

# MATRICE 300 RTK

DISCLAIMER AND SAFETY GUIDELINES

免责声明和安全操作指引

免責聲明與安全指導方針

免責事項および安全に関するガイドライン

고지 사항 및 안전 가이드

HAFTUNGSAUSSCHLUSS UND SICHERHEITSVORSCHRIFTEN

RENUNCIA DE RESPONSABILIDAD Y DIRECTRICES DE SEGURIDAD

CLAUSE D'EXCLUSION DE RESPONSABILITÉ ET CONSIGNES DE SÉCURITÉ

LIMITAZIONI DI RESPONSABILITÀ E DIRETTIVE SULLA SICUREZZA

DISCLAIMER EN VEILIGHEIDSRICHTLIJNEN

ISENÇÃO DE RESPONSABILIDADE E DIRETRIZES DE SEGURANÇA

DECLARAÇÃO DE EXONERAÇÃO DE RESPONSABILIDADE E DIRETRIZES DE SEGURANÇA

ОТКАЗ ОТ ОТВЕТСТВЕННОСТИ И РУКОВОДСТВО ПО ТЕХНИКЕ БЕЗОПАСНОСТИ

v1.2 2021.04



## EN Contents

NOTICE	4
Glossary	4
Pre-flight Checklist	4
Disclaimer and Warning	4
Before You Begin	5
Individual Parts	5
Product Care	7
Flight Condition Requirements	7
Flight Modes, Functions and Warnings	7
Compliance with Regulations & GEO Zones	9

## CHS 目录

安全概要	10
调机表	11
飞行前检查列表	12
免责声明与警告	12
使用前须知	12
部件使用须知	12
产品保养	14
飞行条件要求	14
飞行模式和警示	15
法律规范与飞行限制	16

## CHT 目錄

安全總覽	17
調機表	18
飛行前檢查表	19
免責聲明與警告	19
使用前須知	19
零組件使用須知	19
產品保養	21
飛行條件要求	21
飛行模式和警告	22
法律規範與飛行限制	23

## JP 目次

安全についての概要	24
注記	26
用語集	26
フライト前チェックリスト	26
免責事項および警告	26
使用を開始する前に	27
各部品	27
本製品の取り扱い	29
フライトの必須条件	29
フライトモード、機能および注意事項	29
規制および GEO 区域の遵守	31

## KR 목차

안전 지침 요약	32
알림	34
용어집	34
비행 전 체크리스트	34
고지 사항 및 경고	34
시작하기 전에	35
개별 부품	35
제품 관리	37
비행 조건 요구사항	37
비행 모드, 작동 및 경고	37
규정 및 GEO 구역 준수	39

## DE Inhalt

Sicherheitsvorschriften auf einen Blick	40
HINWEIS	42
Glossar	42
Checkliste für die Flugvorbereitung	42
Haftungsausschluss und Warnhinweis	42
Bevor Sie anfliegen	43
Einzelteile	43
Pflege des Produkts	45
Anforderungen an die Flugbedingungen	45
Flugmodi, Funktionen und Warnhinweise	45
Beachtung von Vorschriften und GEO-Zonen	47

## ES Contenido

Seguridad de un vistazo	48
AVISO	50
Glosario	50
Lista de comprobación previa al vuelo	50
Renuncia de responsabilidad y advertencia	50
Antes de comenzar	51

Piezas individuales	51
Cuidado del producto	53
Requisitos de condiciones de vuelo	53
Modos de vuelo, funciones y advertencias	53
Cumplimiento de normativas y zonas GEO	55

## FR Sommaire

Sécurité – Aperçu	56
REMARQUE	58
Glossaire	58
Liste des vérifications avant le vol	58
Clause d'exclusion de responsabilité et mise en garde	58
Avant de commencer	59
Pièces individuelles	59
Entretien du produit	61
Exigences relatives aux conditions de vol	61
Modos de vol, fonctions et avertissements	61
Conformité aux réglementations et aux zones GEO	63

## IT Sommario

Sicurezza in sintesi	64
AVVISO	66
Glossario	66
Elenco dei controlli preliminari	66
Limitazioni di responsabilità e avvertenze	66
Prima di cominciare	67
Componenti	67
Cura del prodotto	69
Requisiti delle condizioni di volo	69
Modalità di volo, funzioni e avvertenze	69
Conformità alle normative e zone GEO	71

## NL Inhoud

Veiligheid in één oogopslag	72
OPMERKING	74
Verklarende woordenlijst	74
Checklist ter voorbereiding van de vlucht	74
Disclaimer en waarschuwing	74
Voordat u begint	75
Azondelijke onderdelen	75
Productonderhoud	77
Vereisten voor vluchtomstandigheden	77
Vliegstanden, functies en waarschuwingen	77
Naleving van regelgeving en voorschriften ten aanzien van	79

## PT Conteúdo

Resumo de segurança	80
ATENÇÃO	82
Glossário	82
Lista de verificação antes do voo	82
Declaração de exoneração de responsabilidade e aviso	82
Antes de começar	83
Peças individuais	83
Cuidados com o produto	85
Requisitos da condição de voo	85
Modos de voo, funções e avisos	85
Conformidade com regulamentos e Zonas GEO	87

## PT-BR Conteúdo

Noções de segurança	88
AVISO	90
Glossário	90
Lista de verificação pré-voo	90
Isenção de Responsabilidade e Advertência	90
Antes de começar	91
Peças individuais	91
Cuidados com o produto	93
Requisitos de condições de voo	93
Conformidade com regulamentos e zonas GEO	95

## RU Содержание

Краткий обзор правил техники безопасности	96
ПРИМЕЧАНИЕ	98
Обозначения	98
Предполетная проверка	98
Отказ от ответственности и предупреждение	98
Перед началом эксплуатации	99
Отдельные компоненты	99
Уход за устройством	101
Требования к условиям полета	102
Режимы полета, функции и предупреждения	102
Соответствие нормативно-правовым актам и зонам GEO	104

Compliance Information	105
------------------------	-----



# Safety at a Glance

## 1. Environmental Considerations

- Always fly at locations that are clear of building and other obstacles.
- DO NOT fly above or near large crowds.
- Avoid flying at altitudes above 400 feet (120 m)\*.
- Fly in moderate weather conditions with temperatures between -20° to 50°C (-4° to 122°F).
- Please take additional caution when flying indoors as the aircraft stabilization features may experience some interference.
- DO NOT fly when the wind speed exceeds 15 m/s or 33.5 mph. Land the aircraft as soon as possible when the DJI Pilot app prompts you to do so.

## 2. Pre-flight Checklist

- Ensure the remote controller and aircraft batteries are fully charged.
- Ensure the propellers are in good condition and securely tightened before each flight.
- Ensure there is nothing obstructing the motors. Check that the motors are clean and free of stains.
- Check that the camera lens is clean and free of stains.
- Complete the pre-flight checklist displayed in DJI Pilot app. Calibrate the compass and the IMU when the DJI Pilot app or the status indicator prompts you to do so.
- Ensure the GPS satellite number is not less than 6 in the DJI Pilot app.
- Altering or modifying the aircraft's parts may impact its stability. Strictly follow DJI's official instruction to attach compatible external equipment and please ensure that the overall weight of the aircraft does not exceed 9 kg after attachment. Be sure that the external equipment is mounted in the right position as provided in the official instruction to avoid the displacement of the aircraft's center of gravity.
- Ensure the vision system, infrared sensors, FPV cameras and auxiliary lights lens are clean and free of stains or fingerprints, and they are not obstructed by any parts (e.g. load attached).
- Ensure the frame arms are fully unfolded, the frame arms and the landing gears are locked firmly.
- Ensure the rubber plug are inserted firmly when the ports on aircraft and remote controller are not used.
- Make sure that all the cooling fans of the aircraft are free of foreign objects, and there is no obstruction on the air intake and the air vent. Also make sure that the fans work without any abnormal noise.

## 3. IP45 Protection Rating

- Under stable laboratory conditions, the M300 RTK achieves an IP45 protection rating by IEC60529 standards when equipped with TB60 Intelligent Flight Batteries. However, this protection rating is not permanent and may reduce over time after long-term use.
- DO NOT fly when the amount of rainfall exceeds 100 mm / 24 h.
  - DO NOT fold the frame arms in the rain.
  - Make sure the battery ports, battery compartment ports, battery surfaces, and battery compartment surfaces are dry before inserting the batteries.
  - Make sure the battery ports and battery surfaces are free from any liquid before charging the batteries.
  - Before packing the aircraft into the carrying case, ensure that it is free from any liquid by wiping it carefully.
  - Product warranty does not cover water damage.



The DJI™ MATRICE™ 300 RTK (M300 RTK) aircraft is NOT a toy and is not suitable for children under the age of 18. Note that 'Safety at a Glance' only provides a quick overview of the safety tips. Make sure you read and understand the remaining sections of this document.

The aircraft does not achieve IP45 protection rating in the following circumstances:

- Folded frame arms.
- You use batteries other than the M300 RTK's TB60 Intelligent Flight Batteries.
- The cover for the ports are not attached correctly.
- The waterproofing top shell plug is not firmly attached to the top shell.
- The aircraft is broken due to various reasons, such as broken aircraft shell, failure of the waterproof adhesive, etc.

## 4. Operation

- DO NOT fly the aircraft from a moving vehicle.
- To avoid affecting the motor service life, do not take off or land the aircraft on sandy or dusty areas.
- Stay away from the rotating propellers and motors.
- Maintain visual line of sight of your aircraft at all times.
- To stop the motors mid-flight, pull both remote controller sticks to the bottom inner corner or bottom outside corner.
- Stopping the motors mid-flight will cause the aircraft to crash. The motor can only be stopped mid-flight when the flight controller detects critical error.
- While the aircraft is equipped with advanced technology, the pilot's sound discretion is required during the flight. Safety and flight assistance features such as obstacle avoidance, precise landing, and landing protection, are designed to assist your operation, not to replace it. Environmental conditions including lighting and obstacle's texture may impact the performance of the Vision System.
- DO NOT answer incoming calls, text messages or use any other features of your mobile devices that may distract you from operating your aircraft during flight. DO NOT fly under the influence of alcohol or drugs.
- DO NOT fly closely above reflective surfaces such as water or snow, as these terrains may affect the performance of the Vision System.
- In the instance of a Low Battery Warning, land the aircraft immediately at a safe location.
- During the Failsafe Return to Home procedure, the aircraft will not be able to avoid the obstacles if the light condition is not good. You can quit the Return to Home procedure and operate the aircraft when the remote controller signal is obtained again. Ensure to set an appropriate Failsafe altitude before each flight.
- After landing, first stop the motor, then turn off the Intelligent Flight Battery, and then turn off the remote controller.
- While with advanced technology, the DJI Pilot app's sound discretion is required during the flight. Safety and flight assistance features such as obstacle avoidance, precise landing, and landing protection, are designed to assist your operation, not to replace it. Environmental conditions including lighting and obstacle's texture may impact the performance of the Vision System. Please set the Return to Home Altitude higher than surrounding obstacles in the DJI Pilot app.
- Landing protection (detects if the ground is suitable for landing at an altitude of 2 meters above the ground) is used to optimize the operation experience. Always be alert when in control of the aircraft as the vision system may be disabled in certain situations (e.g. dim lighting or unclear obstacle surface patterns), and ground surface detection may fail.

\* The flying altitude restriction varies in different jurisdictions. DO NOT fly above the maximum altitudes set forth in your local laws and regulations.

## 5. Maintenance and Upkeep

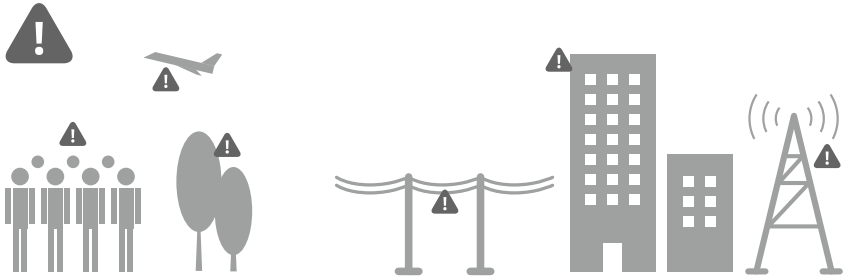
- DO NOT use aged, chipped or broken propellers.
- It is recommended to store the aircraft and the batteries in a cool and dry place with temperatures between 22° and 30° C (71° and 86° F), and avoid exposure to direct sunlight.
- Refer to the Intelligent Flight Battery Safety Guidelines for more information about safe use of the battery.

aviation authorities for a complete lists and regulations of GEO Zones.

- The flight altitude restriction varies in different jurisdictions. DO NOT fly above the maximum altitudes set forth in your local laws and regulations.
- Avoid flying in areas where rescue teams are actively using the airspace.

## 6. Observe Local Laws and Regulations

- DO NOT fly in the GEO Zones. You can find relevant information of these areas at <http://fllysafe.dji.com/>. Please check with local

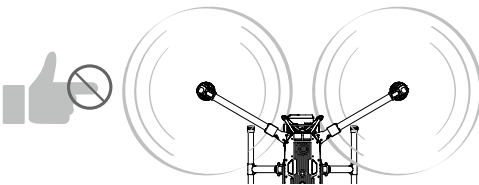


Avoid flying over or near crowds, trees or airports.

Strong electromagnetic sources such as power lines, base stations, and tall buildings may affect the onboard compass. Always stay alert about surroundings in flight.



DO NOT use the aircraft in adverse weather conditions such as rain, snow, fog and wind speeds exceeding 15 m/s or 33.5 mph.



Stay away from the rotating propellers and motors.



Learn more at:  
<https://fllysafe.dji.com>

## NOTICE

All instructions and other collateral documents are subject to change at the sole discretion of SZ DJI TECHNOLOGY CO., LTD ("DJI"). For up-to-date product information, visit <http://www.dji.com> and check on the product page.

## Glossary

The following terms are used throughout this document literature to indicate various levels of potential harm when operating this product:

**NOTICE** Procedures, which if not properly followed, create a possibility of physical property damage AND a little or no possibility of injury.

**CAUTION** Procedures, which if not properly followed, create the probability of physical property damage AND a possibility of serious injury.

**WARNING** Procedures, which if not properly followed, create the probability of property damage, collateral damage, and serious injury OR create a high probability of serious injury.



### WARNING

**Read the ENTIRE user manual to become familiar with the features of this product before operation. Failure to operate the product as instructed by the user manual may result in damage to the product or personal property and cause serious injury. This is a sophisticated product. It must be operated with caution and common sense and requires some basic mechanical ability. Failure to operate this product in a safe and responsible manner could result in injury or damage to the product or other property. This product is not intended for use by children. DO NOT use incompatible components or alter this product in any way unless otherwise allowed by relevant documents provided by SZ DJI TECHNOLOGY CO., LTD. These Safety Guidelines contain instructions for safety, operation and maintenance. It is important to read and follow all of the instructions and warnings in the user manual, prior to assembly, setup or use, in order to operate the product safely and avoid damage or serious injury.**

AGE RECOMMENDATION: NOT FOR CHILDREN UNDER THE AGE OF 18. THIS IS NOT A TOY.

## Pre-flight Checklist

1. Ensure that you are using only genuine parts and that all parts are in mint condition.
2. Ensure the remote controller, Intelligent Flight Battery, and mobile device are fully charged.
3. Ensure that there is no foreign object stuck to the camera lens, the microSD card has been inserted into the gimbal camera, and the gimbal can rotate freely before powering it on.
4. Ensure the propellers and mounting screws are securely mounted onto the motors, and the motors can start and function normally.
5. Follow the on-screen instructions to calibrate the compass.
6. Ensure the DJI Pilot app and aircraft's firmware have been upgraded to the latest version.
7. Ensure that your flight area is outside the GEO Zones and flight conditions are suitable for flying the aircraft.
8. Be sure that you are NOT flying under the influence of alcohol, drugs or any substance that may impair your cognitive abilities.
9. Be familiar with the selected flight mode and understand all safety functions and warnings.
10. Be sure to observe all local regulations, obtain appropriate authorizations, and understand the risks. REMEMBER: It is solely your responsibility to comply with all applicable regulations.
11. Please MAINTAIN VISUAL LINE OF SIGHT (WITH YOUR EYES) OF YOUR AIRCRAFT AT ALL TIMES. Please DO NOT only rely on first person view camera to control your aircraft.
12. Ensure the DJI Pilot app is properly launched to assist your operation of the aircraft. Without the flight data recorded by the DJI Pilot app, in certain situations (including the loss of your aircraft) DJI may not be able to provide aftersales support to you or assume liability.

13. When flying with a payload, always test the hovering performance of the aircraft. Make sure the total take-off weight does not exceed the normal specification. Take off the aircraft without any strong mechanical vibration of the aircraft, electromagnetic interference, or obstruction of the vision system or infrared sensors.
14. Ensure the vision system, infrared sensors, FPV cameras and auxiliary lights lens are clean and free of stains or fingerprints, and they are not obstructed by any parts (e.g. load attached).
15. Ensure the frame arms are fully unfolded, the frame arms and the landing gears are locked firmly.
16. Ensure the rubber plug are inserted firmly when the ports on aircraft and remote controller are not used.
17. Make sure that all the cooling fans of the aircraft are free of foreign objects, and there is no obstruction on the air intake and the air vent. Also make sure that the fans work without abnormal noise.

## Disclaimer and Warning

This product is NOT a toy and is not suitable for children under the age of 18. Adults should keep the aircraft out of the reach of children and exercise caution when operating this aircraft in the presence of children.

While the product adopts advanced technology, inappropriate use of the product could result in personal injury or property damages. Please read the materials associated with the product before your first use of the product. These documents are included in the product package and are also available online on the DJI product page at <http://www.dji.com>.

The information in this document affects your safety and your legal rights and responsibilities. Read this entire document carefully to ensure proper configuration before use. Failure to read and follow the instructions and warnings in this document may result in product loss, serious injury to you, or damage to your aircraft.

By using this product, you hereby signify that you have read this disclaimer carefully and that you understand and agree to abide by the terms and conditions herein. EXCEPT AS EXPRESSLY PROVIDED IN DJI AFTER-SALES SERVICE POLICIES AVAILABLE AT ([HTTP://WWW.DJI.COM/SERVICE/POLICY](http://www.dji.com/service/policy)), THE PRODUCT AND ALL MATERIALS, AND CONTENT AVAILABLE THROUGH THE PRODUCT ARE PROVIDED "AS IS" AND ON AN "AS AVAILABLE" BASIS, WITHOUT WARRANTY OR CONDITION OF ANY KIND, EITHER EXPRESS OR IMPLIED. DJI DISCLAIMS ALL WARRANTIES OF ANY KIND, EXCEPT AS EXPRESSLY PROVIDED IN DJI AFTER-SALES SERVICE POLICIES, WHETHER EXPRESS OR IMPLIED, RELATING TO THE PRODUCT, PRODUCT ACCESSORIES, AND ALL MATERIALS, INCLUDING: (A) ANY IMPLIED WARRANTY OF MERCHANTABILITY, FITNESS FOR A PARTICULAR PURPOSE, TITLE, QUIET ENJOYMENT, OR NON-INFRINGEMENT; AND (B) ANY WARRANTY ARISING OUT OF COURSE OF DEALING, USAGE, OR TRADE. DJI DOES NOT WARRANT, EXCEPT AS EXPRESSLY PROVIDED IN DJI LIMITED WARRANTY, THAT THE PRODUCT, PRODUCT ACCESSORIES, OR ANY PORTION OF THE PRODUCT, OR ANY MATERIALS, WILL BE UNINTERRUPTED, SECURE, OR FREE OF ERRORS, VIRUSES, OR OTHER HARMFUL COMPONENTS, AND DO NOT WARRANT THAT ANY OF THOSE ISSUES WILL BE CORRECTED.

NO ADVICE OR INFORMATION, WHETHER ORAL OR WRITTEN, OBTAINED BY YOU FROM THE PRODUCT, PRODUCT ACCESSORIES, OR ANY MATERIALS WILL CREATE ANY WARRANTY REGARDING DJI OR THE PRODUCT THAT IS NOT EXPRESSLY STATED IN THESE TERMS. YOU ASSUME ALL RISK FOR ANY DAMAGE THAT MAY RESULT FROM YOUR USE OF OR ACCESS TO THE PRODUCT, PRODUCT ACCESSORIES, AND ANY MATERIALS. YOU UNDERSTAND AND AGREE THAT YOU USE THE PRODUCT AT YOUR OWN DISCRETION AND RISK, AND THAT YOU ARE SOLELY RESPONSIBLE FOR ANY PERSONAL INJURY, DEATH, DAMAGE TO YOUR PROPERTY (INCLUDING YOUR COMPUTER SYSTEM OR MOBILE DEVICE OR DJI HARDWARE USED IN CONNECTION WITH THE PRODUCT) OR THIRD PARTY PROPERTY, OR THE LOSS OF DATA THAT RESULTS FROM YOUR USE OF OR INABILITY TO USE THE PRODUCT.

SOME JURISDICTIONS MAY PROHIBIT A DISCLAIMER OF WARRANTIES AND YOU MAY HAVE OTHER RIGHTS THAT VARY FROM JURISDICTION TO JURISDICTION.

DJI accepts no liability for damage, injury or any legal responsibility incurred directly or indirectly from the use of this product. The user shall observe safe and lawful practices including, but not limited to, those set forth in these Safety Guidelines.

## Data Storage and Usage

When you use our mobile app or our products or other software, data regarding the use and operation of the product, such as flight telemetry data (e.g., speed, altitude, battery life, and information about the gimbal and camera) and operations records, may be provided to DJI. The internal storage device incorporated into the product stores various types of data, including flight telemetry data. You may also provide flight telemetry data and other data to us when you manually transmit that information from the internal storage device to us.

Please refer to DJI Privacy Policy (available at <http://www.dji.com/policy>) for more information.

## Before You Begin

This product is an aircraft that offers easy flight when in good working order as set forth below. Visit <http://www.dji.com> for the most current instructions and warnings and <http://knowbeforeyoufly.org/> for more information about flight safety and compliance.

The following documents have been produced to help you safely operate and make full use of your aircraft:

In the Box  
Disclaimer and Safety Guidelines  
Intelligent Flight Battery Safety Guidelines  
Quick Start Guide  
User Manual

Check all of the included parts listed in the In the Box document and read the Disclaimer and Safety Guidelines before flight. Then prepare for your first flight by using the Quick Start Guide and watching all of the tutorial videos on DJI's official website (<http://www.dji.com>). If you have questions, refer to the User Manual in the app or on DJI's official website for more comprehensive information. Make sure you fully understand the functionality of each individual part, the flight condition requirements, the key contingency warning functions/systems, and all government regulations before each flight. If you have any questions or problems during the assembly, maintenance or use of this product, please contact DJI or a DJI authorized dealer.

## Individual Parts

### Regarding Genuine and Functional Parts

#### **⚠ WARNING**

To avoid component malfunction, serious injury, and property damage, observe the following rules:

1. Use only genuine DJI parts or parts certified by DJI. Unauthorized parts or parts from non-DJI certified manufacturers may cause system malfunctions and compromise safety.
2. Ensure there are no foreign objects (such as water, oil, soil, sand, etc.) inside of the aircraft or its components.
3. Ensure the aircraft and its components – including but not limited to the remote controller, camera, gimbal, compass, propulsion system, and battery – are all in good working order, damage free, and functioning well. Refer to the remaining sections in this document for more details on how to ensure the functionality of these components.
4. DO NOT modify or alter the aircraft, its components, and parts. Unauthorized modification may cause malfunctions and affect the aircraft's functionality and safety.
5. Make sure that all the cooling fans of the aircraft are free of foreign objects, and there is no obstruction on the air intake and the air vent.
6. All the accessories that would be used together with M300 RTK, including but not limited to gimbals, CSM Radar, should only be used with the aircraft. Users take full responsibility for the damages caused by the accessories that have been used with other non-official products.
7. DO NOT use non-DJI cable to connect the aircraft ports, which may cause system malfunctions and compromise safety.

## Video Transmission System

#### **NOTICE**

1. Only enable "Custom" mode under the guidance of professionals. Otherwise, the video transmission signal may lag or even get lost due to interference.

## Remote Controller

#### **NOTICE**

1. Fully charge the Smart Controller before each flight.
2. If the Smart Controller is turned on and the Touch Screen is off for five minutes, an alert sound will be triggered. Ten seconds after the alert sound, the Smart Controller will automatically power off. Move the sticks or perform some other action to cancel the alert.
3. Ensure the antennas are unfolded and adjusted to the proper position to achieve the optimal transmission quality.
4. Contact DJI support to repair or replace the antennas if they are damaged. Damaged antennas will greatly decrease performance.
5. Link the Smart Controller and the aircraft again if you change the aircraft.
6. Ensure to power off the aircraft before the Smart Controller.
7. Fully charge the Smart Controller every three months.
8. Immediately charge the Smart Controller when its power level decreases to 10% to prevent the Smart Controller from damage due to over discharge for an extended period. Discharge the Smart Controller to a power level between 40% and 60% if stored for an extended period.
9. DO NOT cover the air vent on the Smart Controller. Otherwise, the Smart Controller may become too hot, which could affect its performance.
10. DO NOT disassemble the Smart Controller without the assistance of a DJI authorized dealer. Always contact DJI or a DJI authorized dealer to replace the Smart Controller's components.
11. DO NOT block the built-in GPS. In cases where the DJI Smart Controller Enterprise Screen Mounting Bracket (hereinafter referred as "Mounting Bracket") is installed, remove it and try again if GPS signal is poor.
12. To avoid wear and tear of the Stick Covers, DO NOT disassemble the sticks on a frequent basis.

## Compass

#### **CAUTION**

To avoid possible serious injury and property damage, observe the following rules:

1. Land immediately when obvious drifting occurs in flight.
2. DO NOT fly in an environment with strong electromagnetic interference or space with lots of obstruction.
3. If the DJI Pilot app prompts for compass calibration before takeoff, please take off after calibration in an environment without electromagnetic interference.

#### **NOTICE**

Only calibrate the compass when the DJI Pilot app or the status indicator prompt you to do so. Observe the following rules when calibrating your compass:

1. DO NOT calibrate your compass where there is magnetic interference, such as interference by magnetite, parking structures, or steel reinforcements underground.
2. DO NOT carry ferromagnetic materials with you during calibration such as cellular phones.
3. The DJI Pilot app will prompt you to resolve the compass issue if the compass is affected by strong interference after calibration is complete. Follow the prompted instructions to resolve the compass issue.

## Propulsion Systems

#### **⚠ WARNING**

To avoid serious injury to yourself or others, which may be caused by the rotating propellers and motors, observe the following rules:

### Propellers

1. DO NOT use aged, chipped, or broken propellers.
2. Always power off the aircraft before touching the propellers.
3. Be aware of the sharp edges of the propellers when mounting or removing the propellers. Wear gloves or take other protective measures when touching the propellers.
4. Whenever necessary, use tools (e.g., wrench, screwdriver, pliers, etc.) to remove or install the propellers.
5. Ensure the propellers and mounting screws are securely mounted

to prevent them from falling off the motors.

- DO NOT turn on the motors when propellers are mounted and there are other people or animals in the immediate vicinity.
- Using third-party propellers may compromise the aerodynamics of the aircraft. For a better and safer flight experience, we recommend you to use original DJI propellers only.
- Wipe the propellers to make them dry before each flight where the surrounding temperature is around 0°C (32°F) to avoid the propellers from having frosted.

#### Motors

- Ensure the motors are securely mounted and rotating smoothly.
- Ensure proper installation and that the motor functions normally before each flight. If the the ventilation holes on the motors are blocked, clear them before flight. If the cover is aging, damaged or deformed, please contact DJI or a DJI authorized dealer.
- DO NOT attempt to modify the structure of the motors.
- DO NOT touch or let your hands or body come in contact with the motors after flight as they may be hot.

#### Electronic Speed Controllers

- If required before each flight, follow the app prompts to fix the abnormalities of the electronic speed controllers.
- Please land the aircraft if the DJI Pilot app prompts that there is something wrong with the electronic speed controllers (e.g. over temperature, low voltage or overload).

#### CAUTION

To avoid possible serious injury and property damage, observe the following rules:

- DO NOT block any of the ventilation holes on the motors.
- DO NOT block any of the ventilation holes on the frame arm of the aircraft.

#### NOTICE

#### Motors

- To avoid affecting the motor service life, do not take off or land the aircraft on sandy or dusty areas.
- Keep the motors free of dust and ensure the motor vents are not blocked.
- If a motor is stuck and unable to rotate freely, execute the CSC (Combination Stick Command) to stop the motors immediately.

#### Electronic Speed Controllers

Ensure the electronic speed controllers sound a normal tune when powered on.

#### DJI Pilot App

#### NOTICE

- Be sure to fully charge your tablet or mobile device (if used) before launching the app.
- If you are using a phone as your mobile display device, be sure to continue flying safely when the phone receives an incoming call. DO NOT accept phone calls during flight.
- Mobile cellular data is required when using the DJI Pilot app. Please contact your wireless carrier for data charges.
- Read all prompted safety tips, warning messages, and disclaimers carefully. Be familiar with the related regulations in your area. You are solely responsible for being aware of all relevant regulations and flying in a way that is compliant.
  - Read and understand the warning messages before resetting your Home Point.
  - Read and understand the warning messages and disclaimer before setting the altitude beyond the regulatory limit.
  - Read and understand the warning messages and disclaimer before switching between the flights modes.
- Land your aircraft immediately at a safe location if there is an alert shown on the app.
- Examine and check all warning messages on the checklist displayed in the app prior to each flight.
- Use DJI ASSISTANT™ 2 to practice your flight skills if you have never operated the aircraft or if you DO NOT have sufficient experience to be comfortable operating the aircraft.
- Cache the map data of the area where you intend to fly the aircraft by connecting to the Internet before each flight.

- The app is designed to assist your operation. Please use your sound discretion and DO NOT rely on the app to control your aircraft.
- Your use of the app is subject to the DJI Pilot app Terms of Use and DJI Privacy Policy. Please read them carefully in the app.

#### Firmware

#### WARNING

To avoid serious injury to children and animals, observe the following rule:

- Keep children and animals at a safe distance during any firmware upgrade, system calibration, and parameter setting procedures.

#### NOTICE

- For safety, always update the firmware to the latest version when an upgrade notification is shown in the DJI Pilot app.
- Firmware upgrade notifications will inform about new firmware upgrades. You are required to read and understand the information shown.
- Be sure to update the remote controller's firmware to the latest version after you update the aircraft's firmware.
- The remote controller may become unlinked from the aircraft after updating.
- Be sure to check all connections and remove the propellers from the motors before performing the firmware update.

#### SDK

#### NOTICE

- Before using the DJI SDK, you should agree to the DJI SDK Terms of Use and the DJI Privacy Policy. These Terms of Use and Privacy Policy limit some of DJI's legal responsibilities, please read them carefully at <https://developer.dji.com/policies/>.

#### Camera (Optional)

#### WARNING

To avoid possible serious injury and property damage, observe the following rule:

- DO NOT block any ventilation holes on the camera as the heat generated may hurt you and damage the device.

#### NOTICE

- Before use, check camera settings to make sure they are adjusted to fit your needs.
- Test the camera by shooting a few test images and check that it is operating correctly before shooting important pictures or videos.
- DO NOT remove the microSD card from the gimbal camera when it is powered on. Please use officially recommended microSD cards.
- Be sure to power off the Intelligent Flight Battery correctly, otherwise your camera parameters will NOT be saved and any recorded videos may be damaged.
- Regardless of the reason, DJI will not be responsible for any failure of an image or video to be recorded or having been recorded in a way that is not machine readable.

#### Gimbal (Optional)

#### NOTICE

- Precision elements in the gimbal may be damaged in a collision or impact, which may cause the gimbal to function abnormally.
- DO NOT apply external force to the gimbal after the gimbal is powered on.
- DO NOT add any payloads to the gimbal, as this may cause the gimbal to function abnormally or even lead to motor damage.
- The gimbal and gimbal connector are very delicate. Handle with care and DO NOT touch the gimbal connector, as any damage will cause it to function abnormally.
- Hold the gimbal firmly when detaching or reattaching it, so it does not drop.
- DO NOT attach or remove the gimbal with the aircraft powering on.
- When using multiple-gimbal system, ensure to strictly follow the instructions on the user manual, mounting compatible gimbal cameras correctly.

## Product Care

### Storage and Transportation

#### **⚠️ WARNING**

To avoid serious injury to children and animals, observe the following rule:

1. Small parts, such as cables and straps, are dangerous if swallowed. Keep all parts out of reach of children and animals.

#### **NOTICE**

1. Fully charge and discharge the battery regularly to maintain battery health. Refer to the Intelligent Flight Battery Safety Guidelines for more information about safe use of the battery.
2. DO NOT allow the camera to come into contact with, or become immersed in, water or other liquids. If it gets wet, wipe dry with a soft, absorbent cloth. Turning on an aircraft that has fallen into water may cause permanent component damage. DO NOT use substances containing alcohol, benzene, thinners or other flammable substances to clean or maintain the camera. DO NOT store the camera in humid or dusty areas.
3. Detach the gimbal from the aircraft when storing for a long period of time or transporting over long distances.
4. DO NOT connect this product to any USB interface that is older than version 2.0. DO NOT connect this product to any "power USB" or similar devices.
5. Frame arms and propellers must be folded to the original place during transportation, or the antennas may be damaged. Place the aircraft on the ground gently to avoid damage to the IMU and other parts.

### Maintenance and Upkeep

#### **NOTICE**

1. Please contact DJI recommended service centers for product inspection or repair after any crash or violent impact. Operating damaged aircraft is very dangerous and may cause bodily injury or property damage.
2. Fully charge and discharge the battery regularly to maintain battery health. Refer to the Intelligent Flight Battery Safety Guidelines for more information about safe use of the battery.
3. It is recommended to schedule a maintenance service regularly for flight safety and reliability. Refer to the Intelligent Flight Battery Safety Guidelines for details.
4. Regularly check the Battery Level Indicators to see the current battery level and overall battery life. The battery is rated for 200 cycles. It is not recommended to continue use afterward. Refer to the Intelligent Flight Battery Safety Guidelines for more information about the safe use and maintenance of the battery.
5. Refer to the maintenance manual for information on how to check and maintain the product after using for an extended period in order to keep the product in the best condition possible and reduce potential safety hazards. The frequency of how often maintenance should be performed depends on how often the product is used, but maintenance must be performed at least once every six months. The product can also be sent to DJI for maintenance. Visit <https://enterprise.dji.com/enterprise-maintenance> for more information.
6. Parts of the M300 RTK have a safe life. From the time of first use, wearing parts such as the propeller and gimbal damper have a safe life of 300 hours while the components of the propulsion system have a safe life of 900 hours. There may be potential safety hazards if the product is used after the safe life has passed. DJI is not responsible for any risks that may arise from continuing to use the product.

## Flight Condition Requirements

### Weather Conditions and Surrounding Environment

#### **⚠️ WARNING**

The aircraft is designed to operate in good to moderate weather conditions. To avoid collision, serious injury and property damage, observe the following rules:

1. DO NOT use the aircraft in severe weather conditions. These include heavy wind speeds exceeding 15 m/s, snow, heavy rain, smog, hail, lightning, tornadoes or hurricanes.
2. Keep the aircraft at least 30 feet (10 meters) away from obstacles, people, animals, buildings, public infrastructure, trees, and bodies of

water when in flight. Stay even further away from the above objects as your altitude increases.

3. Be EXTRA cautious when operating the aircraft indoors. Some features of the aircraft, especially the stabilization feature, may be impacted.
4. Be sure to enable the Vision System when flying indoors. Note that the Vision System may NOT work properly when it is flying over water, over surfaces without a clear pattern, or in a dim environment.

#### **NOTICE**

1. Aircraft and battery performance is subject to environmental factors such as air density and temperature.
  - a. DO NOT operate the aircraft when the temperature is outside the range of -20° to 50° C (-4° to 122° F).
2. DO NOT use the aircraft near accidents, fire, explosions, floods, tsunamis, avalanches, landslides, earthquakes, dust, or sandstorms.

### Interference with Communications

#### **NOTICE**

1. Check if any part of the aircraft has been hit or crashed. Contact DJI support or the authorized dealers when needed.
2. Fly in open areas. Tall buildings or steel structures may affect the accuracy of the on-board compass and block the GPS signal.
3. Avoid interference between the remote controller and other wireless equipment. Make sure to turn off the Wi-Fi on your mobile device.
4. Be extremely alert when fly near areas with magnetic or radio interference. These include but are NOT limited to: high voltage lines, large scale power transmission stations or mobile base stations and broadcasting towers. Failing to do so may compromise the transmission quality of this product or cause remote controller and video transmission errors which may affect flight orientation and location accuracy. The aircraft may behave abnormally or go out of control in areas with too much interference.

### Operating the Aircraft Responsibly

#### **⚠️ WARNING**

To avoid serious injury and property damage, observe the following rules:

1. Make sure you are NOT drunk, or under the influence of drugs, anesthesia, or suffering from dizziness, fatigue, nausea or any other conditions, whether physical or mental, that could impair your ability to operate the aircraft safely.
2. Upon landing, power off the aircraft first, then switch off the remote controller.
3. DO NOT drop, launch, fire or otherwise project any dangerous payloads on or at any buildings, persons or animals, or which could cause personal injury or property damage.
4. DO NOT use the aircraft that has been crashed or accidently hit, or the aircraft that is not in good condition.

#### **NOTICE**

1. Make sure you have been sufficiently trained and are fully aware of any contingency plans before accidents happen.
2. Make sure you have a flight plan and never fly the aircraft recklessly.
3. Respect the privacy of others when using the camera. Make sure you comply with local privacy laws, regulations, and moral standards.
4. DO NOT use this product for any reason other than general personal use. DO NOT use it for any illegal or inappropriate purpose (such as spying, military operations, or unauthorized investigations).
5. DO NOT use this product to defame, abuse, harass, stalk, threaten or otherwise violate the legal rights (such as the right of privacy and publicity) of others.
6. DO NOT trespass into private property of others.

## Flight Modes, Functions and Warnings

### Flight Modes

#### **⚠️ WARNING**

DO NOT switch from P-mode to either S-mode or T-mode unless you are

sufficiently familiar with the aircraft's behavior under each flight mode. You must turn on the "Multiple Flight Modes" setting in the app before you can switch from P-mode to other modes.

The aircraft will automatically enter Attitude mode when both of the following conditions are met: (1) the vision system is unavailable and (2) either there is weak GPS signal or the compass experiences interference.

In Attitude mode, the Vision System and some advanced features are disabled. Therefore, the aircraft cannot position or auto-brake in this mode and is easily affected by its surroundings, which may result in horizontal shifting. Use the remote controller to position the aircraft.

Maneuvering the aircraft in Attitude mode can be difficult. Before shifting the aircraft into Attitude mode, make sure you are comfortable flying in this mode. DO NOT fly the aircraft too far away as you might lose control and cause a potential hazard.

Avoid flying in areas where GPS signal is weak, or in narrow and confined spaces. The aircraft will otherwise be forced to enter Attitude mode, leading to potential flight hazards, please land it in a safe place as soon as possible.

#### NOTICE

P-mode is preferred for most flight scenarios. When flying in other modes, take EXTRA precautions because some features will NOT be available. When flying in Attitude mode, take EXTRA precautions because some features are NOT available in Attitude mode. When flying indoors, the aircraft cannot perform precision hovering when flying above the surfaces that do not have a clear pattern. Refer to the "Vision System and Infrared Sensing System" section for complete indoor flying criteria.

1. P-mode (Positioning): P-mode works best when the GPS signal is strong. The aircraft utilizes the GPS and Vision System to automatically stabilize itself.
2. S-mode (Sports): S-mode is identical to P-mode in terms of flight controller settings, except that the handling gain values of the aircraft are adjusted in order to enhance the maneuverability of the aircraft. The maximum flight speed of the aircraft is increased in this mode.
3. T-mode (Tripod): T-mode is based on P-mode but with a limited flight speed, which makes the aircraft movement more easily controlled.

## Return to Home

#### NOTICE

1. The Return to Home function may be affected by the weather, the environment, or any nearby magnetic fields.
2. Make sure to operate the aircraft within the transmission range of the remote controller.
3. Press the RTH (Return to Home) Button on the remote controller to initiate the Return to Home process instead of turning off the remote controller. And the aircraft will fly to the latest recorded home point.
4. During flight, if the aircraft is flying over extremely dark (< 15 lux) or bright (> 10,000 lux) surfaces, it will not be able to avoid obstacles. DO NOT rely on the vision system and always be alert when in control of the aircraft. Control the aircraft by yourself if necessary or press the RTH Button to stop the aircraft from returning to home.
5. Tall buildings may adversely affect the Failsafe function. Therefore, it is important to set an appropriate Failsafe altitude before each flight. Please adjust the aircraft altitude while returning home.
6. The Return to Home feature will NOT work if the GPS signal is insufficient (GPS signal less than three bars) or if GPS is not active.
7. In the event of loss of the remote controller's signal and the GPS signal is weak, if the aircraft cannot detect the Home Point, the aircraft will hover for 8 seconds and then auto-land if it is in "P" mode.
8. If the battery life so allows, the aircraft may first return to the last position where it had connection with the remote controller during the Failsafe RTH. As a result, you may observe the aircraft first flying away from you, then returning to the home point.

## Low Battery

#### NOTICE

1. When the Critical Battery Level Warning activates and the aircraft is descending automatically, you may push the throttle up to maintain

the aircraft's altitude and navigate it to a more appropriate location for landing.

2. When battery warnings are triggered, promptly bring the aircraft back to the Home Point or land to avoid losing power during flight and causing damage to the aircraft, property, animals, and people.

## D-RTK 2

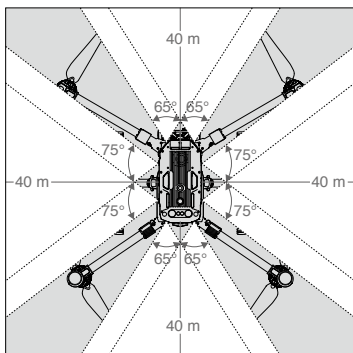
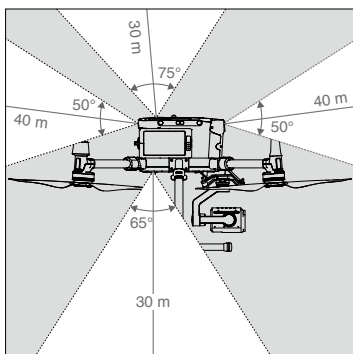
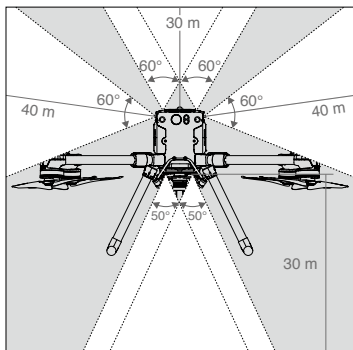
#### NOTICE

1. Only use genuine DJI parts or parts certified by DJI. Unauthorized parts or parts from non-DJI-certified manufacturers may cause the system to malfunction and compromise safety.
2. Operate in an open environment free from radio interference.
3. DO NOT obstruct any D-RTK 2 antennas.

## Vision System and Infrared Sensing System

#### NOTICE

1. The Vision System will work properly at a height reaching up to 30 meters over surfaces that have clear pattern variations. The vision system cannot work when the aircraft is flying fast at altitudes below 0.5 meters.
2. The Vision System may NOT function properly when the aircraft is flying over water. DO NOT rely too much on the vision system, and operate the aircraft cautiously.
3. The Vision System may NOT function properly when in any of the following situations:
  - a. Flying over monochrome surfaces (e.g., pure black, pure white, pure red, pure green) or without clear texture.
  - b. Flying over highly reflective surfaces.
  - c. Flying over water or transparent surfaces.
  - d. Flying over moving surfaces or objects (e.g. above moving people, waving reeds, shrubs and grass).
  - e. Flying in an area where the lighting changes frequently or drastically, or in an area where there is excessive exposure to direct, strong lighting.
  - f. Flying over extremely dark (< 15 lux) or bright (> 10,000 lux) surfaces.
  - g. Flying at high speeds (over 14m/s at 2 meters or over 5m/s at 1 meter).
  - h. Tiny obstacles.
  - i. The lens is dirty (e.g., due to raindrops, fingerprints, etc.).
  - j. Scenes with low visibility (e.g., heavy fog).
4. The Infrared Sensing System may NOT provide an accurate distance when in any of the following situations:
  - a. Flying over surfaces that can absorb sound waves (e.g., pure black matt objects).
  - b. There is a large area of strong reflectors beyond 15m (for example, multiple traffic signs are placed side by side).
  - c. Tiny obstacles
  - d. Mirror or transparent objects (such as mirrors, water, and glass).
5. Vision System calibration is required if the aircraft suffers from crashing. Calibrate the Vision System if the DJI Pilot app prompts you to do so.
6. Avoid flying in rainy and foggy weather or other surroundings with low visibility (visibility below 100 m).
7. Keep the sensors of the Vision System and Infrared Sensing System clean at all times.
  - a. Remove the surface film, stickers and other obstructions.
  - b. If there are water drops, fingerprints, dirt, etc., please wipe them clean first (please use a clean cloth, not organic solvents such as alcohol).
  - c. If the surface glass is dropped, broken, scratched, worn, etc., please contact DJI after-sales or local dealer.
8. DO NOT hang or place anything in an area that will block the Vision System, Infrared Sensing System and their observation range.
9. Do not interfere with the Vision System and Infrared Sensing System in any way (for example, using a strong light source to illuminate the Vision System or using specular reflectors towards the infrared sensor), and ensure that the sensor lens is clear and free of stains.
10. The Vision System and Infrared Sensing System are not able to brake and stop the aircraft at a safe distance from an obstacle if the aircraft altitude angle is larger than 25 degrees or the speed exceeds 17 m/s.
11. Please be mindful of blind spots (grey) of the Vision System and Infrared Sensing System. Infrared sensor observation range is 8 m.



## Compliance with Regulations & GEO Zones

### Regulations

#### **⚠ WARNING**

To avoid non-compliant behavior, serious injury, and property damage, observe the following rules:

- DO NOT operate in the vicinity of manned aircraft, regardless of altitude. Land immediately if necessary.
- DO NOT fly the aircraft in areas where large events are being held, including but not limited to sporting events and concerts.
- DO NOT fly the aircraft in areas prohibited by local laws.
- DO NOT fly the aircraft above the authorized altitude. Remain well clear of and DO NOT interfere with manned aircraft operations. Be aware of and avoid other aircraft and obstacles at all times.

#### **CAUTION**

To avoid, serious injury and property damage, observe the following rules:

- DO NOT fly the aircraft near or inside GEO Zones specified by local laws and regulations. The GEO Zone list includes: airports, borders between two sovereign countries or regions, major cities / regions, etc., and is continuously updated.
- DO NOT fly the aircraft above the authorized altitude.
- ALWAYS keep your aircraft within visual line of sight (VLOS), and use an observer to assist if needed.
- NEVER use the aircraft to carry illegal or dangerous goods/payloads.

#### **NOTICE**

- Make sure you understand the nature/type of your flight operation (such as for recreation, for public use, or for commercial use) and have obtained corresponding approval and clearance from the related government agencies before flight. Consult with your local regulators for comprehensive definitions and specific requirements. For users operating their aircraft in the United States, please first visit <http://www.knowbeforeyoufly.org/> and take action appropriate to your circumstances.
- Please note that remote-controlled aircraft may be banned from conducting commercial activities in certain countries and regions. Check and follow all applicable laws and ordinances before flying as those rules may differ from those stated here.
- DO NOT fly around sensitive infrastructure or property such as power stations, water treatment facilities, correctional facilities, heavily traveled roadways, government facilities, military zones, etc.
- Respect the privacy of others when using the camera. DO NOT conduct surveillance operations such as image capture or video recording on any person, entity, event, performance, exhibition, and property without authorization or where there is an expectation of privacy, even if the image or video is captured for personal use.
- Please be advised that in certain areas, the recording of images and videos from events, performances, exhibitions, or commercial properties by means of a camera may contravene copyright or other legal rights, even if the image or video was shot for personal use.

### Flight Restrictions

#### **NOTICE**

DJI takes flight safety seriously, and has therefore developed various aids to help users fly more safely. These aids do not guarantee that you are compliance with all applicable laws, regulations, and temporary flight restrictions. You are solely responsible for your behavior when flying a DJI aircraft.

It is recommended to update the firmware to the latest version to ensure the following features are fully updated:

#### GEO Zones

- All GEO Zones are listed on the DJI official website at <http://www.dji.com/flysafe>. GEO Zones are divided into different categories and include but are not limited to locations such as airports, flying fields where manned aircraft operate at low altitudes, borders between countries, sensitive locations such as power plants, and areas where major events are being held.
- Flight restrictions vary by zone. Depending on the restrictions in a particular zone, warnings may appear in the DJI Pilot app, takeoff may be forbidden, the flight altitude may be limited, or the aircraft may take action automatically such as landing automatically.
- Functions related to flying actions will be affected to some extent when the aircraft is near or inside a GEO Zone. These effects include but are not limited to: the aircraft may slow down, it may not be possible to create a flight task, and a flight task in progress may be interrupted.
- Operating with the GEO Zones restrictions does not guarantee your compliance with all applicable laws, regulations, and temporary flight restrictions. Consult with your lawyer or local authorities to ensure your compliance.

#### Altitude Limit

- Fly NO higher than 120 meters (400 feet) above ground level and stay away from any surrounding obstacles. Legal maximum flight altitude may be lower according to your local laws and regulations. Please strictly follow all applicable laws.
- If you intend to fly above the default altitude limit, you are required to accept the prompted disclaimer to enable the new altitude limit.



## 安全概要

### 1. 环境

- 在远离人群和建筑物的开阔场地飞行。
- 在 -20 至 50°C，建议于天气良好（非下雨，刮风，或极端天气）的环境中飞行。
- 在合法区域飞行，详见第 6 条。
- 室内飞行时请特别小心，部分功能可能无法使用。
- 飞行器仅能承受 15 米 / 秒以下风速，当风速大于等于 15 米 / 秒时，请勿飞行。如遇大风请根据 DJI Pilot App 提示，及时降落。

### 2. 检查

- 确保各设备的电量充足。
- 确保螺旋桨无破损且安装牢固。
- 确保飞行器电机清洁无损。
- 确保相机镜头清洁完好。
- 根据 DJI Pilot App 提示进行飞行前检查，必要时进行指南针校准和 IMU 校准。
- 确认 DJI Pilot App 上显示搜星达到至少 6 颗以上。
- 切勿自行对飞行器的零配件进行改装。务必严格按照官方要求安装符合规格的外接设备，并确保安装后飞行器重量不超过 9 kg。外接设备的安装位置务必合理，确保飞行器重心平稳。
- 确保整机的视觉、红外传感器、FPV 摄像头镜头和补光灯镜片无异物、脏污或指纹等，并不被机身上的负载等结构遮挡。
- 充分展开各机臂，并确保机臂和起落架套筒锁定到位。
- 确保对外接口在不使用时，保护胶塞扣紧到位。
- 确保飞行器所有散热风扇无异物、进出风口无遮挡，开启电源后风扇工作无异响。

### 3. IP45 防护等级

M300 RTK 飞行器配合专用电池（TB60）使用，在受控实验室条件下测试，可达到 IEC60529 标准下 IP45 防护等级。防护等级并非永久有效，可能会因长期使用导致磨损而下降。

- 请勿在雨量大于 100 mm / 24 小时的情况下飞行；
- 请勿在雨中折叠机臂；
- 飞行前，请确认电池接口、电池仓接口、电池表面、电池仓表面干燥无水，再将电池插入机身；
- 请确保电池接口及电池表面干燥无水，再对电池进行充电；
- 请将机身表面擦拭干净，确保无水滴后，再放入包装；
- 由于浸入液体而导致的损坏不在保修范围之内。

以下几种情况不具备 IP45 防护等级：

- 机臂呈折叠状态；
- 未使用 M300 RTK 专用 TB60 电池；
- 接口保护盖未安装到位；
- 上盖防水胶塞松动；
- 机身出现其他可能的破损，如外壳开裂、防水胶失效等。

### 4. 操作

- 请勿在正处于运动的载具上起架起飞。
- 起降时请避开沙土路面，否则影响电机使用寿命。



使用 DJI™ MATRICE™ 300 RTK (M300 RTK) 飞行器具有一定安全风险，不适用于未满 18 岁的人士使用。安全概要仅包含部分飞行安全知识，请务必仔细阅读《免责声明和安全操作指引》和《用户手册》的全部内容。

- 切勿靠近工作转动中的螺旋桨和电机。
- 在视距内飞行（VLOS）。
- 空中停止电机方式：向内或向外同时拨动左右两个摇杆。
- 空中停止电机将会导致飞行器坠毁。仅当飞行器在空中检测到严重故障时，才可执行以上动作以紧急停机。
- 飞行过程中请勿拨打电话、发送短信，或使用其他可能干扰您操作飞行器的移动设备功能。切勿在神态受到酒精或药物的影响下操作飞行器。
- 飞行器依靠视觉定位飞行时注意避开水面或雪地等镜面反射区域。
- 低电量警示时请尽快返航。
- 在失控返航过程中，若光照条件欠佳时，飞行器将不能自主躲避障碍物，如果遥控信号恢复正常，可退出返航模式再通过遥控器控制飞行。请确保在飞行前将返航高度设置得高于周围最高障碍物的高度。
- 降落后先关闭飞行器再关闭遥控器，以免造成遥控器信号丢失，启动返航模式。请确保电机完全停机后再关闭飞行器和遥控器电源。
- 请全程保持对飞行器的控制，切勿完全依赖视觉系统和红外感知系统及 DJI Pilot App 提供的信息。在特定飞行模式下或特定飞行环境中，视觉系统和红外感知系统将无法正常工作，主动刹车等功能将不可用。请依靠肉眼观察，合理判断飞行状况，及时躲避障碍物，并根据飞行环境设置相应飞行及返航高度。
- 降落保护功能旨在帮助用户减少误操作，以优化用户操控体验。但是在特定飞行环境中（如光线不好），视觉系统或无法正常工作，且地表检测存在一定的误检概率，因此，切勿完全依赖系统功能，请务必全程保持对飞行器的控制并对飞行安全负责。

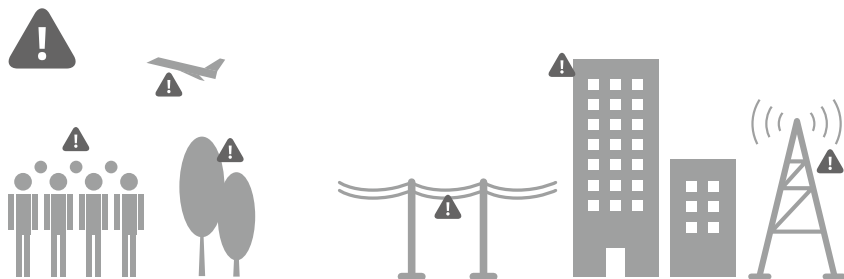
### 5. 保养

- 请在每一次飞行前检查并及时更换变形或破损的螺旋桨。
- 飞行器与智能飞行电池理想的保存温度为 22°C 至 30°C 阴凉干燥的室温，并避免阳光照射。
- 智能飞行电池需定期重新充放电以保持电池活性，其他智能飞行电池保养事宜详见《智能飞行电池安全使用指引》。

### 6. 限飞与当地法规

- 严禁在限飞区域中飞行。浏览该地址 <http://flysafe.dji.com/> 以获取 DJI 建议的限飞区域列表。
- 控制飞行高度在 120 米以下\*，飞行时需严格遵守当地法律法规。
- 如果周围有航班等飞行器经过，请避开此空域。

\* 各国/地区的限飞高度有所不同，请联系当地的航空管理部门了解实际限高。

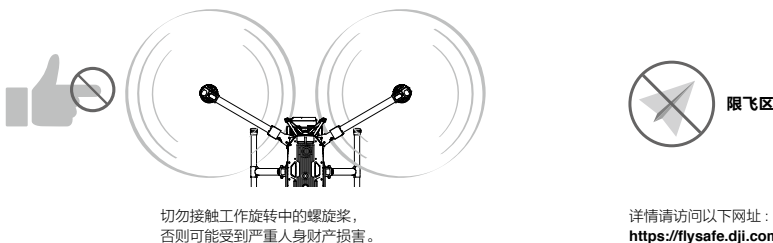


飞行时请远离人群、树木和机场。

无线电发射塔、高压线、变电站、高大建筑物以及具有磁性的大块金属可能会对遥控器信号及指南针产生干扰，飞行时务必注意安全。



下雨、大雾、下雪、雷电、大风（风速每秒 15 米及以上）等天气请勿飞行。



## 词汇表

本产品使用以下词条对因操作不当可能带来的潜在危险等级加以说明。

**注意** 如果不遵循说明进行操作，可能会导致财产损失和轻微伤害。

**小心** 如果不遵循说明进行操作，可能会导致财产损失和较严重伤害。

**危险** 如果不遵循说明进行操作，可能会导致财产损失、重大事故和严重伤害。



### 警告

通过阅读整个用户手册，熟悉产品的功能之后再进行操作。如果没有正确操作本产品可能会对自身或他人造成严重伤害，或者导致产品损坏和财产损失。本产品较为复杂，需要经过一段时间熟悉后才能安全使用，并且需要具备一些基本常识后才能进行操作。如果没有强烈的安全意识，不恰当的操作可能会导致产品损坏和财产损失，甚至对自身或他人造成严重伤害。本产品不适合儿童使用。切勿使用非 DJI 提供或建议的部件，必须严格遵守 DJI 的指引安装和使用产品。本指引文档包含安全、操作和维护等说明。在进行组装、设置和使用之前务必仔细阅读用户手册中的所有说明和警告。

## 飞行前检查列表

1. 仅使用 DJI 正品部件并保证所有部件工作状态良好。
2. 确保遥控器、智能飞行电池以及移动设备电量充足。
3. 确保无任何异物粘附于相机镜头上并且已将存储卡插入云台相机。确保云台能够无障碍地活动。
4. 确保所有螺旋桨皆无破损、老化，并正确安装至电机上，拧紧固定螺丝紧固，且电机能够正常启动。
5. 根据 DJI Pilot App 及飞行器提示进行指南针校准。
6. 确保固件以及 DJI Pilot App 已经更新至最新版本。
7. 确保飞行场所处于飞行限制区域之外，且周边没有干扰设备，飞行场所适合进行飞行。
8. 用户应确保自己不在酒精、药物影响下操控飞行器。
9. 熟悉了解每种飞行模式。熟悉失控返航模式下飞行器的行为。
10. 用户应自行了解当地有关飞行器的法律法规。如有必要，用户需自行向有关部门申请授权使用飞行器。
11. 当使用视觉定位时，避开在纹理重复度很高的物体表面上空飞行。更多关于使用视觉定位的信息，请参考“视觉系统与红外感知系统”一节。
12. 确保 DJI Pilot App 已运行以协助飞行。如在飞行时未运行 DJI Pilot App，在特定情况下（包括飞行器丢失）DJI 将无法向您提供售后支持或承担相应责任。
13. 若用户自行挂载负载于飞行器，起飞前请对飞行器悬停性能进行测试，确保负载未超过正常起飞重量、无强烈机械振动、无电磁干扰、不遮挡视觉和红外传感器等部件。
14. 确保整机的视觉、红外传感器、FPV 摄像头镜头和补光镜头片无异物、脏污或指纹等，并不被机身上的负载等结构遮挡。
15. 充分展开各机臂，并确保机臂和起落架套钩锁定到位。
16. 确保对外接口在不使用时，保护胶塞拧紧到位。
17. 确保飞行器所有散热风扇无异物、进入风口无遮挡，开启电源后风扇工作无异响。

## 免责声明与警告

本产品并非玩具，不适合未满 18 岁的人士使用。请勿让儿童接触飞行器，在有儿童出现的场景操作时请务必特别小心注意。使用本产品之前，请仔细阅读本文档。本声明对安全使用本产品以及您的合法权益有着重要影响。

本产品是一款多旋翼飞行器，在电源正常工作及各部件未损坏的情况下将提供轻松自如的飞行体验。访问 <http://www.dji.com> 获取最新说明和警告。DJI 保留更新免责声明的权利。最新的免责声明，请以 [www.dji.com](http://www.dji.com) 官网上及您邮件接收的版本为准。

务必在使用产品之前仔细阅读本文档，了解您的合法权益、责任和免责声明；否则，可能带来财产损失、安全事故和人身安全隐忧。一旦使用本产品，即视为您已理解、认可和接受本声明全部条款和内容。使用者承诺对自己的行为及因此而产生的所有后果负责。使用者承诺仅出于正当目的使用本产品，并且同意本条款及 DJI 可能制定的任何相关政策或者准则。您了解并同意，在无 DJI Pilot App 飞行记录的情况下，DJI 可能无法分析您的产品损坏或事故原因，并无法向您提供 DJI 售后服务。

在法律允许的最大范围内，在任何情况下，DJI 均不对任何间接性、后果性、惩罚性、偶然性、特殊性或刑罚性的损害，包括您因购买、使用或不能使用本产品而遭受的损失，承担责任（即使 DJI 已被告知该等损失的可能性亦然）。

某些国家的法律可能会禁止免除担保类条款，因此您在不同的国家的相关权利可能会有所不同。

在遵从法律法规的情况下，DJI 享有对以上条款的最终解释权。DJI 有权在不事先通知的情况下，对本条款进行更新，改版或终止。

## 使用前须知

为了能使您更安全使用本产品，DJI 为用户提供了以下文档

资料：

- 1.《物品清单》
- 2.《免责声明和安全操作指引》
- 3.《智能飞行电池安全使用指引》
- 4.《快速入门指南》
- 5.《用户手册》

建议用户首先按照《物品清单》核对文档资料、物品是否齐全。然后详细阅读全文档，再观看教学视频、使用《快速入门指南》了解使用过程。飞行前务必仔细阅读《智能飞行电池安全使用指引》和《用户手册》。请确保使用本产品前，您已熟悉本产品各部件的功能，并且了解有关飞行限制的信息，了解紧急返航的过程及当地与飞行有关的法律及相关政策。如果您在使用本产品时有任何疑问，请联系 DJI 或者 DJI 的授权经销商。

## 部件使用须知

### 原厂配件

#### ⚠警告

为避免可能的伤害和损失，务必遵守以下各项：

1. 使用原厂配件或经过 DJI 认证的配件。使用非原厂配件有可能对飞行器的安全使用造成危险。
2. 飞行器及各部件内部没有任何异物（如：水、油、沙、土等）。
3. 确保飞行器及其各部件，包括但不限于遥控器、指南针、动力系统以及电池皆工作正常。
4. 切勿自行改装飞行器及其相关部件，否则可能影响飞行器性能，甚至引发飞行事故。
5. 切勿遮挡飞行器出风口及入风口，以免飞行器温度过高，影响性能。
6. M300 RTK 飞行器所适配的配件，包括但不限于上置云台、全向雷达等，请仅与 M300 RTK 飞行器搭配使用，勿做其他用途。若因为将适配配件与其他非官方推荐的产品搭配使用，造成配件或者飞行器的损坏，用户需自行承担保证责任。
7. 切勿使用非原厂线材连接飞行器扩展接口，否则可能对飞行器的安全使用造成危险。

### 图传系统

#### ⚠注意

请勿随意采用“自定义”模式，否则可能由于所选频点所受干扰较强，从而导致图传信号卡顿，甚至丢失。

### 遥控器

#### ⚠注意

1. 每次飞行前，确保遥控器电量充满。
2. 遥控器闲置并熄屏 5 分钟后将发出报警，报警 10 秒后若无操作将自动关机。操作遥控器可让遥控器恢复为正常工作状态。
3. 确保遥控器天线展开并调整到合适的位置，以获得最佳的通信效果。
4. 遥控器天线如有损坏将影响使用性能，请及时联系售后技术支持。
5. 如更换飞行器，需要重新对频才能使用。
6. 确保每次先关闭飞行器电源，再关闭遥控器。
7. 请确保每隔二个月对遥控器进行完全充电一次。
8. 当遥控器电量为 10% 时请及时对遥控器进行充电，防止低电量长时间存放导致电池深度过放导致设备损坏。长期不使用，请将电池电量放至 40%~60% 左右进行存放。
9. 切勿遮挡遥控器出风口，以免遥控器温度过高，影响遥控器性能。
10. 切勿擅自拆装遥控器，如需更换遥控器部件，请务必联系 DJI 或 DJI 授权的维修中心。
11. 当显示 GPS 信号差时，请检查内置 GPS 是否受到遮挡。一旦安装屏幕支架，必要时请先移除屏幕支架。
12. 请勿频繁拆装摇杆，避免摇杆防尘罩磨损。

## 指南针

**小心**

为避免可能的伤害和损失，务必遵守以下各项：

1. 飞行过程中，一旦出现明显的漂移情况，请马上降落。
2. 请勿在有强烈电磁干扰的且遮挡大部分天空的环境中飞行。
3. 如果起飞前 DJI Pilot App 提示需要进行指南针校准，请在无电磁干扰环境下校准后起飞。

**注意**

请依据 DJI Pilot App 或飞行器状态指示灯的提示进行指南针校准。校准注意事项如下：

1. 请勿在强磁场区域或大块金属附近校准，如磁矿、停车场、带有地下钢筋的建筑区域等。
2. 校准时请勿随身携带铁磁物质，如手机等。
3. 指南针校准成功后，将飞行器放回地面时，如果受到磁场干扰，DJI Pilot App 会显示处理方法，请按显示的方法进行相应操作。

## 动力系统

**警告**

高速旋转的螺旋桨和电机可能给人带来伤害或者损失，务必遵守以下各项：

## 螺旋桨

1. 每次飞行前请务必检查各螺旋桨以及桨夹是否完好。如有老化、破损或变形，请更换后再飞行。如有结冰现象，需要清除后谨慎飞行。
2. 确保在飞行器电源保持关闭状态才下对螺旋桨进行任何操作。
3. 由于桨叶较薄，安装时请小心操作，以防意外划伤。
4. 在必要时请使用辅助工具以安装及拆卸螺旋桨。
5. 每次飞行前请检查螺旋桨是否安装正确并且桨夹固定螺丝紧固。
6. 请勿贴近旋转的螺旋桨和电机（例如用手去接正在降落的飞行器），以免划伤。
7. 请务必使用 DJI 原厂螺旋桨以及桨夹。
8. 当飞行器在 0°C 左右的温度下进行飞行时，请提前使用干布擦拭桨叶，以免桨叶在飞行过程中结冰。

## 电机

1. 确保电机安装牢固，并且能自由旋转、无卡顿。
2. 每次飞行前，务必检查电机是否完好、安装是否牢固；电机通风孔是否堵塞，如果出现堵塞请清理后再飞行；若上盖出现老化、破损以及变形请到指定维修点进行维修。
3. 请勿自行拆装电机以及自行改装电机物理结构。
4. 电机停止转动后，请勿立刻用手直接接触电机，否则可能造成烫伤。

## 电调

1. 飞行前，请检查 DJI Pilot App 是否有提示电调异常，根据提示消除异常后再飞行。
2. 飞行过程中，如有提示电调异常信息，如过热、欠压、过载等，请根据指引操作，切勿强行飞行。

**小心**

为避免可能的伤害和损失，务必遵守以下各项：

1. 请勿遮挡电机通风孔。
2. 请勿遮挡飞行器壳体上的通风孔。

**注意**

## 电机

1. 起降时请避开沙尘路面，否则影响电机使用寿命。
2. 确保电机内无异物、电机通风孔无堵塞。
3. 若电机无法自由转动，请立即执行扳杆动作以停止电机转动。

## 电调

1. 确保飞行器电源开启后，电调有发出提示音。

## DJI Pilot App

**注意**

1. 一旦使用外接移动设备，使用 DJI Pilot App 前请确保移动设备电源充足。
2. 当您在手机上使用 DJI Pilot App 时，请将注意力集中在操控飞行器上，切勿在飞行过程中接听来电。
3. 使用 DJI Pilot App 需要使用蜂窝移动数据，请联系您的移动设备提供商获取最新的数据流量资费标准。
4. 在使用 DJI Pilot App 期间，仔细阅读所有弹出的安全提示、警示信息以及免责声明。务必了解当地的相关法律法规。您将对所有违反当地法律法规的飞行行为负责。
  - a. 阅读并理解在重返返航点时弹出的警示信息。
  - b. 阅读并理解在设定超过高度限定范围时弹出的警示信息以及免责声明。
  - c. 阅读并理解在切换飞行模式时弹出的警示信息以及免责声明。
5. 当 DJI Pilot App 提示用户需返航或降落飞行器时，务必及时将飞行器返航或降落至安全地点。
6. 每次飞行前，务必根据 DJI Pilot App 提供的飞行前检查列表进行各项检查。
7. 如果您从未操作过同类飞行器，则推荐您使用 DJI ASSISTANT™ 2 自带的模拟器练习飞行器操控技巧。
8. 地图界面中使用的地图需从互联网下载。使用该功能前，建议将移动设备接入互联网以下载离线地图。
9. DJI Pilot App 主要用于辅助操作，切勿完全依赖于 DJI Pilot App，同时请开启设备声音。
10. 使用 DJI Pilot App 前，您须同意 DJI Pilot App 使用条款及 DJI 隐私政策。该使用条款及隐私政策限制了 DJI 的部分法律责任，请在 DJI Pilot App 内仔细阅读。

## 固件

**警告**

为避免可能的伤害和损失，务必遵守以下各项：

1. 在固件升级、校准系统以及设定参数时务必使飞行器远离人群或动物。

**注意**

1. 务必将固件版本更新至最新以保证飞行安全。
2. 当 DJI Pilot App 检测到有新版本的固件时，将会显示提示信息，用户阅读并理解提示信息的全部内容。用户了解并同意，若选择不升级固件，DJI Pilot App 将保持原来版本不变。
3. 一旦升级飞行器，务必将遥控器也升级到最新固件。
4. 固件升级完成后，遥控器有可能与飞行器连接断开。
5. 升级固件前确保螺旋桨已经被移除。

## SDK

**注意**

1. 使用 DJI SDK 前，您须同意 DJI SDK 使用条款及 DJI 隐私政策。该使用条款及隐私政策限制了 DJI 的部分法律责任，请在 <https://developer.dji.com/policies/> 内仔细阅读。

## 相机（选配）

**警告**

为避免可能的伤害和损失，务必遵守以下各项：

1. 确保相机的散热孔无遮挡；否则高温可能导致相机损坏，甚至烫伤您或他人。

**注意**

1. 在使用相机拍摄前检查相机参数设置，确保参数正确。
2. 在使用本设备拍摄重要影像时，请在实际拍摄之前进行数次

测试拍摄，以确保设备处于正常的工作状态。

3. 先关闭飞行器电源，再插拔云台相机内的 microSD 卡。请使用标配或官方推荐的 microSD 卡。
4. 请正确关闭飞行器电池，否则相机的参数将不能保存，且正在录制的视频会损坏。
5. DJI 对无法获取视频和相片造成的损失不承担任何责任，比如 SD 卡损坏、SD 卡内素材丢失。

## 云台（选配）

### 注意

1. 云台含有精密部件，若受到碰撞或损伤，精密部件会损坏，可能会导致云台性能下降。请爱护云台免受物理损伤。
2. 云台工作时切勿对其施加外力。
3. 请勿在云台上增加任何物体，否则可能会影响云台性能，甚至烧毁电机。
4. 云台与飞行器之间的连接件以及减震球属于易损部件，务必小心处置。
5. 在移除与安装云台时，务必用手握住云台。
6. 请勿带电安装及拆卸云台。
7. 当使用多云台系统时，请务必按照《用户手册》里的说明安装云台到飞行器上。

## 产品保养

### 存储与运输

#### 警告

为避免可能的伤害和损失，请务必遵守以下各项：

1. 由于线材和小零件可能会对儿童造成危险，所以务必让儿童远离飞行器的部件。

#### 注意

1. 智能飞行电池需定期重新充放电以保持电池活性，其他智能飞行电池存储与运输事宜详见《智能飞行电池安全使用指引》。
2. 切勿让相机接触到液体或浸入水中。若相机入水，请及时用松软干布擦拭。切勿在飞行器落水后立刻开启电源，否则将会对飞行器造成永久损坏。切勿使用含酒精等易挥发成分的液体清洁相机镜头。切勿将相机存放于潮湿的场所。
3. 若需要长期存放或长途运输飞行器及相机，则需要将相机从飞行器上取下，否则可能导致减震球损坏。
4. 切勿使用不符合 USB 2.0 规格的数据连接线。
5. 如需运输飞行器，请确保飞行器于运输前已将机臂和螺旋桨等折叠，否则可能造成运输过程中天线损坏。同时对飞行器进行一定的缓冲处理，防止对 IMU 等器件造成损坏。

## 维护

### 注意

1. 检查飞行器的各个部件是否曾经受到强烈撞击。如有疑问，请联系 DJI 技术支持人员或 DJI 授权的代理商。
2. 智能飞行电池需定期重新充放电以保持电池活性，其他智能飞行电池维护事宜详见《智能飞行电池安全使用指引》。
3. 对于 Matrice 飞行器的用户，建议定期对飞行器进行保养。具体保养事宜详见《智能飞行电池安全使用指引》。
4. 定期检查智能飞行电池电量。当电池循环使用超过 200 次，请更换新电池，否则可能会影响飞行安全。智能飞行电池保养事宜详见《智能飞行电池安全使用指引》。
5. 为使产品始终处于最佳状态、减少安全隐患，使用一段时间后需参考保养手册对产品进行检查和保养。保养间隔时间可根据产品使用频次而定，但至少每半年进行一次。您亦可将产品寄送至 DJI 进行保养，访问 <https://enterprise.dji.com/enterprise-maintenance> 了解保养细则。
6. 产品有安全使用期限，对于 M300 RTK，从首次使用起计算，易损件（如桨叶、云台减震球等）为 300 小时，动力系统各

部件为 900 小时。安全使用期限届满后，产品使用可能存在安全隐患，DJI 对于继续使用可能带来的风险不予负责。

## 飞行条件要求

### 天气及环境要求

#### 警告

请在天气情况以及环境条件良好的情况下进行飞行。为避免可能的伤害和损失，务必遵守以下各项：

1. 恶劣天气下请勿飞行，如大风（风速 15 米/秒及以上）、下雪、暴雨、有雾等低能见度天气等。
2. 飞行时，请保持在视线范围内控制，使飞行器时刻与障碍物、人群、水面等物体保持至少 10 米以上的距离。
3. 在室内操作飞行器时需格外注意。由于 GPS 系统、视觉系统及红外感知系统在室内可能无法正常工作，飞行器的飞行稳定将会受到较大影响，可能危及人身或财产安全。
4. 在室内飞行时，确保视觉系统已经开启并工作正常。请注意，视觉系统是由于视觉系统容易受光照强度、物体表面纹理情况的影响，在水面，或纹理重复度很高的物体表面等场景下请谨慎使用视觉系统。

#### 注意

1. 智能飞行电池性能会受到空气密度以及环境温度的影响。
  - a. 不推荐在低于 -20℃ 或高于 50℃ 的环境下使用飞行器。
2. 在遭遇火灾、爆炸、雷击、暴风、龙卷风、暴雨、洪水、地震、沙暴等灾害时不得使用飞行器。

### 无线通信需求

#### 注意

1. 检查飞行器的各个部件是否曾经受到强烈撞击。如有疑问，请联系 DJI 技术支持人员或 DJI 授权的代理商。
2. 确保在开阔空旷处操控飞行器。高大的钢筋建筑物、山体、岩石、树林有可能对飞行器上的 GPS 信号造成干扰。
3. 为防止遥控器与其他无线设备相互干扰，务必在关闭其它无线设备后再使用飞行器遥控器。
4. 在电磁干扰源附近飞行时请务必保持谨慎。电磁干扰源包括但不限于：高压电线、高压输电站、移动电话基站和电视广播信号塔。在上述场所飞行时，飞行器的无线传输性能将有可能受到干扰影响，若干扰信号过大，飞行器将无法正常工作。

## 安全飞行

#### 警告

为避免可能的伤害和损失，请务必遵守以下各项：

1. 用户不得在饮酒、吸毒、药物麻醉、头晕、乏力、恶心等其他身体状态不佳或精神状况不佳的情况下操控本产品。
2. 降落前务必先关闭飞行器然后关闭遥控器。
3. 禁止使用本产品向建筑物、人群或动物投掷、发射任何危险物体。
4. 用户须立即停止使用发生事故（例如碰撞或倾覆等）或飞行状态异常的飞行器。在由 DJI 或其推荐维修中心进行维修前，用户不得继续使用该飞行器。

#### 注意

1. 用户应确保已经对飞行器有足够程度的了解，并清楚所有的紧急返航措施。
2. 每次飞行前，用户应当准备好飞行计划。请勿鲁莽、即兴、随意操控本产品。
3. 在使用本产品的相机拍摄前，请务必尊重他人隐私权。确保在使用飞行器的相机前，用户已清楚并理解当地有关隐私的法律法规。
4. 禁止使用本产品进行任何违法及不当行为（包括但不限于间谍、军事行动以及非法调查工作）。

5. 禁止使用本产品进行任何违反他人隐私权的行为。
6. 禁止使用本产品侵犯他人物权。

## 飞行模式和警示

### 飞行模式

#### ⚠警告

为避免可能的伤害和损失，务必遵守以下各项；务必在您熟悉飞行器的特性和各种飞行模式之后，才能进行 P 模式切换到 S 模式或者 T 模式的操作（需要在 DJI Pilot App 中设置允许切换飞行模式）。

以下情况飞行器将以被动方式进入姿态模式：GPS 卫星信号差或者指南针受干扰，并且不满足视觉定位工作条件。姿态模式下，飞行器容易受外界干扰，从而在水平方向会产生飘移；并且视觉系统以及部分智能飞行模式将无法使用。因此，该模式下飞行器自身无法实现定点悬停以及自主刹车，需要用户手动操控遥控器才能实现飞行器悬停。

此模式下飞行器的操控难度将大大增加，如需使用该模式，务必熟悉该模式下飞行器的行为并且能够熟练操控飞行器，使用时切勿将飞行器飞出较远距离，以免因为距离过远，丧失对于飞行器姿态的判断从而造成风险。一旦被动进入该模式，则应当尽快降落至安全位置以避免发生事故。同时应当尽量避免在狭窄、半遮挡等 GPS 卫星信号差的空间中飞行，以免被动进入姿态模式，导致飞行事故。

#### 注意

1. 尽可能使用 P 模式进行飞行。在无法使用 P 模式时，用户可切换至其它模式，某些在 P 模式下具备的功能在其它模式下将无法使用。所以在使用其它模式时需格外小心。在室内飞行时，飞行器将无法在纹理重复度很高的物体表面上空精确悬停。更多关于使用视觉定位的信息，请参考“视觉系统与红外感知系统”一节。
  - a. P 模式（定位）：使用 GPS 模块和视觉系统以实现精确悬停。飞行器的感度值被适当调低。
  - b. S 模式（运动）：使用 GPS 模块和视觉系统以实现精确悬停。该模式下飞行器的感度值将适当调高，最大飞行速度将会提升。请特别注意，S 模式下飞行器无法主动刹车和躲避障碍物。
  - c. T 模式（三脚架模式）：三脚架模式在 P 模式的基础上限制了飞行速度，使飞行器在拍摄过程中更稳定。

### 返航

#### 注意

1. 返航功能会受天气、环境以及地磁等因素影响。
2. 确保在遥控器通讯范围内操控飞行器，否则断开连接将触发失控返航。
3. 长按智能返航按键以启动智能返航，启动智能返航后，飞行器将会返回最近记录的返航点。请勿采用关闭遥控器电源的方式强制启动返航功能。
4. 在返航过程中，若光照条件欠佳（光照小于 15 lux 或者光照大于 10,000 lux）时，飞行器将无法不能自主躲避障碍物。切勿依赖视觉系统。请保持对飞行器的监控，必要时建议用户操控遥控器躲避障碍物，或短按遥控器智能返航按键以取消返航。
5. 若返航路线上存在高大建筑物会对飞行器返航安全造成影响，因此在使用返航功能前需要预先设定合理的返航高度。返航过程中，可以通过推油门杆改变飞行器飞行高度。
6. 失控返航在 GPS 信号欠佳（GPS 信号强度低于三格）的情况下将失效。
7. 如果遥控器与飞行器断开，且此时 GPS 信号较差，且飞行器失去对返航位置的判断，但视觉系统工作正常，则飞行器将悬停 8 秒后自动降落。
8. 失控返航时，如电量允许，飞行器将沿着历史轨迹飞行一段距离来尝试恢复连接。因此，在触发失控返航之后，飞行器有可能向返航点的反方向飞行。

### 低电量

#### 注意

1. 为防止因电池电量不足而出现不必要的危险，飞行器将会根据飞行的位置信息，智能地判断当前电量是否充足。若当前电量仅足够完成返航过程，DJI Pilot App 将提示用户是否需要执行返航。
2. 当低电量报警发出时，务必将飞行器在安全地点降落，以防止飞行器失去动力后对飞行器、人以及动物造成危险。

### D-RTK 2

#### 注意

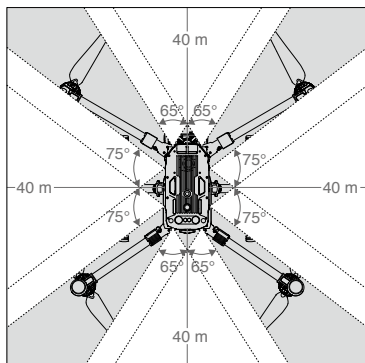
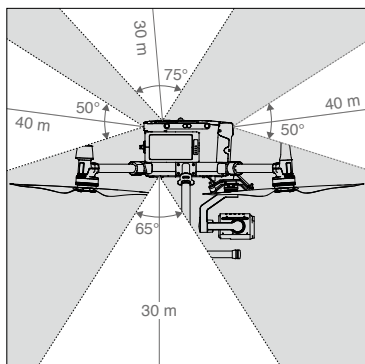
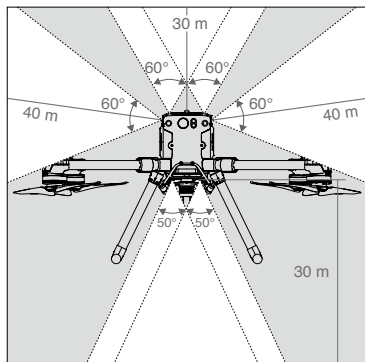
1. 使用原厂配件或经过 DJI 认证的配件。使用非原厂配件有可能对系统的安全使用造成危险。
2. 请在开阔、不受无线电干扰的环境中使用 D-RTK 2。
3. 使用过程中切勿遮挡 D-RTK 2 天线。

### 视觉系统与红外感知系统

#### 注意

1. 视觉定位系统在纹理丰富场景下，最高可工作高度为 30 米。在 0.5 米以下快速飞行时，视觉系统可能无法正常工作。
2. 飞行器可能无法主动回避下方水域。建议用户对飞行保持全程控制，并根据周围环境进行合理判断，不过度依赖视觉系统。
3. 在以下场景下视觉系统无法正常工作：
  - a. 纯色表面（例如纯黑、纯白、纯红、纯绿）以及弱纹理场景。
  - b. 能对系统反光或者倒影的表面。
  - c. 水面或者透明物体表面。
  - d. 运动物体表面（例如人流上方、大风吹动的芦苇、灌木、草丛等运动物体上方）。
  - e. 光照剧烈快速变化的场景以及强光光源直射的场景。
  - f. 在特别暗（光照小于 15 lux）或者特别亮（光照大于 10,000 lux）的物体表面。
  - g. 飞行器速度不直过快，如离地 1 米处时飞行速度不可超过 5 米/秒，离地 2 米不可超过 14 米/秒。
  - h. 细小的障碍物。
  - i. 镜头存在脏污（如雨滴、指纹等）。
  - j. 能见度较低的场景（如大雾）。
4. 在以下场景红外测距传感器可能无法提供准确距离：
  - a. 对光线有很强吸收作用的材质表面（如哑光纯黑物体）。
  - b. 15 米之外存在大面积强反射物场景（例如多个交通指示牌并排放置）。
  - c. 细小的障碍物。
  - d. 镜面或者透明物体（如镜子、水面和玻璃）。
5. 如果飞行器受到强烈碰撞，则有可能导致需要视觉系统重新校准。详情请参照用户手册。
6. 避免在雨雪天气或者其它能见度低（能见度低于 100 米）的场景飞行。
7. 起飞前请检查前后左右上下六个方向视觉以及红外传感器的表面玻璃：
  - a. 去掉表面的贴膜、贴纸及其他遮挡物品。
  - b. 若有水滴、指纹、脏污等，请先擦拭干净（请使用无尘布擦拭，不能使用酒精等有机溶剂）。
  - c. 若表面玻璃有掉落、破碎、划痕、磨损等，请返厂返修。
8. 请不要在会遮挡视觉和红外传感器及其观测区域悬挂或放置任何物体。
9. 请勿以任何方式干扰视觉系统及红外感知系统（例如使用强光源照射视觉系统或使用镜面反射物正对着红外传感器），并确保传感器镜头清晰无污点。
10. 主动刹车功能在飞行器姿态角大于 25 度，或飞行速度高于 17 米/秒的情况下将无法正常工作。
11. 请注意视觉系统与红外感知系统的盲区（灰色）。飞行器无法主动规避存在于盲区内的障碍物。红外传感器观测范围为 8 米。





## 法律规范与飞行限制

### 法律规范

#### 警告

为避免违法行为、可能的伤害和损失，务必遵守以下各项：

- 切勿在载人飞机附近飞行。必要时立即降落。
- 禁止在大型活动现场使用飞行器。这些场地包括但不限于：体育比赛场馆、演唱会。

- 切勿在当地法律禁止的区域飞行。
- 确保飞行器飞行时不会对航线上的大型载人飞行器造成影响。时刻保持警惕并躲避其他飞行器。

#### 小心

为避免违法行为、可能的伤害和损失，务必遵守以下各项：

- 禁止操控飞行器使之进入法律法规规定的禁飞区。禁飞区可能包括：机场、边境线以及主要城市。
- 禁止在超过限定高度的空域飞行。
- 确保飞行器在您的视距范围内飞行，若有必要可安排观察员帮助您监控飞行器位置。
- 禁止使用飞行器搭载任何违法危险物品。

#### 注意

- 确保您已清楚了解飞行活动的类别（例如：娱乐、公务或商务）。在飞行前务必获取相关部门颁发的许可证。如有必要，可向当地法务工作者咨询飞行活动类别的详细定义说明。请注意，在某些地区与国家禁止使用飞行器进行任何形式的商业行为。
- 禁止在敏感建筑设施，例如：发电站、水电站、监狱、交通要道、政府大楼以及军事设施附近使用飞行器。
- 使用飞行器进行拍摄时务必尊重他人隐私权。禁止使用本产品进行任何未经授权的监视活动，这些活动包括但不限于对他人、团体、活动、表演、展会或楼宇进行监视。
- 请注意，在某些地区与国家，尽管不是出于商业目的，但是使用相机对他人、团体、活动、表演、展会等进行录像或者拍照也将侵犯版权、隐私权或者他人的其他合法权益。在某些地区与国家，小型航拍模型亦被禁止参与任何商业行为。因此，使用前请仔细了解并遵循当地法律法规。

### 飞行限制

#### 注意

DJI 一贯强调飞行安全，为了达到该目的，DJI 提供了多种技术手段以协助用户能够安全使用飞行器。DJI 不对用户在使用该等技术手段的情况下能否完全满足当地法律、法规及临时飞行限制等做出任何承诺或保证。用户对此知悉并同意其对使用飞行器期间的一切行为负责。

强烈建议用户从 DJI 官网下载并安装最新版本的固件，以确保飞行限制功能可以正常使用。飞行限制功能包括：

#### 飞行限制区域

- 飞行限制区域包括但不限于国际大型机场、两国边境线以及大城市及区域等。
- 用户可以通过访问 <https://flysafe.dji.com> 查询关于飞行限制区域的列表，请注意该列表将随时更新以适应本地法律法规。DJI 对禁飞区域的设置及提示仅为辅助保障用户飞行安全，不保证与当地法律法规完全一致。用户在每次飞行前，应当自行查询飞行区域的法律法规及监管要求，并对自身的飞行安全负责。
- 某些飞行限制区域是由多个子区域组成。每个子区域有各自的区域半径。飞行器在最靠近机场的禁飞区域内时将无法起飞。当飞行器在禁飞区外的限高区域飞行时，飞行高度将受到限制，限飞高度随着靠近“禁飞区”的距离呈线性递减。另外，用户将无法在限制飞行区域内使用地面站功能。
- 用户无法在飞行限制区域内设置航点。

#### 高度限制

- 保持飞行高度在 120 米以下，飞行时飞行器应远离任何高大建筑物。
- 如果需要在默认限定高度以上的场所飞行，用户需要阅读了解并点击从 App 中弹出的免责声明信息后方可进行余下的操作。

# 安全總覽

## 1. 環境

- 在遠離人群和建築物的開闊場地飛行。
- 在 -20 至 50°C，建議在天氣良好（非下雨、颶風或極端天氣）的環境中飛行。
- 在合法區域內飛行，詳情請見第 6 條。
- 室內飛行時請特別小心，部分功能可能無法使用。
- 航拍機僅能承受 15 公尺 / 秒以下風速，當風速大於或等於 15 公尺 / 秒時，請勿飛行。如遇大風請根據 DJI Pilot 應用程式提示，及時降落。

## 2. 檢查

- 確保各裝置的電量充足。
- 確保螺旋槳無破損並且安裝牢固。
- 確保航拍機馬達清潔無損。
- 確保相機鏡頭清潔完好。
- 根據 DJI Pilot 應用程式提示進行飛行前檢查，必要時進行指南針校準和 IMU 校準。
- 確認 DJI Pilot 應用程式上顯示搜尋達到至少 6 顆以上。
- 請勿自行對航拍機的零配件進行改裝。務必嚴格按照官方要求安裝符合規格的外接裝置，並確保安裝後航拍機重量不超過 9 kg。外接裝置的安裝位置務必合理，確保航拍機重心平穩。
- 確保全機的視覺、紅外線感應器、FPV 攝影機鏡頭和補光燈鏡片無異物、髒污或指紋等，並不被機身上的負載等結構遮擋。
- 充分展開各機臂，並確保機臂和起落架套筒鎖緊就位。
- 確保對外連接埠在不使用時，保護膠塞扣緊就位。
- 確保航拍機所有散熱風扇無異物、進出風口無遮擋，開啟電源後風扇運作無異聲。

## 3. IP45 防護等級

M300 RTK 航拍機配合專用電池（TB60）使用，在受控實驗室條件下測試，可達到 IEC60529 標準下 IP45 防護等級。防護等級非永久有效，可能會因長期使用導致磨損而下降。

- 請勿在雨量大於 100 mm / 24 小時的情況下飛行；
- 請勿在雨中折疊機臂；
- 飛行前，請確認電池連接埠、電池盒連接埠、電池表面和電池盒表面乾燥無水，再將電池插入機身；
- 請確保電池連接埠及電池表面乾燥無水，再對電池進行充電；
- 請將機身表面擦拭乾淨，確保無水滴後，再放入包裝；
- 由於滲入液體而導致的損壞不在保固範圍之內。

以下幾種情況不具備 IP45 防護等級：

- 機臂呈折疊狀態；
- 未使用 M300 RTK 專用 TB60 電池；
- 連接埠保護蓋未安裝到位；
- 上蓋防水膠塞鬆脫；
- 機身出現其他可能的破損，如外殼開裂、防水膠失效等。

## 4. 操作

- 操作正在正處於運轉的載具上起飛起飛。
- 起降時請避開沙塵路面，否則影響馬達使用壽命。



使用 DJI™ MATRICE™ 300 RTK (M300 RTK) 航拍機具有一定的安全風險，不適合未滿 18 歲的人士使用。安全總覽僅包含部分的安全知識，請務必仔細閱讀本《免費聲明與安全指導指南》和《使用者手冊》的全部內容。

- 請勿靠近運作轉動中的螺旋槳和馬達。
- 在視線內飛行 (VLOS)。
- 空中停止馬達方式：向內或向外同時撥動左右兩個搖桿。
- 空中停止馬達將會導致航拍機墜毀。僅當航拍機在空中檢測到嚴重故障時，才可執行以上動作以緊急停機。
- 飛行過程中請勿接聽電話、發送簡訊，或使用其他可能干擾您操作航拍機的行動裝置功能。請勿在意識受到酒精或藥物的影響下操作航拍機。
- 航拍機依靠視覺定位飛行時，請注意避開水面或雪地等鏡面反射區域。
- 發出低電量警告時請立即返航。
- 在故障安全返航過程中，若光照條件欠佳時，航拍機將不能自行躲避障礙物，如果遙控訊號恢復正常，可退出返航模式再透過遙控器控制飛行。請確保在飛行前將返航高度設定得高於周圍最高障礙物的高度。
- 降落後先關閉航拍機再關閉遙控器，以免造成遙控器訊號遺失，啟動返航模式。請確保馬達完全停止後再關閉航拍機和遙控器電源。
- 請全程保持對航拍機的控制，請勿完全依賴視覺系統和紅外線感知系統及 DJI Pilot 應用程式提供的資訊。在特定飛行模式下或特定飛行環境中，視覺系統和紅外線感知系統將無法正常運作，主動制車等功能也無法使用。請依靠肉眼觀察，合理判斷飛行狀況，及時躲避障礙物，並根據飛行環境來設定相應飛行及返航高度。
- 降落保護功能只在幫助使用者減少不當操作，以優化使用者操控體驗。但是在特定飛行環境中（如光線不好），視覺系統或許無法正常運作，且地表檢測存在一定的誤檢機率，因此，請勿完全依賴系統功能，請務必全程保持對航拍機的控制並對飛行安全負責。

## 5. 保養

- 每一次飛行前，請檢查並及時更換變形或破損的螺旋槳。
- 航拍機與智能飛行電池理想的保存溫度為 22°C 至 30°C 陰涼乾燥的室溫，並避免陽光照射。
- 智能飛行電池需定期重新充電以保持電池活性，其他智能飛行電池保養事宜請參閱《智能飛行電池安全使用指引》。

## 6. 禁航區與當地法規

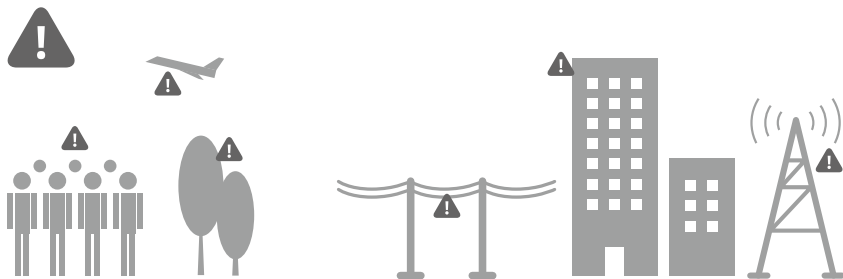
- 嚴禁在禁航區域中飛行。瀏覽該地址 <http://flysafe.dji.com/> 以取得 DJI 建議的禁航區清單。
- 控制飛行高度在 120 公尺以下\*，飛行時需嚴格遵守當地法律規定。
- 如果周圍有航班等航拍機經過，請避開此空域。

\* 各國家 / 地區的限飛高度有所不同，請聯絡當地的航空管理部門以了解實際限高。





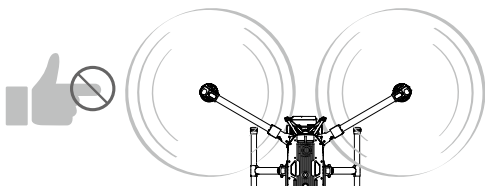
CHT



飛行時請遠離人群、樹木和機場。  
無線電發射塔、高壓線、變電廠、高大建築物及具有磁性的大型金屬可能會對遙控器訊號及指南針產生干擾，飛行時請務必注意安全。



下雨、大霧、下雪、打雷閃電、大風（風速每秒 15 公尺以上）等天氣請勿飛行。



請勿接觸運作旋轉中的螺旋槳，否則可能會受到嚴重人身及財產安全。



禁航區

詳情請前往以下網址：  
<https://flightsafety.dji.com>

## 詞彙表

針對操作不當可能帶來的潛在危險，本產品使用以下詞彙予以分級並加以說明。

- [注意]** 如果操作時未按照說明進行，可能會導致財產損失和輕微傷害。
- [小心]** 如果操作時未按照說明進行，可能會導致財產損失和較嚴重之傷害。
- [警告]** 如果操作時未按照說明進行，可能會導致財產損失、重大事故和嚴重傷害。

### 警告

透過閱讀整份使用者手冊，熟悉產品的功能之後再進行操作。若沒有正確操作本產品可能會對自身或他人造成嚴重傷害，或者導致產品損壞和財產損失。本產品較為複雜，需要經過一段時間熟悉後才能安全使用，並且需要具備一些基本常識後才能進行操作。如果沒有強烈的安全意識，不恰當的操作可能會導致產品損壞和財產損失，甚至對自身或他人造成嚴重傷害。本產品不適合兒童使用。請勿使用非 DJI 提供或建議的零組件，必須嚴格遵守 DJI 的指南安裝和使用產品。本指南文件包含安全、操作和維護等說明。在進行組裝、設定和使用之前，務必仔細閱讀使用者手冊中的所有說明和警告。

## 飛行前檢查表

1. 僅使用 DJI 原廠零件，並保證所有零件運作狀態良好。
2. 確保遙控器、智能飛行電池以及行動裝置電池電量充足。
3. 確保無任何異物黏附於相機鏡頭上並且已將記憶卡插入航拍機。確保雲台能夠無阻礙地活動。
4. 確保所有螺旋槳皆無破損、老化，並正確安裝至馬達上，槳夾固定螺絲緊固，且馬達能夠正常啟動。
5. 根據 DJI Pilot 應用程式及航拍機提示進行指南針校準。
6. 確保韌體以及 DJI Pilot 應用程式已經更新至最新版本。
7. 確保飛行場所處於飛行限制區域之外，且周邊沒有干擾設備，飛行場所適合進行飛行。
8. 使用者應確保自己不在酒精、藥物影響下操控航拍機。
9. 熟悉了解每種飛行模式。熟悉故障安全返航模式下航拍機的行為。
10. 使用者應自行了解當地有關航拍的法律法规。如有必要，使用者需自行向相關部門申請授權使用航拍機。
11. 當使用視覺定位時，避開在紋理重複度很高的物體表面上空飛行。更多關於使用視覺定位的資訊，請參考「視覺系統與紅外線感知系統」一節。
12. 確保 DJI Pilot 應用程式已執行協同飛行。如在飛行時未執行 DJI Pilot 應用程式，在特定情況下（包括航拍機遺失），DJI 將無法向您提供售後支援或承擔相應責任。
13. 若使用者自行掛載負載於航拍機，起飛前請對航拍機滯空性能進行測試，確保負載未超過正常起飛重量、無強烈機械震動、無電磁波干擾、不遮擋視覺和紅外線感應器等零組件。
14. 確保主機的視覺、紅外線感應器、FPV 攝影機鏡頭和補光燈鏡片無異物、髒污或指紋等，並不被機身上的負載等結構擋擋。
15. 充分展開各機臂，並確保機臂和起落架套筒鎖緊就位。
16. 確保對外連接埠在不使用時，保護膠套扣緊到位。
17. 確保航拍機所有散熱風扇無異物、進出風口無遮擋，開啟電源後風扇運作無異響。

## 免責聲明與警告

本產品並非玩具，不適合未滿 18 歲的人士使用。請勿讓兒童碰觸航拍機；有兒童在場時，請務必特別小心注意。使用本產品之前，請仔細閱讀本文件。本聲明對安全使用本產品以及您的合法權益有著重要影響。

本產品是一款多旋翼航拍機，在電源正常運作且各零組件未損壞的情況下，可提供安全可靠的飛行體驗。前往 <http://www.dji.com> 取得最新說明和警告。DJI 保留更新本免責聲明的權利。最新的免責聲明，請以 [www.dji.com](http://www.dji.com) 官網及您所接收到的郵件版本為主。

務必在使用產品之前仔細閱讀本文件，瞭解您的法律權益、責任和安全說明。否則，可能導致財產損失、安全事故和人身安全隱憂。一旦使用本產品，即視為您已理解、認可並接受本聲明全部條款和內容。使用者承諾對自己的行為及因此產生的所有後果負責。使用者承諾僅基於正當目的使用本產品，並且同意本條款及 DJI 可能制定的任何相關政策或準則。您瞭解並同意，在無 DJI Pilot 應用程式飛行記錄的情況下，DJI 可能無法分析您的產品損壞或事故原因，並無法向您提供 DJI 售後服務。

在法律允許的最大範圍內，在任何情況下，DJI 均不對任何間接性、後果性、懲罰性、偶然性、特殊性或刑罰性的損害，包括因您購買、使用或無法使用本產品而遭受的損失，承擔責任（即使 DJI 已被告知該等損失的可能性亦然）。

某些國家的法律可能會禁止免除擔保條款，因此您在不同國家的相關權利可能會有所不同。

在遵循法律法规的情況下，DJI 擁有對以上條款的最終解釋權。DJI 有權在不事先通知的情況下，對本條款進行更新、改版或終止。

## 使用前須知

為了使您能更安全的使用本產品，DJI 為使用者提供以下文件資料：

1. 《物品清單》
2. 《免責聲明與安全指導方針》
3. 《智能飛行電池安全使用指南》
4. 《快速入門指南》
5. 《使用者手冊》

建議使用者首先按照《物品清單》核對文件資料、物品是否齊全。然後詳細閱讀本文件，再觀看教學影片、使用《快速入門指南》瞭解使用過程，飛行前務必仔細閱讀《智能飛行電池安全使用指南》和《使用者手冊》。請確保您在使用本產品前，您已熟悉本產品各零組件的功能，並且瞭解飛行限制相關資訊、了解緊急返航的過程及與當地飛行有關的法律及相關政策。如果您在使用本產品時有任何疑問，請聯絡 DJI 或 DJI 的授權經銷商。

## 零組件使用須知

### 原廠配件

#### 警告

為了避免可能的傷害和損失，務必遵守以下各項規定：

1. 使用原廠配件或經過 DJI 認證的配件。使用非原廠配件有可能危及航拍機的使用安全。
2. 航拍機及各零組件內部沒有任何異物(如：水、油、沙、土等)。
3. 確保航拍機及其各零組件，包含但不限於遙控器、指南針、動力系統及電池皆運作正常。
4. 請勿自行改裝航拍機及其相關零組件，否則可能影響航拍機性能，甚至引發飛行事故。
5. 請勿遮擋航拍機出風口及入風口，以免航拍機溫度過高，影響性能。
6. M300 RTK 航拍機所適用的配件，包括但不限於上置雲台、全向雷達等，請僅與 M300 RTK 航拍機搭配使用，勿做其他用途。若因為將適用配件與其他非官方推薦的產品搭配使用，造成配件或者航拍機的損壞，使用者需自行承擔責任。
7. 請勿使用非原廠線材連接航拍機擴充連接埠，否則可能對航拍機的安全使用造成危險。

### 影像傳輸系統

#### 注意

請勿隨意採用「自定義」模式，否則可能由於所選頻率所受干擾較強，進而導致影像傳輸訊號卡頓，甚至丟失。

### 遙控器

#### 注意

1. 每次飛行前，確保遙控器電池已充滿電。
2. 遙控器開置並睡眠 5 分鐘後將發出警告，警告 10 秒後若無操作將自動關機。操作遙控器可讓遙控器恢復為正常運作狀態。
3. 確保遙控器線控已展開並調整到合適位置，以取得最佳通訊效果。
4. 遙控器天線如有損壞將影響使用性能，請及時聯繫售後技術支援服務。
5. 如更換航拍機，需要重新配對才能使用。
6. 確保每次都是先關閉航拍機電源，再關閉遙控器。
7. 請確保每隔三個月對遙控器進行完全充電一次。
8. 當遙控器電量為 10% 時，請及時對遙控器進行充電，防止低電量長時間存放導致電池深度過放而導致設備損壞。長期不使用時，請將電池電量存放至 40% 至 60% 左右進行存放。
9. 請勿遮擋遙控器出風口，以免遙控器溫度過高，影響遙控器性能。
10. 請勿擅自拆裝遙控器，如需更換遙控器零組件，請務必聯繫 DJI 或 DJI 授權的維修中心。
11. 當顯示 GPS 訊號差時，請檢查內建 GPS 是否受到遮擋。一旦安裝螢幕支架，必要時請先移除螢幕支架。
12. 請勿頻繁拆裝搖桿，避免挫掉防護塗層損壞。

## 指南針

### 小心

為了避免可能的傷害和損失，務必遵守以下各項規定：

1. 飛行過程中，一旦出現明顯的漂移情況，請馬上降落。
2. 請勿在有強烈電磁波干擾的且遮擋大部分天空的環境中飛行。
3. 如果起飛前 DJI Pilot 應用程式提示需要進行指南針校準，請在無電磁波干擾環境下校準後起飛。

### 注意

請依照 DJI Pilot 應用程式或航拍機狀態指示燈的提示進行指南針校準。校準注意事項如下：

1. 請勿在磁場強烈的區域或具有磁性的大型金屬物體附近進行校準，例如磁礦、停車場、含有地下鋼筋的建築區域等。
2. 進行校準時，身上請勿放有強磁性物品，例如手機等。
3. 指南針校準成功後，將航拍機放回地面時，如果受到磁場干擾，DJI Pilot 應用程式會顯示處理方法，請按照所顯示的方法進行對應操作。

## 動力系統

### 警告

高速旋轉的螺旋槳和馬達可能造成人員受傷和損失，因此請務必遵守以下各項規定：

### 螺旋槳

1. 每次飛行前請務必檢查各螺旋槳以及槳夾是否完好。如有老化、破損或變形請更換後再起飛。如有結冰現象，需要清除後謹慎飛行。
2. 確實在航拍機電源保持關閉狀態下對螺旋槳進行任何操作。
3. 由於槳葉較薄，安裝時請小心操作，以防意外劃傷。
4. 在必要時請使用輔助工具以安裝及拆卸螺旋槳。
5. 每次飛行前請檢查螺旋槳是否安裝正確並且槳夾固定螺絲緊固。
6. 請勿靠近旋轉中的螺旋槳和馬達（例如用手去接正在降落的航拍機），以免割傷。
7. 請務必使用 DJI 原廠螺旋槳以及槳夾。
8. 當航拍機在 0°C 左右的溫度下進行飛行時，請事先用乾布擦拭槳葉，以免槳葉在飛行過程中結霜。

### 馬達

1. 確保馬達安裝牢固，並且能自由旋轉、無刮痕。
2. 每次飛行前，務必檢查馬達是否完好、安裝是否牢固；馬達通風孔是否堵塞，如果出現堵塞請清理後再飛行；若上蓋出現老化、破損以及變形請到指定維修點進行維修。
3. 請勿自行拆裝馬達以及自行改裝馬達物理結構。
4. 馬達停止轉動後，請勿立刻用手直接接觸馬達，否則可能燙傷。

## 電控

1. 飛行前，請檢查 DJI Pilot 應用程式是否有提示電控異常，根據提示消除異常後再飛行。
2. 飛行過程中，如有提示電控異常資訊，如溫度過高、電壓不足、過載等，請根據指南操作，請勿強行飛行。

### 小心

為了避免可能的傷害和損失，務必遵守以下各項規定：

1. 請勿遮擋馬達通風孔。
2. 請勿遮擋航拍機殼體上的通風孔。

### 注意

### 馬達

1. 起降時請避開沙塵路面，否則影響馬達使用壽命。
2. 確保馬達內無異物、馬達通風孔無堵塞。
3. 若馬達無法自由轉動，請立刻執行辦程動作以停止馬達轉動。

## 電控

1. 確保航拍機電源開啟後，電控有發出提示音。

## DJI Pilot 應用程式

### 注意

1. 一旦使用外接行動裝置，使用 DJI Pilot 應用程式前請確保行動裝置電源充足。
2. 當您已在手機上使用 DJI Pilot 應用程式時，請將注意力集中在操控航拍機上，請勿在飛行過程中接聽電話。
3. 使用 DJI Pilot 應用程式需要使用行動資料，請聯絡您的行動裝置資料供應商，以取得最新的資料流量資費標準。
4. 使用 DJI Pilot 應用程式期間，請仔細閱讀所有彈出的安全提示、警告資訊及免責聲明。務必了解相關的當地法律規定。您將對所有違反當地法律規定的飛行行為負責。
  - a. 閱讀並理解在重設返航點時彈出的警告資訊。
  - b. 閱讀並了解在設定超過高度限定範圍時彈出的警告資訊以及免責聲明。
  - c. 閱讀並了解在切換飛行模式時彈出的警告資訊及免責聲明。
5. 當 DJI Pilot 應用程式提示使用者需返航或降落航拍機時，務必及時將航拍機返航或降落至安全地點。
6. 每次飛行前，務必根據 DJI Pilot 應用程式提供的飛行前檢查清單進行各項檢查。
7. 如果您從未操作過同類航拍機，則推薦您使用 DJI ASSISTANT™ 2 自帶的模擬器練習航拍機操控技巧。
8. 地圖介面中使用的地圖需上網下載。使用該功能前，建議將行動裝置連線至網際網路以下載離線地圖資料。
9. DJI Pilot 應用程式主要用於輔助操作，請勿完全依賴於 DJI Pilot 應用程式，同時請開啟設備聲音。
10. 使用 DJI Pilot 應用程式前，您須同意 DJI Pilot 應用程式使用條款及 DJI 隱私政策。該使用條款及隱私政策限制了 DJI 的部分法律責任，請在 DJI Pilot 應用程式內詳細閱讀。

## 韌體

### 警告

為了避免可能的傷害和損失，務必遵守以下各項規定：

1. 在韌體升級、校準系統及設定參數時，務必讓航拍機遠離人群或動物。

### 注意

1. 務必將韌體更新至最新版本，以確保飛行安全。
2. 當 DJI Pilot 應用程式偵測到有新韌體版本時，將會顯示提示資訊，使用者應閱讀並瞭解提示資訊的全部內容。使用者瞭解並同意，若選擇不升級韌體，DJI Pilot 應用程式將保持原來版本不變。
3. 一旦升級航拍機後，務必將遙控器也升級到最新韌體。
4. 韌體升級完成後，遙控器有可能與航拍機中斷連結。
5. 升級韌體前確保螺旋槳已被取下。

## SDK

### 注意

1. 使用 DJI SDK 前，您須同意 DJI SDK 使用條款及 DJI 隱私政策。該使用條款及隱私政策限制了 DJI 的部分法律責任，請在 <https://developer.dji.com/policies/> 內詳細閱讀。

## 相機（選配）

### 警告

為了避免可能的傷害和損失，務必遵守以下各項規定：

1. 確保相機的散熱孔無遮擋；否則高溫可能導致相機損壞，甚至燙傷您或他人。

### 注意

1. 在使用相機拍攝前檢查相機參數設定，確保參數正確。
2. 在使用本裝置拍攝重要影像時，請在實際拍攝之前進行數次測試拍攝，以確保設備處於正常的運作狀態。

3. 先關閉航拍機電源，再拔出雲台相機內的 microSD 卡。請使用標準或官方推薦的 microSD 卡。
4. 請正確關閉航拍機電池，否則相機的參數將無法保存，並且正在錄製的影片會損毀。
5. DJI 對無法顯取影片和相片所造成的損失不承擔任何責任，例如 SD 卡損壞、SD 卡內素材遺失。

## 雲台 (選配)

### 注意

1. 雲台含有精密零組件，若受到碰撞或損傷，精密零組件會損壞，可能會導致雲台性能下降。請愛護雲台免受物理損傷。
2. 雲台運作時請勿對其施加外力。
3. 請勿在相機雲台上增加任何物體，否則可能會影響雲台性能，甚至燒毀馬達。
4. 雲台與航拍機之間的連接件和減震球屬易損零組件，務必小心處理。
5. 在移除與安裝雲台時，務必用手握住雲台。
6. 請勿帶電安裝及拆卸雲台。
7. 當使用多雲台系統時，請務必按照《使用者手冊》裡的說明安裝雲台到航拍機上。

## 產品保養

### 存放與運輸

#### 警告

為了避免可能的傷害和損失，務必遵守以下各項規定：

1. 由於線材和小型零件可能會對兒童造成危險，因此務必讓兒童遠離航拍機的零組件。

#### 注意

1. 智能飛行電池需定期重新充電以保持電池活性，其他智能飛行電池存放與運輸事宜請參閱《智能飛行電池安全使用指引》。
2. 請勿讓相機接觸到液體或浸入水中。若相機浸入水中，請及時用鬆軟乾布擦拭。請勿在航拍機落水後立刻開啟電源，否則將會對航拍機造成永久損壞。請勿使用含酒精等易揮發成分的液體清潔相機鏡頭。請勿將相機存放於潮濕的場所。
3. 若需要長期存放或長途運輸航拍機及相機，則需要將相機從航拍機上取下，否則可能導致減震球損壞。
4. 請勿使用不符合 USB 2.0 規格的數據連接線。
5. 如需運輸航拍機，請確保航拍機於運輸前已將機臂和螺旋槳等折疊，否則可能造成運輸過程中天線損壞。同時對航拍機進行一定的緩衝處理，防止對 IMU 等裝置造成損壞。

## 維護

### 注意

1. 檢查航拍機的各個零組件是否曾遭受到強烈撞擊。如有疑問，請聯絡 DJI 技術支援人員或 DJI 授權代理商。
2. 智能飛行電池需定期重新充電以保持電池活性，其他智能飛行電池維護事宜請參閱《智能飛行電池安全使用指南》。
3. 對於 Matrice 航拍機的使用者，建議定期對航拍機進行保養。具體保養事宜請參閱《智能飛行電池安全使用指南》。
4. 定期檢查智能飛行電池的電量。當電池循環使用超過 200 次，請更換新電池，否則可能會影響飛行安全。智能飛行電池保養事宜請參閱《智能飛行電池安全使用指南》。
5. 為確保產品始終處於最佳狀態、減少安全隱患，使用一段時間後需參閱保養手冊對產品進行檢查與保養。保養頻率視產品使用頻率而定，但至少每六個月需保養一次。您也可將產品寄送至 DJI 進行保養，請訪問 <https://enterprise.dji.com/enterprise-maintenance> 瞭解保養細則。
6. 產品有安全使用期限，從首次使用起開始計算，M300 RTK 的易損件（如槳葉、雲台減震球等）為 300 小時，動力系統各部件為 900 小時。安全使用期限屆滿後，產品使用可能存在安全隱患，DJI 對於因繼續使用可能帶來的風險不予負責。

## 飛行條件要求

### 天候以及環境要求

#### 警告

請在天氣情況以及環境條件良好的情況下進行飛行。為了避免可能的傷害和損失，務必遵守以下各項規定：

1. 惡劣天氣下請勿飛行，例如強風（風速 15 公尺/秒以上）、下雪、暴雨、起霧等低能見度天氣等。
2. 飛行時，請保持在視線範圍內操控，使航拍機隨時與障礙物、人群、水面等物體保持至少 10 公尺以上的距離。
3. 在室內操作航拍機時需格外注意。由於 GPS 系統、視覺系統及紅外線感知系統在室內可能無法正常運作，航拍機的飛行穩定將會受到較大影響，可能危及人身或財產安全。
4. 在室內飛行時，確保視覺系統已經開啟並正常運作。請注意，視覺系統在由於視覺系統容易受光照強度、物體表面紋理情況的影響，在水面或紋理重複性很高的物體表面等場景下，請謹慎使用視覺系統。

#### 注意

1. 智能飛行電池性能會受到空氣密度以及環境溫度的影響。
  - a. 不推薦在低於 -20 °C 或高於 50 °C 的環境下使用航拍機。
2. 在遭遇火災、爆炸、雷擊、颶風、龍捲風、暴雨、洪水、地震、沙塵等災害時，不得使用航拍機。

### 無線通訊需求

#### 注意

1. 檢查航拍機的各個零組件是否曾經受到強烈撞擊。如有疑問，請聯絡 DJI 技術支援人員或 DJI 授權代理商。
2. 確保在開關空曠處操控航拍機。高大的鋼筋建築物、山體、岩石、樹林有可能對航拍機上的 GPS 訊號造成干擾。
3. 為防止遙控器與其他無線裝置相互干擾，請務必先關閉其他無線裝置，然後再使用航拍機遙控器。
4. 在電磁波干擾源附近飛行時請務必保持謹慎。電磁波干擾源包括但不限於：高壓電線、高壓輸電廠、行動電話基地台和電視廣播訊號塔。在上述場所飛行時，航拍機的無線傳輸性能可能會受到干擾影響，若干擾訊號過大，航拍機將無法正常飛行。

## 安全飛行

#### 警告

為了避免可能的傷害和損失，務必遵守以下各項規定：

1. 使用者不得在飲酒、吸毒、藥物麻醉、頭暈、四肢無力、噁心等其他身體狀態不佳或精神狀況不佳的情況下操控本產品。
2. 降落後務必先關閉航拍機然後再關閉遙控器。
3. 禁止使用本產品向建築物、人群或動物投放、發射任何危險物品。
4. 使用者必須立即停止使用發生事故（例如碰撞或傾覆等）或飛行狀態異常的航拍機。在由 DJI 或其推薦的維修中心進行維修前，使用者不得繼續使用該航拍機。

#### 注意

1. 使用者應確保已經對航拍機有足夠程度的瞭解，並清楚所有的緊急返航措施。
2. 每次飛行前，使用者應準備好飛行計畫。請勿魯莽、即興、隨意操控本產品。
3. 在使用本產品的相機拍攝前，請務必尊重他人隱私權。確定在使用航拍機的相機前，使用者已清楚並瞭解當地有關隱私的法律規定。
4. 禁止使用本產品進行任何違法及不當行為（包括但不限於間諜、軍事行動及非法調查工作）。
5. 禁止使用本產品進行任何違反他人隱私權的行為。
6. 禁止使用本產品侵犯他人物權。

## 飛行模式和警告

### 飛行模式

#### ⚠警告

為了避免可能的傷害和損失，務必遵守以下各項規定；務必在您熟悉航拍機的特性和各種飛行模式之後，才能進行 P 模式中切換到 S 模式或者 T 模式的操作（需要在 DJI Pilot 應用程式中設定允許切換飛行模式）。

以下情況航拍機將以被動方式進入姿態模式：GPS 衛星訊號差或是指南針受干擾，而且不符合視覺定位運作條件。姿態模式下，航拍機容易受外界干擾，從而在水平方向產生飄移，而視覺系統及部分智慧飛行模式也將無法使用。因此，在該模式下航拍機本身無法執行定點懸停及自動制車，使用者必須手動操控遙控器才能執行航拍機懸停。

此模式下，航拍機的操控難度將大幅增加，如需使用該模式，務必熟悉該模式下航拍機的行為而且要能夠熟練航拍機的操控，使用時請勿讓航拍機飛出較遠距離，以免因為距離過遠，喪失對於航拍機姿態的判斷，從而造成風險。一旦被動進入該模式，則應儘快降落到安全位置以免發生事故。同時應當盡量避免在狹窄、半邊橋等 GPS 衛星訊號差的空間中飛行，以免被動進入姿態模式，導致飛行事故。

#### 注意

- 盡可能使用 P 模式進行飛行。在無法使用 P 模式時，使用者可切換至其他模式。某些在 P 模式下具備的功能在其他模式下將無法使用。所以在使用其它模式時需格外小心。在室內飛行時，航拍機將無法在紋理重複度很高的物體表面上空精確滯空。更多關於使用視覺定位的資訊，請參考「視覺系統與紅外線感知系統」一節。
  - P 模式（定位）：使用 GPS 模組和視覺系統以實現精確滯空。航拍機的感覺值被適當調低。
  - S 模式（運動）：使用 GPS 模組和視覺系統以實現精確滯空。該模式下航拍機的感覺值將適當調高，最大飛行速度將會提升。請特別注意，S 模式下的航拍機無法主動制車和避開障礙物。
  - T 模式（三腳架模式）：三腳架模式在 P 模式的基礎上限制了飛行速度，使航拍機在拍攝過程中更穩定。

### 返航

#### 注意

- 返航功能會受天氣、環境以及地磁等因素影響。
- 確保在遙控器通訊範圍內操控航拍機，否則中斷連接將觸發故障安全返航。
- 長按智慧返航按鈕以啟動智慧返航，啟動智慧返航後，航拍機將會飛回至最近一次記錄的返航點。請勿採用關閉遙控器電源的方式強制啟動返航功能。
- 在返航過程中，若光照條件欠佳（光照小於 15 lux 或者光照大於 10,000 lux）時，航拍機不能自主躲避障礙物。請勿依賴視覺系統。請持續監控航拍機，必要時建議使用者操控遙控器躲避障礙物，或短按遙控器的智慧返航按鈕以取消返航。
- 若返航路線上存在高大建築物會對航拍機返航安全造成影響，因此在使用返航功能前需要預先設定合理的返航高度。返航過程中，可以透過推油门桿改變航拍機飛行高度。
- 失控返航在 GPS 訊號欠佳（GPS 訊號強度低於 3 格）的情況下將失效。
- 如果遙控器與航拍機中斷，且此時 GPS 訊號較差，且航拍機失去對返航位置的判斷，但視覺系統可正常運作，則航拍機將滯空 8 秒後自動降落。
- 故障安全返航時，如電量允許，航拍機將沿著歷史軌跡飛行一段距離來嘗試恢復連接。因此，在啟動失控返航之後，航拍機有可能往返航點的反方向飛行。

### 低電量

#### 注意

- 為防止因電池電量不足而出現不必要的危險，航拍機將會根據飛行的位置資訊，智慧判斷目前電量是否充足。若目前電

量僅足夠完成返航過程，DJI Pilot 應用程式將提示使用者是否需要執行返航。

- 當發出低電量警告時，務必讓航拍機降落在安全地點，以防止航拍機失去動力後對航拍機、他人及動物造成危險。

### D-RTK 2

#### 注意

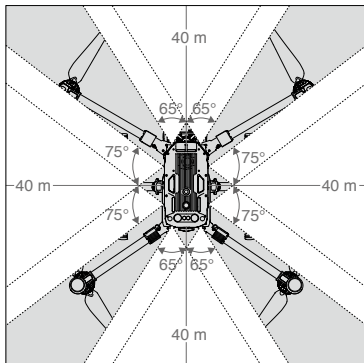
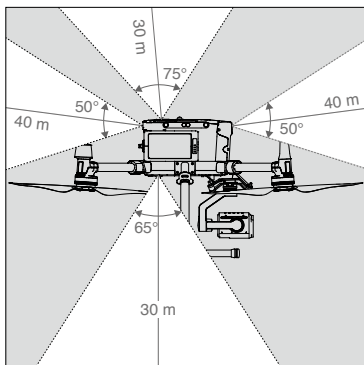
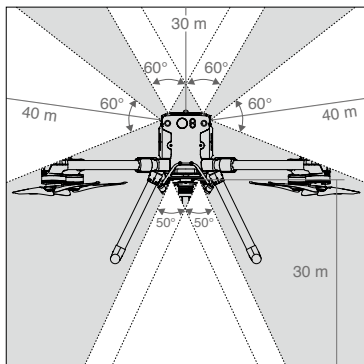
- 使用原廠配件或經過 DJI 認證的配件。使用非原廠配件可能對系統的安全使用造成危險。
- 請在開關、不受無線電干擾的環境中使用 D-RTK 2。
- 使用過程中請勿遮擋 D-RTK 2 天線。

### 視覺系統與紅外線感知系統

#### 注意

- 視覺定位系統在紋理豐富場景下，最高可運作高度為 30 公尺。在 0.5 公尺以下快速飛行時，視覺系統可能無法正常運作。
- 航拍機可能無法自動迴避下方水域。建議使用者對飛行保持全程控制，並根據周圍環境進行合理判斷，不過度依賴視覺系統。
- 在下列情況下，視覺系統無法正常運作：
  - 純色表面（例如純黑、純白、純紅、純綠）以及弱紋理場景。
  - 有強烈反光或倒影的表面。
  - 水面或透明物體表面。
  - 運轉物體表面（例如人流上方、大風吹動的蘆葦、灌木、草叢等運轉物體上方）。
  - 光暈劇烈快速變化的場景以及強光源直射的場景。
  - 在特別暗（光照小於 15 lux）或者特別亮（光照大於 10,000 lux）的物體表面。
  - 航拍機速度不宜過快，如離地 1 公尺處時飛行速度不可超過 5 公尺 / 秒，離地 2 公尺不可超過 14 公尺 / 秒。
  - 細小的障礙物。
  - 鏡頭存在霧污（如雨滴、指紋等）。
  - 能見度較低的場景（如大霧）。
- 在以下場景紅外測距傳感器可能無法提供準確距離：
  - 對光線有很強吸收作用的材質表面（如啞光純黑物體）。
  - 15 公尺之外存在大面積強反射物場景（例如多個交通號誌並排放置）。
  - 細小的障礙物。
  - 鏡面或者透明物體（如鏡子、水面和玻璃）。
- 如果航拍機受到強烈碰撞，則有可能導致需要視覺系統重新校準。詳情請參照使用者手冊。
- 避免在雨霧天氣或在其他能見度低（能見度低於 100 公尺）的場景飛行。
- 起飛前請檢查前後左右上下六個方向視覺以及紅外線感應器的表面玻璃：
  - 去掉表面的貼膜、貼紙及其他遮擋物品。
  - 若有水滴、指紋、髒污等，請先擦拭乾淨（請使用無塵布擦拭，不能使用酒精等有機溶劑）。
  - 若表面玻璃有掉落、破碎、劃痕、磨損等，請回廠維修。
- 請勿於視覺受遮擋區域和紅外傳感器及其觀測區域懸掛或放置任何物體。
- 請勿以任何方式干擾視覺系統及紅外線感知系統（例如使用強光源照射視覺系統或使用鏡面反射物正對著紅外線感應器），並確保感應器鏡頭清晰無污點。
- 自動煞車功能在航拍機姿態角大於 25 度，或飛行速度高於 17 公尺 / 秒的情況下將無法正常運作。
- 請注意視覺系統與紅外線感知系統的盲區（灰色）。航拍機無法自動避開存在於盲區內的障礙物。紅外線感應器觀測範圍為 8 公尺。





## 法律規範與飛行限制

### 法律規範

#### ⚠警告

為避免違法行為、可能的傷害和損失，務必遵守以下各項規定：

1. 請勿在飛機附近操作航拍機。必要時立即降落。
2. 禁止在大型活動現場使用航拍機。這些場地包括但不限於：體育館、演唱會。
3. 請勿在當地法律禁止的區域飛行。

4. 確定航拍機飛行時，不會對航線上的大型飛機造成影響。隨時保持警覺並避開其他航拍機。

#### ⚠小心

為避免違法行為、可能的傷害和損失，務必遵守以下各項規定：

1. 禁止操控航拍機飛入法律法規規定的禁航區。禁航區可能包括：機場、邊界以及主要城市。
2. 禁止在超過限制高度的空域飛行。
3. 確保航拍機在您的視線範圍內飛行，如有必要可安排觀察員幫助您監控航拍機位置。
4. 禁止使用航拍機搭載任何違法危險物品。

#### ⚠注意

1. 確保您已清楚瞭解飛行活動的類別（例如：娛樂、公務或商業用途）。在飛行前務必取得主管機關頒發的許可證。如有必要，可向當地主管機關諮詢飛行活動類別的詳細定義說明。請注意，在某些地區與國家禁止使用航拍機進行任何形式的商業行為。
2. 禁止在敏感建築設施，例如：發電廠、水力發電廠、監獄、交通要道、政府大樓以及軍事重地附近使用航拍機。
3. 使用航拍機進行拍攝時務必尊重他人隱私權。禁止使用本產品進行任何未經授權的監視活動，這些活動包括但不僅限於對他人、團體、活動、表演、展覽與不動產進行監視。
4. 請注意，在某些地區與國家，儘管不是出於商業目的，但是使用相機對他人、團體、活動、表演、展覽等進行錄影或拍照，也會侵犯版權、隱私權或他人的其他合法權益。在某些地區與國家，小型航拍模型亦被禁止參與任何商業行為。因此，使用之前請仔細瞭解並遵循當地法律法規。

### 飛行限制

#### ⚠注意

DJI 一貫強調飛行安全，為了達到該目的，DJI 提供了多種技術手段以協助使用者能夠安全使用航拍機。DJI 不對使用者在使用該等技術手段的情況下能否完全滿足當地法律、法規及臨時飛行限制等做出任何承諾或保證。使用者對此知悉並同意其對使用航拍機期間的一切行為負責。

我們強烈建議使用者從 DJI 官網下載並安裝最新版本的韌體，以確保飛行限制功能可正常使用。飛行限制功能包括：

### 飛行限制區域

1. 飛行限制區域包括但不限於國際大型機場、兩國邊界以及主要城市及區域等。
2. 使用者可以前往 <https://flysafe.dji.com> 查詢關於飛行限制區域的清單，請注意該清單會隨時更新以適應當地法律法規。DJI 對禁飛區域的設定及提示僅為輔助保障使用者飛行安全，不保證與當地法律法規完全一致。使用者在每次飛行前，應當自行查詢飛行區域的法律法規及監管要求，並對自身的飛行安全負責。
3. 某些飛行限制區域是由多個子區域組成。每個子區域有各自的區域半徑。航拍機在最靠近機場的禁航區內時，將無法起飛。當航拍機在禁航區外的限高區域飛行時，飛行高度將受到限制，限飛高度隨著靠近「禁航區」的距離呈線性遞減。另外，使用者將無法在禁航區內使用地面站功能。
4. 使用者無法在禁航區內設定航點。

### 高度限制

1. 保持飛行高度在 120 公尺以下；飛行時航拍機應遠離任何高大建築物。
2. 如果需要在預設限制高度以上的場所飛行，使用者需要閱讀、瞭解並點擊應用程式中彈出的免責聲明資訊，方可進行後續操作。

## 安全についての概要

### 1. 環境に関する考慮事項

- 必ず建物などの障害物がない場所で飛行させてください。
- 大勢の人が集まっている場所の上空やその付近では飛行させないでください。
- 120mを超える高度での飛行は避けてください。\*
- 気温-20℃～50℃の穏やかな気象条件で飛行させてください。
- 屋内を飛行させる場合は、機体のスタビライズ機構が阻害されることがあるため特に注意してください。
- 風速が15m/sを超えるときは飛行させないでください。DJI Pilotアプリから着陸の指示があったときは、できるだけ速やかに着陸してください。

### 2. フライト前チェックリスト

- 送信機と機体のバッテリーが完全に充電されていることを確認してください。
- 各フライトの前に、プロペラが良好な状態にあり、しっかりと固定されていることを確認してください。
- モーターに障害がないことを確認してください。モーターがきれいで、汚れないことを確認してください。
- カメラレンズがきれいで、汚れないことを確認してください。
- DJI Pilotアプリに表示されるフライト前チェックリストを完了してください。DJI Pilotアプリまたはステータスインジケータから指示があったときは、コンパスおよびIMUのキャリブレーションを行ってください。
- DJI PilotアプリでGPS衛星数が6個以上であることを確認してください。
- 機体の部品を変更または改造すると、機体の安定性に影響する場合があります。互換のある外部機器は、DJI公式の指示に厳密に従って取り付けください。取り付け後、機体の総重量が9 kgを超えないようにしてください。機体の重心の移動を避けるために、公式の指示に従って外部機器が正しい位置に取り付けられていることを確認してください。
- ビジョンシステム、赤外線センサー、FPVカメラ、補助ライトレンズがきれいで、汚れや指紋がないこと、および部品（負荷部品など）によって妨げられていないことを確認してください。
- フレームアームが完全に展開され、フレームアームとランディングギアがしっかりとロックされていることを確認してください。
- 機体と送信機のポートを使用しない場合は、ゴム製プラグがしっかりと挿入されていることを確認してください。
- 機体のすべての冷却ファンに異物がないこと、および吸気口と通気口に障害物がないことを確認してください。また、ファンの動作時に異常なノイズがないことを確認してください。

### 3. 保護等級IP45

安定したフライト環境下で、TB60インテリジェント フライトバッテリー装着時のM300 RTKは、IEC60529標準のIP45保護等級を達成しています。ただし、この保護等級は恒久的なものではなく、長期間使用することで時間とともに効果が減衰することがあります。

- 1日の降雨量が100 mmを超える場合は飛行させないでください。
- 雨天の中でフレームアームを折りたたまないでください。
- バッテリーを挿入する前にバッテリーポート、バッテリー収納部、バッテリーの表面、バッテリー収納部表面が乾燥していることを確認してください。
- バッテリーを充電する前に、バッテリーポートおよびバッテリー表面にいかなる液体も付着していないことを確認してください。
- 機体をキャリアケースにしまう前に、いかなる液体も残らないように注意して拭いてください。
- 水による損傷は製品保証の対象となりません。

\* 飛行高度の制限は、管轄区域によって異なります。現地の法律および規制が定める最大高度を超えて飛行させないでください。



DJI™MATRICE™300 RTK (M300 RTK) 機体は玩具ではありません。また、18歳未満の児童を対象としていません。「安全についての概要」では、安全に関するヒントの概要のみを紹介しています。本書の残りのセクションにも目を通し、よく理解してください。

以下の環境では機体はIP45保護等級を達成しません。

- 折りたたんだ状態のフレームアーム。
- M300 RTKのTB60インテリジェント フライトバッテリー以外のバッテリーを使用している。
- ポートのカバーが正しく取り付けられていない。
- 耐水トッピングプラグがトッピングにしっかりと取り付けられていない。
- 機体シェルの破損や耐水性接着剤の塗布不良などのさまざまな原因により機体が壊れている。

### 4. 操作

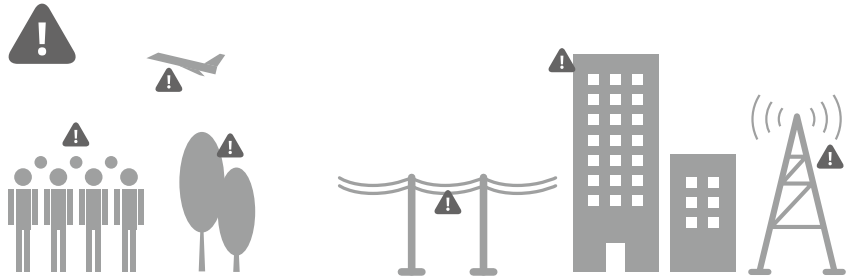
- 移動中の車両から機体を飛行させないでください。
- モーターの耐用年数への影響を避けるため、砂地やほこりの多い場所で機体を離着陸させないでください。
- 回転中のプロペラやモーターから離れてください。
- 常に、機体を目視できる範囲で操作してください。
- 飛行中にモーターを停止するには、送信機の両方のスティックを内側下角または外側下角に向けて倒してください。
- 飛行中にモーターが停止すると、機体は墜落します。フライトコントロールローラーが深刻なエラーを検出したときに限り、飛行中にモーターが停止することがあります。
- 機体には高度な技術が搭載されていますが、飛行中はパイロットの慎重な判断が必要です。障害物回避、高精度着陸、着陸保護などの安全および飛行支援機能は、オペレータの代わりをするものではなく、あくまで操作の支援を目的としています。照明や障害物の質感など、環境的要因がビジョンシステムの性能に影響を及ぼすことがあります。
- 飛行中は、電話に出たり、メールに返信するなど、機体の操作の妨げになるモバイル端末の機能を使用しないでください。飲酒または服薬時には、飛行しないでください。
- 水や雪などの反射面の近くでは、ビジョンシステムの性能に影響を受けることがあるため、飛行させないでください。
- ローバッテリー警告が表示された場合は、機体をただちに安全な場所に着陸させてください。
- フェールセーフReturn-to-Homeを実行中は、照明条件が良好でない場合、機体は障害物を回避できません。送信機信号を再び取得した場合、Return-to-Home手順を終了し、機体操作することができます。飛行前に適切なフェールセーフ高度を設定してあることを確認してください。
- 着陸後、最初にモーターを停止し、インテリジェント フライトバッテリーをオフにしてから、送信機をオフにします。
- 高度な技術が搭載されていますが、飛行中はDJI Pilotの慎重な判断が必要です。障害物回避、高精度着陸、着陸保護などの安全および飛行支援機能は、オペレータの代わりをするものではなく、あくまで操作の支援を目的としています。照明や障害物の質感など、環境的要因がビジョンシステムの性能に影響を及ぼすことがあります。DJI Pilotアプリで、Return-to-Homeの高度を周囲の障害物よりも高く設定してください。
- 着陸保護機能（地面から2メートル上空で地面が着陸に遇しているかどうかを検知）は、よりよい操作を実現するために使用されます。（明るさが不十分、または障害物表面の模様ははっきりしないなど）特定の条件下でビジョンシステムが作動しなかったり、地表面が認識できなかったりする場合は、機体操作する際には常に注意してください。

## 5. メンテナンスと保管

- 古くなった、欠けたり、損傷したプロペラは使用しないでください。
- 機体とバッテリーは、温度が22~30°Cの涼しく乾燥した場所に保管し、直射日光の当たる場所を避けてください。
- バッテリーの安全な使用に関する詳細については、インテリジェントフライトバッテリーの安全ガイドラインを参照してください。

## 6. 現地の法律および規制の順守

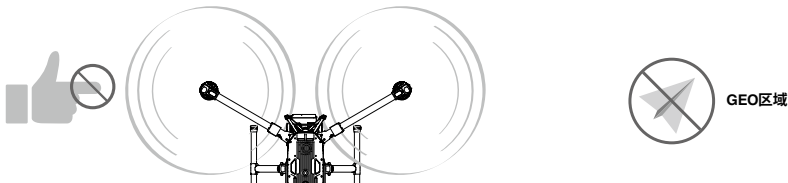
- GEO区域を飛行しないでください。これらの区域の関連情報は、<http://flysafe.dji.com/>で確認することができます。GEO区域の完全なリストと規制については、現地の航空当局に確認してください。
- 飛行高度の制限は、管轄区域によって異なります。現地の法律および規制が定める最大高度を越えて飛行させないでください。
- 救助チームが活動中の空域では、飛行を避けてください。



群衆、木、または空港の上または近くで飛行させないでください。  
送電線、基地局、高層ビルなど、強い電磁波の発生源により、機内搭載のコンパス性能が影響を受けることがあります。飛行中は常に周囲の状況に警戒してください。



雨、雪、霧、風速15 m/s超などの悪天候時には、機体を使用しないでください。



回転中のプロペラやモーターから離れてください。

詳細については、以下をご覧ください。  
<https://flysafe.dji.com>



## 注記

本書およびその他すべての付属書は、SZ DJI TECHNOLOGY CO., LTD (「DJI」)独自の裁量で変更されることがあります。最新の製品情報については、<http://www.dji.com>にアクセスして、製品ページをクリックしてください。

## 用語集

本書では、以下の用語を使って、製品操作時に起こりうる危険のレベルを示しています。

- 注意** 正しい手順に従わないと、物的損害が発生する可能性があります。負傷の可能性は全くないか、あってもごく軽微です。
- 重要** 正しい手順に従わないと、物的損害が発生するおそれとともに、重傷を負う可能性があります。
- 危険** 正しい手順に従わないと、物的損害、付随的損害、および重傷の可能性があるか、その確率が高くなります。



**警告** 操作前に、ユーザーマニュアルを最後までよく読み、機能をよく理解してから本製品を操作してください。ユーザーマニュアルの指示に従って本製品を正しく操作しないと、本製品や個人の財産の損害や重傷を引き起こすおそれがあります。

本製品は高度な機能を備えています。慎重かつ良識を持った操作とともに、基本的な機械知識が求められます。本製品を安全かつ責任を持って操作しないと、傷害や本製品またはその他の財産の損害を招くおそれがあります。本製品は、子供による使用を意図していません。互換性のない部品を使用しないでください。また、SZ DJI TECHNOLOGY CO., LTDが提供する関連資料に記載されている以外の方法で本製品を改造しないでください。本安全ガイドラインには、安全、操作、メンテナンスの手順を記載しています。本製品を安全に操作し、傷害や重傷を避けるためには、組み立て、設定、使用の前に、ユーザーマニュアルに記載されている手順と警告をすべて読み、順守することが重要です。

推奨年齢：18歳未満のお子様向けではありません。これは玩具ではありません。

## フライト前チェックリスト

1. 純正部品のみを使用しており、すべての部品が新品の状態であることを確認してください。
2. 送信機、インテリジェント フライトバッテリーおよびモバイル端末が完全に充電されていることを確認してください。
3. 電源を入れる前に、カメラレンズに異物が付着しておらず、microSDカードがジンバルカメラに挿入されていて、ジンバルが自由に回転することを確認してください。
4. プロパellerと取り付けねじがモーターにしっかりと取り付けられており、モーターが正常に始動し機能することを確認してください。
5. 画面への指示に従ってコンパスをキャリブレーションしてください。
6. DJI Pilotアプリと機体のフレームウェアが最新バージョンに更新されていることを確認してください。
7. 飛行エリアがGEO区域の外にあり、飛行条件が機体の飛行に適していることを確認してください。
8. アルコール、薬物、または認知能力を損なう可能性のある物質の影響下で飛行しないでください。
9. 選択したフライトモードに習熟し、すべての安全機能と警告を理解してください。
10. 現地のすべての規制を遵守し、適切な許可を取得し、リスクを理解してください。留意事項：適用されるすべての規制を遵守するのは、お客様の責任です。
11. 常に、機体を目視できる範囲で操作してください。FPV（一人称視点）カメラにだけ頼って機体の制御を行わないでください。
12. DJI Pilotアプリが、機体の操作をアシストできるように適切に起動していることを確認してください。DJI Pilotアプリによって記録されたフライトデータがない場合、機体の損失など特定の状況下で、DJIは、ア

ターサービスの提供や、責任を負うことができない場合があります。

13. バイロードを積載して飛行する場合は、機体のホバリング性能を常にテストしてください。総離陸重量が通常の仕様を超えないようにしてください。機体の強い機械的振動、電磁干渉、バイロシステムまたは赤外線センサーの障害がないことを確認して、機体を離陸させてください。
14. ビジョンシステム、赤外線センサー、FPVカメラ、補助ライトレンズがきれいで、汚れや指紋が付いていないこと、および部品（負荷部品など）によって妨げられていないことを確認してください。
15. フレームアームが完全に展開され、フレームアームとランディングギアがしっかりとロックされていることを確認してください。
16. 機体と送信機のポートを使用しない場合は、ゴム製プラグがしっかりと挿入されていることを確認してください。
17. 機体のすべての冷却ファンに異物がないこと、および吸気口と通気口に障害物がないことを確認してください。また、ファンの動作時に異常なノイズがないことを確認してください。

## 免責事項および警告

操作を行えるのは、18歳以上の方を対象として、機体はお子様の手の届かない場所に保管してください。また、お子様がいたるところで機体进行操作する場合は十分に注意してください。

本製品には高度な技術が搭載されていますが、不適切な使用により、傷害や物的損害を引き起こすおそれがあります。本製品を初めて使用する前に、本製品に関連する資料をお読みください。これらの文書は本製品パッケージに同梱されていますが、オンラインのDJI製品ページ (<http://www.dji.com>)でも入手できます。

本書では、ユーザーの安全および法的権利と責任に関する情報を取り扱っています。ご使用前に、本書の内容をよくお読みいただき、確実に適切な設定を行うようにしてください。本書に記載されている手順と警告を正しく理解し、従わなかった場合、機体の損失を引き起こしたり、ご自身の重傷や、機体の損傷を引き起こすおそれがあります。

本製品を使用することにより、お客様は本書の免責事項をよく読み、記載されている利用規約を理解し、順守することに同意したとみなされます。DJIアフターサービスポリシー (<http://www.dji.com/service/policy>)に掲載した明示的な規定がない限り、本製品およびすべての資料、本製品を通して得られるコンテンツは「現状のまま」および「提供されているまま」で提供され、明示、黙示を問わず、いかなる種類の保証も条件も伴いません。明示、黙示を問わず、DJIアフターサービス ポリシーに明確に規定されない限り、製品、製品アクセサリ、すべての資料に関して、DJIは以下を含む、いかなる種類の保証も一切行いません。(A) 商品性、特定目的の適切性、権限、平和享有権、非侵害に対する黙示的保証、および(B) 取引の過程、商慣習から生ずる保証、DJI限定保証に明らかな規定がない限り、製品、製品アクセサリ、製品の一部、資料が、中断されることなく、安全で、エラー、ウイルス、その他有害な部品がないことを、DJIは保証しません。また、それらの問題の修正も保証しません。

本規約に明確に記載されない限り、口頭であれ書面であれ、本製品、製品アクセサリ、資料から得られる助言や情報により、DJIまたは本製品に関する保証は発生しません。本製品、製品アクセサリ、資料の使用またはアクセスに起因するあらゆる損害に対するすべてのリスクは、お客様が負うものとします。お客様の重量とリスクにおいて本製品を使用し、けが、死亡、お客様の財産への損害（本製品と接続して使用したコンピュータシステム、モバイルデバイス、DJIハードウェアを含む）、第三者の財産への損害、本製品の使用による、あるいは使用不能によるデータの損失に対して、お客様が単独で責任を負うことについてお客様は理解し、合意するものとします。

お客様の免責を認めていない司法管轄区もあり、司法管轄区によってはお客様が別の権利を有する場合もあります。

本製品の使用により直接または間接的に発生する損害、傷害、およびその他の法的責任に対して、DJIは一切責任を負いません。お客様は、これらの安全ガイドラインの規定をはじめとする、安全で合法的な使用方法を順守するものとします。

## データの保管と使用方法

ユーザーは、当社のモバイルアプリ、製品、その他のソフトウェアの使用で、フライトテレメトリデータ（速度、高度、バッテリー駆動時間、ジンバルとカメラに関する情報等）や操作記録など、製品の使用と動作に関するデータをDJIに提供する場合があります。本製品内蔵のストレージデバイスには、フライトテレメトリデータをはじめとするさまざまな種類のデータが保存されます。また、内蔵ストレージデバイスからフライトテレメ

データやその他データを手動で当社に送信する際、その情報を当社に提供していただく場合もあります。

詳細については、DJIのプライバシーポリシー (<http://www.dji.com/policy>) に掲載)を参照してください。

## 使用を開始する前に

本製品は、以下のように正常に操作できる状態であれば、簡単に飛行させることができます。最新の注意事項と警告については、<http://www.dji.com>をご覧ください。安全な飛行と法令順守の詳細については、<http://knowbeforeyoufly.org>をご覧ください。

機体を安全に操作し、活用していただくため、以下の資料をご用意しています。

### 同梱物リスト

免責事項と安全に関するガイドライン  
インテリジェント フライトバッテリー 安全ガイドライン  
クイックスタートガイド  
ユーザーマニュアル

同梱物の資料に記載される部品をすべて確認して、フライト前に免責事項と安全に関するガイドラインをお読みください。次に、クイックスタートガイドを使用し、DJIの公式ウェブサイト (<http://www.dji.com>) でチュートリアルビデオをすべて視聴して、最初のフライトの準備をしてください。ご質問がある場合は、アプリまたはDJIの公式ウェブサイトでもユーザーマニュアルを参照し、総合的な情報を入力してください。フライト前に、各部の機能、フライトの必須条件、主な緊急警告機能とシステム、政府所管官庁の規制をすべて十分に理解しておくようにしてください。本製品の組み立て、メンテナンス、使用で不明な点や問題がある場合は、DJIまたはDJIの正規代理店にお問い合わせください。

## 各部分品

### 純正部品と機能部品について

#### ⚠警告

構成部品の不具合、深刻な怪我や物的損害を回避するため、以下の規則を順守してください。

- DJIの純正部品またはDJIが認定する部品のみをご使用ください。非純正の部品やDJI認定メーカー以外が製造した部品を使用すると、システムに不具合が発生し、安全性が損なわれるおそれがあります。
- 機体や部品内に異物(水、オイル、土、砂など)がないか確認します。
- 機体と、送信機/カメラ/ジンバル/コンパス/推進システム/バッテリーなどの構成部品がすべて正常に作動し、損傷がなく、十分に機能していることを確認します。これらの構成部品の機能を保証する方法の詳細については、本書の残りのセクションを参照してください。
- 機体、そのコンポーネント、および部品を改造または変更しないでください。不正な改造は、不具合の原因となり、機体の機能と安全性に影響を与える可能性があります。
- 機体のすべての冷却ファンに異物がないこと、および吸気口と通気口に障害物がないことを確認してください。
- ジンバルやCSMLレーダーなどのM3000 RTMと併用するアクセサリは、本機体のみで使用してください。純正以外の他製品を使用したアクセサリによって生じた損害は、ユーザーがその全責任を負うこととなります。
- 機体のポートの接続にDJI純正以外のケーブルを使用しないでください。システムの不具合の原因となり、安全性を損なう可能性があります。

### 映像伝送システム

#### ⓘ注記

- 専門家の指導の下のみ、「カスタム」モードを有効にします。そうしない場合、映像伝送信号は干渉によって遅延したり失われたりすることがあります。

### 送信機

#### ⓘ注記

- 各飛行の前にスマート送信機を完全に充電してください。
- スマート送信機がオンで、タッチスクリーンが5分間オフになってい

ると、警告音が鳴ります。警告音の10秒後に、スマート送信機の電源が自動的にオフになります。スティックを動かすか、他の操作をすると、アラートは止まります。

- アンテナを展開した状態にして、最適な伝送品質を維持できるよう、正しい位置に調整してください。
- アンテナが損傷した場合は、DJIサポートに連絡して修理または交換してください。損傷したアンテナは性能を大幅に低下させます。
- 機体を交換する場合は、スマート送信機と機体を再度リンクしてください。
- スマート送信機を使用する前に機体の電源を切ってください。
- スマート送信機は3ヶ月ごとに完全に充電してください。
- 長期間の過放電による損傷を防ぐため、スマート送信機の電力残量が10%に低下した時点で直ちに充電してください。スマート送信機を長期間保管する場合は、40~60%の電力残量になるまで充電してください。
- スマート送信機の通気口をふさがずにください。ふさがっていると、スマート送信機が過熱して性能に影響する可能性があります。
- DJI正規代理店に相談することなくスマート送信機を分解しないでください。スマート送信機の構成部品を交換する場合は、DJIまたはDJIの正規代理店に必ずご連絡ください。
- 内蔵GPSの通信を妨げないようにください。DJIスマート送信機(業務用)スクリーン取り付けブラケット(以下取り付けブラケット))が取り付けられている場合で、GPS信号が悪い時は、それを取り外してから再試行してください。
- スティックカバーの消耗を防ぐため、スティックを頻繁に分解しないでください。

### コンパス

#### ⚠注意

起こりうる深刻な怪我や物的損害を回避するため、以下の規則を順守してください。

- 飛行中に明らかにドラフトが発生した場合、ただちに着陸してください。
- 強い電磁干渉のある環境や多くの障害物がある環境で飛行させないでください。
- 離陸前に、DJI Pilotアプリによってコンパス キャリブレーションの指示があった場合は、電磁干渉のない環境でキャリブレーションをした後に離陸してください。

#### ⓘ注記

コンパスのキャリブレーションは、DJI Pilotアプリまたはステータスインジケターから行われた場合にのみ行ってください。コンパスをキャリブレーションするときは以下のルールを順守してください:

- 磁鉄鉱、立体駐車場、地下の鋼鉄補強材など磁性干渉を受ける場所では、コンパスのキャリブレーションを行わないでください。
- キャリブレーション中は、携帯電話など強磁性体を携帯しないでください。
- キャリブレーション完了後にコンパスが強い干渉の影響を受けた場合、DJI Pilotアプリはコンパスの問題を解決するよう促します。表示される指示に従ってコンパスの問題点を解決してください。

### 推進システム

#### ⚠警告

回転中のプロペラとモーターによって起こりうる、ご自身または他人への重大な傷害を避けるために、次の規則を順守してください。

#### プロペラ

- 古くなった、欠けたり、損傷したプロペラは使用しないでください。
- プロペラに触れる前に、必ず機体の電源をオフにしてください。
- プロペラの取り付けまたは取り外しを行うときは、プロペラの鋭い先端に注意してください。プロペラに触れるときは、手袋を着用するか、他の保護対策を講じてください。
- 必要な場合は必ず、ツール(レンチ、ドライバー、プライヤーなど)を使用してプロペラの取り外し、取り付けを行ってください。
- プロペラと取り付けネジがしっかりと取り付けられ、モーターから脱落しないようにしてください。

- プロペラを取り付ける場合や周囲に人や動物がいる場合は、モーターの電源を入れないうでください。
- サードパーティのプロペラを使用すると、機体の空力特性が損なわれる可能性があります。安全で快適な飛行操作のため、必ずDJI純正プロペラのみを使用することをお勧めします。
- プロペラが霜で覆われないように、周囲温度が約0°Cの場合は各フライトの前にプロペラを拭いて乾かします。

#### モーター

- モーターがしっかりと取り付けられ、スムーズに回転することを確認してください。
- 適切な取り付けを行い、各フライトの前にモーターが正常に機能することを確認してください。モーターの通気口が塞がれている場合は、飛行前に障害物を取り除いてください。カバーが経年劣化、損傷、変形している場合は、DJIまたはDJI正規代理店にご連絡ください。
- モーターの構造を改造しないでください。
- 飛行後、モーターが高温になっていることがあるため、モーターに触れたり、手や体が接触したらないようにしてください。

#### 電子速度コントローラー

- 指示があった場合、各フライトの前にアプリのプロンプトに従って、電子速度コントローラーの異常を修正してください。
- DJI Pilotアプリが、電子速度コントローラーに問題があることを示している場合は（温度超過、低電圧、または過負荷など）、機体を着陸させてください。

#### 注意

起こりうる深刻な怪我や物的損害を回避するため、以下の規則を順守してください。

- モーターの通気口を塞がないでください。
- 機体のフレームアームの通気口を塞がないでください。

#### 注記

#### モーター

- モーターの耐用年数への影響を避けるため、砂地やほこりの多い場所で機体を離陸させたり、着陸させたりしないでください。
- モーターにほこりがなく、モーターの通気口がふさがれていないことを確認してください。
- モーターが動かず、自由に回転しない場合は、CSC（コンビネーションステックコマンド）を実行して、モーターをただちに停止してください。

#### 電子速度コントローラー

電源を入れたとき、電子速度コントローラーの音に異常がないことを確認してください。

#### DJI Pilotアプリ

#### 注記

- アプリを起動する前に、タブレットまたはモバイル端末（使用する場）を完全に充電しておいてください。よ
- 携帯電話をモバイル ディスプレイ機器として使用している場合は、電話が着信を受けたときでも安全飛行を続けてください。フライト中に電話を受けないでください。
- DJI Pilotアプリを使用する際は、モバイルデータ通信容量を使用します。データチャージについてはお使いの通信会社にお問い合わせください。
- 画面に表示される安全性に関するヒント、警告メッセージ、および免責事項をよくお読みください。お使いの地域の関連法規を事前に確認しておいてください。ユーザーには、関連法規をすべて理解、順守して飛行する責任があります。
  - ホームポイントをリセットする前に、警告メッセージを読んで理解しておいてください。
  - 規制制限よりも高い高度に設定する前に、警告メッセージと免責事項を読んで理解しておいてください。
  - フライトモードを切り替える前に、警告メッセージと免責事項を読んで理解しておいてください。
- アプリアラートが表示された場合は、機体をただちに安全な場所

へ着陸させてください。

- 各フライトの前にアプリに表示されるチェックリストのすべての警告メッセージをよく読み、確認しておいてください。
- これまでに機体の操作をしたことがない場合、または機体を快適に操作するのに十分な経験がない場合には、DJI ASSISTANT™2を使って、飛行スキルを向上させてください。
- 飛行を開始する前にインターネットに接続して、飛行地域の地図データをキャッシュしてください。
- このアプリの目的は、操作をアシストすることにあります。アプリに頼りすぎず、ご自身の裁量に基づいて機体を制御してください。
- アプリの使用は、DJI Pilotアプリの利用規約とDJIプライバシーポリシーの対象となります。アプリでこれらをよくお読みください。

#### ファームウェア

#### 警告

子供や動物への深刻な傷害を避けるために、次の規則を守ってください。

- ファームウェアの更新、システムのキャリブレーション、パラメータ設定の作業中は、安全確保のため、子供や動物を近づけないでください。

#### 注記

- 安全のために、ファームウェアの更新通知がDJI Pilotアプリに表示された場合は、必ず最新バージョンに更新してください。
- ファームウェアの更新通知は、新しいファームウェアの更新に関する通知です。表示される情報を読んで理解する必要があります。
- 機体のファームウェアを更新した後は、必ず送信機のファームウェアも最新バージョンに更新してください。
- 更新後、送信機と機体とのリンクが切れる場合があります。
- ファームウェア更新を実行する前に、すべての接続を確認し、モーターからプロペラを取り外してください。

#### SDK

#### 注記

- DJI SDKを使用する前に、DJI SDKの利用規約とDJIプライバシーポリシーに同意する必要があります。これらの利用規約とプライバシーポリシーはDJIの法的責任を部分的に限定するものではありません。https://developer.dji.com/policies/で、それらを注意深くお読みください。

#### カメラ（別売品）

#### 警告

起こりうる深刻な怪我や物的損害を回避するため、以下の規則を順守してください。

- カメラの通気口をふさがないでください。熱が発生して、使用者が負傷したり、機器が損傷したりするおそれがあります。

#### 注記

- 使用する前にカメラの設定をチェックして、ニーズに応じて調整されていることを確認してください。
- 重要な写真やビデオを撮影する前に、いくつかのテスト画像を撮影してカメラをテストし、正しく動作していることを確認してください。
- ジンバルの電源がオフのときに、microSDカードをジンバルカメラから抜かないでください。公式に推奨されるmicroSDカードを使用してください。
- インテリジェント フライト バッテリーの電源は、必ず正しい手順でオフにしてください。誤った手順で電源をオフにすると、カメラのパラメータが保存されず、撮影されたビデオが損傷するおそれがあります。
- 理由の如何を問わず、機械が読み取れない方式で記録される、または記録された画像や動画の不具合に対して、DJIは一切責任を負いません。

#### ジンバル（別売品）

#### 注記

- 衝突や衝撃によりジンバルの精密性が損なわれるおそれがあります。損傷があると、ジンバルが異常な動きをすることがあります。
- ジンバルの電源を入れた後、ジンバルに外力をかけないでください。
- ジンバルに負荷をかけないでください。ジンバル動作の不具合や、モーター損傷を引き起こすおそれがあります。
- ジンバルおよびジンバルコネクターは大変繊細な装置です。注意し

て取り扱ってください。損傷すると、ジンバルの誤動作の原因になりますので、ジンバルコネクタには手を触れないでください。

- ジンバルの取り外し再取り付けを行うときは、落下しないようにジンバルをしっかりと持ってください。
- 機体の電源を入れたままジンバルの取り付け、取り外しをしないでください。
- 複数のジンバルシステムを使用する場合は、ユーザーマニュアルの指示に厳密に従い、互換性のあるジンバルカメラを正しく取り付けてください。

## 本製品の手入れ

### 保管と輸送

#### ⚠警告

子供や動物への深刻な傷害を避けるために、次の規則を守ってください。

- ケーブルやストラップなどの小さい部品は、飲み込むと危険です。すべての部品を子供やペットの手の届かない場所に保管してください。

#### 📌注記

- バッテリーを定期的に完全に充電および放電で、バッテリーを良好な状態を保ってください。バッテリーの安全な使用に関する詳細については、インテリジェントフライトバッテリーの安全ガイドラインを参照してください。
- カメラを、水、その他の液体に接触させたり、浸したりしないでください。万が一濡れた場合は、柔らかく吸収性の高い布で拭いて、乾かしてください。落下し浸水した機体の電源を入れると、構成部品が完全に損傷する恐れがあります。アルコール/ベンジン/シンナーなどの可燃性物質を含む物質を用いて、カメラを清掃したりメンテナンスしたりしないでください。湿気やほこりが多い場所にカメラを保管しないでください。
- 長期間保管する場合や長距離輸送する場合は、機体からジンバルを取り外してください。
- 本製品をイー・ジョン2.0より古いUSBインターフェイスに接続しないでください。本製品を「Power USB」や、それに似たデバイスに接続しないでください。
- フレームアームとプロペラは、移送中は元の場所に折りたたんでください。アンテナが損傷する恐れがあります。IMUやその他の部品の損傷を防ぐため、機体を静かに地面に置いてください。

### メンテナンスと保管

#### 📌注記

- 墜落または激しい衝撃があった場合は、製品の検査または修理のためにDJI推奨のサービスセンターにお問い合わせください。損傷した機体の操作は非常に危険であり、人身傷害または物的損害の原因となる可能性があります。
- バッテリーを定期的に完全に充電および放電で、バッテリーを良好な状態を保ってください。バッテリーの安全な使用に関する詳細については、インテリジェントフライトバッテリーの安全ガイドラインを参照してください。
- 飛行の安全性と信頼性のために、定期的にメンテナンスサービスを予定し、受けることをお勧めします。ご使用前に「インテリジェントフライトバッテリー安全に関するガイドライン」を参照してください。
- バッテリー残量インジケータを定期的に確認して、現在のバッテリー残量とバッテリー駆動時間を確認してください。バッテリーの定格は200サイクルです。それ以上の使用は、推奨していません。バッテリーの安全な使用およびメンテナンスに関する詳細については、インテリジェントフライトバッテリーの安全ガイドラインを参照してください。
- 製品をできるだけ良好の状態に保ちながら、安全性を脅かす潜在的に生じる安全上のリスクを下げるために、製品を長時間使用した後は、メンテナンスマニュアルを参照し、製品チェックとメンテナンスを行ってください。メンテナンスの頻度は、製品の使用頻度によって異なりますが、少なくとも6ヶ月に1度行う必要があります。DJIに製品を送付して、メンテナンスを行うこともできます。詳細は、<https://enterprise.dji.com/enterprise-maintenance>でご確認ください。
- M300 RTKのパーツには、安全寿命設計が施されています。初回使用時から計算して、プロペラやジンバルダンパーのような摩耗パーツは300時間、推進システムは900時間の安全寿命設計が施されています。安全寿命設計の耐用時間を超過した後には製品を使用しない場合、安全上の潜在的なリスクが生じる可能性があります。製品を使用し続けたこと起因して生じたあらゆるリスクについて、DJIは一切の責任を負いません。

## フライトの必須条件

### 気象条件と周辺環境

#### ⚠警告

機体は、良好または穏やかな気象条件で正常に動作するように設計されています。墜落、重傷、物的損害を回避するため、以下の規則を順守してください。

- 悪天候時に機体を使用しないでください。悪天候とは、風速15 m/s 以上の強風、雪、豪雨、スモッグ、霧、雹、電巻や台風などです。
- フライト時には、機体を障害物、人、動物、建造物、公共インフラ、木々、水域から10 m以上離してください。高度が上昇するにつれて、上記のものからさらに離れてください。
- 機体を屋内で操作する場合は、特に注意してください。機体の一部の機能、特にスタビライズ機構が影響を受ける場合があります。
- 屋内で飛行するときは、必ずビジョンシステムを有効にしてください。水上、明確なパターンのない地面上、または薄暗い環境で飛行している場合、ビジョンシステムは正常に動作しない場合があります。

#### 📌注記

- 機体やバッテリーの性能は、空気密度や気温などの環境要因に左右されます。
  - 温度が-20℃～50℃の範囲外にあるときは、機体を操作しないでください。
- 事故、火災、爆発、洪水、津波、雪崩、地滑り、地震、粉塵、砂嵐の環境下では、機体を使用しないでください。

### 通信障害

#### 📌注記

- 機体の一部が衝突または墜落したかどうかを確認してください。必要に応じて、DJIサポートまたは正規代理店に連絡してください。
- 飛行は周囲で飛行した屋外のみで行ってください。高層ビル、鉄骨の建物はコンパスやGPS信号の正確性に影響を及ぼすおそれがあります。
- 送信機との無線機器との干渉を避けてください。モバイル端末のWi-Fiを必ずオフにしてください。
- 磁性干渉や無線干渉のある地域周辺を飛行する場合は特に慎重に操作してください。これらには、高電圧線、大規模送電ステーションまたはモバイル基地局および放送塔が含まれますが、これらに限定されません。磁性干渉や無線干渉のある地域で使用すると、本製品の伝送品質の低下、送信機および動画伝送エラーが発生するおそれがあります。その場合、飛行方向と位置精度に影響することがあります。過度な干渉がある地域では、機体が異常な動作をしたり、制御できなくなったりすることがあります。

### 責任ある機体操作

#### ⚠警告

深刻な怪我や物的損害を回避するため、以下の規則を順守してください。

- 服薬、麻酔などの影響がないこと、めまい、疲労、吐き気などの症状がないこと、また、身体的、精神的に、機体を安全に操作する能力があることを確認してください。
- 着陸したら、まず機体の電源を落としてから送信機の電源を切ります。
- 建物、人体、動物に危険なペリロードを落下させたり、それらに向けて打ち上げ、発射したりしないでください。人的障害や物的損害が生じるおそれがあります。
- 墜落した、または誤って衝突した機体、または状態の悪い機体を使用しないでください。

#### 📌注記

- 必ず十分な訓練を受け、事故発生時に緊急時対策を把握しておいてください。
- 飛行計画が策定されていることを確認し、無謀な飛行は行わないでください。
- カメラを使用するときは、他人のプライバシーを尊重してください。現地のプライバシー法、規制、および道德基準を遵守してください。
- 一般的な個人使用以外の理由で本製品を使用しないでください。本製品をスパイ行為、軍事作戦、不正捜査など、違法または不適切な目的のために使用しないでください。
- 本製品を中傷、虐待、嫌がらせ、ストーキング行為、脅迫、またはプライバシー権/プライバシー権など他人の法的権利を侵害する行為に使用しないでください。
- 他人の私有地に侵入しないでください。

## フライトモード、機能および注意事項

### フライトモード

#### ⚠️警告

各フライトモードでの機体の動作を十分に理解していない限り、PモードからSモードまたはTモードに切り替えないでください。Pモードから他のモードに切り替える前に、アプリの「マルチフライトモード」設定をオンにしてください。

次の両方の条件が満たされると、機体は自動的にATTIモードになります。(1)ピジョンシステムが使用できない、(2)GPS信号が弱い、またはコンパスに干渉が発生する。

ATTIモードでは、ピジョンシステムおよび一部の高度な機能を使用できません。そのため、このモードでは測位や自動ブレーキを使用できません。また、機体が周囲の状況に影響を受けやすく、水平方向に移動する場合があります。ロ送信機を使用して機体の位置を制御してください。

ATTIモードでの機体操作は難しいことがあります。機体をATTIモードに切り替える前に、このモードでも安定して飛行できることを確認してください。機体と自分との距離が離れすぎないようにしてください。コントロールを失って事故を引き起こすおそれがあります。

GPS信号の弱いエリアや狭いスペースでの飛行は避けてください。飛行させる前、機体は強制的にATTIモードになり、飛行上の危険につながる恐れがあります。危険を避けるためにすぐに安全な場所に着陸させてください。

#### 📌注記

Pモードは、たいていのシナリオでの飛行に適しています。他のモードで飛行する場合、一部の機能が利用できないため、追加の予防措置を講じておく必要があります。ATTIモードで飛行する場合、一部の機能はATTIモードでは使用できないため、追加の予防措置を講じておく必要があります。屋内で飛行する場合、明確なパターンのない地面上を飛行するとき、機体は正確なホバリングを実行できません。完全な屋内飛行基準については、「ピジョンシステムと赤外線検知システム」のセクションを参照してください。

1. Pモード(ポジション): Pモードは、強いGPS信号受信時に最適に動作します。機体はGPSとピジョンシステムを利用して自動的に安定します。
2. Sモード(スポーツ): Sモードは、機体の操縦性を向上させるために機体のゲイン調整を行うこと以外、フライトコントローラーの設定に関してはPモードと同じです。このモードでは機体の最大飛行速度が速くなります。
3. Tモード(トライポッド): TモードはPモードに基づいていますが、飛行速度が制限されているため、機体の動きをより簡単に制御できます。

### Return-to-Home

#### 📌注記

1. Return-to-Home機能は、天候、環境、または近くの磁場の影響を受け場合があります。
2. 機体必ず送信機の伝送範囲で操作してください。
3. 送信機のRTH(Return-to-Home)ボタンを押すと、送信機の電源を切る代わりに、Return-to-Homeのプロセスを開始します。機体は、記録された最新のホームポイントまで飛行します。
4. 極端に暗い(15ルクス未満)または明るい(10,000ルクス超)の表面上を飛行している場合は、機体が障害物を回避することができません。ピジョンシステムに依存せず、機体の制御中は常に注意を怠らしないでください。必要に応じて自分で機体を制御するか、RTHボタンを押して機体がホームに戻るのを停止してください。
5. 高層ビルはフェールセーフ機能に悪影響を与える可能性があります。そのため、飛行を開始する前に適切なフェールセーフ高度を設定しておくください。ホームに戻っている間に機体の高度を調整してください。
6. GPS信号が不十分(GPS信号が3本以下)、またはGPSが機能していない場合、Return-to-Homeは機能しません。
7. 送信機信号が失われ、GPS信号が弱い場合、機体がホームポイントを検出できない場合、機体は8秒間ホバリングし、「P」モードの場合は自動着陸します。
8. バッテリー駆動時間が許す限り、機体は最初に、フェールセーフRTH中に送信機と接続していた最後の位置に戻ることができます。その結果、最初に機体と自分とは反対の方向に飛行してから、ホームポイントに戻る場合があります。

### ローバッテリー

#### 📌注記

1. 重度のバッテリー残量警告が発動されて、機体が着陸のために自動的に下降する際には、スロットルを上に戻し機体の高度を維持し、よ

り適切な着陸地点へ機体を誘導することができます。

2. バッテリー警告が発動された場合、機体をホームポイントまたは着陸地点に速やかに戻す、または着陸させることで、飛行中に電力が失われて、機体、私有地、動物、および人に損傷を与えないようにしてください。

### D-RTK2

#### 📌注記

1. DJIの純正部品またはDJIが認定する部品のみをご使用ください。非純正の部品やDJI認定メーカー以外が製造した部品を使用すると、システムに不具合が発生し、安全性が損なわれるおそれがあります。
2. 線は無線干渉のない開けた環境で行ってください。
3. D-RTK2アンテナを遮らなくてください。

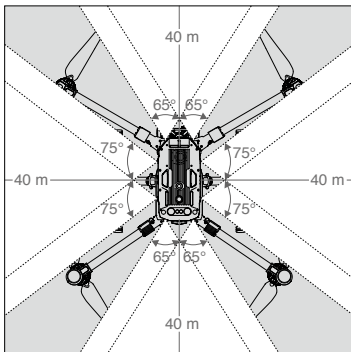
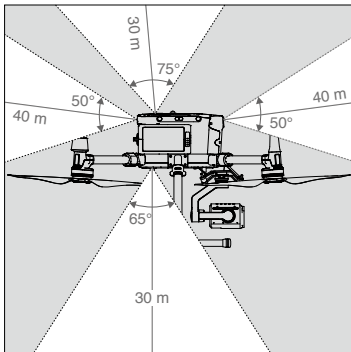
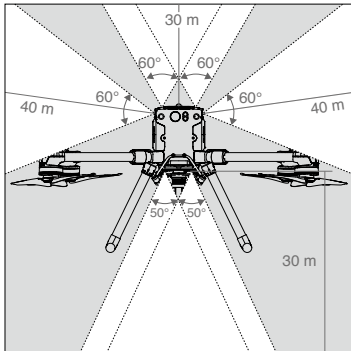
### ピジョンシステムおよび赤外線検知システム

#### 📌注記

1. ピジョンシステムは、はっきりとしたパターンの変化がある地表の上空最大30メートルに達する高さで適切に機能します。機体が高度0.5メートル未満で高速飛行している場合、ピジョンシステムは機能しません。
2. 機体が水面上を飛行している場合、ピジョンシステムが適切に機能しないことがあります。ピジョンシステムに頼りすぎないようにし、機体を慎重に操作してください。
3. ピジョンシステムは、次のような状況では適切に機能しません。
  - a. モノクロ(黒一色、白一色、赤一色、緑一色など)の表面上を飛行している場合。
  - b. 反射率が高い地面上を飛行している場合。
  - c. 水または透明な地面上を飛行している場合。
  - d. 動いている表面や物体の上(移動している人の上、風に吹かれている葦原、低木、草むらなど)を飛行している場合。
  - e. 明るさが頻繁に変化する、激しく変化するエリアでの飛行、または強い光に直接さらされるエリア。
  - f. 非常に暗い(15ルクス未満)または非常に明るい(10,000ルクス超)の表面上を飛行している場合。
  - g. 高速(高度2mを14m/s以上、または高度1mを5m/s以上)で飛行している場合。
  - h. 小さな障害物がある場合。
  - i. レンズが汚れている(雨滴、指紋など)。
  - j. 視界不良の場面(濃霧など)。
4. 赤外線検知システムは、以下のいずれかの状況では、正確な距離を提供できない可能性があります。
  - a. 音波を吸収できる表面上(純粋な黒い無光沢の物体など)を飛行している場合。
  - b. 強力な反射板が15mを超える広い領域にある場合(例えば、複数の交通標識が並列で配置されている)。
  - c. 小さな障害物がある場合
  - d. 鏡または透明な物体(鏡、水、ガラスなど)がある場合。
5. 機体が衝突した場合は、ピジョンシステムおよび赤外線検知システムが必要ですが、DJI Pilotアプリから指示があった場合は、ピジョンシステムのキャリブレーションを行ってください。
6. 雨や霧の天候、または視界が不明瞭な環境(100m未満の視界)での飛行は避けてください。
7. ピジョンシステムと赤外線検知システムのセンサーは常に清潔に保ってください。

- a. 表面のフィルム、ステッカー、その他の障害物を取り除いてください。
  - b. 水漬、指紋、汚れなどがある場合は、最初にきれいに拭いてください(アルコールなどの有機溶剤ではなく、清潔な布を使用してください)。
  - c. 表面のガラスが落ちたり、割れたり、傷がついたり、摩耗したりした場合は、DJIのアフターサービスまたは地元の販売店にご連絡ください。
8. ピジョンシステム、赤外線検知システム、およびそれらの観測範囲を遮る場所に物をぶら下げたり、置いたりしないでください。
  9. ピジョンシステムおよび赤外線検知システムの妨害をしないでください(強力な光源を使用してピジョンシステムを照らしたり、赤外線センサーに向けて鏡面反射器を使用するなど)。また、センサーレンズがきれいになっていないことを確認してください。
  10. 機体の姿勢角が25度を超える場合、または速度が17m/sを超える場合、ピジョンシステムおよび赤外線検知システムは、障害物から安全な距離で機体を制御および停止することができます。
  11. ピジョンシステムおよび赤外線検知システムの死角(灰色部分)に留意してください。赤外線センサーの観測範囲は8mです。





## 規制およびGEO区域の遵守

### 規制

#### ⚠️ 警告

法令不履行、重傷、物的損害を回避するため、以下の規則を順守してください。

1. 高度に関係なく、有人の航空機周辺で機体を操作しないでください。必要であれば、速やかに着陸させてください。
2. スポーツイベントやコンサートなどを含む(ただし、これらに限定しない)大規模なイベントが開催されている場所で機体を飛行させないでください。
3. 現地の法律で禁止されている場所で機体を飛行させないでください。
4. 認可を受けた高度を超えて機体を飛行させないでください。有人の

機体の航路から十分な距離を保ち、運航を妨げないでください。常に他の機体や障害物に注意して、回避してください。

#### 注意

深刻な怪我や物的損害を回避するため、以下の規則を順守してください。

1. 現地法および規制で指定されたGEO区域内やその周辺を飛行しないでください。GEO区域には空港、2つの主権国または地域の国境、大都市/地域間の境界などがあり、常に更新されています。
2. 認可を受けた高度を超えて機体を飛行させないでください。
3. 必ず機体を自視 (VLOS) 内で操作し、必要に応じて立会者の支援を要請してください。
4. 違法または危険な物品/ペイロードの運搬に機体を使用しないでください。

#### 注記

1. 実施するフライトの内容/種類(レクリエーション、公共利用、商業的使用など)を理解して、関係所管庁から飛行に関連する承認と認可を受けていることを確認してから、飛行してください。包括的な定義と特定の要件については、地元の規制当局に相談してください。米国で機体を操作するユーザーについては、最初 <http://www.knowbeforeyoufly.org/> にアクセスして、状況に応じた適切な措置を講じてください。
2. 特定の国と地域では、リモート制御の機体を使った商業活動を禁止している場合がありますので、ご注意ください。ここに記載されているものとは異なる可能性があるため、飛行する前に適用されるすべての法律および条例を確認しておいてください。
3. 発電所、水処理施設、矯正施設、交通量の多い道路、政府施設、軍事用ゾーンなど、慎重な対処が求められる基幹施設や敷地周辺を飛行しないでください。
4. カメラを使用するときは、他人のプライバシーを尊重してください。いかなる人物、団体、イベント、パフォーマンス、展示会、敷地においても、認可を受けていない場合やプライバシーに関わる場合には画像撮影または動画の撮影などの調査を実施しないでください。個人的目的で画像撮影または動画撮影を行う場合でも、同様の配慮が必要です。
5. 特定の地域では、カメラを使用したイベント、公演、展示、商業施設の画像や動画の記録は、画像や動画が個人使用のために撮影された場合でも、著作権やその他の法的権利に違反する場合がありますのでご注意ください。

### 飛行制限

#### 注記

DJIは、飛行安全性に真剣に取り組み、ユーザーがより安全に飛行できるように様々な補助ツールを開発しています。これらの補助ツールは、適用されるすべての法律、規制、および一時的な飛行制限への順守を保証するものではありません。DJIの機体の飛行に関し、すべての行為は全面的にユーザーの責任となります。ファームウェアを最新バージョンに更新して、以下の機能がすべて更新されていることを必ず確認することを推奨します。

#### GEO区域

1. すべてのGEO区域は、DJI公式ウェブサイト <http://www.dji.com/flysafely> に一覧表示されています。GEO区域は異なるカテゴリーに分けられており、空港、有人飛行機が低空で操縦されている飛行場、国境、発電所などの要注意区域、大規模なイベントが開催されている場所などが含まれています。
2. 飛行制限は場所に応じて変わります。特定の区域での制限に応じて、DJI Pilot アプリに警告が表示され、離陸が禁止される場合があります。また、飛行高度が制限されるか、機体が自動着陸などの処置が自動的に実行される場合があります。
3. 機体がGEO区域内またはその周辺にいる場合、飛行に関連する機能はある程度の影響を受けます。これらの影響には、機体が減速する、飛行タスクを作成することができない、実行中の飛行タスクが中断するなどがありますが、これらに限りません。
4. GEO区域制限に基づいて操作しても、適用されるすべての法律、規制および一時的な飛行制限の順守は保証されません。法を順守するために、弁護士または地域の管轄当局にお問い合わせください。

#### 高度制限

1. 高度120mより上空は飛行しないでください。また、周辺の障害物からは安全な距離を確保してください。現地の法律および規制により、法定最大飛行高度は低くなる場合があります。適用されるすべての法律を厳守してください。
2. デフォルトの高度制限を超えて飛行する場合、新しい高度制限を有効にするには、指示された免責事項に同意する必要があります。

## 안전 지침 요약

### 1. 환경적 고려 사항

- 항상 건물과 기타 장애물이 없는 장소에서 비행하십시오.
- 사람들이 많은 장소 주변 또는 그 위로 비행하지 마십시오.
- 120m 고도를 초과하여 비행하지 마십시오.\*
- 기온이 -20~50°C 사이인 일반적인 기상 조건에서만 비행하십시오.
- 실내 비행 중에는 기체 안정화 기능이 영향을 받을 수 있으므로 추가적인 주의를 기울이십시오.
- 풍속이 15m/s 또는 33.5mi/h를 초과할 때 비행하지 마십시오. DJI Pilot 앱에 착륙하려는 알림이 뜨면 가능한 한 빨리 기체를 착륙하십시오.

### 2. 비행 전 체크리스트

- 조종기 및 기체의 배터리가 완전히 충전되었는지 확인하십시오.
- 각 비행 전에 프로펠러가 양호한 상태에 고 단단히 조여있는지 확인하십시오.
- 모터 회전을 방해하는 요소가 없는지 확인하십시오. 모터가 깨끗하고 얼룩이 없는지 확인합니다.
- 카메라 렌즈가 깨끗하고 얼룩이 없는지 확인하십시오.
- DJI Pilot 앱에 표시된 비행 전 체크리스트를 작성합니다. DJI Pilot 앱 또는 상태 표시 알림창에서 수행하라고 불리는 경우에만 콤파스와 IMU 캘리브레이션을 수행하십시오.
- DJI Pilot 앱에서 GPS 위성 번호가 6보다 작지 않도록 하십시오.
- 기체의 부품을 변경하거나 수정하면 안정성에 영향을 줄 수 있습니다. DJI의 공식 지침을 엄격하게 따라 호환 가능한 외부 장비를 부착하고, 부착 후 기체의 전체 무게가 9kg를 초과하지 않도록 하십시오. 기체의 무게 중심 위치를 피하기 위해 외부 장비가 공식 지침에 제공된 대로 올바른 위치에 장착되어 있는지 확인하십시오.
- 비전 시스템, 적외선 센서, FPV 카메라 및 보조용 렌즈가 깨끗하고 얼룩이나 지문이 없어야 하며 어떤 부품(예: 부착된 하중)의 방해도 없어야 합니다.
- 프레임 안이 완전히 펼쳐져 있고, 프레임 안과 랜딩 기어가 단단히 잠겼는지 확인합니다.
- 기체 및 조종기의 포트를 사용하지 않을 때는 고무 플러그가 단단히 삽입되어 있어야 합니다.
- 기체의 모든 냉각 팬에게 이물질이 없는지 확인하고 공기 흡입구와 공기 통풍구에 장애물이 없어야 합니다. 또한 팬이 일체의 비정상적인 소음 없이 작동하는지 확인하십시오.

### 3. IP45 보호 등급

- 안정적인 실험실 조건에서 M300 RTK는 TB60 인텔리전트 플라이트 배터리 장착 시 IEC60529 표준을 기준으로 IP45 보호 등급을 만족합니다. 그러나 이 보호 등급은 영구적인 것이 아니며 장기간 사용 후 성능이 저하될 수 있습니다.
- 일일 강수량이 100mm가 넘는 날에는 비행하지 마십시오.
  - 빗속에서 프레임 안을 집지 마십시오.
  - 배터리를 삽입하기 전에 배터리 포트, 배터리 함 포트, 배터리 표면 및 배터리 함 표면이 건조되었는지 확인하십시오.
  - 배터리를 충전하기 전에 배터리 포트와 배터리 표면에 액체가 없는지 확인하십시오.
  - 기체를 운반 케이스에 포장하기 전에 조심스럽게 닦아서 액체가 없도록 하십시오.
  - 제품 보증은 물로 인한 손상을 보장하지 않습니다.



DJI™ MATRICE™ 300 RTK(M300 RTK) 기체는 정년감이 아니며 18세 미만의 어린이와 청소년이 사용하기에 적합하지 않습니다. 안전 지침 요약은 안전 관련 정보에 대한 간략한 개요만 제공한다. 점에 유의하십시오. 반드시 이 문서의 나머지 부분을 읽고 이해해야 합니다.

기체는 다음과 같은 상황에서 IP45 보호 등급을 달성하지 못합니다.

- 접힌 프레임 안.
- M300 RTK의 TB60 인텔리전트 플라이트 배터리 외 다른 배터리를 사용한 경우.
- 포트 커버가 올바르게 부착되어 있지 않은 경우.
- 내후성 상단 쉘 플러그가 상단 셸에 단단히 부착되지 않은 경우.
- 기체 쉘 반송, 파손 집착체의 불량 등 다양한 이유로 기체가 파손된 경우.

### 4. 작동

- 움직이는 차량에서 기체를 조종하지 마십시오.
- 모터 작동 수명이 영향을 받지 않도록 모래 또는 먼지가 많은 곳에서 이륙하거나 착륙하지 마십시오.
- 회전하는 프로펠러와 모터에 접근하지 마십시오.
- 항상 기체를 시야에서 놓치지 말고 주의하십시오.
- 모터를 비행 중에 멈추려면, 조종기의 양쪽 조종 스틱을 하단의 안쪽 모서리나 바깥쪽 모서리로 당겨줍니다.
- 비행 중 모터를 정지하면 기체가 추락하게 됩니다. 비행 컨트롤러에서 심각한 오류를 감지한 경우에만 비행 도중에 모터를 중지할 수 있습니다.
- 기체에는 첨단 기술이 탑재되어 있지만 비행 중에는 조종사의 올바른 판단이 필요합니다. 장애물 회피, 정밀한 착륙 및 착륙 보호와 같은 안전 및 비행 지원 기능은 사람의 조종을 대신에 하기 위한 것이 아닌, 돕기 위해 설계된 것입니다. 조영과 장애물의 표면 질감을 포함한 환경 조건은 비전 시스템의 성능에 영향을 미칠 수 있습니다.
- 모바일 기기가 걸려 오는 전화를 받거나 문자 메시지에 응답을 보내는 등, 비행 중 기체의 조종을 방해할 수 있는 행동을 하지 마십시오. 술을 마시거나 약물을 복용한 상태에서는 비행하지 마십시오.
- 물 또는 눈과 같이 반사율이 잘 되는 표면에 근접해서 비행하지 마십시오. 이런 지형은 비전 시스템의 성능에 영향을 줄 수 있습니다.
- 배터리 부족 경고가 표시되는 경우 즉시 기체를 안전한 장소에 착륙시키십시오.
- 페일세이프 리턴 후 홀 절차 진행 중에 정역 상태가 좋지 않을 경우에는 기체 장애물을 피할 수 없습니다. 리턴 후 홀 절차를 종료하고 조종기 신호가 다시 잡힐 때 다시 기체를 작동할 수 있습니다. 각 비행 전에 적합한 페일세이프 고도를 설정합니다.
- 착륙 후 먼저 모터를 멈추고 인텔리전트 플라이트 배터리를 끈 다음 조종기를 끕니다.
- DJI Pilot 앱은 첨단 기술을 갖추고 있지만 비행 중에는 적절한 상황 판단이 필요합니다. 장애물 회피, 정밀한 착륙 및 착륙 보호와 같은 안전 및 비행 지원 기능은 사람의 조종을 대신에 하기 위한 것이 아닌, 돕기 위해 설계된 것입니다. 조영과 장애물의 표면 질감을 포함한 환경 조건은 비전 시스템의 성능에 영향을 미칠 수 있습니다. DJI Pilot 앱에서 주변 장애물보다 높은 고도로 리턴 후 홀 고도를 설정하십시오.
- 조종 경험을 최적화하기 위해 착륙 보호(지상 2미터 고도에서 지면이 착륙에 적합하지 않음)를 사용합니다. 특정 상황(예: 어두운 조명 또는 불명확한 장애물 표면 패턴)에서는 비전 시스템이 비활성화되어 지면 감지 기능이 작동하지 않을 수 있으므로 기체를 조종할 때는 항상 경계해야 합니다.

\* 비행 고도 제한은 관할권에 따라 다릅니다. 현지 법규 및 규정에 명시된 최대 고도를 넘지 않도록 하십시오.

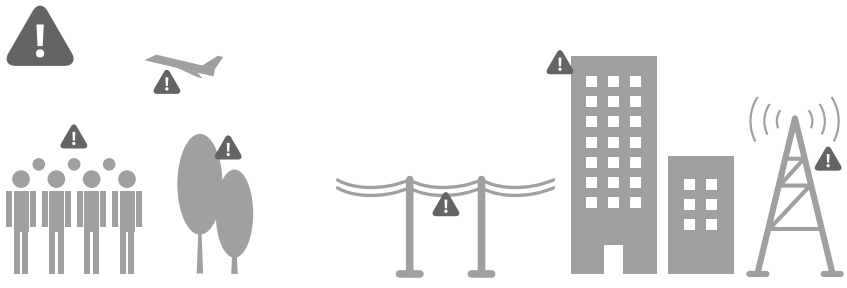
## 5. 유지 보수 및 관리

- 오래되거나 금이 가거나 파손된 프로펠러는 사용하지 마십시오.
- 기체와 배터리를 22~30°C 사이 온도의 시원하고 건조한 곳에 보관하고 직사광선에 노출되는 것을 피하십시오.
- 배터리의 안전 사용에 대한 자세한 내용은 인텔리전트 플라이트 배터리 안전 가이드를 참조하십시오.

## 6. 현지 법규 및 규정 준수

- GEO 구역에서 비행하지 마십시오. 이 지역에 대한 관련 정보는 <http://flysafe.dji.com>에서 확인할 수 있습니다. GEO 구역의 전체 목록 및 규정을 지역 항공 당국에서 확인하십시오.
- 비행 고도 제한은 관할권에 따라 다릅니다. 현지 법규 및 규정에 명시된 최대 고도를 넘어 비행하지 마십시오.
- 구조대가 영공을 사용 중인 지역에서는 비행하지 마십시오.

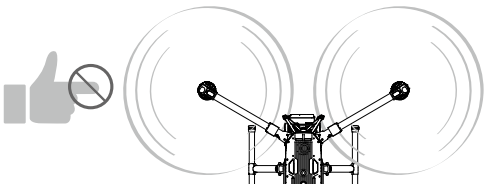
KR



사람이 많은 곳, 나무 또는 공항 위나 근처로 비행하지 마십시오. 전선, 기지국 및 높은 빌딩에서 발생하는 강력한 전자기장 발생원은 내장 컴퍼스에 영향을 줄 수 있습니다. 비행 중에는 항상 주변에 주의를 기울이십시오.



비, 눈, 안개 및 15m/s 또는 33.5mi/h 이상의 강풍과 같은 악천후에서는 기체를 사용하지 마십시오.



회전하는 프로펠러와 모터에 접근하지 마십시오.



자세히 알아보기:  
<https://flysafe.dji.com>



## 알림

이 문서 내의 지침 내용과 기타 모든 부속적인 문서는 SZ DJI TECHNOLOGY CO., LTD("DJI")의 단독 재량에 따라 변경될 수 있습니다. 최신 제품 정보는 <http://www.dji.com>의 제품 페이지를 확인하십시오.

## 용어집

다음 용어는 본 제품을 작동할 때 발생할 수 있는 다양한 잠재적 위험을 나타내기 위해 본 문서 전체에서 사용됩니다.

**[표준]** 절차를 제대로 따르지 않는 경우, 물리적 재산 피해 가능성 및 부상 가능성이 조금 있거나 전혀 없을 수도 있습니다.

**[주의]** 절차를 제대로 따르지 않는 경우, 물리적 재산 피해 및 심각한 부상의 가능성이 있습니다.

**[경고]** 절차를 제대로 따르지 않을 경우, 재산 피해, 부수적 피해, 심각한 부상을 입을 가능성이 있거나 심각한 부상을 초래할 가능성이 높습니다.

13. 기체에 페이로드를 싣고 비행할 경우 항상 기체의 호버링 성능을 검사하십시오. 총 이륙 중량이 정상 사양을 초과하지 않도록 하십시오. 기체의 강력한 기계적 진동, 전자기 간섭 또는 비전 시스템 또는 적외선 센서에 대한 방해가 없는 상태에서 기체를 비활성하십시오.
14. 비전 시스템, 적외선 센서, FPV 카메라 및 보조용 렌즈가 깨끗하고 얼룩이나 지문이 없어야 하며 어떤 부품(예: 부착된 하중)의 방해도 없어야 합니다.
15. 프레임 암이 완전히 펼쳐져 있고, 프레임 암과 랜딩 기어가 단단히 잠겼는지 확인하십시오.
16. 기체 및 조종기의 포트를 사용하지 않을 때는 고도 플러그를 단단히 삽입하십시오.
17. 기체의 모든 냉각 팬에 이물질이 없는지 확인하고 공기 흡입구와 공기 통풍구가 막혀 있지 않는지 확인합니다. 또한 팬이 비정상적인 소음 없이 작동하는지 확인하십시오.

## 고지 사항 및 경고

장난감이 아니며 18세 미만의 미성년자가 사용하기에 적합하지 않습니다. 어린이의 손이 닿지 않는 장소에 기체를 보관하고 어린이가 있는 곳에서 기체를 작동할 때에는 주의를 기울여야 합니다.

제품은 첨단 기술을 적용하고 있지만, 제품을 부적절하게 사용하면 손해를 입거나 물리적 피해가 발생할 수 있습니다. 이 제품을 처음 사용하기 전에 제품과 관련된 자료를 읽어 보시기 바랍니다. 이러한 문서는 제품 패키지에 포함되어 있으며 온라인 DJI 제품 페이지(<http://www.dji.com>)에서도 확인할 수 있습니다.

본 문서의 정보는 사용자의 안전은 물론 법적 권리와 책임에 영향을 미칩니다. 제품을 사용하기 전에 전체 문서를 주의 깊게 읽고 구성이 올바르게 확인하십시오. 본 문서의 지침 및 경고 사항을 읽고 따르지 않을 경우 기체 손실 또는 사용자가 심각하게 다치거나 기체에 심각한 손상이 발생할 수 있습니다.

제품을 사용하는 것은 고지 사항을 주의 깊게 읽었으며 명시된 약관을 이해하고 준수하기로 동의한 것으로 간주됩니다. DJI A/S 서비스 정책([HTTP://WWW.DJI.COM/SERVICE](http://www.dji.com/service))에서 명시적으로 제공되는 것 외에 제품 및 모든 자료와 제품을 통해 제공되는 콘텐츠는 모든 종류의 명시적이거나 암시적인 보증 또는 조건 없이 '있는 그대로', '사용 가능한 그대로' 제공됩니다. DJI는 다음을 포함하여 제품, 제품 액세서리 및 모든 자료와 관련하여 명시적 또는 암시적 의무에 관계없이 DJI A/S 서비스 정책에서 명시적으로 제공되는 것을 제외하고 모든 종류의 보증을 부인합니다. (A) 상업성, 특정 목적에 대한 적합성, 권리, 향후 이용 또는 비침해에 대한 모든 암시적 보증 및 (B) 취급, 사용 또는 거래 과정에서 발생하는 모든 보증. DJI는 DJI 제한적 보증에 명시적으로 규정된 경우를 제외하고, 제품, 제품 액세서리 또는 제품의 일부 또는 모든 자료가 중단되지 않으며 안전하거나 오류, 바이러스 또는 기타 유해 구성요소가 없으며, 이러한 문제 중 어떤 문제에 대해 보상할 것이라고 보증하지 않습니다.

구두로든 서면이든 제품, 제품 액세서리 또는 모든 자료로부터 얻은 통지나 정보는 DJI 또는 이 약관에서 명시적으로 언급하지 않은 제품에 관한 보증이 아닙니다. 제품, 제품 액세서리 및 모든 자료를 사용하거나 이에 접근하여 발생할 수 있는 모든 손해 위험은 사용자가 부담합니다. 귀하는 본 제품을 자신의 의지에 따라 위험을 감수하여 사용하고, 제품, 제품 액세서리 또는 사용 또는 인쇄 발생하는 모든 부상, 사망, 귀하의 재산 피해(제품과 연결하여 사용되는 컴퓨터 시스템이나 모바일 기기 또는 DJI 하드웨어 포함) 또는 제3자의 재산 피해 또는 데이터 손실에 대해 책임이 있음을 이해하고 이에 동의합니다.

일부 관할 구역에서는 보증의 부인을 금지할 수 있으며 귀하는 관할 구역에 따라 다른 권리를 가질 수 있습니다.

DJI는 본 제품의 사용으로 인해 직접 또는 간접적으로 발생하는 피해, 부상 또는 모든 법적 책임에 대해 어떠한 책임도 지지 않습니다. 사용자는 이 안전 가이드에 명시된 내용을 포함하여(이, 단에 국한되지 않음) 안전하고 적합한 사용 방법을 준수해야 합니다.

## 데이터 저장 및 사용

당사의 모바일 앱, 제품 또는 기타 소프트웨어 사용 시, 작동 기록과 비행 원거리 측정 데이터(예: 속도, 고도, 배터리 사용 시간, 장애 및 카메라 관련 정보) 등 제품 사용 및 작동과 관련된 데이터가 DJI에 제공될 수 있습니다. 제품에 통합된 내부 저장 장치는 비행 원거리 측정 데이터를 포함하여 다양한 유형의 데이터를 저장합니다. 또한, 귀하가 내부 저장 장치의 정보를 읽거나 수정으로 전송할 때, 비행 원거리 측정 데이터와 기타 데이터가 당사에 제공될 수도 있습니다.

자세한 내용은 DJI 개인정보 처리방침(<http://www.dji.com/policy>)을 참

### 경고

제품을 작동하기 전에 전체 사용자 매뉴얼을 읽고 제품 기능을 숙지하십시오. 사용자 매뉴얼의 지시에 따라 제품을 작동시키지 않으면 제품과 개인적 재산에 피해가 발생하거나 심각한 부상을 입을 수 있습니다.

본 제품은 경고하게 제작되었습니다. 일반 상식에서 주의를 기울여 작동해야 하며 기계를 다루는 기본적인 지식도 어느 정도 필요합니다. 책임감을 가지고 안전한 방식으로 작동하지 않으면 부상을 입거나 제품 또는 기타 재산 피해가 발생할 수 있습니다. 이 제품은 어린이가 사용하기 위한 제품이 아닙니다. 호환되지 않는 구성품과 함께 사용하거나 SZ DJI TECHNOLOGY CO., LTD에서 제공하는 관련 문서에서 허용하지 않는 방식으로 본 제품을 변경하지 마십시오. 이 안전 가이드에는 안전, 작동 및 유지보수와 관련된 지침이 포함되어 있습니다. 제품을 안전하게 작동하고 재산 피해 또는 심각한 부상을 방지하려면 제품을 조립, 설정 또는 사용하기 전에 사용자 매뉴얼에 있는 모든 지침 및 경고를 읽고 따르는 것이 중요합니다.

추천 연령: 18세 미만의 청소년과 어린이는 사용할 수 없습니다. 이것은 장난감이 아닙니다.

## 비행 전 체크리스트

1. 비행 부품만 사용하고 있으며 모든 부품이 신품 같은 상태인지 확인합니다.
2. 조종기, 인텔리전트 플라이트 모드 배터리 및 모바일 기기가 완전히 충전되었는지 확인합니다.
3. 전원을 켜기 전에 카메라 렌즈에 이물질이 묻지 않았는지, microSD 카드와 짐벌 카메라가 삽입되었는지, 그리고 짐벌을 자유롭게 회전시킬 수 있는지 확인합니다.
4. 프로펠러와 장착 나사가 모터 위에 단단히 장착되었는지, 모터가 정상적으로 커지고 작동하는지 확인합니다.
5. 화면의 지침에 따라 콤파스를 보정합니다.
6. DJI Pilot 앱 및 기체 펌웨어가 최신 버전으로 업데이트되었는지 확인합니다.
7. 비행 구역이 GEO 구역 밖에 있고 비행 조건이 기체 비행에 적합한지 확인합니다.
8. 인자 능력을 저해하는 음주, 약물 또는 유해 물질질을 복용한 상태에서 비행하지 않아야 합니다.
9. 선택한 비행 모드를 숙지하고 모든 안전 기능 및 경고를 이해해야 합니다.
10. 모든 현지 규정을 준수하고, 적절한 승인을 받고, 위험을 이해해야 합니다. 기억하십시오: 모든 해당 규정을 준수하는 것은 전적으로 귀하의 책임입니다.
11. 항상 기체를 시야(눈으로)에서 놓치지 말고 주시하십시오. 기체를 제어할 때 1인칭 시점(FPV) 카메라에만 의존하지 마십시오.
12. DJI Pilot 앱이 올바르게 실행되어 기체 작동을 지원하는지 확인해야 합니다. DJI Pilot 앱으로 기록되어 조종기가 저장된 비행 데이터가 없는 경우, 기체 분석 등을 포함한 특정 상황에서 DJI는 A/S 지원을 제공하거나 책임을 지지 못할 수 있습니다.

조하십시오.

## 시작하기 전에

본 제품은 아래 설명된 올바른 작동 상태에 있을 때 쉽게 비행할 수 있는 기체입니다. http://www.dji.com을 방문하여 최신 지침 및 경고를 확인하고 http://knowbeforeyoufly.org에서 비행 안전 및 규정 준수 관련 정보를 참조하십시오.

다음 문서는 기체를 안전하게 작동하고 안전하게 사용할 수 있도록 돕기 위해 제작되었습니다.

구성품  
고지 사항 및 안전 가이드  
인텔리전트 플라이트 배터리 안전 가이드  
콕 스타트 가이드  
사용자 매뉴얼

비행 전에 구성품 설명서에 나열된 포함 부품을 모두 확인하고 고지 사항 및 안전 가이드를 읽어보십시오. 그런 다음 콕 스타트 가이드를 사용하고 DJI의 공식 웹사이트(http://www.dji.com)에서 모든 튜토리얼 비디오를 시청하여 첫 비행을 준비합니다. 질문이 있는 경우, 앱의 사용자 매뉴얼을 참조하거나 DJI 공식 웹사이트에서 더 상세한 정보를 찾아보십시오. 비행 전에 각 개별 부품의 기능, 비행 조건 요구사항, 주요 우발 사태에 대비한 경고 기능/시스템 및 모든 정부 규정을 완벽하게 숙지해야 합니다. 본 제품의 조립, 유지보수 또는 사용과 관련된 질문이나 문제가 있는 경우 DJI 또는 DJI 공인 딜러에 문의하십시오.

## 개별 부품

### 순정 및 기능 부품 관련

#### ⚠경고

구성 요소 오작동, 심각한 부상, 재산 피해를 방지하기 위해 다음 규칙을 준수하십시오.

- DJI 순정 부품 또는 DJI에서 인증된 부품만 사용해야 합니다. 인증되지 않은 부품 또는 DJI 비공인 제조업체의 부품을 사용하면 시스템 오작동 및 안전성 저하의 원인이 될 수 있습니다.
- 기체 내부 또는 구성품에 이물질(예: 물, 기름, 흙, 또는 모래 등)이 없는 지 확인합니다.
- 기체를 비롯해 조종기, 카메라, 짐벌, 콤팩스, 추진력 시스템 및 배터리를 포함하되 이에 국한되지 않는 구성품이 모두 잘 작동하고 손상이 없으며 잘 기능하는지 확인합니다. 이러한 구성품의 기능을 확인하는 방법에 대한 자세한 내용은 이 문서의 나머지 섹션을 참조하십시오.
- 기체, 구성품 및 부품을 수정하거나 변경하지 마십시오. 무단 개조는 오작동을 일으키고 기체의 기능과 안전에 영향을 줄 수 있습니다.
- 기체의 모든 냉각 팬에 이물질이 없는지 확인하고 공기 흡입구와 공기 통풍구가 막혀 있지 않는지 확인합니다.
- M300 RTK와 함께 사용할 짐벌, CMS 레이더를 포함하되 이에 제한하지 않는 모든 액세서리는 기체와 함께 사용해야 합니다. 다른 비공식 제품과 함께 사용된 액세서리로 인해 발생한 손해에 대한 책임은 전적으로 사용자에게 있습니다.
- DJI 정품이 아닌 케이블을 사용해 기체 포트를 연결하면 시스템 오작동을 일으키고 안전성 저하의 원인이 될 수 있습니다.

### 영상 전송 시스템

#### ⚠알림

- 전문가의 지도 하에지만 "사용자 정의" 모드를 사용합니다. 그렇지 않으면 간섭으로 인해 영상 전송 신호가 지연되거나 손실될 수 있습니다.

### 조종기

#### ⚠알림

- 항상 비행 전에 스마트 조종기를 완전히 충전하십시오.
- 스마트 조종기가 켜지고 터치스크린이 5분 동안 꺼지면 알림 소리가 트리가 됩니다. 경보음이 울리고 10초 후에 스마트 조종기가 자동으로 꺼집니다. 경고음을 끄려면 스틱을 움직이거나 다른 동작을 수행하십시오.
- 최적의 전송 품질을 위해 조종기의 안테나가 펼쳐지고, 적합한 위치로 조

정되어 있는지 확인해야 합니다.

- 손상된 경우 DJI 고객지원에 문의하여 αντα나를 수리하거나 교체하십시오. 손상된 안테나를 사용하면 성능이 크게 저하됩니다.
- 기체를 변경할 경우 스마트 조종기와 기체를 다시 연결하십시오.
- 먼저 기체의 전원을 끈 다음 스마트 조종기를 끄십시오.
- 스마트 조종기를 3개월마다 완전히 충전하십시오.
- 장시간 방전으로 인한 스마트 조종기 손상을 방지하려면 스마트 조종기의 전력 수준이 10%로 감소될 때 즉시 충전합니다. 장기 보관 시 스마트 조종기를 전력 수준 40%~60% 사이로 방전합니다.
- 스마트 조종기의 통풍구를 덮지 마십시오. 그렇지 않으면 스마트 조종기가 너무 뜨거워져 성능에 영향을 줄 수 있습니다.
- DJI 공인 딜러의 도움 없이 스마트 조종기를 분해하지 마십시오. 스마트 조종기의 부품을 교체하려면 항상 DJI 또는 DJI 공인 딜러에게 문의하십시오.
- 내장된 GPS를 차단하지 마십시오. DJI Smart Controller Enterprise 화면 마운팅 브래킷(이하 "마운팅 브래킷")이 설치된 경우, 이를 제거하고 GPS 신호가 좋지 않은 경우 다시 시도하십시오.
- 스티커 커버의 마모를 방지하려면 스틱을 자주 분해하지 마십시오.

### 콤팩스

#### ⚠주의

일어날 수 있는 심각한 부상 및 재산 피해를 방지하기 위해 다음 규칙을 준수하십시오.

- 비행 중 명백한 표류가 발생하면 즉시 착륙합니다.
- 강한 전자기 간섭이 있는 환경이나 장애물이 많은 공간에서 비행하지 마십시오.
- 이륙 전에 DJI Pilot 앱에서 콤팩스 캘리브레이션을 표시하는 경우, 전자파 간섭이 있는 환경에서 캘리브레이션 후 이륙하십시오.

#### ⚠알림

DJI Pilot 앱 또는 상태 표시등에서 알림을 표시하는 경우에만 콤팩스 캘리브레이션을 수행하십시오. 콤팩스를 캘리브레이션할 때는 다음 규칙을 준수하십시오.

- 자철석, 주자 구조물, 철기 칩 등 자기장 간섭을 일으킬 수 있는 곳에서 콤팩스를 캘리브레이션 하지 마십시오.
- 캘리브레이션 중에는 휴대폰과 같은 자성이 강한 물체를 소지하지 마십시오.
- DJI Pilot 앱은 캘리브레이션 완료 후 콤팩스가 강한 간섭의 영향을 받는 경우 콤팩스 문제를 해결하도록 안내할 것입니다. 콤팩스 문제를 해결하려면 알림창 지침을 따르십시오.

### 추진력 시스템

#### ⚠경고

회전하는 프로펠러 및 모터로 인해 발생할 수 있는 자선이나 다른 사람의 심각한 부상을 방지하기 위해 다음 규칙을 준수하십시오.

#### 프로펠러

- 오래되고 굵기가 거거나 파손된 프로펠러는 사용하지 마십시오.
- 항상 프로펠러를 만지기 전에 기체의 전원을 끄십시오.
- 프로펠러를 장착 또는 분리할 때는 날카로운 모서리에 주의하십시오. 프로펠러를 만질 때는 장갑을 착용하거나 다른 보호 조치를 취하십시오.
- 필요할 때마다 도구(예: 렌치, 스크루드라이버, 플라이어 등)를 사용하여 프로펠러를 제거하거나 설치합니다.
- 프로펠러와 장착 나사를 단단히 장착하여 모터에서 떨어지지 않도록 하십시오.
- 프로펠러를 장착한 후 바로 가까이에서 사람 또는 동물이 있을 때에는 모터를 켜지 마십시오.
- 타사의 프로펠러를 사용하면 기체의 공기역학을 손상시킬 수 있습니다. 더욱 나은 안전한 비행 경험을 위해 기존 DJI 프로펠러만 사용하는 것이 좋습니다.
- 주변 온도가 0°C 가까운 환경에서는 각 비행 전에 프로펠러를 닦아 프로펠러가 얼지 않도록 하십시오.

#### 모터

- 모터가 단단히 장착되어 있고 부드럽게 회전하는지 확인하십시오.

2. 각 비행 전에 모터가 제대로 설치되고 정상적으로 기능하는지 확인합니다. 모터의 환기 구멍이 막혀있다면 비행 전에 깨끗이 풀어주십시오. 커버가 느슨, 손상 또는 변형된 경우 DJI 또는 DJI 공인 딜러에게 문의하십시오.
3. 모터 구조를 변경하려고 시도하지 마십시오.
4. 비행 후에는 모터가 뜨거울 수 있으므로 손으로 만지거나 신체가 닿지 않도록 하십시오.

**전자식 속도 제어기 (ESC)**

1. 각 비행 전에 필요한 경우 앱의 알림창을 따라 전자식 속도 제어기의 이상을 수정합니다.
2. DJI Pilot 앱이 전자식 속도 제어기(예: 과온, 저전압 또는 과부하)에 잘못된 점이 있음을 알리는 경우 기체를 착륙하십시오.

**주의**

얼어날 수 있는 심각한 부상 및 재산 피해를 방지하기 위해 다음 규칙을 준수하십시오.

1. 모터의 어떠한 통풍구도 막지 마십시오.
2. 기체 프레임 안의 통풍구를 막지 마십시오.

**알림**

**모터**

1. 모터 작동 수명이 영향을 받지 않도록 모래 또는 먼지가 많은 곳에서 이륙하거나 착륙하지 마십시오.
2. 모터의 먼지를 제거하고 모터 통풍구가 막히지 않도록 하십시오.
3. 모터가 깨어 자유롭게 회전하지 않는 경우 CSC(스틱 조합 명령)를 실행하여 모터를 즉시 멈추십시오.

**전자식 속도 제어기**

전원을 켜를 때 전자식 속도 제어기에서 정상적인 소리가 나는지 확인합니다.

**DJI Pilot 앱**

**알림**

1. 앱을 시작하기 전에 태블릿 또는 모바일 기기(사용 시)를 완전히 충전하십시오.
2. 휴대폰을 모바일 디스플레이 장치로 사용하는 경우 전화가 울리더라도 안전하게 비행을 계속해야 합니다. 비행 중 진화를 받지 마십시오.
3. DJI Pilot 앱을 사용하려면 이동통신 데이터가 필요합니다. 데이터 요금에 대해서는 이동통신사에 문의하십시오.
4. 표시되는 안전 팁, 경고 메시지 및 고지 사항을 모두 주의 깊게 읽으십시오. 해당 지역의 관련 규정을 숙지하십시오. 모든 관련 규정을 인지하고 준수하는 방식으로 비행해야 하는 책임은 전적으로 사용자에게 있습니다.
  - a. 호프포인트를 재설정하기 전에 경고 메시지를 읽고 이해하십시오.
  - b. 기온 제한을 초과하여 고도를 설정하려면 먼저 경고 메시지와 고지 사항을 읽고 이해하십시오.
  - c. 비행 모드 간을 전환하기 전에 경고 메시지와 고지 사항을 읽고 이해하십시오.
5. 앱에 경고가 표시되면 즉시 기체를 안전한 장소에 착륙하십시오.
6. 각 비행 전에 앱에 표시되는 체크리스트의 모든 경고 메시지를 확인하십시오.
7. 비행 경험이 아예 없거나 편안하게 기체를 작동할 수 있는 경험이 충분하지 않은 경우, DJI ASSISTANT™ 2를 사용하여 비행 기술을 습득하십시오.
8. 비행 전에는 항상 인터넷에 연결하여 기체를 비행하려는 영역의 지도 데이터를 캐시에 저장하십시오.
9. 앱은 사용자의 작동을 지원하기 위해 설계되었습니다. 앱에 의존하여 기체를 제어하지 말고 사용자의 온전한 판단으로 제어하십시오.
10. 앱 사용에는 DJI Pilot 앱의 이용 약관과 DJI 개인정보처리방침이 적용됩니다. 앱에서 이용 약관과 개인정보처리방침을 주의 깊게 읽으십시오.

**펌웨어**

**△경고**

어린이와 동물의 심각한 부상을 방지하기 위해 다음 규칙을 준수하십시오.

1. 모든 펌웨어 업데이트, 시스템 캘리브레이션 및 설정값 설정 절차를 수행하는 동안 사람들과 동물로부터 안전한 거리를 유지하십시오.

**알림**

1. 안전을 위해 DJI Pilot 앱에 업데이트 알림이 표시되면 항상 펌웨어를 최신 버전으로 업데이트하십시오.
2. 펌웨어 업데이트 알림이 새로운 펌웨어 업데이트에 대해 알려줍니다. 표시된 정보를 읽고 이해해야 합니다.
3. 기체의 펌웨어를 업데이트한 후 조종기의 펌웨어를 최신 버전으로 업데이트해야 합니다.
4. 업데이트 후에 조종기와 기체의 연결이 끊어질 수 있습니다.
5. 펌웨어 업데이트를 수행하기 전에 모든 연결을 확인하고 모터에서 프로펠러를 분리해야 합니다.

**SDK**

**알림**

1. DJI SDK를 사용하기 전에 DJI SDK 이용 약관 및 DJI 개인정보처리방침에 동의해야 합니다. 본 이용 약관 및 개인정보처리방침은 DJI의 법적 책임을 제한합니다. <https://developer.dji.com/policies/>에서 주의 깊게 읽어보시기 바랍니다.

**카메라(선택 사항)**

**△경고**

발생할 수 있는 심각한 부상 및 재산 피해를 방지하기 위해 다음 규칙을 준수하십시오.

1. 발생된 열로 인해 부상을 입거나 기기가 손상될 수 있으므로 카메라의 통풍구를 막지 마십시오.

**알림**

1. 사용하기 전에 카메라 설정을 확인하여 필요에 맞게 조정하십시오.
2. 중요한 사진 또는 비디오를 촬영하기 전에 몇 가지 테스트 이미지를 촬영하여 카메라를 테스트하고 올바르게 작동하는지 확인합니다.
3. 카메라의 전원이 켜진 상태에서 짐벌 카메라에서 microSD 카드를 꺼내지 마십시오. 공식적으로 권장되는 microSD 카드를 사용하십시오.
4. 인텔리전트 플라이트 배터리 전원을 제대로 끄지 않으면 카메라 설정값이 저장되지 않고 녹화된 동영상도 손상될 수 있습니다.
5. 어떤 이유에서든 DJI는 모든 이미지 또는 동영상 촬영되지 않거나 기계에서 읽을 수 없는 형식으로 녹화되는 문제에 대해 책임을 지지 않습니다.

**짐벌(선택 사항)**

**알림**

1. 짐벌의 정밀 구성품들은 충돌 또는 충격에 의해 손상될 수 있으며 이로 인해 짐벌이 비정상적으로 작동할 수 있습니다.
2. 짐벌이 켜진 후에는 짐벌에 외부적인 힘을 가하지 마십시오.
3. 짐벌에 페이로드를 더하지 마십시오. 짐벌이 비정상적으로 작동하거나 모터가 손상될 수 있습니다.
4. 짐벌 및 짐벌 커넥터는 정교한 구성 요소입니다. 모든 손은 비정상적 작동을 초래하므로 조심스럽게 취급하고 짐벌 커넥터를 만지지 마십시오.
5. 짐벌을 분리하거나 다시 부착할 때 짐벌을 단단히 잡아 떨어뜨리지 않도록 하십시오.
6. 기체가 켜진 상태로 짐벌을 부착하거나 분리하지 마십시오.
7. 여러 짐벌 시스템을 사용할 때는 사용자 매뉴얼의 지침을 엄격히 따라야 하며, 호환되는 짐벌 카메라를 올바르게 장착해야 합니다.

**제품 관리**

**보관 및 운반**

**△경고**

어린이와 동물의 심각한 부상을 방지하기 위해 다음 규칙을 준수하십시오.

1. 케이스 및 스트랩과 같은 소형 부품을 삼키면 위험합니다. 모든 부품은 동물이 접근할 수 없고 어린이의 손이 닿지 않는 곳에 보관하십시오.

**알림**

1. 배터리 상태를 유지하기 위해 배터리를 정기적으로 충전하고 방전하십시오. 배터리의 안전한 사용에 대한 자세한 내용은 인텔리전트 플라이드 배터리 안전 가이드를 참조하십시오.
2. 카메라가 물 또는 기타 액체에 빠지거나 닿지 않게 합니다. 젖었을 경우 부드러운 흡수성 천으로 물기를 닦아내십시오. 물에 빠진 기체를 켜두 구성품이 영구적으로 손상될 수 있습니다. 알코올, 벤젠, 시너 또는 기타 가연성 물질이 포함된 소재로 카메라를 닦거나 정비하지 마십시오. 카메라를 습하거나 먼지가 많은 구역에 보관하지 마십시오.
3. 장시간 보관하거나 장거리 운반 시 짐벌을 기체에서 분리하십시오.
4. 이 제품을 버전 2.0보다 오래된 USB 인터페이스에 연결하지 마십시오. 이 제품을 "전원 USB" 또는 유사한 장치에 연결하지 마십시오.
5. 프레임 암과 프로펠러는 운송 중 원래 상태로 접어두어야 하며 그렇지 않으면 안테나가 손상될 수 있습니다. IMU와 기타 부품이 손상되지 않도록 기체를 바닥에 부드럽게 놓습니다.

**유지보수 및 관리**

**알림**

1. 충돌 또는 강한 충격을 받은 후에는 제품 검사 또는 수리를 위해 DJI 권장 서비스 센터에 문의하십시오. 손상된 기체 작동은 매우 위험하며 신체적 상해 또는 재산의 손상을 초래할 수 있습니다.
2. 배터리 상태를 유지하기 위해 배터리를 정기적으로 충전하고 방전하십시오. 배터리의 안전한 사용에 대한 자세한 내용은 인텔리전트 플라이드 배터리 안전 가이드를 참조하십시오.
3. 비행 안전 및 안정성을 위해 정기적인 유지관리 서비스를 계획하는 것이 좋습니다. 자세한 내용은 인텔리전트 플라이드 배터리 안전 가이드를 참조하십시오.
4. 배터리 잔량 표시기를 정기적으로 검사하여 현재 배터리 잔량과 전체적인 배터리 사용 시간을 확인하십시오. 배터리의 충전 사이클은 200회입니다. 200회 충전 사이클을 이추는 계속 사용하지 않는 것이 좋습니다. 배터리의 안전한 사용 및 유지관리에 대한 자세한 내용은 인텔리전트 플라이드 배터리 안전 가이드를 참조하십시오.
5. 제품 상태 확인과 오랜 사용 후에도 최적의 컨디션으로 유지하는 방법 및 잠재적인 안전 위험을 줄이려면 유지 보수 매뉴얼을 참조하시기 바랍니다. 유지 보수 빈도는 약 300시간 안전 사용이 가능하여 후진 시스템은 약 900시간 안전 사용이 가능합니다. 안전 수명 시간이 지난 후에는 제품 사용에 잠재적인 안전 위험이 있을 수 있습니다. DJI는 지속적인 제품 사용으로 발생하는 어떤 위험 요소에 대한 책임이 없습니다.
6. M300 RTK 부품에는 안전 수명이 있습니다. 첫 사용 시간부터, 프로펠러 및 짐벌 데우는 약 300시간 안전 사용이 가능하여 후진 시스템은 약 900시간 안전 사용이 가능합니다. 안전 수명 시간이 지난 후에는 제품 사용에 잠재적인 안전 위험이 있을 수 있습니다. DJI는 지속적인 제품 사용으로 발생하는 어떤 위험 요소에 대한 책임이 없습니다.

**비행 조건 요구사항**

**기상 조건 및 주변 환경**

**△경고**

- 기체는 양호하거나 온화한 기상 상태에서 작동하도록 설계되었습니다. 충돌, 심각한 부상 및 재산 피해를 방지하기 위해 다음 규칙을 준수하십시오.
1. 악천후에는 기체를 사용하지 마십시오. 악천후는 15m/s를 초과하는 바람, 눈, 폭우, 소금기, 우박, 번개, 토네이도 또는 허리케인 등이 해당합니다.
  2. 비행 중에는 기체가 장애물, 사람, 동물, 건물, 공공 기반 시설, 나무 및 수계로부터 최소한 10m 떨어져도록 유지하십시오. 고도가 높아지면 위 에 열거한 물체로부터 더 멀리 떨어져야 합니다.
  3. 실내에서 비행을 할 때는 더욱 주의가 기울어집니다. 일부 기체의 기능, 특히 안정화 기능에 영향을 줄 수 있습니다.
  4. 실내에서 비행할 때는 비전 시스템을 활성화하십시오. 비전 시스템은 물리, 명확한 패턴이 없는 표면 위, 또는 어두운 환경에서 비행할 때는 제대로 작동하지 않을 수 있습니다.

**알림**

1. 기체와 배터리의 성능은 공기 밀도나 기온과 같은 환경적 요소의 영향을 받습니다.
  - a. 온도가 -20~50°C 범위 밖일 때는 기체를 작동하지 마십시오.

2. 사고, 화재, 폭발, 흡수, 쓰나미, 논사태, 산사태, 지진, 먼지 또는 모래 폭풍이 있는 지역에서 기체를 사용하지 마십시오.

**통신에 대한 간섭**

**알림**

1. 기체의 일부가 부딪히거나 충돌했는지 확인합니다. 필요한 경우 DJI 고객센터 또는 공인 딜러에게 문의하십시오.
2. 시야 확보된 넓은 지역에서 비행하십시오. 고층 건물과 철골 구조물은 내장 콤팩스의 정확성에 영향을 주고 GPS 신호를 차단할 수 있습니다.
3. 조종기와 기타 무선 장비 간의 간섭을 피합니다. 모바일 기기의 Wi-Fi를 끄는 것이 확인하십시오.
4. 자기 또는 무선 간섭이 있는 지역 근처에서 비행할 때는 극도로 주의하십시오. 이런 지역에는 고압 전선, 대규모 송전 시설, 모바일 기지국 및 방송 송신탑이 포함되지만 이에 국한되지는 않습니다. 주의하지 않으면 제품의 전송 품질이 저하되거나 조종기 및 영상 전송 오류가 발생하여 비행 방향 및 위치 정확성에 영향을 미칠 수 있습니다. 간섭이 너무 심한 곳에서는 기체가 비정상적으로 작동하거나 통제력을 잃을 수 있습니다.

**책임감을 갖고 기체 작동하기**

**△경고**

- 심각한 부상 및 재산 피해를 방지하기 위해 다음 규칙을 준수하십시오.
1. 음주, 약물 복용, 마취 상태이거나 어리석음, 피로, 메스꺼움 증상이 나타나거나 기체를 안전하게 작동시키는 능력에 떨어질 수 있는 기타 신체적 또는 정신적 상태가 아닌지 확인합니다.
  2. 착륙 시 먼저 기체의 전원을 끈 다음 조종기의 전원을 끄십시오.
  3. 기체 추락, 이륙, 기타 위험한 페이로드를 건물, 사람, 동물에 발사 또는 투사하거나, 심각한 부상이나 재산 피해가 일어날 수 있는 행동을 하지 마십시오.
  4. 절대 추락했거나 실수로 부딪혔던 기체 또는 상태가 좋지 않은 기체를 사용하지 마십시오.

**알림**

1. 사고가 발생하기 전에 충분한 교육을 받고 비상 계획을 완전히 알고 있는 지 확인하십시오.
2. 비행 계획을 세우고 기체를 무모하게 비행하지 마십시오.
3. 카메라를 사용할 때 타인의 프라이버시를 존중합니다. 현지 개인정보 보호법, 규정 및 데이터 기준을 준수해야 합니다.
4. 일반적인 목적의 용도 이외의 이유로 본 제품을 사용하지 마십시오. 불법적 또는 부적절한 목적(예: 첩보 활동, 군사 작전 또는 무단 조사)으로 사용하지 마십시오.
5. 음해, 학대, 회음, 스토킹, 위협 또는 타인의 법적 권리(예: 사생활 보호권 및 초상권)를 침해하는 기타 용도로 본 제품을 사용하지 마십시오.
6. 타인의 사유 재산을 무단 침범하지 마십시오.

**비행 모드, 작동 및 경고**

**비행 모드**

**△경고**

각 비행 모드에서 기체의 행동을 충분히 숙지하지 않는 한 P 모드에서 S 모드 또는 T 모드로 전환하지 마십시오. P 모드에서 다른 모드로 전환하려면 앱에서 "다중 비행 모드" 설정을 켜야 합니다.

다음 조건이 둘 다 충족되면 기체가 자동으로 자체 모드로 들어갑니다. (1) 비전 시스템은 자체 모드 수 고(2) 약한 GPS 신호가 있거나 콤팩스에 간섭이 발생한다면.

자체 모드에서는 비전 시스템과 일부 고급 기능이 비활성화됩니다. 그러므로 기체는 이 모드에서 위치를 지정하거나 자동 정지를 할 수 없으며 주변 환경에 쉽게 영향을 받아 수평 이동이 발생할 수도 있습니다. 기체의 위치를 지정하려면 조종기를 사용하십시오.

자체 모드에서는 기체 조종이 어려울 수 있습니다. 기체를 자체 모드로 전환하기 전에 이 모드에서 편안하게 비행해야 합니다. 통제력을 잃고 잠재적 위험을 야기할 수 있으므로 기체를 너무 멀리 비행하지 마십시오.

GPS 신호가 약한 지역 또는 협소하고 막힌 공간에서 비행하지 마십시오. 이럴 때 기체는 자체 모드로 진입하여 잠재적인 비행 위험을 야기할 수 있으므로 가능한 한 멀리 안전한 장소에 착륙시키십시오.

## 알림

대부분의 비행 시나리오에서 P 모드가 선호됩니다. 다른 모드에서 비행할 때는 일부 기능을 사용할 수 없으므로 더욱 주의를 기울여십시오. 자체 모드에서는 일부 기능을 사용할 수 없기 때문에 자체 모드에서 비행할 때는 더욱 주의를 기울여하십시오. 실내에서 비행 시, 기체는 확실한 패턴이 없는 표면 위로 비행할 경우, 정밀 호버링을 수행할 수 없습니다. 전체 실내 비행 기준은 '비전 시스템 및 적외선 감지 시스템' 섹션을 참조하십시오.

1. P 모드(포지셔닝): P 모드는 GPS 신호가 강할 때 가장 잘 작동합니다. 기체는 GPS 및 비전 시스템을 사용하여 자동으로 기체를 안정화합니다.
2. S 모드(스포츠): S 모드는 기체의 조작성을 높이기 위해 기체의 게인 값이 조정된다는 점을 제외하고 비행 컨트롤러 설정은 P 모드와 동일합니다. 이 모드에서는 기체의 최대 비행 속도가 증가합니다.
3. T 모드(삼각대): T 모드는 P 모드를 기반으로 하지만 비행 속도가 제한되어 기체 이동이 더욱 쉽게 제어됩니다.

## 리턴 투 홈

### 알림

1. 리턴 투 홈 기능은 날씨, 환경 또는 인근 자기장의 영향을 받을 수 있습니다.
2. 항상 조종기의 전송 범위 내에서 기체를 비행하십시오.
3. 조종기를 끄는 대신 조종기의 RTH(리턴 투 홈) 버튼을 눌러 리턴 투 홈 프로세스를 시작합니다. 그러면 기체는 가장 최근에 입력한 홈포인트로 비행합니다.
4. 비행 중 기체가 극도로 어두운(<15럭스) 또는 밝은(>10,000럭스) 표면 위를 비행하는 경우, 장애물을 피할 수 없습니다. 기체를 제어하는 경우에는 비전 시스템에 의존하지 말고 항상 주의해야 합니다. 필요한 경우 직접 기체를 제어하거나 RTH 버튼을 눌러 기체가 홈포인트로 복귀하는 것을 중지하십시오.
5. 높은 건물은 페일세이프 기능에 부정적인 영향을 미칠 수 있습니다. 그러므로 비행 전에 매년 적합한 페일세이프 고도를 설정하는 것이 중요합니다. 집으로 돌아가는 동안 기체 고도를 조정하십시오.
6. GPS 신호가 약하거나(GPS 신호 대역가 3개 미만) GPS가 활성화되지 않은 경우 리턴 투 홈 기능은 작동하지 않습니다.
7. 조종기의 신호가 사라지고 GPS 신호가 약한 경우, 기체가 홈포인트를 감지할 수 없을 때, 기체가 'P' 모드에 있다면 8초 동안 호버링한 다음, 자동 착륙합니다.
8. 배터리 수명이 허용하는 경우, 기체는 우선 페일세이프 RTH 중에 조종기와 연결되었던 마지막 지점으로 돌아가갈 수 있습니다. 따라서, 기체가 처음에는 조종기에서 멀어졌다가 홈포인트로 돌아가는 것을 볼 수 있습니다.

## 배터리 부족

### 알림

1. 심각한 배터리 잔량 경고가 활성화되고 기체가 자동으로 하강하는 경우 스포트를 밀어 올려 기체의 고도를 유지한 다음 착륙하기에 더 적합한 장소를 찾을 수 있습니다.
2. 배터리 경고가 트리거되면 신속하게 기체를 홈포인트로 돌아오게 하거나 착륙시켜서 비행 중의 전력 손실을 방지하고 기체, 재산, 등을 모든 사람에 대해 피해가 가지 않도록 하십시오.

## D-RTK 2

### 알림

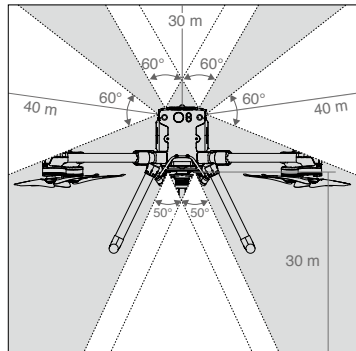
1. DJI 순정 부품 또는 DJI에서 인증한 부품만 사용해야 합니다. 인증되지 않은 부품 또는 DJI 비공인 제조업체의 부품을 사용하면 시스템 오작동 및 안전성 저하의 원인이 될 수 있습니다.
2. 무선 간섭이 없는 개방된 공간에서 사용할 것을 권장합니다.
3. D-RTK 2 안테나를 방해하지 마십시오.

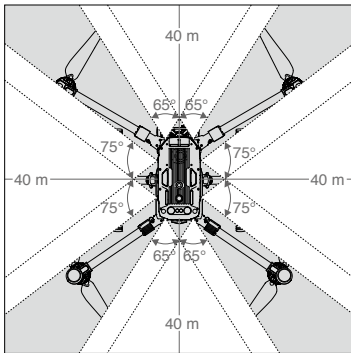
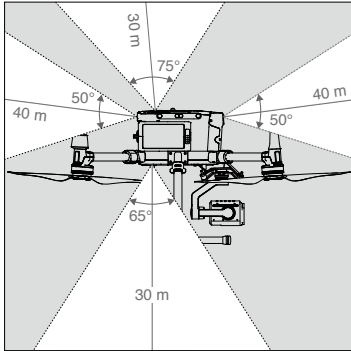
## 비전 시스템 및 적외선 감지 시스템

### 알림

1. 비전 시스템은 선명한 패턴 변형이 있는 표면에서는 최대 30m 높이까지 제대로 작동합니다. 기체가 0.5m 미만의 고도에서 빠르게 비행할 때는 비전 시스템이 작동할 수 없습니다.

2. 비전 시스템은 기체가 물 위로 비행하는 경우 제대로 작동하지 않을 수 있습니다. 비전 시스템에 너무 많이 의존하지 말고 기체를 조심스럽게 작동하십시오.
3. 비전 시스템은 다음 상황에서 제대로 작동할 수 없습니다.
  - a. 단색 표면(예: 순수한 검은색, 흰색, 빨간색, 녹색) 또는 분명한 질감이 없는 표면 위로 비행하는 경우.
  - b. 반사가 잘 되는 표면 위로 비행하는 경우.
  - c. 물 또는 투명한 표면 위로 비행하는 경우.
  - d. 움직이는 표면 또는 불체 위로 날아다니는 경우(예: 움직이는 사람, 흔들리는 갈대, 관목 및 잔디).
  - e. 조명이 자주 또는 크게 변하는 지역이나 직접 강한 조명이 노출되는 지역 비행.
  - f. 극도로 어둡거나(<15럭스) 밝은(>10,000럭스) 표면 위로 비행하는 경우.
  - g. 고속으로 비행하는 경우(2m 고도에서 14m/s 이상 또는 1m 고도에서 5m/s 이상).
  - h. 작은 장애물.
  - i. 렌즈가 더럽습니다.(예: 빗방울, 지문 등).
  - j. 현장 가시성이 낮습니다(예: 심한 안개).
4. 적외선 센서 시스템은 다음 상황에서 정확한 거리를 제공하지 못할 수 있습니다.
  - a. 울림을 흡수할 수 있는 표면 위로 비행하는 경우(예: 순수한 블록의 무광 물체).
  - b. 15m를 넘는 강력한 반사가 있는 구역이 있는 경우(예를 들어, 나란히 서 있는 여러 개의 교통 표지판).
  - c. 작은 장애물
  - d. 거울 또는 투명한 물체(예: 거울, 물 및 유리).
5. 기체가 충돌했다면, 비전 시스템 캘리브레이션이 필요합니다. DJI Pilot 앱에 알림이 표시되면 비전 시스템을 캘리브레이션 하십시오.
6. 비가 내리거나 안개가 끼는 등 가시성이 낮은(100m 미만의 가시성) 장소 주변에서는 비행을 하지 마십시오.
7. 비전 시스템 및 적외선 감지 시스템의 센서를 항상 깨끗하게 유지하십시오.
  - a. 표면 필름, 스티커 및 기타 장애물을 제거합니다.
  - b. 물방울, 지문, 먼지 등이 있는 경우, 먼지 깨끗하게 닦으십시오(알코올과 같은 유기 용제가 아닌 깨끗한 천을 사용하십시오).
  - c. 표면 유리가 떨어졌거나, 깨졌거나, 긁혔거나, 마모된 경우, DJI A/S 부서 또는 현지 판매점에 문의하십시오.
8. 비전 시스템, 적외선 센서 시스템과 해당 시스템의 관측 범위를 차단할 수 있는 물건을 해당 구역에 걸거나 놓아서는 안 됩니다.
9. 어떤 식으로든 비전 시스템 및 적외선 감지 시스템을 방해하지 말고(예를 들어, 강한 조명으로 비전 시스템을 밝히거나 적외선 센서를 향해 경면 반사기를 사용하는 등), 센서 렌즈가 깨끗하고 얼룩이 없는지 확인하십시오.
10. 기체 자세 각도가 25° 이상이거나 속도가 17m/s를 초과하는 경우, 비전 시스템과 적외선 감지 시스템은 장애물로부터 안전한 거리에서 기체를 제동하고 정지할 수 있습니다.
11. 비전 시스템 및 적외선 감지 시스템의 사각지대(회색)를 유념하십시오. 적외선 센서 관측 범위는 8m입니다.





## 규정 및 GEO 구역 준수

### 규정

#### ⚠경고

규정을 준수하지 않는 행동, 심각한 부상 및 재산 피해를 방지하기 위해 다음 규칙을 준수하십시오.

1. 고도와 상관없이 유인 기체 근처에서 비행하지 마십시오. 필요한 경우 즉시 착륙시키십시오.
2. 스포츠 경기 및 콘서트를 포함, 하지만 이에 국한되지 않는 대규모 행사가 열리는 지역에서는 기체를 비행하지 마십시오.
3. 현지 법률이 금지하는 구역에서 기체를 비행하지 마십시오.
4. 공인 고도를 넘어서 기체를 비행하지 마십시오. 유인 기체 운항에 방해할 주지 않도록 해당 지역을 피해서 비행하십시오. 항상 다른 기체와 장애물을 잘 살펴보고 충돌을 미연에 방지하십시오.

#### 주의

심각한 부상 및 재산 피해를 방지하기 위해 다음 규칙을 준수하십시오.

1. 현지 법률 및 규정에 지정된 GEO 구역 안이나 주변에서 기체를 비행하지 마십시오. GEO 구역 목록은 공항, 두 주권 국가 또는 지역 사이의 국경, 주요 도시/지역 등을 포함하며, 계속 업데이트됩니다.
2. 공인 고도를 넘어서 기체를 비행하지 마십시오.
3. 항상 기체를 시야(VLOS) 내에 유지하고 필요한 경우 관찰자의 도움을 받으십시오.
4. 불법적이거나 위험한 물건/패이로드를 운반하는 데 기체를 사용하지 마십시오.

#### 알림

1. 비행 조작의 성격/유형(예: 취미용, 공용 또는 상업용)을 이해하고 비행 전에 관련 정부 기관으로부터 해당 승인 및 허가를 취득해야 합니다.

다. 포괄적 정의와 특정 요구사항에 대해서는 현지 규제 기구에 문의하십시오. 미국에서 기체를 작동하는 사용자의 경우, 먼저 <http://www.knowbeforeyoufly.org/>를 방문하여 상황에 맞는 적절한 조치를 취하십시오.

2. 원격으로 조종되는 기체는 특정 국가 및 지역에서 상업 활동 수행이 금지될 수 있으므로 유의하십시오. 해당 규칙은 본 문서에 명시된 내용과 다를 수 있으므로 비행 전에 적용되는 모든 법률 및 규정을 확인하고 따르십시오.
3. 발전소, 수처리 시설, 교도소, 교통량이 많은 도로, 정부 시설, 군사 지역 등 민감한 기반 시설 또는 재산 주변에서 비행하지 마십시오.
4. 카메라를 사용할 때 타인의 프라이버시를 존중합니다. 개인, 기관, 행사, 공연, 전시회 또는 재산에 대해 허가 없이 이미지 캡처나 동영상 녹화를 하는 등 사생활 침해의 소지가 있는 감시 활동을 하지 마십시오. 이는 이미지나 동영상을 개인적인 용도로 캡처하는 경우에도 마찬가지입니다.
5. 특정 지역에서는 행사, 공연, 전시 또는 상업적 장소를 카메라로 기록하는 것은 저작권이나 기타 법적 권리의 위반이 될 수 있으며, 이는 이미지나 동영상의 개인적인 용도로 촬영된 경우에도 마찬가지입니다.

## 비행 제한

### 알림

DJI는 비행 안전을 최우선으로 생각하기에, 사용자가 더 안전하게 비행할 수 있는 다양한 방법을 고안해왔습니다. 이러한 방법은 사용자가 모든 관련 법률, 규정, 임시 비행 제한을 준수한다고 보장하지 않습니다. DJI 기체를 비행할 때 사용자 행동에 대한 책임은 전적으로 사용자에게 있습니다.

다음 기능을 완전히 업데이트할 수 있도록 펌웨어를 최신 버전으로 업데이트 할 것을 권장합니다.

### GEO 구역

1. 모든 GEO 구역은 DJI 공식 웹사이트(<http://www.dji.com/flysafe/>)에서 확인할 수 있습니다. GEO 구역은 다양한 범주로 나누어지며 공항, 유인 기체가 낮은 고도로 비행하는 구역, 국경, 발전소처럼 민감한 지역, 그리고 주요 이벤트가 열리고 있는 지역 등을 포함하나 이에 제한되지 않습니다.
2. 비행 제한은 구역에 따라 달라집니다. 특정 구역의 제한에 따라 DJI Pilot 앱에 경고가 나타나거나, 이륙이 금지되거나, 비행 고도가 제한되거나, 기체가 자동으로 착륙하는 것과 같은 조치를 자동으로 취할 수도 있습니다.
3. 기체가 GEO 구역 근처나 내부에 있을 때는 비행과 관련된 기능이 어느 정도 영향이 생길 것입니다. 이러한 영향으로는 기체가 느려지거나, 비행 작업을 만들 수 없게 되거나, 진행 중인 비행 작업이 중단되는 경우를 포함하나 이에 제한되지는 않습니다.
4. GEO 구역 제한에 따라 비행한다고 해서 모든 해당되는 법, 규정 및 임시 비행 제한을 준수한다고 보장되는 것은 아닙니다. 준수 여부를 확인하려면 변호사나 지역 당국에 문의하십시오.

### 고도 제한

1. 지면에서 120m를 넘지 않고 주위 장애물을 피해서 안전하게 비행하십시오. 법적 최대 비행 고도는 현지 법률 및 규정에 따라 더 낮을 수도 있습니다. 모든 관련 법률을 엄격히 준수하십시오.
2. 기본 고도 제한을 넘어서 비행하려는 경우 표시된 경고 메시지를 수락하여 새 고도도 제한을 활성화해야 합니다.



# Sicherheitsvorschriften auf einen Blick

## 1. Achten Sie auf die Umweltbedingungen

- Fliegen Sie immer an Orten, wo sich keine Gebäude oder andere Hindernisse befinden.
- Fliegen Sie NICHT über oder in der Nähe von Menschenmengen.
- Vermeiden Sie das Fliegen in Flughöhen von mehr als 120 Metern.\*
- Fliegen Sie bei gemäßigten Wetterbedingungen mit Temperaturen zwischen -20 °C und +50 °C.
- Bei Flügen in Gebäuden ist erhöhte Vorsicht geboten, da die Stabilisierungsfunktionen des Fluggeräts Störungen ausgesetzt sein könnten.
- Fliegen Sie NICHT, wenn die Windgeschwindigkeit mehr als 15 m/s beträgt. Landen Sie das Fluggerät so bald wie möglich, wenn Sie dazu von der DJI Pilot App aufgefordert werden.

## 2. Checkliste für die Flugvorbereitung

- Vergewissern Sie sich, dass die Fernsteuerung und die Akkus vollständig aufgeladen sind.
- Vergewissern Sie sich, dass die Propeller in gutem Zustand und vor jedem Flug sicher befestigt sind.
- Vergewissern Sie sich, dass sich die Motoren frei drehen können. Überprüfen Sie, ob die Motoren sauber und fleckenfrei sind.
- Vergewissern Sie sich, dass das Kameraobjektiv sauber und und fleckenfrei ist.
- Gehen Sie die in der DJI Pilot App angezeigte Checkliste für die Flugvorbereitung durch. Kalibrieren Sie den Kompass und die IMU, wenn die DJI Pilot App oder die Statusanzeige Sie dazu auffordern.
- Vergewissern Sie sich, dass die Anzahl der GPS-Satelliten in der DJI Pilot App nicht unter 6 liegt.
- Änderungen und Modifikationen an den Teilen des Fluggeräts können die Stabilität beeinträchtigen. Befolgen Sie zum Befestigen von kompatibler externer Ausrüstung unbedingt die offiziellen Anleitungen von DJI. Bitte sorgen Sie dafür, dass das Gesamtgewicht des Fluggeräts nach der Befestigung der Ausrüstung nicht mehr als 9 kg beträgt. Sorgen Sie dafür, dass die externe Ausrüstung in der richtigen Position befestigt ist, wie es in der offiziellen Anleitung angegeben ist, um eine Verschiebung des Gewichtsschwerpunkts des Fluggeräts zu vermeiden.
- Sorgen Sie dafür, dass die Objektive der Sichtsensoren, Infrarotsensoren, FPV-Kamera und Zusatzbeleuchtungen sauber sind und keine Flecken oder Fingerabdrücke aufweisen und nicht von irgendwelchen Teilen blockiert werden. (wie z. B. von einer angehängten Last).
- Sorgen Sie dafür, dass die Rahmenausleger vollständig auseinandergelagert sind. Die Rahmenausleger und die Landestelle müssen fest verriegelt sein.
- Sorgen Sie dafür, dass die Gummistecker fest in den Anschlüssen stecken, wenn die Anschlüsse am Fluggerät und die Fernsteuerung nicht verwendet werden.
- Sorgen Sie dafür, dass alle Lüfter des Fluggeräts frei von Fremdkörpern sind. Der Lufteinlass und der Belüftungsschlitze dürfen nicht blockiert sein. Sorgen Sie auch dafür, dass die Lüfter beim Betrieb keine ungewöhnlichen Geräusche von sich geben.

## 3. Schutzart IP45

Unter stabilen Laborbedingungen erreicht die M300 RTK die Schutzart IP45 gemäß Standard IEC 60529, wenn sie mit einer Intelligent Flight Battery vom Typ TB60 ausgestattet ist. Diese Schutzart gilt allerdings nicht unbegrenzt und kann sich bei langer Verwendung verringern.

- Fliegen Sie NICHT bei Niederschlagsmengen von über 100 mm pro 24h.
- Die Rahmenausleger dürfen NICHT im Regen gefaltet werden.
- Sorgen Sie dafür, dass die Anschlüsse des Akkus und Akkufachs und die Oberfläche des Akkus und Akkufachs vor dem Einlegen der Akkus trocken sind.
- Sorgen Sie vor dem Aufladen der Akkus dafür, dass die Akkuan Anschlüsse und Akkuoberflächen keine Flüssigkeiten aufweisen.
- Sorgen Sie vor dem Verstauen in den Transportkoffer dafür, dass das Fluggerät frei von Wasser (oder anderen Flüssigkeiten) ist, indem sie alle Bereiche vorsichtig abwischen.
- Die Produktgarantie deckt keine Wasserschäden.

\* Die Flughöhenangabe hängt von der jeweiligen Gerichtsbarkeit ab. Fliegen Sie NICHT über den maximalen Flughöhe, die in Ihren lokalen Gesetzen und Vorschriften festgelegt sind.



Die DJI™ MATRICE™ 300 RTK (M300 RTK) ist KEIN Spielzeug und ist für Personen unter 18 Jahren nicht geeignet. Bitte beachten Sie, dass die Sicherheitsvorschriften auf einen Blick™ nur eine Kurzübersicht unserer Sicherheitsstipps darstellt. Lesen Sie die übrigen Abschnitte dieses Dokuments aufmerksam durch, damit Sie den Inhalt verstehen.

Das Fluggerät erreicht die Schutzart IP45 nicht, wenn die folgenden Gegebenheiten bestehen:

- Gefaltete Rahmenausleger.
- Sie benutzen andere Akkus als die M300 RTK TB60 Intelligent Flight Battery.
- Die Abdeckungen für die Anschlüsse sind nicht ordnungsgemäß befestigt.
- Der obere Gehäusestecker (welcher zur Wetterfestigkeit führt) ist nicht fest am oberen Gehäuse befestigt.
- Das Fluggerät ist aus verschiedenen Gründen beschädigt, wie z. B. beschädigtes Fluggerätgehäuse, wasserdichter Klebstoff ist defekt usw.

## 4. Betrieb

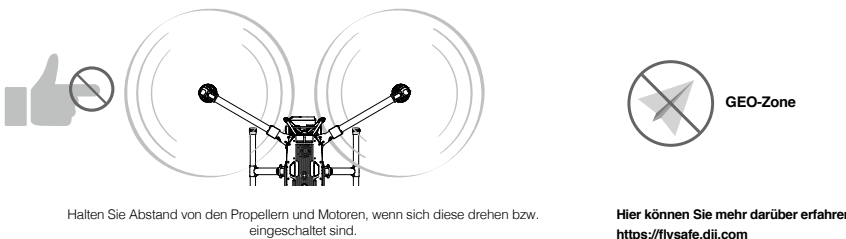
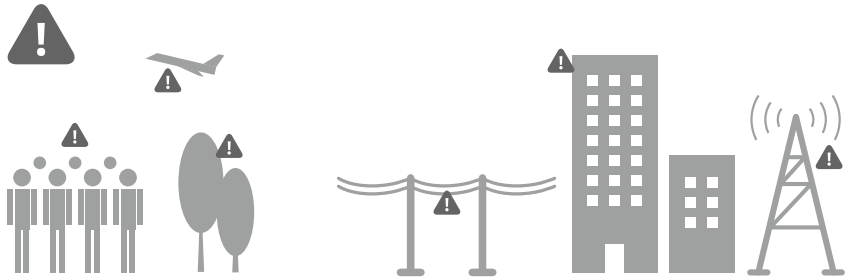
- Das Fluggerät darf NICHT von einem fahrenden Fahrzeug aus geflogen werden.
- Starten oder landen Sie das Fluggerät nicht in Bereichen, wo es sandig oder staubig ist, um eine Beeinträchtigung der Betriebsdauer des Motors zu vermeiden.
- Halten Sie ausreichend Abstand zu den rotierenden Propellern und Motoren.
- Behalten Sie das Fluggerät jederzeit im Blick.
- Um die Motoren während des Flugs zu stoppen, ziehen Sie beide Steuerknüpfel der Fernsteuerung zur unteren Innenecke oder unteren Außenecke.
- Wenn die Motoren während des Flugs gestoppt werden, stürzt das Fluggerät ab. Der Motor kann während des Flugs nur gestoppt werden, wenn der Flugregler einen kritischen Fehler erkannt hat.
- Obwohl das Fluggerät mit moderner Technologie ausgestattet ist, muss der Pilot während des Flugs nach seinem klaren Ermessen handeln. Sicherheits- und Flugsassistentenfunktionen, wie z. B. Hindernisvermeidung, präzise Landung und Landeschutz sind zur Assistenz beim Betrieb des Fluggeräts konzipiert und nicht als Ersatz dafür. Umgebungsbedingungen einschließlich Lichtverhältnissen und der Oberflächenstruktur von Hindernissen können die Leistung der Sichtsensoren beeinträchtigen.
- Nehmen Sie KEINE Anrufe entgegen, beantworten Sie KEINE Textnachrichten und verwenden Sie KEINE anderen Funktionen Ihres Mobilgeräts, welche Sie beim Betrieb Ihres Fluggeräts ablenken könnten. Betreiben Sie das Fluggerät NICHT unter dem Einfluss von Alkohol oder Drogen.
- Fliegen Sie NICHT dicht über reflektierende Oberflächen, wie z. B. Wasser oder Schnee, da eine solche Topografie gegebenenfalls die Leistung der Sichtsensoren beeinträchtigt.
- Landen Sie das Fluggerät im Falle einer Akkuwarnung umgehend an einem sicheren Ort.
- Während des sicherheitsbedingten Rückkehr ist das Fluggerät nicht in der Lage, Hindernisse zu vermeiden, wenn die Lichtverhältnisse nicht ausreichend sind. Sie können die automatische Rückkehrfunktion beenden und das Fluggerät betreiben, wenn das Fernsteuerungssignal wieder hergestellt wurde. Sorgen Sie dafür, vor jedem Flug eine angemessene sicherheitsbedingte Flughöhe einzustellen.
- Stoppen Sie nach der Landung zuerst die Motoren. Schalten Sie dann die Intelligent Flight Battery gefolgt von der Fernsteuerung aus.
- Obwohl das Fluggerät mit der modernsten Technologie der DJI Pilot App ausgestattet ist, muss der Pilot während des Flugs nach seinem klaren Ermessen handeln. Sicherheits- und Flugsassistentenfunktionen, wie z. B. Hindernisvermeidung, präzise Landung und Landeschutz sind zur Assistenz beim Betrieb des Fluggeräts konzipiert und nicht als Ersatz dafür. Umgebungsbedingungen einschließlich Lichtverhältnissen und der Oberflächenstruktur von Hindernissen können die Leistung der Sichtsensoren beeinträchtigen. Stellen Sie die Flughöhe der automatischen Rückkehrfunktion in der DJI Pilot App höher als die umliegenden Hindernisse ein.
- Der Landeschutz (überprüft in einer Höhe von 2 Metern ob der Boden für eine Landung geeignet ist) und erleichtert somit die Bedienung. Das Fluggerät bitte stets mit Bedacht bedienen, da die Sichtsensoren des Fluggeräts in bestimmten Situationen unter Umständen nicht funktionsfähig sind (z. B. schlechte Lichtbedingungen oder unklare Oberflächen von Hindernissen).

## 5. Wartung und Instandhaltung

- Verwenden Sie **KEINE** veralteten, angebrochenen oder beschädigten Propeller.
- Es wird empfohlen, das Fluggerät und die Akkus an einem kühlen und trockenen Ort bei Temperaturen zwischen 22 °C und 30 °C aufzubewahren und das Fluggerät vor direktem Sonnenlicht zu schützen.
- Lesen Sie die Sicherheitsrichtlinien für die Intelligent Flight Battery durch, um mehr über die sichere Verwendung des Akkus zu erfahren.

## 6. Halten Sie die lokalen Gesetze und Vorschriften ein

- Fliegen Sie **NICHT** in den ausgewiesenen GEO-Zonen. Sie finden relevante Informationen zu diesen Bereichen unter <http://flysafe.dji.com/>. Kontaktieren Sie die örtliche Luftverkehrsbehörde, um eine komplette Liste aller Vorschriften zu GEO-Zonen zu erhalten.
- Die Flughöhegrenze hängt von der jeweiligen Gerichtsbarkeit ab. Fliegen Sie **NICHT** über den maximalen Flughöhen, die in Ihren lokalen Gesetzen und Vorschriften festgelegt sind.
- Vermeiden Sie es, über Gebiete zu fliegen, in denen Rettungsteams aktiv den Luftraum benutzen.



## HINWEIS

Alle Anweisungen und sonstigen Begleitdokumente können nach alleiniger Ermessen von SZ DJI TECHNOLOGY CO., LTD („DJI“) geändert werden. Aktuelle Produktinformationen finden Sie unter <http://www.dji.com> und auf der Produktseite.

## Glossar

Die folgenden Begriffe werden in der gesamten Produktdokumentation verwendet und beschreiben potenzielle Gefahrenquellen unterschiedlicher Schweregrades, die beim Betreiben dieses Produkts entstehen können:

**[HINWEIS]** Bezieht sich auf Vorgehensweisen, die bei Nichtbeachtung zu Sachschäden UND geringen oder keinen Personenschäden führen können.

**[ACHTUNG]** Bei Nichtbeachtung der Vorgehensweisen besteht eine erhöhte Gefahr von Sachschäden UND eventuell die Gefahr von schweren Personenschäden.

**[! WARNING]** Bezieht sich auf Vorgehensweisen, die bei Nichtbeachtung zu Sachschäden, Begleitschäden und schweren Personenschäden führen ODER sehr wahrscheinlich zu schweren Verletzungen führen.



## WARNUNG

Lesen Sie vor dem Betrieb das gesamte Benutzerhandbuch durch, um mit den Funktionen des Produkts vertraut zu werden. Wenn die im Benutzerhandbuch vorgewebenen Anleitungen für den Betrieb des Produkts nicht befolgt werden, dann können Schäden am Produkt und an persönlichem Eigentum sowie schwere Verletzungen die Folge sein.

Dieses Produkt liegt komplexe Technik zugrunde. Es sollte mit Vorsicht und gesundem Menschenverstand betrieben werden. Die Bedienung erfordert einige grundlegende mechanische Kenntnisse. Unsachgemäße Bedienung kann zu Sach- oder Personenschäden führen. Dieses Produkt darf nicht von Kindern verwendet werden. Die Verwendung inkompatibler Bauteile sowie alle technischen Veränderungen am Produkt, die nicht in der Produktdokumentation oder anderen Relevanten Dokumenten von SZ DJI TECHNOLOGY CO., LTD erlaubt wurden, sind NICHT zulässig. Diese Sicherheitsvorschriften enthalten Anweisungen zum sicheren Betrieb, sowie zur Bedienung und zur Pflege des Produkts. Lesen und befolgen Sie unbedingt sämtliche Anleitungen und Warnhinweise im Benutzerhandbuch, bevor Sie das Produkt zusammenbauen, einrichten und verwenden, und damit Sie das Produkt sicher betreiben können und Sachschäden bzw. schwere Personenschäden vermieden werden.

ALTERSEMPFEHLUNG: NICHT FÜR PERSONEN UNTER 18 JAHREN GEEIGNET. DIES IST KEIN SPIELZEUG.

## Checkliste für die Flugvorbereitung

1. Sorgen Sie dafür, dass Sie nur Originalteile verwenden und alle Teile in einwandfreiem Zustand sind.
2. Vergewissern Sie sich, dass die Fernsteuerung, die Intelligente Flight Battery und das Mobilgerät vollständig aufgeladen sind.
3. Vergewissern Sie sich vor dem Einschalten der Kamera, dass sich am Kameraobjektiv keine Fremdkörper befinden, die microSD-Karte in der Gimbal-Kamera steck und der Gimbal frei beweglich ist.
4. Vergewissern Sie sich, dass die Propeller und die Befestigungsschrauben sicher an den Motoren befestigt sind und die Motoren normal starten und funktionieren können.
5. Befolgen Sie die Anleitungen auf dem Bildschirm, um den Kompass zu kalibrieren.
6. Vergewissern Sie sich, dass die DJI Pilot App und die Firmware des Fluggeräts mit der neuesten Version aktualisiert wurden.
7. Vergewissern Sie sich, dass sich Ihr Flugbereich außerhalb der GEO-Zone befindet und die Flugbedingungen zum Fliegen des Fluggeräts geeignet sind.
8. Sorgen Sie dafür, dass Sie NICHT unter dem Einfluss von Alkohol, Drogen oder anderen Substanzen fliegen, die Ihre Wahrnehmungsfähigkeit beeinträchtigen könnten.
9. Sie müssen mit dem ausgewählten Flugmodus vertraut sein sowie alle Sicherheits- und Warnfunktionen kennen und verstehen.
10. Sorgen Sie dafür, dass Sie alle lokalen Gesetze und Vorschriften befolgen, die entsprechenden Berechtigungen erhalten und die Risiken kennen und verstehen. DENKEN SIE DARAN: Sie alleine sind dafür verantwortlich, alle anwendbaren und geltenden Gesetze und Vorschriften zu erfüllen.
11. Bitte BEHALTEN SIE DIE VISUELLE SICHTLINIE (MIT IHREN AUGEN) IHRES FLUGGERÄTS STETS BEI. Bitte verlassen Sie sich NICHT nur auf die FPV-Kamera, um Ihr Fluggerät zu steuern.
12. Stellen Sie sicher, dass die DJI Pilot App ordnungsgemäß gestartet wurde, um Sie beim Betrieb des Fluggeräts zu unterstützen. Falls die Flugdaten nicht durch die DJI Pilot App aufgezeichnet werden, kann der DJI-Kundendienst Ihnen in bestimmten Situationen keinen Support anbieten (inklusive beim Verlust Ihres Fluggeräts).
13. Wenn Sie das Fluggerät mit industriellen Erweiterungen fliegen, dann testen Sie immer, wie es sich im Schwebeflug verhält. Sorgen Sie dafür,

dass das Gesamtgewicht beim Start nicht die normalen Spezifikationen überschreitet. Starten Sie das Fluggerät ohne starke mechanische Vibration des Fluggeräts und ohne elektromagnetische Störung oder Blockierung der Sichtsensoren oder Infrarotsensoren.

14. Sorgen Sie dafür, dass die Objektive der Sichtsensoren, Infrarotsensoren, FPV-Kameras und Zusatzbeleuchtungen sauber sind und keine Flecken oder Fingerabdrücke aufweisen und nicht von irgendwelchen Teilen blockiert werden, (wie z. B. von einer angehängten Last).
15. Sorgen Sie dafür, dass die Rahmenausleger vollständig auseinandergeklappt sind. Die Rahmenausleger und die Landestegge müssen fest verriegelt sein.
16. Sorgen Sie dafür, dass die Gummistecker fest in den Anschlüssen stecken, wenn die Anschlüsse am Fluggerät und die Fernsteuerung nicht verwendet werden.
17. Sorgen Sie dafür, dass alle Lüfter des Fluggeräts frei von Fremdkörpern sind. Der Lufteinlass und der Belüftungsschlitze dürfen nicht blockiert sein. Sorgen Sie auch dafür, dass die Lüfter beim Betrieb keine ungewöhnlichen Geräusche von sich geben.

## Haftungsausschluss und Warnhinweis

Bei diesem Produkt handelt es sich um kein Spielzeug. Für Personen unter 18 Jahren ist das Produkt nicht geeignet. Erwachsene sollten das Fluggerät außerhalb der Reichweite von Kindern halten und aufpassen, wenn dieses Fluggerät in Gegenwart von Kindern verwendet wird.

Obwohl das Produkt moderne Technologie verwendet, kann die unsachgemäße Verwendung des Produkts zu Personen- und Sachschäden führen. Bitte lesen Sie vor dem ersten Gebrauch des Produkts die beigelegte Dokumentation durch. Die Dokumente werden mit dem Produkt geliefert und können auch auf der DJI-Produktseite unter <http://www.dji.com> heruntergeladen werden.

Die hier enthaltenen Informationen betreffen Ihre persönliche Sicherheit sowie Ihre gesetzlichen Rechte und Pflichten. Bitte lesen Sie das gesamte Dokument aufmerksam durch, um das Produkt für den Betrieb ordnungsgemäß einrichten zu können. Bei Nichtbeachtung dieser Anleitungen und Warnhinweise können der Verlust des Produkts, schwere Personenschäden oder Sachschäden am Fluggerät die Folge sein.

Mit dem Gebrauch des Produkts bestätigen Sie, dass Sie diesen Haftungsausschluss aufmerksam gelesen und den Inhalt verstanden haben und mit den Allgemeinen Geschäftsbedingungen einverstanden sind. SOFERN NICHT AUSDRÜCKLICH IN DEN KUNDENSERVICE-RICHTLINIEN VON DJI UNTER [HTTP://WWW.DJI.COM/SERVICE-POLICY](http://WWW.DJI.COM/SERVICE-POLICY) ANGEBOGEN, WERDEN DAS PRODUKT SOWIE ALLE DARÜBER ZUGÄNGLICHEN MATERIALIEN UND INHALTE ENTSPRECHEND DEM AKTUELLEN ENTWICKLUNGSSTAND UND OHNE AUSDRÜCKLICHE ODER STILLSCHWEIGENDE ZUSICHERUNGEN ODER BEDINGUNGEN BEREITGESTELLT. DJI HAFTE FÜR KEINE GARANTIEIEN JEDWEDER ART, AUSSER JENER, DIE AUSDRÜCKLICH VON DJI IN ENTSPRECHENDE SERVICE-RICHTLINIEN ANGEBOGEN SIND, WEDER AUSDRÜCKLICH ODER STILLSCHWEIGEND, IN BEZUG AUF DAS PRODUKT, PRODUKTZUBEHÖR UND ALLE MATERIALIEN ENTHALTEN, EINSCHLIESSLICH: (A) JEGLICHE IMPLIZIERTE GEWÄHRLEISTUNG FÜR DIE MARKTFÄHIGKEIT, EIGNUNG FÜR EINEN BESTIMMTEN ZWECK, TITEL, UNGESTÖRTE NUTZUNG ODER NICHTVERLETZUNG; UND (B) JEGLICHE GEWÄHRLEISTUNG, DIE NICHT DURCH DEN VERKAUF, DEN GEBRAUCH ODER DEN HANDEL ERFOLGT. SOFERN NICHT AUSDRÜCKLICH IN DER BESCHRÄNKTEN GARANTIE VON DJI ANGEBOGEN, SICHERT DJI NICHT ZU, DASS DAS PRODUKT, DAS PRODUKTZUBEHÖR, TEILE DES PRODUKTS ODER DIE MATERIALIEN UNTERBRECHUNGSFREI, GEFÄHRLOS ODER FREI VON FEHLERN, VIREN ODER ANDEREN SCHÄDLICHEN BESTANDTEILEN ZU BETRIEBEN SIND UND DASS SOLCHE MÄNGEL BEHOBBEN WERDEN.

AUS KEINER BERATUNG ODER INFORMATION IN MÜNDLICHER ODER SCHRIFTLICHER FORM, DIE SIE AUS DEM PRODUKT, DEM PRODUKTZUBEHÖR ODER DEN MATERIALIEN ZIEHEN, KANN EINE ZUSÄTZLICHE GEWÄHRLEISTUNG FÜR DAS PRODUKT ABGELEITET WERDEN, DIE IN DIESEN NUTZUNGSBEDINGUNGEN NICHT AUSDRÜCKLICH ANGEBOGEN IST. SIE ÜBERNEHMEN ALLE RISIKEN FÜR JEGLICHE SCHÄDEN, DIE DURCH IHREN GEBRAUCH DES PRODUKTS, DES PRODUKTZUBEHÖRS ODER DER MATERIALIEN BZW. DEN ZUGRIFF DARAUFGESTEHEN KÖNNEN. SIE BESTÄTIGEN, DASS SIE DAS PRODUKT NACH EIGEMEM ERMESSEN UND AUF EIGENES RISIKO VERWENDEN UND ALLEIN FÜR PERSONENSCHÄDEN, TODESFÄLLE, SACHSCHÄDEN AN EINIGEN (BEZIEHT SICH AUCH AUF DAS COMPUTERSYSTEM, DAS MOBILGERÄT ODER DIE DJI-HARDWARE, DIE SIE IN VERBINDUNG MIT DEM PRODUKT VERWENDEN) ODER FREMDEN GÜTERN SOWIE FÜR DATENVERLUSTE VERANTWORTLICH SIND, DIE AUF IHREN GEBRAUCH BZW. IHR NUTZUNGSUNFÄHIGKEIT DES PRODUKTS ZURÜCKZUFÜHREN SIND.

IN MANCHEN GERICHTSBARKEITEN SIND GEWÄHRLEISTUNGS-AUSSCHLÜSSE NICHT ZULÄSSIG, SODASS IHNEN JE NACH GERICHTSBARKEIT ANDERE RECHTE GEWÄHRT WERDEN.

DJI übernimmt keine Haftung für Sachschäden oder Personenschäden sowie keine juristische Verantwortung für Schäden, die direkt oder indirekt mit dem Gebrauch des Produkts in Zusammenhang stehen. Der Benutzer muss sichere und rechtmäßige Praktiken, einschließlich der in diesen Sicherheitsrichtlinien beschriebenen, einhalten, die jedoch nicht allein darauf beschränkt sind.

## Datenspeicherung und -nutzung

Bei Verwendung unserer mobilen App oder unserer Produkte oder anderer Software, können Sie DJI Daten zu Nutzung und Betrieb des Produkts (wie z. B. Telemetriedaten wie Fluggeschwindigkeit, Flughöhe, Akkulaufzeit oder Daten zu Gimbal und Kamera) bereitstellen. Das interne Speicher des Produkts speichert unterschiedliche Daten, einschließlich Flugtelemetriedaten. Sie können uns auch Flugtelemetriedaten und andere Daten bereitstellen, wenn Sie diese Informationen manuell vom internen Speichergerät an uns übertragen.

Weitere Informationen entnehmen Sie den Datenschutzrichtlinien von DJI (unter <http://www.dji.com/policy>).

## Bevor Sie anfangen

Bei diesem Produkt handelt es sich um ein Fluggerät, das in einwandfreiem technischem Zustand (Beschreibung siehe unten) einfach zu fliegen ist. Die aktuellen Anleitungen und Warnhinweise zum Produkt finden Sie auf <http://www.dji.com>. Weitere Informationen zu Flugsicherheit und Einhaltung der einschlägigen Vorschriften finden Sie auf <http://knowbeforeyoufly.org>.

Wir haben mehrere Dokumente für Sie vorbereitet, die Ihnen dabei helfen, das Fluggerät sicher und sachgemäß zu betreiben:

Lieferumfang

Haftungsausschluss und Sicherheitsvorschriften

Sicherheitsvorschriften zur Intelligent Flight Battery

Kurzanleitung

Benutzerhandbuch

Überprüfen Sie alle Teile, die auf dem Packzettel zum Lieferumfang aufgelistet sind. Lesen Sie den Haftungsausschluss und die Sicherheitsvorschriften. Bereiten Sie dann Ihren ersten Flug vor, indem Sie die Kurzanleitung verwenden und alle Tutorial-Videos auf der offiziellen DJI-Website (<http://www.dji.com>) ansehen. Wenn Sie Fragen haben, dann lesen Sie das Benutzerhandbuch auf der App oder offiziellen DJI-Website, um umfassendere Informationen zu erhalten. Vergewissern Sie sich vor jedem Flug, dass Sie die Funktionalität jedes einzelnen Teils, die Anforderungen an die Flugbedingungen, die wichtigsten Notfallwarnfunktionen/-systeme und alle behördlichen Vorschriften vollständig verstanden haben. Wenn Sie zu Zusammenbau, Wartung oder Betrieb des Produkts Fragen haben oder Probleme auftreten, wenden Sie sich bitte an DJI oder einen autorisierten DJI-Händler.

## Einzelteile

### Originale und Funktionsteile

#### **⚠️ WARNUNG**

Befolgen Sie die folgenden Regeln, um schwere Sach- und Personenschäden zu vermeiden:

1. Nur DJI-Originaleile oder von DJI zertifizierte Teile verwenden. Nicht zugelassene Teile oder Teile von Herstellern, die nicht von DJI zertifiziert wurden, können Systemstörungen verursachen und die Betriebssicherheit des Produkts beeinträchtigen.
2. Sorgen Sie dafür, dass sich keine Fremdkörper, wie z. B. Wasser, Öl, Schmutz, Sand usw. im Fluggerät oder in den Bauteilen befinden.
3. Sorgen Sie dafür, dass das Fluggerät und alle seine Bauteile, einschließlich, aber nicht beschränkt auf die Fernsteuerung, die Kamera, den Kompass, das Antriebssystem und den Akku, in funktionstüchtigem Zustand und frei von Schäden sind und ordnungsgemäß funktionieren. Lesen Sie die übrigen Abschnitte in diesem Dokument durch, um mehr darüber zu erfahren, wie die Funktionalität dieser Bauteile gewährleistet wird.
4. Das Fluggerät, seine Komponenten und Teile dürfen NICHT modifiziert oder verändert werden. Unerlaubte Modifikation kann zu Fehlfunktionen führen und die Funktionalität des Fluggeräts und die Sicherheit beeinträchtigen.
5. Sorgen Sie dafür, dass alle Lüfter des Fluggeräts frei von Fremdkörpern sind. Der Lufteinlass und der Belüftungsschlitz dürfen nicht blockiert sein.
6. Das gesamte Zubehör, das zusammen mit der M300 RTK verwendet werden kann, einschließlich, aber nicht beschränkt auf Gimbale und CSM-Radar (Circular Scanning Millimeter-Wave-Radar) dürfen nur mit dem Fluggerät verwendet werden. Der Benutzer trägt die volle Verantwortung für Schäden, die durch die Verwendung von Zubehör mit nicht offiziell zugelassenen Produkten entstehen.
7. Verwenden Sie zum Anschluss der Fluggerätsanschlüsse KEINE Kabel, die nicht von DJI stammen. Dies könnte sonst zu Fehlfunktionen führen und die Sicherheit beeinträchtigen.

## Videoübertragungssystem

#### **HINWEIS**

1. Aktivieren Sie den „benutzerdefinierten Modus“ nur unter Anleitung einer ausgebildeten Person. Andernfalls kann das Übertragungssignal aufgrund von Interferenzen eine höhere Verzögerung aufweisen oder das Signal völlig abbrechen.

## Fernsteuerung

#### **HINWEIS**

1. Laden Sie die Smart-Fernsteuerung vor jedem Flug vollständig auf.
2. Wenn die Smart-Fernsteuerung eingeschaltet und der Touchscreen

fünf Minuten lang ausgeschaltet ist, dann wird ein Alarmon ausgelöst. Zehn Sekunden nach der Auslösung des Alarmons, schaltet sich die Smart-Fernsteuerung automatisch aus. Um den Alarm zu beenden, bewegen Sie die Steuerknüppel, oder betätigen Sie eine beliebige andere Funktion der Fernsteuerung.

3. Um eine optimale Sendeleistung zu erreichen, falten Sie die Antennen aus und richten Sie diese korrekt aus.
4. Wenden Sie sich bei beschädigten Antennen an den DJI-Support, um die Antennen zu reparieren oder zu ersetzen. Beschädigte Antennen beeinträchtigen die Übertragungsleistung enorm.
5. Koppeln Sie bei einem Wechsel des Fluggeräts die Smart-Fernsteuerung erneut mit dem Fluggerät.
6. Stellen Sie sicher, dass das Fluggerät immer vor der Smart-Fernsteuerung ausgeschaltet wird.
7. Laden Sie die Smart-Fernsteuerung alle drei Monate vollständig auf.
8. Laden Sie die Smart-Fernsteuerung sofort auf, wenn der Ladezustand auf 10 % fällt, um eine Beschädigung der Smart-Fernsteuerung durch übermäßiges Entladen über einen längeren Zeitraum hinweg zu vermeiden. Entladen Sie die Smart-Fernsteuerung bei längerer Einlagerung oder Nichtnutzung auf einen Ladezustand zwischen 40 % und 60 %.
9. Der Belüftungsschlitz an der Smart-Fernsteuerung darf NICHT abgedeckt werden. Andernfalls kann die Smart-Fernsteuerung überhitzen, was die Leistungsfähigkeit beeinträchtigen kann.
10. Zerlegen Sie die Smart-Fernsteuerung NICHT ohne die Unterstützung eines autorisierten DJI-Händlers. Wenden Sie sich immer an DJI oder einen autorisierten DJI-Händler, um die Komponenten der Smart-Fernsteuerung zu ersetzen.
11. Das integrierte GPS darf NICHT abgeschirmt werden. In den Fällen, wo die Montagehalterung am Bildschirm der DJI Smart-Fernsteuerung (nachstehend als „Montagehalterung“ bezeichnet) installiert ist, entfernen Sie sie und versuchen es erneut, wenn das GPS-Signal schwach ist.
12. Nehmen Sie die Steuerknüppel NICHT zu häufig ab, um Verschleiß an den Gewinden der Steuerknüppelabdeckungen zu vorbeugen.

## Kompass

#### **ACHTUNG**

Befolgen Sie die nachstehenden Regeln, um schwere Sach- und Personenschäden zu vermeiden:

1. Laden Sie sofort, wenn ein offensichtliches Driften im Flug auftritt.
2. Fliegen Sie NICHT in Umgebungen mit starken elektromagnetischen Störungen oder in Bereichen mit vielen Hindernissen.
3. Wenn die DJI Pilot App vor dem Start Kompasskalibrierung anzeigt, dann starten Sie nach der Kalibrierung in einer Umgebung ohne magnetische Störung.

#### **HINWEIS**

Kalibrieren Sie den Kompass nur dann, wenn Sie die DJI Pilot App oder die Statusanzeige dazu aufgefordert werden. Befolgen Sie die nachstehenden Regeln, die Ihre Kompass kalibrieren:

1. Kalibrieren Sie Ihren Kompass nicht an Orten, an denen elektromagnetische Störungen auftreten, wie z. B. Störung durch Magnete, Parkhäuser oder Stahllagerungen unter der Erde.
2. Tragen Sie KEINE ferromagnetischen Materialien an sich, wenn Sie eine Kalibrierung durchführen, wie z. B. ein Handy.
3. Die DJI Pilot App wird Sie dazu auffordern, das Problem mit dem Kompass zu bereinigen, wenn der Kompass durch starke Störung nach der erfolgten Kalibrierung beeinträchtigt wird. Befolgen Sie die angezeigten Anleitungen, um das Problem mit dem Kompass zu bereinigen.

## Antriebssysteme

#### **⚠️ WARNUNG**

Beachten Sie die folgenden Regeln, um ernsthafte Verletzungen von Ihnen oder anderen Personen zu vermeiden, die durch rotierende Propeller und Motoren verursacht werden können:

Propeller

1. Verwenden Sie KEINE veralteten, angebrochenen oder beschädigten Propeller.
2. Bevor Sie die Propeller berühren, muss das Fluggerät stets ausgeschaltet sein.
3. Achten Sie auf die scharfen Kanten der Propeller, wenn Sie die Propeller montieren oder entfernen. Tragen Sie beim Berühren der Propeller stets Handschuhe oder treffen Sie andere Schutzmaßnahmen.
4. Falls es notwendig ist, verwenden Sie beim Installieren und Entfernen der Propeller Werkzeuge, wie z. B. Schraubenschlüssel, Schraubenzieher, Beifänge usw.
5. Sorgen Sie dafür, dass die Propeller und Befestigungsschrauben fest montiert sind, um zu vermeiden, dass sich die Propeller oder Befestigungsschrauben von den Motoren lösen.
6. Schalten Sie die Motoren beim Montieren der Propeller oder wenn sich Menschen oder Tiere in unmittelbarer Nähe der Motoren befinden KEINESFALLS ein.

- Die Verwendung von Propellern von Drittanbietern kann die Aerodynamik des Fluggeräts beeinträchtigen. Wir empfehlen Ihnen, für eine bessere und sicherere Flugerfahrung nur Originalpropeller von DJI zu verwenden.
- Wischen Sie die Propeller vor jedem Flug zuerst ab, damit diese trocken sind, insbesondere bei Umgebungstemperaturen um 0 °C, um Reif und Eisablagerungen vorzubeugen.

#### Motoren

- Sorgen Sie dafür, dass die Motoren sicher befestigt sind und problemlos rotieren.
- Sorgen Sie für vor jedem Flug für eine ordnungsgemäße Installation und eine normale Funktionalität des Motors. Wenn die Belüftungsausschlüsse an den Motoren blockiert sind, müssen diese vor dem Flug gesäubert werden. Wenn die Abdeckung Verschleiß, Schaden oder Verformung aufweist, kontaktieren Sie bitte DJI oder einen autorisierten Händler von DJI.
- Nehmen Sie am Motoraufbau KEINE Änderungen vor.
- Nach dem Flug sind die Motoren eventuell heiß und dürfen NICHT mit den Händen oder anderen Körperteilen in Berührung kommen.

#### Elektronische Drehzahlregler

- Befolgen Sie vor jedem Flug bei Bedarf die in der App angezeigten Anforderungen, um Abnormalitäten des elektronischen Drehzahlreglers zu beheben.
- Bitte landen Sie das Fluggerät, wenn die DJI Pilot App einen Fehler mit den elektronischen Drehzahlreglern anzeigt (z. B. Übertemperatur, Niederspannung oder Überlastung).

#### ACHTUNG

Befolgen Sie die nachstehenden Regeln, um schwere Sach- und Personenschäden zu vermeiden:

- Sorgen Sie dafür, dass die Belüftungsöffnungen an den Motoren NICHT blockiert sind.
- Sorgen Sie dafür, dass die Belüftungsöffnungen an den Rahmenauslegern des Fluggeräts NICHT blockiert sind.

#### HINWEIS

#### Motoren

- Starten oder landen Sie das Fluggerät nicht in sandigen oder staubigen Bereichen, um eine Beeinträchtigung der Betriebsdauer des Motors zu vermeiden.
- Halten Sie die Motoren staubfrei und sorgen Sie dafür, dass die Belüftungsöffnungen des Motors nicht blockiert sind.
- Wenn ein Motor blockiert ist und nicht problemlos rotiert, dann führen Sie den Steuerknüppel-Kombinationsbefehl (Combination Stick Command, CSC) aus, um die Motoren sofort zu stoppen.

#### Elektronische Drehzahlregler

Vergewissern Sie sich, dass die elektronischen Drehzahlregler beim Einschalten einen normalen Ton abgeben.

#### DJI Pilot App

#### HINWEIS

- Laden Sie Ihr Tablet oder Mobilgerät (falls verwendet) vollständig auf, bevor Sie die App starten.
- Wenn Sie ein Telefon als Ihr mobiles Anzeigerät verwenden, sorgen Sie dafür, dass Sie den Flug sicher fortsetzen, wenn das Telefon einen ankommenden Anruf erhält. Nehmen Sie während des Flugs KEINE Telefonanrufe entgegen.
- Bei der Verwendung der DJI Pilot App sind ist eine mobile Internetverbindung erforderlich. Bitte kontaktieren Sie bezüglich der Datengebühren Ihren Mobilfunkanbieter.
- Lesen Sie alle angezeigten Sicherheitshinweise, Warnhinweise und Haftungsausschlüsse aufmerksam durch. Machen Sie sich mit den einschlägigen Vorschriften in Ihrer Region vertraut. Sie allein sind verantwortlich für die Einhaltung aller einschlägigen Vorschriften und für das entsprechende, regelkonforme Flugverhalten.
  - Lesen und verstehen Sie die Warnhinweise, bevor Sie den Startpunkt zurücksetzen.
  - Lesen und verstehen Sie die Warnhinweise und den Haftungsausschluss, bevor Sie die Flughöhe außerhalb der vorgeschriebenen Grenze einstellen.
  - Lesen und verstehen Sie die Warnhinweise und den Haftungsausschluss, bevor Sie in einen anderen Flugmodus wechseln.
- Landen Sie Ihr Fluggerät sofort an einem sicheren Ort, wenn die App eine Warnung anzeigt.
- Prüfen und kontrollieren Sie vor jedem Flug alle Warnhinweise auf der Checkliste, die in der App angezeigt wird.
- Wenn Sie das Fluggerät zum ersten Mal betreiben oder NICHT ausreichende Erfahrung zur Bedienung des Fluggeräts haben, üben Sie das Fliegen mit dem DJI ASSISTANT™ 2.
- Speichern Sie vor jedem Flug die Kartendaten des geplanten Flugesatzgebiets, indem Sie eine Verbindung zum Internet herstellen.
- Die App soll Sie bei der Bedienung unterstützen. Bitte verwenden Sie das Fluggerät mit der nötigen Umsicht und verlassen Sie sich zur

Steuerung des Fluggeräts NICHT auf die App.

- Ihre Verwendung der App unterliegt den Nutzungsbedingungen der DJI Pilot App und den Datenschutzrichtlinien von DJI. Bitte lesen Sie die entsprechenden Angaben in der App.

#### Firmware

#### ⚠️ WARNUNG

Zur Vermeidung von schweren Verletzungen an Personen und Tieren, befolgen Sie die nachstehende Vorschrift:

- Halten Sie bei den folgenden Verfahren Kinder und Tiere in einem sicheren Abstand: Firmwareaktualisierung, Systemkalibrierung und Parameter-einstellung.

#### HINWEIS

- Zur Sicherheit müssen Sie die Firmware immer mit der neuesten Version aktualisieren, wenn die DJI Pilot App eine Aktualisierungsbenachrichtigung anzeigt.
- Firmware-Aktualisierungsbenachrichtigungen informieren Sie über neue Firmware-Versionen. Sie müssen die angezeigten Informationen lesen und verstehen.
- Sie müssen die Firmware der Fernsteuerung mit der neuesten Version aktualisieren, nachdem Sie die Firmware des Fluggeräts aktualisiert haben.
- Nach der Aktualisierung sind die Fernsteuerung und das Fluggerät möglicherweise nicht mehr miteinander verbunden.
- Prüfen Sie vor der Durchführung der Firmwareaktualisierung unbedingt alle Anschlüsse und nehmen Sie die Propeller von den Motoren ab.

#### SDK

#### HINWEIS

- Vor der Verwendung von DJI-SDK müssen Sie sich mit den DJI-SDK-Nutzungsbedingungen und den DJI-Datenschutzrichtlinien einverstanden erklären. Diese Nutzungsbedingungen und Datenschutzrichtlinien begrenzen einige der rechtlichen Verantwortlichkeiten von DJI. Bitte lesen Sie den entsprechenden Inhalt unter <https://developer.dji.com/policies/> sorgfältig durch.

#### Kamera (optional)

#### ⚠️ WARNUNG

Befolgen Sie die nachstehenden Regeln, um schwere Sach- und Personenschäden zu vermeiden:

- Die Belüftungsöffnungen an der Kamera NICHT blockieren, da die entstehende Wärme das Gerät beschädigen oder zu Verletzungen des Benutzers führen kann.

#### HINWEIS

- Überprüfen Sie vor der Verwendung die Kameraeinstellungen, um sicherzustellen, dass sie Ihren Anforderungen entsprechen.
- Testen Sie die Kamera, indem Sie einige Testbilder machen. Prüfen Sie, ob die Kamera richtig funktioniert, bevor Sie wichtige Bilder aufnehmen und Videos aufzeichnen.
- Bei eingeschalteter Kamera darf die microSD-Karte NICHT aus der Gimbal-Kamera entnommen werden. Bitte verwenden Sie offiziell empfohlene microSD-Speicherkarten.
- Sorgen Sie dafür, dass Sie die Intelligent Flight Battery sachgemäß ausschalten. Andernfalls werden Ihre Kameraeinstellungen nicht gespeichert und die aufgezeichneten Videos können beschädigt werden.
- Unabhängig von der Ursache übernimmt DJI keine Verantwortung für die Aufnahme von Bildern oder Aufzeichnung von Videos, die nicht von einem elektronischen Gerät lesbar sind.

#### Gimbal (optional)

#### HINWEIS

- Bei Zusammenstoßen und Aufprall können die Präzisionsbauteile im Gimbal beschädigt werden, so dass der Gimbal unter Umständen nicht mehr einwandfrei funktioniert.
- Bewegen Sie den Gimbal NIEMALS unter Anwendung äußerer Kraftwirkung, nachdem er eingeschaltet wurde.
- Fügen Sie dem Gimbal KEINE industriellen Erweiterungen hinzu, da der Gimbal sonst eventuell in seiner Funktion gestört wird oder dies zu Motorschäden führen kann.
- Der Gimbal und die Gimbal-Verbindung sind sehr empfindlich. Stets mit Vorsicht behandeln und die Gimbal-Verbindung NICHT berühren. Jeder Schaden kann Fehlfunktionen hervorgerufen.
- Halten Sie den Gimbal fest in der Hand, wenn Sie ihn entfernen oder erneut befestigen, damit er nicht herunterfällt.
- Beim Einschalten des Fluggeräts darf der Gimbal NICHT befestigt oder entfernt werden.
- Bei der Verwendung eines Systems mit mehreren Gimbal müssen Sie die Anleitungen im Benutzerhandbuch genau befolgen, die im Abschnitt zum sachgemäßem Montieren von kompatiblen Gimbal-Kameras beschrieben sind.

## Pflege des Produkts

### Aufbewahrung und Transport

#### **⚠️ WARNUNG**

Zur Vermeidung von schweren Verletzungen an Personen und Tieren, befolgen Sie die nachstehende Vorschrift:

1. Es ist gefährlich, kleine Teile zu verschlucken, wie z. B. Kabel und Riemen. Bewahren Sie alle Teile außerhalb der Reichweite von Kindern und Tieren auf.

#### **HINWEIS**

1. Der Akku muss regelmäßig vollständig entladen und dann neu aufgeladen werden, um eine gute Akkulaufzeit aufrechtzuerhalten. Lesen Sie die Sicherheitsrichtlinien für die Intelligent Flight Battery durch, um mehr über die sichere Verwendung des Akkus zu erfahren.
2. Die Kamera darf NICHT mit Wasser oder anderen Flüssigkeiten in Berührung kommen oder in Wasser oder andere Flüssigkeiten eingetaucht werden. Sollte die Kamera nass werden, trocknen Sie die Kamera mit einem weichen, saugfähigen Tuch ab. Das Einschalten eines Fluggeräts, das ins Wasser gefallen ist, kann zu dauerhaften Schäden der Bauteile führen. Verwenden Sie zum Reinigen und Pflegen der Kamera KEINE Substanzen, die Alkohol, Benzol, Verdünnungsmittel oder andere brennbare Stoffe enthalten. Bewahren Sie die Kamera NICHT in feuchten oder staubigen Bereichen auf.
3. Nehmen Sie den Gimbal vom Fluggerät ab, wenn Sie den ihn für einen langen Zeitraum aufbewahren oder über weite Strecken transportieren.
4. Verbinden Sie dieses Produkt NICHT mit einem USB-Anschluss, welcher eine ältere als Version als USB 2.0 aufweist. Verbinden Sie dieses Produkt NICHT mit „PoweredUSB“ oder vergleichbaren Anschlüssen.
5. Die Rahmenseiter und Propeller müssen während des Transport sachgemäß auseinandergefaltet werden. Andernfalls könnten die Antennen beschädigt werden. Stellen Sie das Fluggerät vorsichtig auf den Boden, um Schäden an der IMU oder anderen Teilen zu vermeiden.

### Wartung und Instandhaltung

#### **HINWEIS**

1. Kontaktieren Sie nach einem Absturz oder heftigen Stoß die von DJI empfohlenen Servicezentren zur Produktüberprüfung oder -reparatur. Das Betreiben eines beschädigten Fluggeräts ist sehr gefährlich und kann zu Körperverletzungen oder Sachschäden führen.
2. Der Akku muss regelmäßig vollständig entladen und dann neu aufgeladen werden, um eine gute Akkulaufzeit aufrechtzuerhalten. Lesen Sie die Sicherheitsrichtlinien für die Intelligent Flight Battery durch, um mehr über die sichere Verwendung des Akkus zu erfahren.
3. Es wird empfohlen, regelmäßige Wartungen zur Flugsicherheit und Zuverlässigkeit zu planen. Lesen Sie die Sicherheitsvorschriften für die Intelligent Flight Battery durch, um mehr darüber zu erfahren.
4. Prüfen Sie regelmäßig die Akkuladezustandsanzeigen, um den aktuellen Akkuladezustand und die allgemeine Akkuladezeit zu sehen. Der Akku ist auf 200 Zyklen ausgelegt. Es wird nicht empfohlen, ihn danach weiterzuverwenden. Lesen Sie die Sicherheitsrichtlinien für die Intelligent Flight Battery durch, um mehr über die sichere Verwendung und Wartung des Akkus zu erfahren.
5. Informationen zur Überprüfung und Wartung des Produkts nach längerem Gebrauch finden Sie im Wartungshandbuch, um das Produkt in einem bestmöglichen Zustand zu halten und potenzielle Sicherheitsrisiken zu verringern. Die Häufigkeit, mit der Wartungsarbeiten durchgeführt werden sollten, hängt davon ab, wie oft das Produkt verwendet wird. Die Wartungsarbeiten müssen jedoch mindestens alle sechs Monate durchgeführt werden. Das Produkt kann auch zur Wartung an DJI gesendet werden. Für weitere Informationen besuchen Sie <https://enterprise.dji.com/enterprise-maintenance>.
6. Einige Teile der M300 RTK haben ein sichere Lebensdauer. Verschleißteile wie Propeller und Gimbal-Dämpfer haben ab dem Zeitpunkt des ersten Gebrauchs eine sichere Lebensdauer von 300 Stunden, während die Komponenten des Antriebssystems eine sichere Lebensdauer von 900 Stunden haben. Es können potenzielle Sicherheitsrisiken bestehen, wenn das Produkt nach Ablauf der sicheren Lebensdauer verwendet wird. DJI ist nicht verantwortlich für Risiken, die durch die weitere Verwendung des Produkts entstehen können.

## Anforderungen an die Flugbedingungen

### Wetterbedingungen und Umfeld

#### **⚠️ WARNUNG**

Das Fluggerät ist auf den Betrieb bei günstigen bis mäßigen Wetterverhältnissen ausgelegt. Befolgen Sie die nachstehenden Regeln, um einen Zusammenstoß und schwere Verletzungen an Personen und Sachschäden zu vermeiden:

1. Betreiben Sie das Fluggerät NICHT bei widrigen Wetterverhältnissen. Dazu gehören hohe Windgeschwindigkeiten über 15 m/s, Schnee, starker Regen, Smog, Hagel, Gewitter, Tornados und Hurrikane.
2. Sorgen Sie dafür, dass sich das Fluggerät während des Flugs mindestens 10 Meter entfernt von Personen, Tieren, Bäumen,

Gewässern und anderen Hindernissen befindet, wie z. B. Gebäude und öffentliche Infrastruktur. Halten Sie sich mit zunehmender Höhe noch weiter von den oben genannten Objekten entfernt.

3. Seien Sie EXTRA vorsichtig, wenn Sie das Fluggerät in Innenräumen betreiben. Einige Funktionen des Fluggeräts können gegebenenfalls beeinträchtigt werden, insbesondere die Stabilisierungsfunktion.
4. Sorgen Sie dafür, dass beim Fliegen innerhalb eines Gebäudes die Sichtsensoren aktiviert sind. Hinweis: Die Sichtsensoren funktionieren gegebenenfalls NICHT ordnungsgemäß, wenn das Fluggerät über Wasser fliegt, einschließlich über Oberflächen ohne klare Strukturen oder in einem Umfeld mit schwacher Beleuchtung.

#### **HINWEIS**

1. Die Leistung von Fluggerät und Akku ist abhängig von Umgebungsbedingungen wie der Luftdichte und der Lufttemperatur.
  - a. Das Fluggerät darf NICHT betrieben werden, wenn die Temperatur außerhalb des Bereichs von -20 °C bis +50 °C liegt.
2. Verwenden Sie das Fluggerät NICHT in der Nähe von Unfällen, Feuer, Explosionen, Fluten, Tsunamis, Lawinen, Erdstößen, Erdbeben, Staub oder Sandstürmen.

### Kommunikationsstörungen

#### **HINWEIS**

1. Prüfen Sie, ob irgendein Teil des Fluggeräts durch einen Zusammenstoß beschädigt wurde oder es abgestürzt ist. Kontaktieren Sie den DJI Support oder einen autorisierten Händler von DJI, falls nötig ist.
2. Fliegen Sie in offenen Bereichen. Hohe Gebäude oder Stahlbauten können die Genauigkeit des Onboard-Kompasses beeinträchtigen und das GPS-Signal blockieren.
3. Vermeiden Sie Interferenzen zwischen der Fernsteuerung und anderen Funkgeräten. Schalten Sie die Wi-Fi-Funktion Ihres Mobilgeräts ab.
4. Sind Sie äußerst aufmerksam und vorsichtig, wenn Sie in der Nähe von Bereichen mit elektromagnetischen Störungen und Funkstörungen fliegen. Dazu gehören, ohne darauf beschränkt zu sein, Hochspannungsleitungen, große Umspannstationen oder mobile Basisstationen und Sendemasten. Andernfalls kann die Sendeleistung des Produkts beeinträchtigt werden, oder es können Störungen in der Übertragung der Signale von Fernsteuerung und Videosystem die Folge sein, sodass Fluglage und Positionsgenauigkeit beeinträchtigt werden. In Bereichen mit zu starker Signalstörung verhält sich das Fluggerät möglicherweise ungewöhnlich oder lässt sich nicht mehr einwandfrei steuern.

### Verantwortlicher Umgang und Betrieb des Fluggeräts

#### **⚠️ WARNUNG**

Befolgen Sie die nachstehenden Regeln, um schwere Verletzungen an Personen und Sachschäden zu vermeiden:

1. Sie dürfen NICHT unter dem Einfluss von Alkohol, Drogen oder Betäubungsmitteln stehen oder durch Schwindel, Müdigkeit, Übelkeit oder ähnliche physische oder mentale Zustände, die den sicheren Betrieb des Fluggeräts gefährden können, beeinträchtigt sein.
2. Schalten Sie nach der Landung zuerst das Fluggerät und dann die Fernsteuerung aus.
3. KEINE gefährlichen Nutzlasten etwa auf Gebäuden, Personen oder Tieren abfeuern, schleudern oder auf andere Weise abwerfen, welche zu Personen- oder Sachschäden führen kann.
4. Ein abgestürztes oder in einen Unfall verwickeltes Fluggerät darf NICHT verwendet werden. Das trifft auch auf ein Fluggerät zu, welches sich in einem schlechten Zustand befindet.

#### **HINWEIS**

1. Stellen Sie sicher, dass Sie ausreichend geschult wurden und über alle Notfallpläne informiert sind, bevor es zu Unfällen kommt.
2. Sorgen Sie dafür, dass Sie einen Flugplan haben. Fliegen Sie das Fluggerät niemals fahrlässig und leichtfertig.
3. Respektieren Sie die Privatsphäre anderer, wenn Sie die Kamera verwenden. Sorgen Sie dafür, dass Sie die lokalen Datenschutzvorschriften, Bestimmungen und moralische Standards erfüllen.
4. Dieses Produkt darf nur für den allgemeinen persönlichen Gebrauch verwendet werden. Verwenden Sie dieses Produkt NICHT für einen illegalen oder unangebrachten Zweck, wie z. B. Bespitzelung, Militäroperationen oder unberechtigte Ermittlungen.
5. Verwenden Sie dieses Produkt NICHT, um andere zu diffamieren, zu missbrauchen, zu belästigen, zu verfolgen, zu bedrohen oder auf andere Weise die gesetzlichen Rechte (wie das Recht auf Privatsphäre und Öffentlichkeitsrecht) anderer zu verletzen.
6. Überfliegen Sie NICHT das Privateigentum anderer und begehen Sie keinen Hausfriedensbruch.

## Flugmodi, Funktionen und Warnhinweise

### Flugmodi

#### **⚠️ WARNUNG**

Wechseln Sie NICHT von Modus „P“ auf Modus „S“ oder Modus „T“, es



sei denn, Sie sind ausreichend mit dem Verhalten des Fluggeräts in jedem Flugmodus vertraut. Sie müssen die Einstellung „Multi-Flugmodus“ in der App aktivieren, bevor Sie vom Modus „P“ auf andere Modi wechseln können. Das Fluggerät wechselt automatisch in den Attitude-Modus, wenn die zwei folgenden Bedingungen erfüllt sind: (1) Die Sichtsensoren sind nicht verfügbar und (2) entweder ist das GPS-Signal schwach oder der Kompass ist einer Störung ausgesetzt.

Der Attitude-Modus, die Sichtsensoren und einige der anderen erweiterten Funktionen sind deaktiviert. Deshalb kann sich das Fluggerät in diesem Modus nicht positionieren oder automatisch bremsen. So kann das Fluggerät leicht von seinem Umfeld beeinträchtigt werden, was zu einer horizontalen Verschiebung der Position führen kann. Verwenden Sie die Fernsteuerung zum Positionieren des Fluggeräts.

Das Manövrieren des Fluggeräts im Attitude-Modus kann schwierig sein. Sorgen Sie dafür, dass Sie mit dem Flug im Attitude-Modus gut vertraut sind, bevor Sie das Fluggerät auf den Attitude-Modus schalten. Fliegen Sie das Fluggerät NICHT zu weit weg, da Sie sonst die Kontrolle verlieren und potenzielle Gefahren verursachen können.

Vermeiden Sie das Fliegen in Bereichen mit schwachem GPS-Signal oder in engen, begrenzten Räumen. Andernfalls wird das Fluggerät dazu gezwungen, in den Attitude-Modus zu wechseln, was zu potenziellen Unfällen führen kann. Bitte landen Sie das Fluggerät so bald wie möglich an einem sicheren Ort.

#### HINWEIS

Der Modus „P“ wird für die meisten Flugszenarien bevorzugt. Wenn Sie in anderen Modi fliegen, dann treffen Sie ZUSÄTZLICHE Vorsichtsmaßnahmen, denn einige Funktionen stehen NICHT zur Verfügung. Wenn Sie in Attitude-Modus fliegen, dann treffen Sie ZUSÄTZLICHE Vorsichtsmaßnahmen, denn einige Funktionen stehen im Attitude-Modus NICHT zur Verfügung. Wenn Sie in einem Gebäude fliegen, dann kann das Fluggerät beim Fliegen über Oberflächen ohne klare Strukturen keinen Präzisionswechselflug durchführen. Lesen Sie den Abschnitt „Sicht- und Infrarotsensoren“, um mehr über alle Kriterien zum Fliegen in Gebäuden zu erfahren.

1. Modus „P“ (Positionsbestimmung): Der Modus „P“ sollte gewahrt werden, wenn das GPS-Signal ausreichend stark ist. Das Fluggerät nutzt GPS und Sichtsensoren, um sich automatisch selbst zu stabilisieren.
2. Modus „S“ (Sport): Der Modus „S“ ist mit dem Modus „P“ identisch, was die Flugreglereinstellungen betrifft, mit der Ausnahme, dass die Handhabungsverstärkungswerte des Fluggeräts angepasst werden, um die Manövrierfähigkeit des Fluggeräts zu verbessern. In diesem Modus wird die maximale Flugeschwindigkeit des Fluggeräts erhöht.
3. Modus „T“ (Stativmodus): Der Modus „T“ basiert auf dem Modus „P“, allerdings mit einer begrenzten Flugeschwindigkeit, wodurch die Bewegung des Fluggeräts einfacher kontrolliert wird.

#### Automatische Rückkehrfunktion (Return to Home, RTH)

##### HINWEIS

1. Die Automatische Rückkehrfunktion kann vom Wetter, dem Umfeld oder sich in der Nähe befindlichen Magnetfeldern beeinträchtigt werden.
2. Sorgen Sie dafür, dass Sie das Fluggerät innerhalb der Übertragungreichweite der Fernsteuerung betreiben.
3. Drücken Sie auf die Rückkehrfunktion-(RTH)-Taste an der Fernsteuerung, um die Rückkehrfunktion zu aktivieren, statt die Fernsteuerung abzuschalten. Das Fluggerät fliegt dann zum Startpunkt, der zuletzt aufgezeichnet wurde.
4. Während des Fluges über besonders dunkle (< 15 Lux) oder helle (> 10.000 Lux) Oberflächen, kann das Fluggerät Hindernisse nicht vermeiden. Verlassen Sie sich NICHT auf die Sichtsensoren und sind Sie stets wachsam, wenn Sie das Fluggerät steuern. Falls es notwendig ist, steuern Sie das Fluggerät selbst oder drücken Sie auf die Rückkehrtaste, um den Rückflug des Fluggeräts zu stoppen.
5. Hohe Gebäude können möglicherweise die sicherheitsbedingte Funktion nachteilig beeinflussen. Es ist daher wichtig, vor jedem Flug eine angemessene sicherheitsbedingte Flughöhe einzustellen. Stellen Sie während des Rückflugs die Flughöhe des Fluggeräts ein.
6. Die automatische Rückkehrfunktion funktioniert NICHT, wenn das GPS-Signal unzureichend ist (ein GPS-Signal unter drei Bar) oder wenn GPS nicht aktiviert ist.
7. Wenn das Fernsteuerungssignal und das GPS-Signal schwach sind und wenn das Fluggerät den Startpunkt nicht erkennt, dann verweilt das Fluggerät 8 Sekunden lang im Schwebeflug, bevor es automatisch landet, vorausgesetzt das Fluggerät ist im Modus „P“.
8. Wenn es die Akkulaufzeit erlaubt, dann kehrt das Fluggerät zuerst zum letzten Punkt zurück, an dem das Fluggerät eine Verbindung mit der Fernsteuerung während der sicherheitsbedingten Rückkehr hatte. Daher kann es sein, dass Sie möglicherweise beobachten, wie das Fluggerät zuerst von Ihnen wegfliegt und dann zum Startpunkt zurückkehrt.

#### Niedriger Akkustand

##### HINWEIS

1. Wenn die Warnung „Kritischer Batteriestand“ aktiviert wird und das Flugzeug automatisch sinkt, können Sie den Steuerknüppel nach oben

drücken, um die Flughöhe des Fluggeräts beizubehalten und zu einem für die Landung geeigneteren Ort zu navigieren.

2. Wenn die Akkuwarnhinweise ausgelöst werden, dann steuern Sie das Fluggerät umgehend zum Startpunkt zurück oder landen Sie es, um einen Stromausfall während des Fluges und eine Beschädigung des Flugzeugs, von Eigentum, Tieren und Menschen zu vermeiden.

#### D-RTK 2

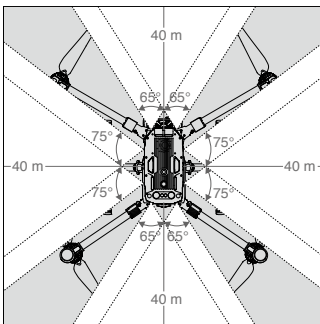
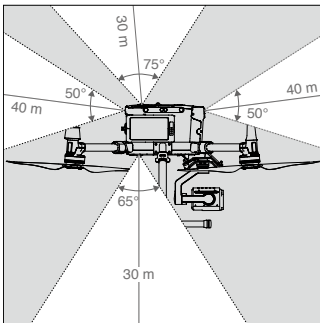
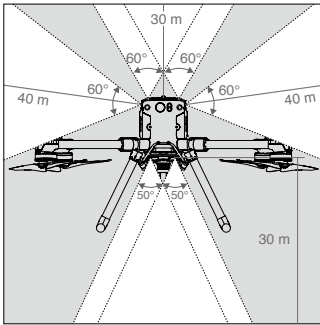
##### HINWEIS

1. Nur DJI-Originalteile oder Teile mit DJI-Freigabe verwenden! Nicht zugelassene Teile oder Teile von Herstellern, die nicht von DJI zertifiziert sind, können Systemausfall verursachen und die Betriebssicherheit des Produkts beeinträchtigen.
2. Betreiben Sie das Produkt im Freien in einer Umgebung, in der keine Funkstörsignale auftreten.
3. Die D-RTK 2-Antennen dürfen NICHT abgedeckt oder abgeschirmt sein.

#### Sicht- und Infrarotsensoren

##### HINWEIS

1. Die Sichtsensoren funktionieren ordnungsgemäß in einer Höhe von bis zu 30 Metern über Oberflächen, die Variationen von gut erkennbaren Oberflächenstrukturen aufweisen. Die Sichtsensoren funktionieren nicht, wenn das Fluggerät schnell in einer Höhe von unter 0,5 Metern fliegt.
2. Die Sichtsensoren funktionieren möglicherweise nicht ordnungsgemäß, wenn das Fluggerät über Wasser fliegt. Verlassen Sie sich nicht zu sehr auf die Sichtsensoren und betreiben Sie das Fluggerät mit großer Vorsicht.
3. Es kann sein, dass die Sichtsensoren in den folgenden Situationen NICHT ordnungsgemäß funktionieren:
  - a. Flüge über monochrome Oberflächen (z. B. rein schwarz, rein weiß, rein rot, rein grün) oder ohne klare Oberflächenstrukturen.
  - b. Flüge über stark reflektierende Oberflächen.
  - c. Flüge über Gewässern oder transparenten Oberflächen.
  - d. Flüge über sich bewegenden Oberflächen oder Gegenständen (z. B. über sich bewegenden Personen, wehendem Schilf, Sträuchern und Gras).
  - e. Fliegen in einem Bereich, in dem sich die Lichtverhältnisse oft und drastisch ändern, oder in einem Bereich, der direktem starkem Licht ausgesetzt ist.
  - f. Flüge über besonders dunkle (< 15 Lux) oder helle (> 10.000 Lux) Oberflächen.
  - g. Flüge mit hoher Flugeschwindigkeit (über 14 m/s bei 2 Meter oder über 5 m/s bei 1 Meter).
  - h. Kleine Hindernisse.
  - i. Das Objektiv ist verschmutzt, (wie z. B. durch Regentropfen, Fingerabdrücke usw.).
  - j. Szenen mit geringer Sicht, (wie z. B. dichter Nebel).
4. Die Infrarotsensoren liefern unter folgenden Gegebenheiten möglicherweise KEINE genaue Distanz:
  - a. Flüge über Oberflächen, die Schallwellen absorbieren können (z. B. rein schwarze, matte Objekte).
  - b. Bei einer großen Fläche mit stark reflektierenden Objekten in einem Abstand von mehr als 15 Metern (z. B. mehrere, nebeneinander stehende Verkehrsschilder).
  - c. Kleine Hindernisse
  - d. Spiegel oder transparente Substanzen oder Objekte (z. B. Wasser und Glas).
5. Die Kalibrierung der Sichtsensoren ist erforderlich, wenn das Fluggerät absturzanfällig ist. Kalibrieren Sie die Sichtsensoren, wenn Sie von der DJI Pilot App dazu aufgefordert werden.
6. Vermeiden Sie das Fliegen in regnerischem und nebligem Wetter oder in anderen Umgebungen mit schlechter Sicht (Sicht unter 100 Metern).
7. Sorgen Sie dafür, dass die Sicht- und Infrarotsensoren immer sauber sind.
  - a. Entfernen Sie den Oberflächenfilm, Aufkleber und andere Hindernisse.
  - b. Falls sich Wassertropfen, Fingerabdrücke, Schmutz usw. angesammelt haben, wischen Sie diese bitte sauber ab (verwenden Sie einen sauberen Lappen, keine organischen Lösungsmittel wie Alkohol).
  - c. Wenden Sie sich an den DJI-Kundendienst oder einen Händler vor Ort, wenn das Schutzglas in die Drohne gefallen, zerbrochen, zerkratzt oder abgenutzt ist.
8. Montieren Sie KEINE Objekte im Bereich der Sichtbereich der Sicht- oder Infrarotsensoren, welche diese blockieren würden.
9. Beeinträchtigen Sie die Sicht- und Infrarotsensoren in keiner Weise (z. B. mit einer starken Lichtquelle zum Beleuchten der Sichtsensoren oder mit auf den Infrarotsensor gerichteten Spiegelreflektoren) und stellen Sie sicher, dass das Sensorobjektiv sauber und fleckenfrei ist.
10. Die Sichtsensoren und Infrarotsensoren können das Fluggerät nicht in einem sicheren Abstand von einem Objekt bremsen oder stoppen, wenn der Flughöhenwinkel des Fluggeräts mehr als 25 Grad beträgt oder die Flugeschwindigkeit 17 m/s übersteigt.
11. Bitte beachten Sie die toten Winkel (grau) der Sicht- und Infrarotsensoren. Die Beobachtungsbreite der Infrarotsensoren beträgt 8 Meter.



## Beachtung von Vorschriften und GEO-Zonen

### Vorschriften

#### **⚠️ WARNUNG**

Bitte beachten, um Rechtsverstöße, schwere Personenschäden und Sachschäden zu vermeiden:

1. Betreiben Sie das Fluggerät unabhängig von der Flughöhe NICHT in der Nähe bemannter Fluggeräte. Gegebenenfalls sofort landen.
2. Fliegen Sie das Fluggerät NICHT in Bereichen, in denen große Veranstaltungen stattfinden, wie z. B. Sportveranstaltungen und Konzerte.
3. Fliegen Sie das Fluggerät NICHT in Bereichen, in denen dies durch örtliche Gesetze verboten ist.
4. Überschreiten Sie NICHT die zulässige Maximalflughöhe. Halten Sie ausreichend Abstand zu bemannten Fluggeräteeinsätzen, und stören Sie diese NICHT. Sie müssen stets auf andere Flugzeuge und Hindernisse achten und diese vermeiden.

#### **⚠️ ACHTUNG**

Bitte beachten, um schwere Sach- und Personenschäden zu vermeiden:

1. Betreiben Sie das Fluggerät NICHT in GEO-Zonen oder in deren Nähe,

welche aufgrund von Vorschriften oder Gesetzen festgelegt wurden. Zu den GEO-Zonen gehören unter anderem: Flughäfen, Grenzen zwischen zwei souveränen Staaten oder Regionen, Großstädte/bedeutende Regionen usw. Diese Liste wird laufend erweitert.

2. Überschreiten Sie NICHT die zulässige Maximalflughöhe.
3. Halten Sie Ihr Fluggerät IMMER in Sichtweite (VLOS) und setzen Sie bei Bedarf einen Beobachter zur Unterstützung ein.
4. Sie dürfen das Fluggerät NIEMALS dazu verwenden, illegale oder gefährliche Güter oder Nutzlasten zu tragen.

#### **HINWEIS**

1. Vergewissern Sie sich, dass Ihnen die Natur Ihres Flugbetriebs bewusst ist (z. B. zur Freizeitgestaltung, zur öffentlichen Nutzung oder zur kommerziellen Nutzung) und vor dem Flug die entsprechende Genehmigung und Freigaben der zuständigen Regierungsbehörden erhalten haben. Lassen Sie sich von den lokalen Aufsichtsbehörden über umfassende Definitionen und bestimmte Anforderungen aufklären und beraten. Für Benutzer, die Ihre Fluggeräte in den Vereinigten Staaten von Amerika betreiben: Bitte besuchen Sie <http://www.knowbeforeyoufly.org/> und ergreifen Sie Ihren Umständen entsprechende Maßnahmen.
2. Bitte beachten Sie, dass ferngesteuerte Fluggeräte in bestimmten Ländern und Regionen möglicherweise keine kommerziellen Aktivitäten durchführen dürfen. Prüfen und befolgen Sie vor dem Flug alle anwendbaren Gesetze und Verordnungen, da diese gegebenenfalls von den hier beschriebenen Regeln und Bestimmungen abweichen.
3. Umfliegen Sie NICHT sensible Infrastrukturen oder Grundstücke, wie z. B. Kraftwerke, Wasseraufbereitungsanlagen, Justizvollzugsanstalten, stark befahrene Straßen, Regierungsgebäude, Militäreinrichtungen usw.
4. Respektieren Sie die Privatsphäre anderer, wenn Sie die Kamera verwenden. Ohne entsprechende Genehmigung dürfen Sie das Fluggerät NICHT zur Überwachung von Personen, Objekten, Veranstaltungen, Vorführungen, Ausstellungen, Immobilien und Privatbereichen verwenden, selbst wenn die Bildaufnahme oder Videoaufzeichnung für den persönlichen Gebrauch bestimmt ist.
5. Wir weisen Sie darauf hin, dass in bestimmten Bereichen die Aufnahme von Bildern und die Aufzeichnung von Videos von Veranstaltungen, Vorführungen, Ausstellungen oder Gewerbeimmobilien mithilfe einer Kamera einen Verstoß gegen das Urheberrecht oder andere gesetzliche Rechte darstellt, auch wenn die Bildaufnahme oder die Videoaufzeichnung für den persönlichen Gebrauch stattfindet.

## Flugbeschränkungen

#### **HINWEIS**

Bei DJI steht die Sicherheit immer an erster Stelle, daher haben wir verschiedene Techniken entwickelt, damit Flüge für Anwender noch sicherer werden. Diese Hilfsmittel machen Flüge zwar sicherer, garantieren jedoch nicht die Einhaltung aller geltenden Gesetze. Vorschriften oder temporärer Flugbeschränkungen. Sie allein sind für Ihr Verhalten beim Fliegen eines DJI-Fluggeräts verantwortlich.

Wir empfehlen, die Firmware auf die neueste Version zu aktualisieren, um die folgenden Funktionen auf den aktuellen Stand zu bringen:

### GEO-Zonen

1. Alle GEO-Zonen sind auf der offiziellen DJI Website unter <http://www.dji.com/flysafe> aufgeführt. GEO-Zonen sind in verschiedene Kategorien unterteilt und umfassen unter anderem Orte wie Flughäfen und Flugfelder, in denen bemannte Flugzeuge in niedrigen Flughöhen operieren, Ländergrenzen und sensible Orte wie Kraftwerke oder Plätze auf denen Großveranstaltungen stattfinden.
2. Flugbeschränkungen unterscheiden sich je nach Zone. Je nach Beschränkung werden in den GEO-Zonen unter Umständen verschiedene Warnmeldungen in der DJI Pilot App angezeigt. So kann der Start verboten oder die Flughöhe beschränkt sein. Es kann auch vorkommen, dass das Fluggerät automatisch reagiert und z. B. selbstständig landet.
3. Für den Flugbetrieb relevante Funktionen können beeinträchtigt sein, wenn das Fluggerät sich innerhalb oder in der Nähe von GEO-Zonen befindet. Das kann z. B. zur Folge haben, dass das Fluggerät abbrummt, dass Flugaufgaben nicht eingegeben werden können oder dass Flugaufgaben abgebrochen werden.
4. Wenn Sie das Fluggerät gemäß der Beschränkungen der GEO-Zonen verwenden, ist damit nicht garantiert, dass auch alle vor Ort geltenden rechtlichen Bestimmungen und Flugbeschränkungen eingehalten werden. Lassen Sie sich von einem Anwalt oder den örtlichen Behörden beraten, um sicherzustellen, dass alle Gesetze eingehalten werden.

### Flughöhenbeschränkung

1. Fliegen Sie NICHT höher als 120 Meter über dem Boden, und halten Sie Abstand zu allen umliegenden Hindernissen. Die gesetzliche maximale Flughöhe kann gemäß Ihrer lokalen Gesetze und Vorschriften niedriger sein. Die anwendbaren Gesetze müssen streng befolgt werden.
2. Wenn Sie beabsichtigen, höher als die voreingestellte Flughöhenbegrenzung zu fliegen, dann müssen Sie den angezeigten Haftungsausschluss akzeptieren, um die neue Flughöhenbegrenzung zu aktivieren.

# Seguridad de un vistazo

## 1. Consideraciones medioambientales

- Vuele siempre en ubicaciones alejadas de edificios y otros obstáculos.
- NO vuele cerca ni por encima de aglomeraciones de personas.
- Evite volar a altitudes superiores a 120 m (400 pies).\*
- Vuele en condiciones climáticas moderadas con temperaturas de -20 a 50 °C (de -4 a 122 °F).
- Tenga todavía más cuidado al volar en interiores, ya que las funciones de estabilización de la aeronave pueden sufrir interferencias.
- NO vuele cuando la velocidad del viento exceda los 15 m/s o 53,91 km/h. Haga aterrizar la aeronave lo antes posible cuando la aplicación DJI Pilot le indique que lo haga.

## 2. Lista de comprobación previa al vuelo

- Asegúrese de que las baterías del control remoto y la aeronave estén completamente cargadas.
- Asegúrese de que las hélices estén en buenas condiciones y bien apretadas antes de cada vuelo.
- Asegúrese de que no haya nada que obstruya los motores. Verifique que los motores estén limpios y sin manchas.
- Compruebe que el objetivo de la cámara esté limpio y libre de manchas.
- Complete la lista de verificación previa al vuelo que se muestra en la aplicación DJI Pilot. Calibre la brújula y la IMU cuando se lo solicite la aplicación DJI Pilot o el indicador de estado.
- Asegúrese de que el número de satélites GPS no sea inferior a 6 en la aplicación DJI Pilot.
- Alterar o modificar las partes de la aeronave puede afectar a su estabilidad. Siga estrictamente las instrucciones oficiales de DJI para conectar equipos externos compatibles y asegúrese de que el peso total de la aeronave no supere los 9 kg después del acoplamiento. Asegúrese de que el equipo externo esté montado en la posición correcta según lo dispuesto en las instrucciones oficiales para evitar el desplazamiento del centro de gravedad de la aeronave.
- Asegúrese de que el sistema de visión, los sensores infrarrojos, las cámaras FPV y las lentes de las luces auxiliares estén limpios y libres de manchas o huellas dactilares, así como que tampoco estén obstruidos por ningún componente (por ejemplo, una carga acoplada).
- Asegúrese de que los brazos del bastidor estén completamente desplegados y de que los brazos del bastidor y los trenes de aterrizaje estén firmemente bloqueados.
- Asegúrese de que el tapón de goma esté insertado firmemente cuando no se usen los puertos de la aeronave ni el control remoto.
- Asegúrese de que todos los ventiladores de enfriamiento de la aeronave estén libres de objetos extraños y de que la entrada y la salida de aire no estén obstruidas. Asimismo, asegúrese de que los ventiladores funcionen sin ningún ruido anormal.

## 3. Índice de protección IP45

- En condiciones de laboratorio estables, el M300 RTK alcanza un índice de protección IP45 conforme a la norma IEC60529 cuando está equipado con Baterías de Vuelo Inteligente TB60. Sin embargo, este índice de protección no es permanente y puede reducirse con el tiempo después de un uso prolongado.
- NO vuele si las precipitaciones superan los 100 mm al día o a las 24 horas.
  - NO pliegue los brazos del bastidor bajo la lluvia.
  - Antes de insertar las baterías, asegúrese de que sus puertos, los puertos del compartimento, sus superficies y las superficies del compartimento estén secas.
  - Asegúrese de que los puertos y las superficies de la batería estén libres de líquido antes de cargarla.
  - Antes de guardar la aeronave en el estuche de transporte, límpiela cuidadosamente para asegurarse de que no tiene ningún líquido.
  - La garantía del producto no cubre daños por agua.

\* La restricción de altitud de vuelo varía según la jurisdicción. NO vuele por encima de las altitudes máximas establecidas por las leyes y normativas locales.



La aeronave DJI™ MATRICE™ 300 RTK (M300 RTK) NO es un juguete ni es adecuada para menores de 18 años. Tenga en cuenta que el apartado "Seguridad de un vistazo" solo proporciona una descripción general rápida de los consejos de seguridad. Asegúrese de leer y entender las secciones restantes de este documento.

La aeronave no alcanza la clasificación de protección IP45 en las siguientes circunstancias:

- Brazos del bastidor plegados.
- Uso de baterías diferentes a las Baterías de Vuelo Inteligente TB60 para la serie M300 RTK.
- La cubierta de los puertos no está correctamente cerrada.
- El tapón de la carcasa superior impermeable no está firmemente sujeto a la carcasa superior.
- La aeronave está rota debido a varias razones, como la rotura de la carcasa de la aeronave, el fallo del adhesivo resistente al agua, etc.

## 4. Funcionamiento

- NO haga volar la aeronave desde un vehículo en movimiento.
- Para no perjudicar la vida útil del motor, no haga despegar ni aterrizar la aeronave en áreas arenosas o polvorientas.
- Manténgase alejado de las hélices y los motores en movimiento.
- Mantenga una línea de visión directa de la aeronave en todo momento.
- Para detener los motores en pleno vuelo, tire de las dos palancas del control remoto hacia la esquina inferior interior o la esquina exterior inferior.
- La detención de los motores en pleno vuelo provocará que la aeronave sufra una colisión. Los motores solo se pueden detener en pleno vuelo cuando el controlador de vuelo detecta un error crítico.
- Aunque la aeronave esté equipada con tecnología avanzada, se requiere que durante el vuelo el piloto ejerza en todo momento su capacidad de juicio. Las funciones de seguridad y asistencia de vuelo, como el sistema anticollisión, el aterrizaje preciso y la protección en el aterrizaje, están diseñadas para ayudarle a manejar el aparato, no para reemplazarle a usted. Las condiciones ambientales, como los rayos y las texturas de ciertos obstáculos, pueden afectar al rendimiento del sistema de visión.
- NO responda llamadas ni mensajes, ni use otras funciones de sus dispositivos móviles que puedan distraerle del control de la aeronave durante el vuelo. NO vuele bajo los efectos del alcohol ni de las drogas.
- NO sobrevuele cerca de superficies reflectantes, como agua o nieve, ya que estas superficies pueden afectar al rendimiento del sistema de visión.
- En caso de una advertencia de batería baja, haga aterrizar la aeronave inmediatamente en un lugar seguro.
- Durante el procedimiento de Regreso al punto de origen, la aeronave no podrá evitar los obstáculos si las condiciones de luz no son buenas. Puede salir de este procedimiento y operar la aeronave cuando se obtenga nuevamente la señal del control remoto. Es importante establecer una altitud de seguridad apropiada antes de cada vuelo.
- Después de aterrizar, primero pare el motor, luego apague la Batería de Vuelo Inteligente y, a continuación, apague el control remoto.
- Pese a su tecnología avanzada, se requiere que durante el vuelo se ejerza en todo momento la capacidad de juicio mediante la aplicación DJI Pilot. Las funciones de seguridad y asistencia de vuelo, como el sistema anticollisión, el aterrizaje preciso y la protección en el aterrizaje, están diseñadas para ayudarle a manejar el aparato, no para reemplazarle a usted. Las condiciones ambientales, como los rayos y las texturas de ciertos obstáculos, pueden afectar al rendimiento del sistema de visión. En la aplicación DJI Pilot, establezca una altitud de regreso al punto de origen más alta que los obstáculos circundantes.
- La protección durante el aterrizaje (detecta si el suelo es apropiado para aterrizar cuando se llega a una altitud de 2 m sobre el suelo) se utiliza para optimizar la experiencia de manejo del dron. Permanezca siempre atento cuando esté

controlando la aeronave ya que el sistema de visión puede desactivarse en ciertas situaciones (iluminación escasa, patrones borrosos en la superficie de un obstáculo...) y puede producirse un error al detectar la superficie del suelo.

### 5. Mantenimiento y cuidado

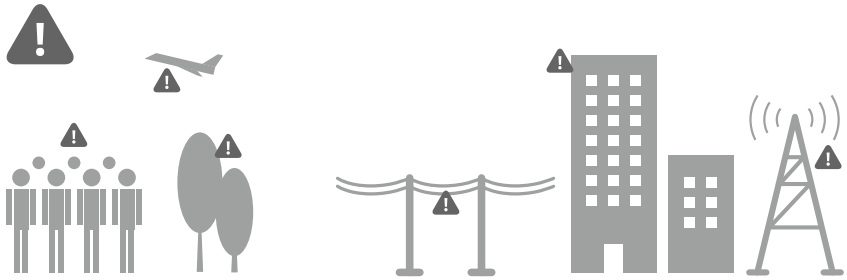
- NO utilice hélices desgastadas, astilladas ni rotas.
- Se recomienda almacenar la aeronave y las baterías en un lugar fresco y seco con temperaturas entre 22 y 30 °C (71 y 86 °F) y evitar la exposición a la luz solar directa.
- Consulte las Directrices de seguridad de la Batería de Vuelo Inteligente para obtener más información sobre el uso seguro de la batería.

### 6. Respete las leyes y regulaciones locales

- NO vuele en las zonas GEO. Puede encontrar información relevante sobre estas áreas en <http://fllysafe.dji.com/>. Consulte a las autoridades de aviación locales para obtener una lista completa y las regulaciones de las zonas GEO.
- La restricción de altitud de vuelo varía en diferentes jurisdicciones. NO vuele por encima de las altitudes máximas establecidas por las leyes y normativas locales.
- Evite volar en áreas donde haya equipos de salvamento utilizando activamente el espacio aéreo.



ES

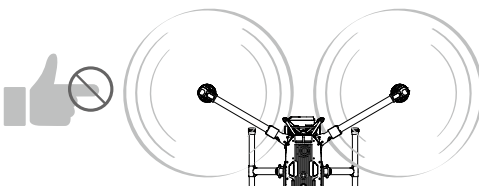


Evite volar sobre o cerca de multitudes, árboles o aeropuertos.

Las fuentes electromagnéticas fuertes, como las líneas de tensión, las estaciones base y los edificios altos pueden afectar la brújula a bordo. En vuelo, manténgase siempre alerta sobre los alrededores.



No utilice la aeronave en clima adverso, incluidas velocidades de viento superiores a 15 m/s o 53.91 km/h, nieve, lluvia o niebla.



Manténgase alejado de las hélices y los motores en rotación.



Más información en:  
<https://fllysafe.dji.com>

## AVISO

Todas las instrucciones y otros documentos suplementarios están sujetos a cambios a criterio exclusivo de SZ DJI TECHNOLOGY CO., LTD ("DJI"). Para obtener información actualizada sobre el producto, visite <http://www.dji.com> y consulte la página del producto.

## Glosario

Los siguientes términos se usan en la presente documentación para indicar diferentes niveles de daños potenciales al utilizar este producto:

**AVISO** Procedimientos que, de no seguirse correctamente, dan lugar a la posibilidad de daños materiales Y a una escasa o nula posibilidad de lesiones.

**PRECAUCIÓN** Procedimientos que, de no seguirse correctamente, pueden causar daños materiales Y lesiones graves.

**ADVERTENCIA** Procedimientos que, de no seguirse correctamente, pueden causar daños materiales, daños colaterales y lesiones graves o crean una alta probabilidad de lesiones graves.



### ADVERTENCIA

**Lea todo el manual de usuario para familiarizarse con las características de este producto antes de su uso. No usar el producto de acuerdo a lo indicado en el manual de usuario puede provocar daños al producto o daños personales, así como causar lesiones graves.**

**Este es un producto sofisticado. Se debe usar con precaución y sentido común y, además, se requiere capacidad mecánica básica. Si al utilizar este producto no lo hace de una forma segura y responsable puede provocar lesiones o daños al producto o a otras propiedades. Este producto no está destinado a niños. NO utilice componentes incompatibles ni altere este producto de ningún modo no autorizado por los documentos correspondientes y facilitados por SZ DJI TECHNOLOGY CO., LTD. Estas directrices de seguridad contienen las instrucciones de seguridad, funcionamiento y mantenimiento. Es importante que lea y siga todas las instrucciones y advertencias que aparecen en el manual de usuario antes del montaje, la configuración o el uso, con el fin de usar el producto con seguridad y evitar daños o lesiones graves.**

EDAD RECOMENDADA: NO DESTINADO A NIÑOS MENORES DE 18 AÑOS. ESTE PRODUCTO NO ES UN JUGUETE.

## Lista de comprobación previa al vuelo

1. Asegúrese de utilizar solamente piezas originales y de que todas las piezas estén en perfecto estado.
2. Asegúrese de que el control remoto, el dispositivo móvil y la Batería de Vuelo Inteligente están completamente cargados.
3. Asegúrese de que no haya ningún objeto extraño adherido al objetivo de la cámara, que la tarjeta microSD se haya introducido en la cámara del estabilizador y de que el estabilizador pueda girar libremente antes del encendido.
4. Asegúrese de que las hélices y los tornillos de fijación estén instalados firmemente en los motores y de que los motores puedan iniciarse y funcionar con normalidad.
5. Siga las instrucciones en pantalla para calibrar la brújula.
6. Asegúrese de que la aplicación DJI Pilot y el firmware de la aeronave estén actualizados a la versión más reciente.
7. Asegúrese de que su área de vuelo esté fuera de cualquier zona GEO y de que las condiciones de vuelo sean adecuadas para hacer volar la aeronave.
8. Asegúrese de NO iniciar el vuelo bajo la influencia del alcohol, las drogas o cualquier sustancia que pueda afectar a sus capacidades cognitivas.
9. Familiarícese con el modo de vuelo seleccionado y conozca todas las funciones y advertencias de seguridad.
10. Asegúrese de cumplir con todas las regulaciones locales, obtener las autorizaciones adecuadas y comprender los riesgos. **RECUERDE:** Es su responsabilidad exclusiva cumplir todas las normativas aplicables.
11. MANTENGA UNA LÍNEA DE VISIÓN DIRECTA (CON SUS OJOS) DE LA AERONAVE EN TODO MOMENTO. NO confíe únicamente en la cámara de visión en primera persona para controlar su aeronave.
12. Asegúrese de que la aplicación DJI Pilot se inicia correctamente para ayudarle cuando opere la aeronave. Sin los datos de vuelo registrados por la aplicación DJI Pilot, en determinadas situaciones (incluida la pérdida de su aeronave) DJI puede no ser capaz de proporcionarle el servicio posventa o asumir la responsabilidad.
13. Cuando vuele con instrumentos, pruebe siempre el rendimiento de vuelo estacionario de la aeronave. Asegúrese de que el peso total

de despegue no exceda la especificación normal. Haga despegar la aeronave sin ninguna vibración mecánica fuerte de esta, ninguna interferencia electromagnética ni ninguna obstrucción del sistema de visión o los sensores infrarrojos.

14. Asegúrese de que el sistema de visión, los sensores infrarrojos, las cámaras FPV y la lente de las lentes auxiliares estén limpios y libres de manchas o huellas dactilares, y que no estén obstruidos por ningún componente (por ejemplo, la carga acoplada).
15. Asegúrese de que los brazos del bastidor estén completamente desplegados y de que los brazos del bastidor y los trenes de aterrizaje estén firmemente bloqueados.
16. Asegúrese de que el tapón de goma esté firmemente insertado cuando no se usen los puertos de la aeronave y el control remoto.
17. Asegúrese de que todos los ventiladores de enfriamiento de la aeronave estén libres de objetos extraños y de que la entrada y la salida de aire no estén obstruidas. Asimismo, asegúrese de que los ventiladores funcionen sin un ruido anormal.

## Renuncia de responsabilidad y advertencia

Este producto NO es un juguete y no es adecuado para menores de 18 años. Los adultos deben mantener la aeronave fuera del alcance de los niños y actuar con precaución al utilizarlo en presencia de niños.

Pese a que el producto adopta una tecnología avanzada, un uso inapropiado del producto podría provocar lesiones personales o daños materiales. Lea la documentación asociada al producto antes de usarlo por primera vez. Encontrará dicha documentación en el embalaje y también online, en la página del producto de DJI en <http://www.dji.com>.

La información incluida en este documento afecta a su seguridad, y a sus derechos y responsabilidades legales. Lea este documento en su totalidad para garantizar una configuración adecuada antes de su uso. Si no lea y respeta las instrucciones y advertencias de este documento, puede provocar la pérdida del producto, lesiones graves a sí mismo o daños en la aeronave.

Al usar este producto, por la presente confirma que ha leído esta renuncia de responsabilidad detenidamente y que entiende y da su visto bueno a los términos y condiciones presentes. **Salvo indicación expresa al contrario en las Políticas de Servicio Posventa Disponibles en (<http://www.dji.com/service/policy>), el producto, incluidos los materiales y contenidos disponibles a través del producto, se suministra tal como es y como está disponible, pero sin garantías ni condiciones de ningún tipo, expresas o implícitas. A excepción de lo que se indique expresamente en las Políticas de Servicio Posventa de DJI, DJI rechaza expresamente todas las garantías, expresas o implícitas, en relación con el producto, los accesorios del producto y todos los materiales, incluidas: (A) toda garantía implícita de comerciabilidad, idoneidad para una finalidad determinada, título, disfrute tranquilo o información, y (B) cualquier garantía que pudiera surgir de un acuerdo, uso o práctica comercial. DJI no garantiza, excepto como se indique expresamente en la garantía limitada de DJI, que el producto, los accesorios del producto o cualquier parte del producto, o cualquier material, sean seguros y estén libres de interrupciones, errores, virus u otros componentes dañinos, y tampoco garantiza la corrección de ninguno de estos problemas.**

**NINGÚN TIPO DE ASESORAMIENTO O INFORMACIÓN, EN FORMA ORAL O POR ESCRITO, QUE USTED PUDIERA OBTENER A TRAVÉS DEL PRODUCTO, LOS ACCESORIOS DEL PRODUCTO U OTROS MATERIALES SUPONDRÁN OTRAS GARANTÍAS RESPECTO DE DJI O DEL PRODUCTO QUE LAS EXPRESAMENTE ESTIPULADAS EN LAS PRESENTES CONDICIONES. EL USUARIO ASUME INTEGRALMENTE EL RIESGO RELACIONADO CON LOS DAÑOS DERIVADOS DEL USO DEL PRODUCTO, ACCESORIOS O MATERIALES, O DEL ACCESO A ESTOS. EL USUARIO RECONOCE Y ACEPTA QUE UTILIZA EL PRODUCTO POR SU PROPIA CUENTA Y RIESGO, Y QUE ES EL ÚNICO RESPONSABLE DE CUALQUIER LESIÓN PERSONAL, MUERTE, DAÑOS A SU PROPIEDAD (INCLUIDO SU SISTEMA INFORMÁTICO, DISPOSITIVO MÓVIL O HARDWARE DJI EMPLEADO CON EL PRODUCTO) O A LA AJENA, Y DE LA PÉRDIDA DE DATOS OCASIONADA POR EL USO O INCAPACIDAD PARA EL USO DEL PRODUCTO.**

EN JURISDICIONES EN QUE SE PROHÍBAN LAS CLÁUSULAS DE EXENCIÓN DE GARANTÍAS, EL USUARIO PODRÍA DISFRUTAR DE OTROS DERECHOS ESPECÍFICOS DE CADA JURISDICIÓN.

DJI no acepta responsabilidad alguna por daños o lesiones, ni ningún tipo de responsabilidad legal derivada directa o indirectamente del uso de este producto. El usuario deberá respetar las prácticas seguras y legales incluidas, entre otras, las establecidas en estas directrices de seguridad.

## Almacenamiento y uso de datos

Cuando utilice nuestra aplicación móvil o nuestros productos u otro software, es posible que suministre a DJI datos referentes al uso y funcionamiento del producto, como los datos de telemetría de vuelo (p. ej., velocidad, altitud, vida de la batería e información sobre el estabilizador y la cámara) y el registro de operaciones. El dispositivo de almacenamiento interno incorporado en el producto almacena varios tipos de datos, como los datos de telemetría de vuelo. También puede proporcionarnos datos de telemetría de vuelo y otros datos cuando nos transmite manualmente esa información desde el dispositivo de almacenamiento interno.

Consulte la Política de privacidad de DJI (disponible en <http://dji.com/policy>) para obtener más información.

## Antes de comenzar

Este producto es una aeronave que permite volar con facilidad si se encuentra en buenas condiciones de funcionamiento, tal y como se establece a continuación. Visite <http://www.dji.com> para obtener las instrucciones y advertencias más actualizadas y <http://knowbeforeyoufly.org/> para obtener más información sobre seguridad de vuelo y conformidad.

Los siguientes documentos se han elaborado para ayudarle a operar la aeronave con seguridad y sacarle el máximo partido:

Contenido del embalaje  
Renuncia de responsabilidad y directrices de seguridad  
Directrices de seguridad de la Batería de Vuelo Inteligente  
Guía de inicio rápido  
Manual de usuario

Compruebe todas las piezas incluidas que se mencionan en el documento Contenido del embalaje y lea la Renuncia de responsabilidad y directrices de seguridad antes del vuelo. A continuación, prepárese para su primer vuelo utilizando la Guía de inicio rápido y viendo todos los videos tutoriales en el sitio web oficial de DJI (<http://www.dji.com>). Si tiene preguntas, consulte el Manual de usuario en la aplicación o en el sitio web oficial de DJI para obtener una información más completa. Asegúrese de comprender en su totalidad las funciones de cada pieza individual, los requisitos de condiciones de vuelo, las funciones o sistemas clave de advertencia por imprevistos y todas las normativas de las autoridades antes de cada vuelo. Si tiene alguna pregunta o problema durante el montaje, mantenimiento o uso de este producto, póngase en contacto con DJI o con un distribuidor autorizado de DJI.

## Piezas individuales

### Acercar de las piezas originales y funcionales

#### ADVERTENCIA

Para evitar el funcionamiento incorrecto de los componentes, lesiones graves y daños materiales, respete las siguientes reglas:

1. Utilice únicamente piezas originales de DJI o piezas certificadas por DJI. Las piezas no autorizadas o piezas de fabricantes no certificadas por DJI pueden producir averías en el sistema y poner en peligro la seguridad.
2. Asegúrese de que no haya objetos extraños (como agua, aceite, tierra, arena, etc.) dentro de la aeronave o sus componentes.
3. Asegúrese de que la aeronave y sus componentes (incluidos, entre otros, el control remoto, la cámara, el estabilizador, la brújula, el sistema de propulsión y la batería), estén en buen estado de funcionamiento, libres de daños y funcionen bien. Consulte las secciones restantes de este documento para obtener más detalles sobre cómo garantizar la funcionalidad de estos componentes.
4. NO modifique ni altere la aeronave, sus componentes ni sus piezas. La modificación no autorizada puede causar un mal funcionamiento y afectar a la funcionalidad y seguridad de la aeronave.
5. Asegúrese de que todos los ventiladores de enfriamiento de la aeronave estén libres de objetos extraños y de que la entrada y la salida de aire no estén obstruidas.
6. Todos los accesorios que se usarán junto con el M300 RTK, incluidos, entre otros, estabilizadores y un radar CSM, solo deben usarse con la aeronave. Los usuarios asumen toda la responsabilidad por los daños causados por los accesorios que se han utilizado con otros productos no oficiales.
7. NO use un cable que no sea DJI para conectar los puertos de la aeronave, puesto que puede causar un mal funcionamiento del sistema y comprometer la seguridad.

### Sistema de transmisión de vídeo

#### AVISO

1. Habilite el modo "Custom" (Personalizado) solamente con el asesoramiento de profesionales. De lo contrario, la señal de transmisión de vídeo puede retrasarse o incluso perderse debido a las interferencias.

### Control remoto

#### AVISO

1. Cargue completamente el Smart Controller antes de cada vuelo.
2. Si el Smart Controller está encendido y la pantalla táctil está apagada durante cinco minutos, se avisará con una alerta sonora. Diez segundos después de la alerta sonora, el Smart Controller se apagará automáticamente. Mueva las palancas o realice alguna otra acción para cancelar la alerta.
3. Asegúrese de que las antenas estén desplegadas y ajustadas en la posición adecuada para conseguir una calidad de transmisión óptima.
4. Contacte con DJI Support para reparar o reemplazar las antenas en caso de que estén dañadas. Las antenas dañadas disminuirán considerablemente el rendimiento.
5. Si cambia de aeronave, vuelva a vincularla con el Smart Controller.
6. Asegúrese de apagar la aeronave antes que el Smart Controller.
7. Cargue completamente el Smart Controller cada tres meses.
8. Cargue de inmediato el Smart Controller cuando su nivel de carga disminuya al 10 % para evitar que el dispositivo se dañe debido a un período prolongado de exceso de descarga. Descargue el Smart Controller hasta un nivel de carga de entre el 40 y el 60 % si lo va a almacenar durante un período prolongado.
9. NO cubra la salida de aire del Smart Controller. De lo contrario, el Smart Controller podría calentarse demasiado, lo que podría afectar a su rendimiento.
10. NO desmonte el Smart Controller sin la asistencia de un distribuidor autorizado de DJI. Contacte siempre con DJI o un distribuidor autorizado de DJI para reemplazar los componentes del Smart Controller.
11. NO bloquee el GPS incorporado. Si tiene instalada el soporte de montaje de pantalla DJI Smart Controller Enterprise (en adelante denominado "soporte de montaje"), retírelo y vuelva a intentarlo nuevamente si la señal GPS es deficiente.
12. Para evitar el desgaste de las tapas de las palancas, NO desmonte las palancas con frecuencia.

### Brújula

#### PRECAUCIÓN

Para evitar posibles lesiones graves y daños materiales, respete las reglas siguientes:

1. Aterrice inmediatamente cuando se produzca un desvío obvio en vuelo.
2. NO vuele en un entorno con fuertes interferencias electromagnéticas o en espacios con muchas obstrucciones.
3. Si la aplicación DJI Pilot solicita la calibración de la brújula antes del despegue, despegue después de la calibración en un entorno sin interferencias electromagnéticas.

#### AVISO

Calibre la brújula solamente cuando se lo solicite la aplicación DJI Pilot o el indicador de estado. Observe las reglas siguientes al calibrar su brújula:

1. NO calibre su brújula si hay interferencias magnéticas fuertes, como interferencias por magnetita, estructuras de aparcamientos y refuerzos de acero subterráneos.
2. NO lleve consigo materiales ferromagnéticos, como teléfonos móviles, durante la calibración.
3. La aplicación DJI Pilot le solicitará que resuelva el problema con la brújula si esta se ve afectada por fuertes interferencias una vez completada la calibración. Siga las instrucciones para resolver el problema de la brújula.

### Sistemas de propulsión

#### ADVERTENCIA

Para evitar la posibilidad de que los motores y las hélices en movimiento puedan provocar lesiones graves al usuario o a otras personas, respete las siguientes reglas:

#### Hélices

1. NO utilice hélices desgastadas, astilladas ni rotas.
2. Apague siempre la aeronave antes de tocar las hélices.
3. Tenga cuidado con los bordes afilados de las hélices al montar o retirar las hélices. Use guantes o tome otras medidas de protección al tocar las hélices.
4. Siempre que sea necesario, use herramientas (por ejemplo, llave plana, destornillador, alicates, etc.) para retirar o instalar las hélices.
5. Asegúrese de que las hélices y los tornillos de montaje estén montados de forma segura para evitar que se caigan de los motores.
6. NO encienda los motores cuando las hélices estén montadas, y haya otras personas o animales en las inmediaciones.



- El uso de hélices de otra marca puede comprometer la aerodinámica de la aeronave. Para tener una experiencia de vuelo mejor y más segura, le recomendamos que utilice SOLAMENTE hélices DJI originales.
- Limpie las hélices para que se sequen antes de cada vuelo en un lugar donde la temperatura circundante sea de alrededor de 0 °C (32 °F), a fin de evitar que las hélices se hielan.

#### Motores

- Compruebe que los motores estén instalados correctamente y que giren correctamente.
- Asegúrese de que la instalación sea adecuada y el motor funcione normalmente antes de cada vuelo. Si los orificios de ventilación de los motores están bloqueados, límpielos antes del vuelo. Si la cubierta está envejecida, dañada o deformada, contacte con DJI o con un distribuidor autorizado de DJI.
- NO intente modificar la estructura de los motores.
- NO toque los motores ni deje que las manos o el cuerpo entren en contacto con ellos tras el vuelo, ya que pueden estar calientes.

#### Reguladores electrónicos de velocidad

- Si es necesario, antes de cada vuelo siga las instrucciones de la aplicación para corregir las anomalías de los reguladores electrónicos de velocidad.
- Haga aterrizar la aeronave si la aplicación DJI Pilot le indica que hay algún problema con los reguladores electrónicos de velocidad (p. ej., exceso de temperatura, bajo voltaje o exceso de carga).

#### PRECAUCIÓN

Para evitar posibles lesiones graves y daños materiales, respete las reglas siguientes:

- NO bloquee ninguno de los orificios de ventilación de los motores.
- NO bloquee ninguno de los orificios de ventilación del brazo del bastidor de la aeronave.

#### AVISO

#### Motores

- Para no perjudicar la vida útil del motor, no haga despegar ni aterrizar la aeronave en áreas arenosas o polvorrientas.
- Mantenga los motores libres de polvo y asegúrese de que los orificios de ventilación del motor no estén bloqueados.
- Si un motor está bloqueado y no puede girar libremente, ejecute el comando de palancas combinado (Combination Stick Command, CSC) para detener los motores inmediatamente.

#### Reguladores electrónicos de velocidad

Asegúrese de que los reguladores electrónicos de velocidad emitan un sonido normal cuando se enciendan.

#### Aplicación DJI Pilot

#### AVISO

- Asegúrese de cargar completamente su tableta o dispositivo móvil (si se usa) antes de iniciar la aplicación.
- Si está utilizando un teléfono como dispositivo de visualización móvil, asegúrese de continuar volando de manera segura cuando el teléfono reciba una llamada entrante. NO conteste a llamadas telefónicas durante el vuelo.
- El uso de la aplicación DJI Pilot requiere de una conexión de datos móviles. Póngase en contacto con su operador de móvil para consultar el coste del consumo de datos.
- Lea con atención todos los consejos de seguridad, mensajes de advertencia y renunciencias de responsabilidad que aparezcan. Familiarícese con las normativas relacionadas aplicables en su zona. Usted es el único responsable de conocer todas las normas pertinentes y de volar de un modo que se ajuste a ellas.
  - Lea y comprenda los mensajes de advertencia antes de restablecer su punto de origen.
  - Lea y comprenda los mensajes de advertencia y la renunciencia de responsabilidad antes de ajustar la altitud más allá del límite legal.
  - Lea y comprenda los mensajes de advertencia y la renunciencia de responsabilidad antes de cambiar entre los modos de vuelo.
- Haga aterrizar la aeronave inmediatamente en una ubicación segura si aparece una alerta en la aplicación.
- Examine y compruebe todos los mensajes de advertencia en la lista de comprobación que aparece en la aplicación antes de cada vuelo.
- Use DJI ASSISTANT™ 2 para practicar sus habilidades de vuelo si nunca ha utilizado la aeronave o si NO tiene suficiente experiencia para utilizar la aeronave con seguridad.
- Guarde en caché los datos cartográficos del área en la que va a hacer volar la aeronave conectándose a Internet antes de cada vuelo.

- La aplicación está diseñada para ayudarle durante el vuelo. Utilice su discreción y NO confíe en la aplicación para controlar su aeronave.
- El uso que haga de la aplicación está regido por las condiciones de uso de la aplicación DJI Pilot y la política de privacidad de DJI. Léalos detenidamente en la aplicación.

#### Firmware

#### ⚠️ ADVERTENCIA

Para evitar lesiones graves a niños y animales, respete la siguiente regla:

- Mantenga a las personas y los animales a una distancia segura durante cualquier actualización de firmware, calibración del sistema y procedimientos de configuración de parámetros.

#### AVISO

- Para una mayor seguridad, actualice siempre el firmware a la versión más reciente cuando aparezca en la aplicación DJI Pilot una notificación de actualización.
- Las notificaciones de actualización de firmware le informarán sobre las nuevas actualizaciones disponibles. Debe leer y comprender la información que se muestra.
- Asegúrese de actualizar a la última versión del firmware del control remoto después de actualizar el firmware de la aeronave.
- El control remoto puede desvincularse de la aeronave después de la actualización.
- Asegúrese de comprobar todas las conexiones y retire las hélices de los motores antes de realizar la actualización del firmware.

#### SDK

#### AVISO

- Antes de usar los SDK de DJI, debe aceptar los Términos de uso de los SDK de DJI y la Política de privacidad de DJI. Estos Términos de uso y esta Política de privacidad limitan algunas de las responsabilidades legales de DJI; léalos detenidamente en <https://developer.dji.com/policies/>.

#### Cámara (Opcional)

#### ⚠️ ADVERTENCIA

Para evitar posibles lesiones graves y daños materiales, respete la siguiente regla:

- NO bloquee los orificios de ventilación de la cámara, ya que el calor que genera puede causarle daños a usted y al dispositivo.

#### AVISO

- Antes de usar, verifique la configuración de la cámara para asegurarse de que se ajuste a sus necesidades.
- Pruebe la cámara tomando algunas imágenes de prueba y verifique que esté funcionando correctamente antes de tomar imágenes o grabar videos importantes.
- NO extraiga la tarjeta microSD de la cámara del estabilizador mientras está encendida. Use tarjetas microSD recomendadas oficialmente.
- Asegúrese de apagar la Batería de Vuelo Inteligente correctamente; de lo contrario, los parámetros de la cámara NO se guardarán y los videos grabados pueden resultar dañados.
- Con independencia del motivo, DJI no será responsable de ningún fallo por el que una imagen o video se grabe de forma que no se pueda leer en un dispositivo.

#### Estabilizador (Opcional)

#### AVISO

- Las piezas del estabilizador pueden resultar dañadas tras una colisión o impacto, lo que puede provocar que este funcione de forma incorrecta.
- NO aplique fuerza externa sobre el estabilizador una vez que esté encendido.
- NO añada ninguna carga al estabilizador, ya que podría provocar que este no funcionase con normalidad o incluso dañar el motor.
- El estabilizador y el conector del estabilizador son muy delicados. Manipúelos con cuidado y NO toque el conector del estabilizador, ya que cualquier daño que se produzca causará que el estabilizador funcione anormalmente.
- Sostenga el estabilizador firmemente cuando lo separe o lo vuelva a colocar, para que no se caiga.
- NO conecte ni retire el estabilizador con la aeronave encendida.
- Cuando utilice un sistema de estabilizador múltiple, asegúrese de respetar estrictamente las instrucciones del manual de usuario y montar correctamente las cámaras del estabilizador compatibles.

## Cuidado del producto

### Almacenamiento y transporte

#### **ADVERTENCIA**

Para evitar lesiones graves a niños y animales, respete la siguiente regla:

1. Las piezas pequeñas, como cables y correas, son peligrosas si se ingieren. Mantenga todas las piezas fuera del alcance de niños y animales.

#### **AVISO**

1. Cargue y descargue completamente la batería periódicamente para conservarla en buen estado. Consulte las Directrices de seguridad de la Batería de Vuelo Inteligente para obtener más información sobre el uso seguro de la batería.
2. NO permita que la cámara entre en contacto o se sumerja en agua u otros líquidos. Si se moja, séquela con un paño suave y absorbente. Encender una aeronave que ha caído en el agua puede causar daños permanentes a sus componentes. NO utilice sustancias como alcohol, benceno, diluyente ni otras sustancias inflamables para limpiar o mantener la cámara. NO almacene la cámara en áreas húmedas o polvorientas.
3. Separe el estabilizador de la aeronave cuando la guardará durante un largo periodo de tiempo o la transporte a largas distancias.
4. NO conecte este producto a ninguna interfaz USB que sea anterior a la versión 2.0. NO conecte este producto a ningún "puerto USB con alimentación" o dispositivo similar.
5. Los brazos del bastidor y las hélices deben pegarse a la posición original durante el transporte o la antena se dañará. Coloque la aeronave en el suelo suavemente para evitar daños a la IMU y otros componentes.

### Mantenimiento y cuidado

#### **AVISO**

1. Póngase en contacto con los centros de servicio recomendados por DJI para la inspección o reparación del producto después de un choque o impacto violento. Operar aeronaves dañadas es muy peligroso y puede causar lesiones corporales o daños a la propiedad.
2. Cargue y descargue completamente la batería periódicamente para conservarla en buen estado. Consulte las Directrices de seguridad de la Batería de Vuelo Inteligente para obtener más información sobre el uso seguro de la batería.
3. Se recomienda programar periódicamente una operación de mantenimiento para garantizar la seguridad y fiabilidad en vuelo. Consulte las Directrices de seguridad de la Batería de Vuelo Inteligente para obtener más información.
4. Compruebe regularmente los indicadores del nivel de la batería para ver el nivel de batería actual y la vida de la batería en general. La batería tiene una vida útil de 200 ciclos. Una vez sobrepasada esa cifra, no se recomienda utilizarla. Consulte las Directrices de seguridad de la Batería de Vuelo Inteligente para obtener más información sobre el uso seguro y el mantenimiento de la batería.
5. Consulte el manual de mantenimiento para obtener información sobre cómo inspeccionar y mantener el producto después de utilizarlo durante un largo periodo; de este modo, se conserva el producto en el mejor estado posible y se reduce cualquier riesgo para la seguridad. Aunque el mantenimiento se debe realizar con una periodicidad que depende de la frecuencia de uso del producto, como mínimo deberá efectuarse cada seis meses. Además, es posible enviar el producto a DJI para su mantenimiento. Visite <https://enterprise.dji.com/enterprise-maintenance> para obtener más información.
6. Las piezas del M300 RTK tienen una vida útil determinada. A partir del primer uso, las piezas sujetas a desgaste, como las hélices y el amortiguador del estabilizador, tienen una vida útil de 300 horas, mientras que los componentes del sistema de propulsión tienen una vida útil de 900 horas. Si el producto se utiliza tras haberse agotado la vida útil de cualquiera de sus piezas o componentes, es posible que ello comporte riesgos para la seguridad. DJI no asume responsabilidad alguna por cualquier riesgo que pudiera surgir en relación con el uso continuado del producto.

## Requisitos de condiciones de vuelo

### Condiciones meteorológicas y entorno

#### **ADVERTENCIA**

La aeronave se ha diseñado para funcionar en condiciones meteorológicas buenas o moderadas. Para evitar colisiones, lesiones graves y daños materiales, respete las siguientes reglas:

1. NO utilice la aeronave en condiciones climáticas adversas. Entre ellas se incluyen vientos fuertes superiores a 15 m/s, nieve, lluvia intensa, niebla, granizo, rayos, tornados o huracanes.
2. Durante el vuelo, mantenga la aeronave a una distancia mínima

de 10 metros (30 pies) de los obstáculos, personas, animales, edificios, infraestructuras públicas, árboles y masas de agua. Manténgase aún más lejos de los objetos anteriores a medida que aumente su altitud.

3. Tenga **TODAVÍA MÁS cuidado al operar la aeronave en interiores.** Algunas características de la aeronave, especialmente la característica de estabilización, pueden verse afectadas.
4. Asegúrese de activar el sistema de visión cuando vuele en interiores. Tenga en cuenta que es posible que el sistema de visión NO funcione correctamente cuando vuele sobre el agua, sobre superficies sin un patrón claro o en un entorno escasamente iluminado.

#### **AVISO**

1. El rendimiento de la aeronave y de la batería depende de factores medioambientales, como la densidad del aire y la temperatura.
  - a. NO opere la aeronave cuando la temperatura esté fuera del rango de -20 a 50 °C (-4 a 122 °F).
2. NO utilice la aeronave cerca de lugares donde se hayan producido accidentes, incendios, explosiones, inundaciones, tsunamis, avalanchas, desprendimientos, terremotos, polvo o arena.

### Interferencia con las comunicaciones

#### **AVISO**

1. Compruebe si alguna parte de la aeronave ha sufrido un impacto o un accidente. Póngase en contacto con DJI Support o con los distribuidores autorizados cuando sea necesario.
2. Vuele en espacios abiertos. Los edificios altos y las estructuras de acero pueden afectar a la precisión de la brújula de a bordo y bloquear la señal GPS.
3. Evite las interferencias entre el control remoto y otros equipos inalámbricos. Asegúrese de apagar la conexión Wi-Fi de su dispositivo móvil.
4. Esté extremadamente alerta cuando vuele cerca de áreas con interferencias magnéticas o de radio. Estas incluyen, aunque NO están limitadas a: líneas de alta tensión eléctrica, estaciones de transmisión eléctrica a gran escala o estaciones base móviles y torres de radiodifusión. Si lo hace, podría afectar a la calidad de transmisión de este producto o provocar errores del control remoto o transmisión de video que puedan afectar a la orientación del vuelo y a la precisión de la ubicación. La aeronave puede dejar de funcionar con normalidad o descontrolarse en áreas con demasiadas interferencias.

### Uso responsable de la aeronave

#### **ADVERTENCIA**

Para evitar lesiones graves y daños materiales, respete las siguientes reglas:

1. Asegúrese de NO estar bebido o haber consumido drogas, estar bajo los efectos de la anestesia ni padecer mareos, fatiga, náuseas o cualquier otra condición, ya sea física o mental, que pueda afectar a su capacidad de utilizar la aeronave con seguridad.
2. Al aterrizar, primero apague la aeronave y luego apague el control remoto.
3. NO deje caer, lance, incendie ni proyecte de ningún otro modo cargas peligrosas sobre o hacia ningún edificio, persona o animal, ni cargas que puedan provocar lesiones personales o daños materiales.
4. NO utilice una aeronave que se haya estrellado, que haya recibido un impacto accidentalmente o que no esté en buenas condiciones.

#### **AVISO**

1. Asegúrese de haber recibido la formación suficiente y de estar totalmente enterado de cualquier plan de emergencia existente antes de que ocurra cualquier accidente.
2. Asegúrese de disponer de un plan de vuelo y de no hacer volar nunca la aeronave de una forma imprudente.
3. Respete la privacidad de los demás cuando use la cámara. Asegúrese de cumplir con las leyes, las regulaciones y los principios morales locales en materia de privacidad.
4. NO use este producto por ningún motivo que no corresponda a un uso personal general. NO utilice este producto para fines legales o inadecuados, (como, por ejemplo, espionaje, operaciones militares o investigaciones no autorizadas).
5. NO utilice este producto para difamar, insultar, acosar, ofender, amenazar o violar de cualquier otro modo los derechos legales (como el derecho a la privacidad y la publicidad) de otras personas.
6. NO invada la propiedad privada ajena.

## Modos de vuelo, funciones y advertencias

### Modos de vuelo

## ⚠️ ADVERTENCIA

NO cambie del modo P al modo S o al modo T a menos que esté suficientemente familiarizado con el comportamiento de la aeronave en cada modo de vuelo. Debe activar la configuración "Multiple Flight Modes" (Modos de vuelo múltiples) en la aplicación antes de poder cambiar del modo P a otros modos.

La aeronave entrará automáticamente en el modo Atti cuando se cumplan las dos condiciones siguientes: (1) el sistema de visión no está disponible y (2) la señal GPS es débil o la brújula sufre interferencias.

En el modo Atti, el sistema de visión y algunas funciones avanzadas están desactivados. Por tanto, la aeronave no puede posicionarse ni frenar automáticamente en este modo y puede verse fácilmente afectada por su entorno, lo que puede provocar una deriva horizontal. Use el control remoto para posicionar la aeronave.

Maniobrar con la aeronave en modo Atti puede resultar difícil. Antes de cambiar la aeronave a modo Atti, asegúrese de volar con comodidad en este modo. NO vuele con la aeronave demasiado lejos, ya que podría perder el control y provocar una posible situación de peligro.

Evite volar en áreas donde la señal GPS sea débil o en espacios cerrados o reducidos. De lo contrario, la aeronave se verá obligada a entrar en modo Atti, lo que provocará posibles riesgos durante el vuelo. Aterrice en un lugar seguro lo antes posible.

## ⚠️ AVISO

El modo P es preferible en la mayoría de los escenarios de vuelo. Cuando vuele en otros modos, tome precauciones ADICIONALES porque algunas funciones NO estarán disponibles. Cuando vuele en modo Atti, tome precauciones ADICIONALES porque algunas funciones NO están disponibles en dicho modo. Cuando vuele en interiores, la aeronave no puede realizar un vuelo estacionario de precisión si vuela sobre superficies que no muestran un patrón claro. Consulte la sección "Sistema de visión y sistema de detección por infrarrojos" para conocer los criterios completos de vuelo en interiores.

1. Modo P (posicionamiento): El Modo P funciona mejor con una señal GPS intensa. La aeronave utiliza el GPS y el Sistema de visión para estabilizarse automáticamente.
2. Modo S (sport): El modo S es idéntico al modo P en términos de la configuración del controlador de vuelo, con la excepción de que los valores de ganancia de manipulación de la aeronave se ajustan para mejorar la maniobrabilidad de la aeronave. La velocidad máxima de vuelo de la aeronave aumenta en este modo.
3. Modo T (trípode): El modo T se basa en el modo P, pero con una velocidad de vuelo limitada, lo que hace que el movimiento de la aeronave sea más fácil de controlar.

## Regreso al punto de origen

### ⚠️ AVISO

1. La función de regreso al punto de origen puede verse afectada por la meteorología, el entorno o cualquier campo magnético cercano.
2. Asegúrese de operar la aeronave dentro del alcance de transmisión del control remoto.
3. Presione el botón RPO (regreso al punto de origen) en el control remoto para iniciar el proceso de regreso al punto de origen en lugar de apagar el control remoto. Entonces, la aeronave volará al último punto de origen registrado.
4. Durante el vuelo, si la aeronave vuela sobre superficies extremadamente oscuras (<15 lux) o brillantes (>10 000 lux), no podrá evitar obstáculos. NO confíe en el sistema de visión y esté siempre alerta cuando controle la aeronave. Controle la aeronave usted mismo si es necesario o presione el botón RPO para evitar que la aeronave regrese al punto de origen.
5. Los edificios altos pueden afectar negativamente a la función de seguridad. Por lo tanto, es importante definir una altitud de seguridad apropiada antes de cada vuelo. Ajuste la altitud de la aeronave mientras regresa a casa.
6. La función de regreso al punto de origen NO funcionará si la señal GPS no es lo suficiente fuerte (señal GPS inferior a tres barras) o si el GPS no está activo.
7. Cuando se pierde la señal del control remoto y la señal GPS es débil, si la aeronave no puede detectar el punto de origen volará en estacionario durante 8 segundos y luego aterrizará automáticamente si está en modo "P".
8. Si la vida de la batería lo permite, la aeronave puede regresar primero a la última posición donde tuvo conexión con el control remoto durante el RPO de seguridad. Como resultado, puede observar que la aeronave primero se aleja volando de usted y luego regresa al punto de origen.

## Batería baja

### ⚠️ AVISO

1. Cuando se activa la advertencia de nivel de batería muy baja y la aeronave está descendiendo de forma automática, puede pulsar

el acelerador hacia arriba para mantener la altitud de la aeronave y conducirla a un lugar más apropiado para el aterrizaje.

2. Cuando se activen las advertencias de la batería, traiga la aeronave inmediatamente al punto de origen o hágala aterrizar para evitar que pierda carga durante el vuelo y provoque daños en la aeronave, los materiales, los animales y las personas.

## D-RTK 2

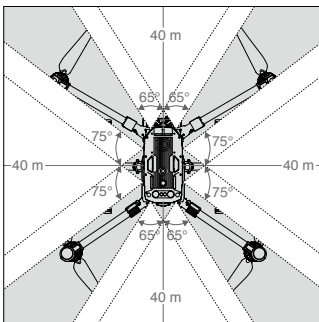
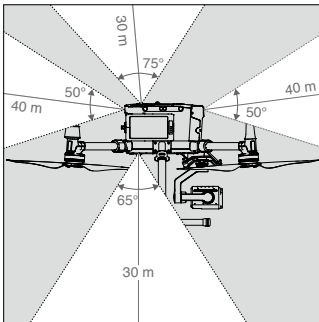
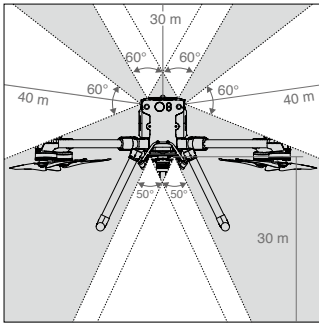
### ⚠️ AVISO

1. Utilice únicamente piezas originales de DJI o piezas certificadas por DJI. Las piezas no autorizadas o piezas de fabricantes no certificados por DJI pueden causar un mal funcionamiento del sistema y comprometer la seguridad.
2. Utilice el sistema únicamente en espacios abiertos y sin interferencias de radio.
3. NO obstruya ninguna de las antenas D-RTK 2.

## Sistema de visión y sistema de detección por infrarrojos

### ⚠️ AVISO

1. El sistema de visión funcionará correctamente a una altura de hasta 30 metros sobre superficies que muestran variaciones claras en sus patrones. El sistema de visión no puede funcionar cuando la aeronave vuela rápido a altitudes inferiores a 0,5 metros.
2. Es posible que el posicionamiento visual NO funcione correctamente cuando la aeronave vuela sobre el agua. NO confíe demasiado en el sistema de visión y opere la aeronave con precaución.
3. El sistema de visión podría NO funcionar correctamente en alguna de las siguientes situaciones:
  - a. Al volar sobre superficies monocromas (p. ej., negro puro, blanco puro, rojo puro o verde puro) o sin una textura clara.
  - b. Al volar sobre superficies muy reflectantes.
  - c. Al volar sobre el agua o superficies transparentes.
  - d. Volar sobre superficies u objetos en movimiento (p. ej., sobre personas en movimiento, juncos ondulantes, matorrales y hierba).
  - e. Se está volando en un área donde la iluminación cambia con frecuencia o drásticamente, o en un área donde se expone a una iluminación directa fuerte.
  - f. Al volar sobre superficies extremadamente oscuras (<15 lux) o brillantes (>10 000 lux).
  - g. Al volar a altas velocidades (por encima de 14 m/s a 2 metros o por encima de 5 m/s a 1 metro).
  - h. Pequeños obstáculos.
  - i. El objetivo está sucio (por ejemplo, tiene gotas de lluvia, huellas dactilares, etc.).
  - j. Escenas con baja visibilidad (por ejemplo, una densa niebla).
4. El sistema de visión infrarroja podría NO proporcionar una distancia precisa en alguna de las siguientes situaciones:
  - a. Volar sobre superficies que pueden absorber ondas sonoras (p. ej., objetos de color negro mate puro).
  - b. Hay una gran área de reflectores fuertes más allá de los 15 m (por ejemplo, se colocan varias señales de tráfico una al lado de otra).
  - c. Pequeños obstáculos
  - d. Espejos u objetos transparentes (como espejos, agua y vidrio).Se requiere la calibración del sistema de visión si la aeronave sufre un accidente. Calibre el sistema de visión si la aplicación DJI Pilot le indica que lo haga.
5. Evite volar en climas lluviosos y con niebla o otros entornos con poca visibilidad (visibilidad por debajo de 100 m).
7. Mantenga los sensores del sistema de visión y del sistema de detección por infrarrojos limpios en todo momento.
  - a. Retire la película superficial, los adhesivos y otras obstrucciones.
  - b. Si hay gotas de agua, huellas dactilares, suciedad, etc., límpielas primero (use un paño limpio, no solventes orgánicos como el alcohol).
  - c. Si el vidrio de la superficie se cae, se rompe, se raya, se desgasta, etc., contacte con el servicio posventa de DJI o con el distribuidor local.
8. NO cuele ni coloque nada en un área que bloquee el sistema de visión, el sistema de detección por infrarrojos ni su rango de observación.
9. NO interfiera con el sistema de visión y el sistema de detección por infrarrojos de ninguna manera (por ejemplo, usando una fuente de luz intensa para iluminar el sistema de sensor o usando reflectores espectrales orientados hacia el sensor por infrarrojos) y asegúrese de que el objetivo del sensor esté limpio y libre de manchas.
10. El sistema de visión y el sistema de detección por infrarrojos no pueden frenar y detener la aeronave a una distancia segura de un obstáculo si el ángulo máximo de inclinación de la aeronave supera los 25 grados o la velocidad excede los 17 m/s.
11. Tenga en cuenta los puntos ciegos (grises) del sistema de visión y el sistema de detección por infrarrojos. El rango de observación del sensor por infrarrojos es de 8 m.



## Cumplimiento de normativas y zonas GEO

### Normativas

#### **ADVERTENCIA**

Para evitar el comportamiento no conforme con la normativa, lesiones graves y daños materiales, respete las siguientes reglas:

- NO utilice la aeronave en las proximidades de aeronaves tripuladas, independientemente de la altitud. Aterrice inmediatamente si es necesario.
- NO vuele con la aeronave en áreas donde se celebran grandes eventos, incluidos eventos deportivos y conciertos, entre otros.
- NO vuele con la aeronave en áreas prohibidas por las leyes locales.
- NO vuele con la aeronave por encima de la altitud autorizada. Permanezca a suficiente distancia y no interfiera en las operaciones de aeronaves tripuladas. Preste atención y evite otras aeronaves y obstáculos en todo momento.

#### **PRECAUCIÓN**

Para evitar lesiones graves y daños materiales, respete las siguientes reglas:

- NO haga volar la aeronave cerca o en el interior de zonas GEO especificadas por las leyes y normativas locales. La lista de zonas GEO incluye aeropuertos, fronteras entre dos países o regiones soberanas, las principales ciudades o regiones, etc., y se actualiza continuamente.
- NO vuele con la aeronave por encima de la altitud autorizada.
- Mantenga SIEMPRE su aeronave en la línea de visión directa y consiga la ayuda de un observador si es necesario.
- NUNCA utilice la aeronave para transportar mercancías o cargas ilegales o peligrosas.

#### **AVISO**

- Asegúrese de entender la naturaleza o tipo de su operación de vuelo (como ocio, de uso público o con fines comerciales) y de haber obtenido la aprobación y autorización correspondientes de las agencias gubernamentales relacionadas antes del vuelo. Consulte a los organismos reguladores locales para obtener definiciones exhaustivas y requisitos específicos. Si opera sus aeronaves en los Estados Unidos, primero visite <http://www.knowbeforeyoufly.org/> y tome las medidas adecuadas en función de sus circunstancias.
- Tenga en cuenta que la realización de actividades comerciales para aeronaves accionadas por control remoto puede estar prohibida en determinados países y regiones. Antes de volar, compruebe y siga todas las leyes y ordenanzas locales aplicables, ya que dichas normas pueden ser distintas a las aquí indicadas.
- NO vuele cerca de infraestructuras o propiedades sensibles, tales como centrales eléctricas, instalaciones de tratamiento de aguas, centros penitenciarios, carreteras con mucho tráfico, instalaciones gubernamentales, zonas militares, etc.
- Respete la privacidad de los demás cuando use la cámara. NO lleve a cabo operaciones de vigilancia, como la toma de imágenes o grabación de vídeo de ninguna persona, entidad, evento, actuación, exhibición y propiedad sin autorización o cuando exista una expectativa de privacidad, incluso si la imagen o el vídeo se captura para uso personal.
- Tenga en cuenta que, en ciertas áreas, la grabación de imágenes y vídeos de eventos, actuaciones, exposiciones o propiedades comerciales por medio de una cámara puede contravenir los derechos de autor u otros derechos legales, aunque la imagen o el vídeo se graben para uso personal.

### Restricciones de vuelo

#### **AVISO**

DJI se toma muy en serio la seguridad durante el vuelo y, por ello, ha desarrollado diversos medios para ayudar a los usuarios a volar de forma más segura. Estas ayudas no garantizan que esté cumpliendo con todas las leyes, regulaciones y restricciones de vuelos temporales aplicables. Usted es el único responsable de su comportamiento cuando vuela una aeronave de DJI.

Se recomienda firmemente actualizar el firmware a la versión más reciente para garantizar que las siguientes funciones están completamente actualizadas:

### Zonas GEO

- Todas las zonas GEO se indican en el sitio web oficial de DJI en <http://www.dji.com/flysafe>. Las zonas GEO se dividen en diferentes categorías e incluyen, entre otras, lugares como aeropuertos, zonas donde se vuela con aeronaves tripuladas a escasa altitud, fronteras internacionales, ubicaciones sensibles como centrales de energía y áreas en las que se realicen eventos importantes.
- Las restricciones de vuelo varían según la zona geográfica. Dependiendo de las restricciones de una zona en particular, puede que aparezcan advertencias en la aplicación DJI Pilot, se prohíba despegar, se limite la altitud de vuelo o la aeronave tome medidas automáticamente (como realizar un aterrizaje automático).
- Las funciones relacionadas con las acciones de vuelo se verán afectadas en cierta medida cuando la aeronave esté en una zona GEO o cerca de ella. Estos efectos incluyen, entre otros: la ralentización de la aeronave, la imposibilidad de crear una tarea de vuelo y la interrupción de una tarea en curso.
- El uso de la aeronave de acuerdo con las restricciones de las zonas GEO no garantiza el cumplimiento de todas las leyes, normativas y restricciones de vuelo temporales aplicables. Consulte a su abogado o a las autoridades locales para garantizar su cumplimiento.

### Límite de altitud

- NO vuele por encima de 120 metros (400 pies) sobre el nivel del suelo y permanezca lejos de los obstáculos circundantes. La altitud de vuelo legal máxima puede ser menor, de conformidad con las leyes y regulaciones locales. Respete estrictamente toda la legislación aplicable.
- Si tiene la intención de volar por encima del límite de altitud predeterminado, debe aceptar la renuncia de responsabilidad que se le presenta para habilitar el nuevo límite de altitud.

# Sécurité – Aperçu

## 1. Considérations environnementales

- Faites toujours voler l'appareil dans des lieux dégagés, à l'écart des bâtiments et de tout autre obstacle.
- NE faites PAS voler l'appareil au-dessus ou à proximité d'une foule.
- Évitez de voler à des altitudes supérieures à 120 m\*.
- Faites voler l'appareil uniquement dans des conditions météorologiques modérées, à des températures comprises entre -20 °C et 50 °C.
- Redoublez de prudence lors de vols en intérieur, car les fonctions de stabilisation de l'appareil peuvent subir des interférences.
- NE faites PAS voler l'appareil lorsque la vitesse du vent dépasse 15 m/s. Faites atterrir l'appareil dès que possible lorsque l'application DJI Pilot vous y invite.

## 2. Liste des vérifications avant le vol

- Assurez-vous que les batteries de la radiocommande et de l'appareil sont complètement chargées.
- Assurez-vous que les hélices sont en bon état et solidement fixées avant chaque vol.
- Assurez-vous que les moteurs ne sont pas obstrués. Assurez-vous que les moteurs sont propres et qu'ils ne présentent pas de taches.
- Assurez-vous que l'objectif de la caméra est propre et qu'il ne présente pas de taches.
- Remplissez la liste des vérifications avant le vol qui s'affiche dans l'application DJI Pilot. Étalonnez le compas et l'IMU quand l'application DJI Pilot ou le voyant d'état vous y invite.
- Assurez-vous que le nombre de signaux satellites n'est pas inférieur à 6 dans l'application DJI Pilot.
- Toute altération ou modification des pièces de l'appareil peut nuire à sa stabilité. Suivez attentivement les instructions officielles de DJI pour installer du matériel externe compatible et assurez-vous que le poids total de l'appareil ne dépasse pas 9 kg une fois le matériel installé. Assurez-vous que le matériel externe est installé dans la bonne position, comme indiqué dans les instructions officielles, pour éviter d'altérer le centre de gravité de l'appareil.
- Assurez-vous que le système optique, les capteurs infrarouges, les caméras FPV et la lentille des feux auxiliaires sont propres, qu'ils ne présentent aucune tache ou trace de doigt et qu'ils ne sont pas obstrués (p. ex. par une charge fixée sur l'appareil).
- Assurez-vous que les bras sont complètement dépliés. Ensuite, assurez-vous que les bras et les trains d'atterrissage sont bien verrouillés.
- Assurez-vous que les bouchons en caoutchouc sont bien insérés lorsque les ports de l'appareil et de la radiocommande ne sont pas utilisés.
- Assurez-vous que tous les ventilateurs de refroidissement de l'appareil sont exempts de corps étrangers et que l'entrée d'air et le système de ventilation ne sont pas obstrués. Assurez-vous également que les ventilateurs fonctionnent sans aucun bruit normal.

## 3. Indice de protection IP45

Dans des conditions de laboratoire stables, le M300 RTK obtient un indice de protection IP45 conforme aux normes IEC 60529 lorsque l'appareil est équipé des Batteries de Vol Intelligentes TB60. Cependant, cet indice de protection n'est pas permanent et peut diminuer au fil du temps après une longue période d'utilisation.

- Ne faites PAS voler l'appareil en cas de précipitations supérieures à 100 mm/jour.
- NE pliez PAS les bras sous la pluie.
- Assurez-vous que les ports de la batterie, les ports du compartiment de la batterie, les surfaces de la batterie et les surfaces du compartiment de la batterie sont secs avant d'insérer les batteries.
- Assurez-vous que les ports et les surfaces des batteries sont secs avant de charger les batteries.
- Avant de ranger l'appareil dans sa mallette de transport, assurez-vous qu'il est sec en l'essuyant soigneusement.
- La garantie du produit ne couvre pas les dégâts dus à l'eau.

\* Les restrictions d'altitude en vol varient selon les pays ou régions. NE faites PAS voler l'appareil au-dessus de l'altitude maximale définie par vos lois et réglementations locales.



L'appareil DJI™ MATRICE™ 300 RTK (M300 RTK) n'est PAS un jouet et ne doit pas être utilisé par des personnes de moins de 18 ans. Notez que la section «Sécurité - Aperçu» ne donne qu'un bref aperçu des conseils de sécurité. Assurez-vous de lire et de comprendre toutes les autres sections de ce document.

L'appareil ne répond pas aux normes de l'indice de protection IP45 dans les cas suivants :

- Les bras sont repliés.
- Vous utilisez des batteries autres que les Batteries de Vol Intelligentes TB60 du M300 RTK.
- Les cache-ports ne sont pas correctement fermés.
- Le couvercle d'étanchéité supérieur n'est pas solidement fixé au boîtier.
- L'appareil est cassé pour diverses raisons : le boîtier de l'appareil est cassé, le ruban adhésif étanche laisse entrer l'eau, etc.

## 4. Fonctionnement

- NE faites PAS décoller l'appareil à partir d'un véhicule en mouvement.
- Pour préserver la durée de vie du moteur, ne faites pas décoller ou atterrir l'appareil sur des zones sablonneuses ou poussiéreuses.
- Tenez-vous à distance des hélices et des moteurs en rotation.
- Ne perdez jamais l'appareil de vue.
- Pour arrêter les moteurs en cours de vol, poussez les deux joysticks vers le coin intérieur inférieur ou vers le coin extérieur inférieur.
- Si vous arrêtez les moteurs en plein vol, l'appareil s'écrasera. Les moteurs peuvent être coupés en plein vol uniquement lorsque le contrôleur de vol détecte une erreur critique.
- Bien que l'appareil soit équipé d'une technologie de pointe, le pilote doit toujours se fier à son propre jugement pendant le vol. Les fonctions de sécurité et d'assistance en vol telles que le contournement d'obstacles, l'atterrissage de précision et la protection à l'atterrissage sont conçues pour aider le pilote, et non pour remplacer sa maîtrise de l'appareil. Les conditions environnementales comme l'éclairage et la texture des obstacles peuvent affecter les performances du système optique.
- Ne prenez AUCUN appel téléphonique, ne consultez pas vos messages et n'utilisez aucune fonction de votre appareil mobile qui pourrait vous distraire lorsque l'appareil est en vol. NE faites PAS voler l'appareil sous l'emprise de l'alcool ou de médicaments.
- NE faites PAS voler l'appareil au-dessus de surfaces réfléchissantes telles que l'eau ou la neige, car celles-ci risquent de nuire aux performances des systèmes optiques.
- Si un avertissement de batterie faible apparaît, faites immédiatement atterrir l'appareil dans un endroit sûr.
- Pendant la procédure RTH Failsafe, l'appareil ne pourra pas éviter les obstacles si les conditions d'éclairage ne sont pas suffisamment bonnes. Vous pouvez quitter la procédure RTH (Return-to-Home) et reprendre le contrôle de l'appareil dès que le signal de la radiocommande est récupéré. Assurez-vous de définir une altitude de sécurité appropriée avant chaque vol.
- Après l'atterrissage, arrêtez d'abord le moteur, éteignez la Batterie de Vol Intelligente, puis éteignez la radiocommande.
- Bien que l'appareil soit équipé d'une technologie de pointe, le pilote doit toujours se fier à son propre jugement pendant le vol. Les fonctions de sécurité et d'assistance en vol telles que le contournement d'obstacles, l'atterrissage de précision et la protection à l'atterrissage sont conçues pour aider le pilote, et non pour remplacer sa maîtrise de l'appareil. Les conditions environnementales comme l'éclairage et la texture des obstacles peuvent affecter les performances du système optique. Veuillez définir une altitude Return-to-Home supérieure à celle des obstacles environnants dans l'application DJI Pilot.
- La protection à l'atterrissage (qui détecte si le sol convient pour l'atterrissage à une altitude de 2 m au-dessus du sol) est conçue pour optimiser l'expérience de vol. Soyez toujours vigilant lorsque vous contrôlez l'appareil, car le système optique peut être désactivé dans certaines situations (éclairage faible ou motifs flous sur la surface d'un obstacle) et la détection du sol peut échouer.

## 5. Maintenance et entretien

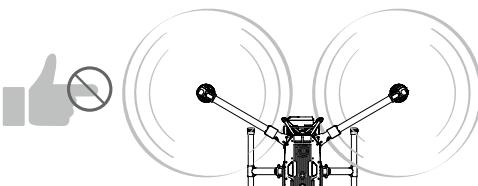
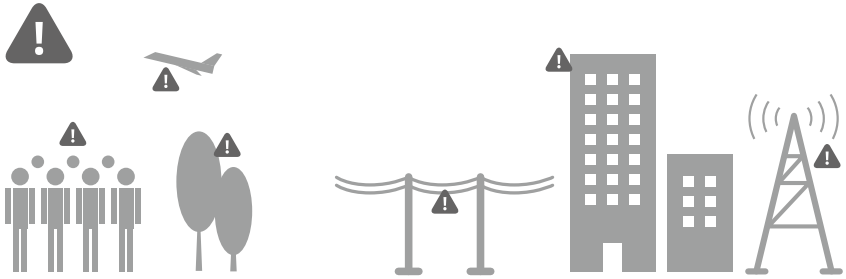
- N'utilisez PAS d'hélices usées, détériorées ou cassées.
- Il est recommandé de ranger l'appareil et les batteries dans un endroit frais et sec, à des températures comprises entre 22 °C et 30 °C, et d'éviter de les exposer à la lumière directe du soleil.
- Consultez les consignes de sécurité de la Batterie de Vol Intelligente pour utiliser la batterie en toute sécurité.

## 6. Respectez les lois et les réglementations locales.

- NE faites PAS voler l'appareil dans des zones GEO. Pour plus d'informations sur ces zones, rendez-vous sur <http://fllysafe.dji.com/>. Veuillez contacter les autorités compétentes de l'aviation civile de votre région pour obtenir une liste complète des zones GEO et de leurs réglementations.
- Les restrictions d'altitude en vol varient selon les pays ou régions. NE faites PAS voler l'appareil au-dessus de l'altitude maximale définie par vos lois et réglementations locales.
- Évitez de voler dans des zones où les équipes de sauvetage utilisent activement l'espace aérien.



FR



Pour plus d'information, rendez-vous sur : <https://fllysafe.dji.com>



## REMARQUE

SZ DJI TECHNOLOGY CO., LTD («DJI») se réserve le droit de modifier, à sa seule discrétion, toutes les instructions de ce guide d'utilisateur et autres documents connexes. Pour connaître les dernières informations sur ce produit, rendez-vous sur le site <http://www.dji.com> et cliquez sur la page produit.

## Glossaire

Les termes suivants sont utilisés dans le présent document pour indiquer les différents niveaux de danger potentiel lors de l'utilisation de ce produit :

**REMARQUE** procédures qui, si elles ne sont pas suivies correctement, peuvent entraîner des dégâts matériels ET éventuellement un risque modéré de blessures.

**MISE EN GARDE** procédures qui, si elles ne sont pas suivies correctement, peuvent entraîner des dégâts matériels ET un risque de blessures graves.

**AVERTISSEMENT** procédures qui, si elles ne sont pas suivies correctement, peuvent entraîner des dégâts matériels, des dégâts collatéraux et des blessures graves OU créer un risque élevé de blessure grave.

### AVERTISSEMENT

**Lisez le guide d'utilisateur DANS SON INTÉGRALITÉ pour vous familiariser avec les caractéristiques de ce produit avant de l'utiliser. Toute utilisation de ce produit ne respectant pas les consignes énoncées dans le guide d'utilisateur pourrait entraîner des dommages à l'appareil ou des dégâts matériels et causer des blessures graves.**

**Il s'agit d'un produit sophistiqué. Il doit être utilisé avec prudence et bon sens et nécessite des connaissances de base en mécanique. Toute utilisation de ce produit de manière irresponsable et non conforme aux règles de sécurité peut entraîner des blessures ou des dommages à l'appareil ou à d'autres biens. Ce produit n'est pas destiné à être utilisé par des enfants. N'utilisez PAS ce produit avec des composants incompatibles. NE modifiez PAS ce produit de quelque manière que ce soit, sauf autorisation contraire de la documentation fournie par SZ DJI OSIMO TECHNOLOGY CO., LTD. Les présentes consignes de sécurité contiennent des instructions relatives à la sécurité, à l'utilisation et à l'entretien. Il est important de lire et de suivre toutes les instructions et mises en garde contenues dans le guide d'utilisateur avant le montage, l'installation ou l'utilisation afin d'utiliser le produit en toute sécurité et d'éviter tout dommage ou blessure grave.**

**ÂGE RECOMMANDÉ : CE PRODUIT N'EST PAS DESTINÉ AUX ENFANTS DE MOINS DE 18 ANS. IL NE S'AGIT PAS D'UN JOUET.**

## Liste des vérifications avant le vol

- Assurez-vous d'utiliser uniquement des pièces d'origine et que toutes les pièces sont en parfait état.
- Assurez-vous que la radiocommande, la Batterie de Vol Intelligente et votre appareil mobile sont entièrement chargés.
- Avant la mise sous tension, vérifiez qu'aucun corps étranger n'est collé à l'objectif de la caméra, que la carte microSD est bien insérée dans la caméra de la nacelle et que la nacelle pivote sans entrave.
- Assurez-vous que les hélices et les vis de fixation sont correctement installées et que les moteurs démarrent et fonctionnent normalement.
- Suivez les instructions à l'écran pour étalonner le compas.
- Assurez-vous de disposer de la dernière version de l'application DJI Pilot et du firmware de l'appareil.
- Assurez-vous que votre zone de vol se trouve en dehors des zones GEO et que les conditions de vol sont adaptées au pilotage de l'appareil.
- Ne faites PAS voler l'appareil si vous êtes sous l'influence de l'alcool, de médicaments ou de toute autre substance pouvant altérer vos capacités cognitives.
- Familiarisez-vous avec le mode de vol sélectionné et l'ensemble des avertissements et fonctions de sécurité.
- Assurez-vous de respecter toutes les réglementations locales, d'obtenir les autorisations appropriées et de comprendre les risques liés au pilotage de l'appareil. RAPPEL : Il est de votre entière responsabilité de vous conformer à toutes les réglementations applicables.
- Veillez à NE JAMAIS PERDRE L'APPAREIL DE VUE. NE vous servez PAS uniquement sur la caméra FPV (vue à la première personne) pour contrôler votre appareil.
- Assurez-vous que l'application DJI Pilot est correctement lancée pour vous aider à utiliser l'appareil. Dans certaines situations (y compris la perte de l'appareil), si les données de vol ne sont pas enregistrées dans l'application DJI Pilot, DJI pourrait ne pas être capable de vous fournir de services après-vente ou ne pourra

assumer aucune responsabilité.

- Testez toujours les performances de vol stationnaire de l'appareil si celui-ci transporte une charge. Assurez-vous que le poids total au décollage ne dépasse pas les limites énoncées dans le guide d'utilisateur. Faites décoller l'appareil en vous assurant que l'appareil ne subisse aucune forte vibration mécanique ni aucune interférence électromagnétique et que le système optique et les capteurs infrarouges ne sont pas obstrués.
- Assurez-vous que le système optique, les capteurs infrarouges, les caméras FPV et la lentille des feux auxiliaires sont propres, qu'ils ne présentent aucune tache ou trace de doigt et qu'ils ne sont pas obstrués (ex. : par une charge fixée sur l'appareil).
- Assurez-vous que les bras sont complètement dépliés. Ensuite, assurez-vous que les bras et les trains d'atterrissage sont bien verrouillés.
- Assurez-vous que les bouchons en caoutchouc sont fermement insérés lorsque les ports de l'appareil et de la radiocommande ne sont pas utilisés.
- Assurez-vous que tous les ventilateurs de refroidissement de l'appareil sont exempts de corps étrangers et que l'entrée d'air et le système de ventilation ne sont pas obstrués. Assurez-vous également que les ventilateurs fonctionnent correctement, sans bruit anormal.

## Clause d'exclusion de responsabilité et mise en garde

Ce produit n'est PAS un jouet et ne doit être utilisé que par des personnes de 18 ans et plus. Les adultes doivent tenir l'appareil hors de portée des enfants et le manipuler avec précaution en leur présence.

Étant donné que le produit est doté de technologies de pointe, toute utilisation inappropriée peut causer des blessures ou des dégâts matériels. Veuillez lire la documentation associée au produit avant d'utiliser le produit pour la première fois. Ces documents sont fournis avec le produit et sont également disponibles en ligne sur la page produit DJI, sur <http://www.dji.com>.

Les informations contenues dans ce document concernent votre sécurité, vos droits et vos obligations. Lisez-le attentivement pour bien configurer votre appareil avant de l'utiliser. Si vous ne lisez pas et ne respectez pas les instructions et les mises en garde ci-après, vous vous exposez à des blessures graves et risquez de perdre ou d'endommager votre appareil.

En utilisant ce produit, vous confirmez que vous avez lu attentivement la clause d'exclusion de responsabilité et que vous comprenez les conditions générales qui y sont énoncées et que vous acceptez de les respecter. À L'EXCEPTION DE CE QUI A ÉTÉ EXPRESSÉMENT PRÉVU DANS LES POLITIQUES DU SERVICE APRÈS-VENTE DE DJI (DISPONIBLES SUR [HTTP://WWW.DJI.COM/SERVICEPOLICY](http://www.dji.com/servicepolicy)), LE PRODUIT ET TOUS SES MATÉRIELS, AINSI QUE TOUT LE CONTENU DISPONIBLE VIA LE PRODUIT SONT FOURNIS « EN L'ÉTAT » ET « SELON DISPONIBILITÉ », SANS GARANTIE NI CONDITION D'AUCUNE SORTIE, QU'ELLE SOIT EXPRESSE OU TACITE. DJI DÉCLINE TOUTE GARANTIE QUELLE QU'ELLE SOIT, SAUF TEL QU'EXPRESSÉMENT STIPULÉ DANS LES POLITIQUES DU SERVICE APRÈS-VENTE DE DJI, EXPRESSE OU TACITE, EN LIEN AVEC LE PRODUIT, LES ACCESSOIRES DU PRODUIT ET TOUS LES MATÉRIELS, Y COMPRIS : (A) TOUTE GARANTIE TACITE DE QUALITÉ MARCHANDE, D'ADEQUATION À UN USAGE PARTICULIER, DE TITRE DE PROPRIÉTÉ, DE JOUISSANCE PAISIBLE OU D'ABSENCE DE CONTREFAÇON ; ET (B) TOUTE GARANTIE RESULTANT D'UNE NEGOCIATION, DE L'UTILISATION OU DE PRATIQUES COMMERCIALES. DJI NE GARANTIT PAS, SAUF MENTION EXPRESSÉMENT FOURNIE DANS LA GARANTIE LIMITEE DJI, QUE LE PRODUIT, SES ACCESSOIRES, TOUTE PARTIE DU PRODUIT, OU TOUT MATÉRIEL NE SERONT PAS ININTERROMPUS, QU'ILS SONT SÉCURISÉS OU EXEMPTS D'ERREURS, DE VIRUS OU D'AUTRES ÉLÉMENTS NUISIBLES, ET NE GARANTIT PAS QUE L'UN DE CES PROBLÈMES SERA CORRIGÉ.

TOUTES INFORMATIONS ET RECOMMANDATIONS, OBTENUES PAR VOUS, QUE CE SOIT À L'ORAL OU PAR ÉCRIT, CONCERNANT LE PRODUIT, DES ACCESSOIRES DU PRODUIT OU TOUT MATÉRIEL ASSOCIÉ, NE SAURONT SOUMETTRE DJI NI LE PRODUIT À UNE AUTRE GARANTIE QUE CELLES EXPRESSÉMENT DÉCRITES DANS LES PRÉSENTES. VOUS ASSUMEZ LA TOTALITÉ DES RISQUES POUR TOUT DOMMAGE RESULTANT DE VOTRE ACCÈS AU PRODUIT, AUX ACCESSOIRES DU PRODUIT ET À TOUT MATÉRIEL OU DE VOTRE UTILISATION DE CES ÉLÉMENTS. VOUS COMPRENEZ ET RECONNAISSEZ QUE VOUS UTILISEZ LE PRODUIT À VOTRE ENTIÈRE DISCRETION ET À VOS PROPRES RISQUES, ET QUE VOUS ÊTES LE SEUL RESPONSABLE DE TOUTE BLESSURE, TOUT DÉCÈS, TOUT DOMMAGE CAUSÉ À VOS BIENS (Y COMPRIS VOTRE SYSTÈME INFORMATIQUE, APPAREIL MOBILE OU MATÉRIEL DJI UTILISÉ EN LIEN AVEC LE PRODUIT) OU AUX BIENS DE TIERS, OU DE TOUTE Perte de DONNÉES RESULTANT DE VOTRE UTILISATION DU PRODUIT OU DE VOTRE INCAPACITÉ À L'UTILISER.

CERTAINES JURIDICTIONS PEUVENT INTERDIRE L'EXCLUSION DE GARANTIES ET VOS DROITS PEUVENT VARIER D'UNE JURIDICTION À L'AUTRE.

DJI décline toute responsabilité quant aux dégâts, aux blessures ou aux problèmes découlant directement ou indirectement de l'utilisation de ce produit. L'utilisateur s'engage à respecter les consignes de sécurité et

les pratiques légales, y compris, mais sans s'y limiter, celles énoncées dans les présentes Consignes de sécurité.

### Stockage et utilisation des données

Lorsque vous utilisez notre application mobile, nos produits ou nos autres logiciels, les données concernant l'utilisation et le fonctionnement du produit, telles que les données de télémétrie de vol (p. ex. vitesse, altitude, autonomie de la batterie, informations sur la nacelle et la caméra, etc.) et les enregistrements d'opérations de vol peuvent être transférés à DJI. Le dispositif de stockage interne de ce produit emmagasine différents types de données, notamment des données télémétriques collectées pendant le vol. Vous pouvez également nous fournir des données télémétriques ainsi que d'autres données lorsque vous nous transmettez manuellement ces informations à partir du périphérique de stockage interne.

Veillez consulter la Politique de confidentialité de DJI (disponible sur <http://www.dji.com/policy>).

### Avant de commencer

Ce produit est un appareil facile à piloter lorsque les conditions indiquées ci-dessous sont réunies. Rendez-vous sur le site <http://www.dji.com> pour connaître les dernières instructions et mises en garde. Consultez la page <http://knowbeforeyoufly.org> pour en savoir plus sur la sécurité aérienne et le respect des règles de sécurité.

Les documents suivants sont conçus pour vous aider à tirer le meilleur parti de votre appareil et à l'utiliser en toute sécurité :

Contenu de l'emballage

Clauses d'exclusion de responsabilité et consignes de sécurité

Batterie de Vol Intelligente : consignes de sécurité

Guide de démarrage rapide

Guide d'utilisateur

Vérifiez toutes les pièces répertoriées dans le document Contenu de l'emballage et lisez la clause d'exclusion de responsabilité et les consignes de sécurité avant de faire voler l'appareil. Préparez ensuite votre premier vol à l'aide du guide de démarrage rapide et en regardant toutes les tutoriels vidéo sur le site officiel de DJI (<http://www.dji.com>). Si vous avez des questions, reportez-vous au guide d'utilisateur disponible dans l'application ou sur le site officiel de DJI pour obtenir des informations plus complètes. Assurez-vous de bien comprendre les fonctionnalités de chaque pièce, les exigences relatives aux conditions de vol, les principales fonctions/systèmes d'alerte ou d'urgence et toutes les réglementations officielles avant chaque vol. Si vous avez des questions ou si vous rencontrez un problème pendant l'assemblage, l'entretien ou l'utilisation de ce produit, veuillez contacter DJI ou un revendeur agréé DJI.

### Pièces individuelles

#### Pièces et composants d'origine

##### **AVERTISSEMENT**

Veillez respecter les consignes ci-dessous pour éviter tout dysfonctionnement d'un composant interne, toute blessure grave ou tout dégât matériel :

1. N'utilisez que des pièces officielles DJI ou certifiées par DJI. L'utilisation de pièces non autorisées ou provenant de fabricants non certifiés par DJI peut entraîner des dysfonctionnements et compromettre votre sécurité.
2. Assurez-vous qu'aucun objet étranger (p. ex. de l'eau, de l'huile, de la terre, du sable, etc.) ne se trouve à l'intérieur de l'appareil ou de ses composants.
3. Assurez-vous que l'appareil et tous ses composants, y compris, mais sans s'y limiter, la radiocommande, la caméra, la nacelle, le compas, le système de propulsion et la batterie, sont en bon état, qu'ils ne présentent aucun dommage et qu'ils fonctionnent correctement. Reportez-vous aux autres sections de ce document pour plus d'information sur la façon d'assurer le bon fonctionnement de ces composants.
4. Veillez à NE PAS altérer ou modifier l'appareil, ses composants et ses pièces. Toute modification non autorisée peut entraîner des dysfonctionnements et affecter les fonctionnalités et l'intégrité de l'appareil.
5. Assurez-vous que tous les ventilateurs de refroidissement de l'appareil sont exempts de corps étrangers et que l'entrée d'air et le système de ventilation ne sont pas obstrués.
6. Tous les accessoires utilisés avec le M300 RTK, y compris, mais sans s'y limiter, les nacelles et les radars CSM, ne doivent pas être utilisés sans l'appareil. Les utilisateurs assument l'entière responsabilité des dommages causés par les accessoires utilisés avec des produits non officiels.
7. Ne connectez PAS de câble non homologué par DJI aux ports de l'appareil, car cela pourrait entraîner des dysfonctionnements du système et compromettre votre sécurité.

#### Système de transmission vidéo

##### **REMARQUE**

1. Activez le mode « Personnalisé » uniquement sous la supervision

d'un professionnel. Sinon, le signal de transmission vidéo risque d'être saccadé, voire d'être perdu à cause d'interférences.

### Radiocommande

##### **REMARQUE**

1. Chargez complètement la Smart Controller avant chaque vol.
2. Une alerte sonore se déclenche automatiquement si la Smart Controller est allumé et que l'écran tactile est éteint pendant cinq minutes. La Smart Controller s'éteint automatiquement dix secondes après l'alerte sonore. Manipulez les joysticks ou effectuez une autre opération pour annuler l'alerte.
3. Vérifiez que les antennes sont correctement déployées et positionnées pour assurer une qualité de transmission optimale.
4. Contactez le service client DJI pour réparer ou remplacer les antennes si elles sont endommagées. Les antennes endommagées réduisent considérablement la performance.
5. Apparez une nouvelle fois la Smart Controller à l'appareil si vous changez d'appareil.
6. Assurez-vous d'éteindre l'appareil avant la Smart Controller.
7. Chargez complètement la Smart Controller tous les trois mois.
8. Chargez immédiatement la Smart Controller lorsque son niveau de charge atteint 10 % pour éviter que la Smart Controller ne soit endommagé par une décharge excessive pendant une période prolongée. Déchargez la Smart Controller à un niveau de charge compris entre 40 % et 60 % si vous la rangez pendant une période prolongée.
9. NE couvrez PAS le système de ventilation de la Smart Controller. Sinon, la Smart Controller risque de surchauffer, ce qui pourrait affecter sa performance.
10. NE démontez PAS la Smart Controller sans l'assistance d'un revendeur DJI agréé. Adressez-vous toujours à DJI ou à un revendeur DJI agréé pour remplacer les composants de la Smart Controller.
11. NE bloquez PAS le GPS intégré. Si le signal GPS est faible alors que le support de fixation de moniteur externe pour radiocommande Smart Controller de DJI Enterprise (ci-après dénommé « support de fixation ») est installé, retirez-le et essayez à nouveau.
12. Pour éviter d'user les protections pour joystick, NE démontez PAS les joysticks régulièrement.

### Compas

##### **MISE EN GARDE**

Pour éviter les risques de blessure grave ou de dégât matériel, veuillez respecter les consignes suivantes :

1. Faites immédiatement atterrir l'appareil si celui-ci dérive de manière évidente pendant le vol.
2. NE faites PAS voler l'appareil dans un environnement présentant de fortes interférences électromagnétiques ou un grand nombre d'obstacles.
3. Si l'application DJI Pilot vous invite à étalonner le compas avant le décollage, effectuez l'étalonnage du compas dans un environnement sans interférence électromagnétique avant de faire décoller l'appareil.

##### **REMARQUE**

Étalonnez le compas uniquement si l'application DJI Pilot ou le voyant d'état vous y invite. Étalonnez le compas en respectant les consignes ci-dessous :

1. N'étalonnez PAS le compas dans une zone présentant des interférences magnétiques, telles que des zones à forte concentration de magnérite, des aires de stationnement ou des armatures en acier sous terre.
2. NE transportez PAS de matériaux ferromagnétiques, comme des téléphones portables, pendant l'étalonnage.
3. L'application DJI Pilot vous avertira d'un problème et vous invitera à le résoudre si le compas subit de fortes interférences une fois l'étalonnage terminé. Suivez les instructions fournies dans l'application pour résoudre le problème lié au compas.

### Systèmes de propulsion

##### **AVERTISSEMENT**

Pour éviter de vous exposer et d'exposer les autres à des blessures graves qui pourraient être causées par les moteurs et les hélices en rotation, veuillez respecter les consignes suivantes :

#### Hélices

1. N'utilisez PAS d'hélices usées, détériorées ou cassées.
2. Éteignez toujours l'appareil avant de toucher les hélices.
3. Faites attention aux bords tranchants des hélices lors du montage ou du retrait des hélices. Portez des gants ou prenez d'autres mesures de protection lorsque vous touchez les hélices.
4. Si besoin, utilisez des outils (p. ex. clé à molette, tournevis, pinces, etc.) pour retirer ou installer les hélices.

- Assurez-vous que les hélices et les vis de fixation sont correctement fixées pour éviter qu'elles ne tombent des moteurs.
- N'allumez PAS les moteurs lorsque les hélices sont installées et que d'autres personnes ou animaux se trouvent à proximité immédiate.
- L'utilisation d'hélices provenant d'un vendeur tiers peut compromettre l'aérodynamisme de l'appareil. Pour bénéficier de la meilleure expérience de vol possible dans des conditions sûres, nous vous recommandons d'utiliser uniquement des hélices DJI d'origine.
- Essayez les hélices pour les faire sécher avant chaque vol si la température ambiante est d'environ 0 °C afin d'éviter que les hélices ne se soient couvertes de givre.

#### Moteurs

- Assurez-vous que les moteurs sont bien fixés et qu'ils tournent normalement.
- Assurez-vous que les moteurs sont correctement installés et qu'ils fonctionnent normalement avant chaque vol. Si les fentes d'aération des moteurs sont bouchées, nettoyez-les avant le prochain vol. Si le couvercle présente des signes d'usure, qu'il est endommagé ou déformé, veuillez contacter DJI ou un revendeur agréé DJI.
- N'essayez PAS de modifier la structure des moteurs.
- Une fois le vol terminé, pour prévenir tout risque de brûlure, NE touchez PAS les moteurs et ne vous en approchez pas.

#### Contrôleurs électroniques de vitesse

- Si nécessaire, suivez les invites de l'application pour corriger les anomalies des contrôleurs électroniques de vitesse avant chaque vol.
- Faites atterrir l'appareil si l'application DJI Pilot vous indique que les contrôleurs électroniques de vitesse présentent un problème (p. ex. surchauffe, basse tension ou surcharge).

#### MISE EN GARDE

Pour éviter les risques de blessure grave ou de dégât matériel, veuillez respecter les consignes suivantes :

- N'obstruez PAS les fentes d'aération des moteurs.
- N'obstruez PAS les fentes d'aération des bras de l'appareil.

#### REMARQUE

Pour ne pas affecter la durée de vie des moteurs, ne faites ni décoller ni atterrir l'appareil sur des zones sablonneuses ou poussiéreuses.

- Protégez les moteurs de la poussière et assurez-vous que les fentes d'aération du moteur ne sont pas obstruées.
- Si un moteur est bloqué et incapable de tourner librement, lancez la commande de joystick combinée (CSC) pour arrêter immédiatement les moteurs.

#### Contrôleurs électroniques de vitesse

Assurez-vous que les contrôleurs électroniques de vitesse émettent un son normal lorsqu'ils sont allumés.

#### Application DJI Pilot

#### REMARQUE

- Assurez-vous de charger complètement votre tablette ou votre appareil mobile (le cas échéant) avant de lancer l'application.
- Si vous utilisez un téléphone portable comme appareil d'affichage, assurez-vous de pouvoir voler en toute sécurité lorsque le téléphone reçoit un appel. Ne prenez AUCUN appel téléphonique pendant le vol.
- Les données cellulaires mobiles doivent être activées pour utiliser l'application DJI Pilot. Contactez votre fournisseur de télécommunications sans fil pour en savoir plus sur les frais liés à ces données.
- Utilisez attentivement tous les conseils de sécurité, les messages d'avertissement et les clauses d'exclusion de responsabilité affichés dans l'application. Familiarisez-vous avec les réglementations locales en matière de vol. Il vous incombe de connaître les réglementations en vigueur et de respecter les consignes de vol associées.
  - Assurez-vous de lire et de comprendre tous les messages d'avertissement avant de réinitialiser votre point de départ.
  - Lisez attentivement le message d'avertissement et les clauses d'exclusion de responsabilité avant de dépasser l'altitude réglementaire.
  - Lisez attentivement les messages d'avertissement et les clauses d'exclusion de responsabilité avant de changer de mode de vol.
- Faites immédiatement atterrir l'appareil en lieu sûr lorsqu'une alerte s'affiche dans l'application.
- Examinez et vérifiez tous les messages d'avertissement de la liste des vérifications affichée dans l'application avant chaque vol.
- Utilisez DJI ASSISTANT™ 2 pour perfectionner vos techniques de vol si vous n'avez jamais utilisé l'appareil ou si vous NE vous sentez PAS encore à l'aise avec l'appareil par manque d'expérience.
- Mettez en mémoire les données cartographiques de la zone que

vous souhaitez survoler en connectant l'appareil à Internet avant chaque vol.

- L'application a été conçue pour vous assister dans vos opérations. Utilisez votre propre jugement et NE vous fiez PAS à l'application pour contrôler votre appareil.
- Votre utilisation de l'application est soumise aux conditions d'utilisation de l'application DJI Pilot et à la politique de confidentialité de DJI. Lisez attentivement ces documents dans l'application.

#### Firmware

#### ⚠ AVERTISSEMENT

Pour éviter d'exposer les enfants et les animaux à des risques de blessures graves, respectez la consigne suivante :

- Tenez l'appareil hors de portée des enfants et des animaux pendant la mise à niveau du firmware, pendant l'étalonnage du système ou lorsque vous réglez les paramètres de l'appareil.

#### REMARQUE

- Par mesure de précaution, téléchargez toujours la dernière version du firmware dès qu'un message de mise à niveau s'affiche dans l'application DJI Pilot.
- Les notifications de mise à niveau du firmware vous informeront des dernières mises à niveau disponibles. Vous êtes tenu de lire et de comprendre toutes les informations affichées.
- Assurez-vous de mettre à jour le firmware de la radiocommande vers la version la plus récente après avoir mis à jour le firmware de l'appareil.
- Il se peut que la radiocommande ne soit plus appairée avec l'appareil après la mise à jour.
- Vérifiez tous les branchements et retirez les hélices des moteurs avant de mettre à jour le firmware.

#### SDK

#### REMARQUE

- Avant d'utiliser le SDK de DJI, vous devez accepter les conditions d'utilisation du SDK de DJI et la politique de confidentialité de DJI. Ces conditions d'utilisation et cette politique de confidentialité limitent certaines des responsabilités légales de DJI, veuillez les lire attentivement sur <https://developer.dji.com/policies/>.

#### Caméra (en option)

#### ⚠ AVERTISSEMENT

Pour éviter tout risque de blessure grave ou tout dégât matériel, respectez les consignes suivantes :

- N'obstruez PAS les fentes d'aération de la caméra. La chaleur dégagée risque de vous brûler et d'endommager l'appareil.

#### REMARQUE

- Avant utilisation, vérifiez les paramètres de la caméra pour vous assurer qu'ils sont réglés en fonction de vos besoins.
- Testez la caméra en prenant quelques photos d'essai et vérifiez qu'elle fonctionne correctement avant de prendre des photos ou des vidéos importantes.
- NE retirez PAS la carte microSD de l'appareil ou de la caméra de la nacelle lorsque celle-ci est sous tension. Veuillez utiliser des cartes microSD recommandées.
- Respectez la procédure de mise hors tension de la Batterie de Vol Intelligente. Dans le cas contraire, les paramètres de votre caméra NE seront PAS enregistrés et les vidéos enregistrées risquent d'être corrompues.
- Quelle qu'en soit la raison, DJI ne pourra en aucun cas être tenu responsable de toute défaillance lors de l'enregistrement d'une vidéo ou d'une image ou de tout défaut sur des photos ou vidéos enregistrées.

#### Nacelle (en option)

#### REMARQUE

- Les pièces de précision de la nacelle peuvent être endommagées en cas de collision ou d'impact, ce qui peut entraîner un dysfonctionnement.
- N'appliquez PAS une force physique externe à la nacelle une fois cette dernière sous tension.
- N'ajoutez AUCUNE charge à la nacelle. Cela risque d'entraîner des dysfonctionnements et d'endommager le moteur.
- La nacelle et le connecteur de nacelle sont très fragiles. Manipulez-les avec précaution et NE touchez PAS le connecteur de nacelle. Tout dégât peut causer un défaut de fonctionnement de la nacelle.
- Tenez fermement la nacelle lorsque vous l'installez ou que vous l'enlevez pour éviter qu'elle ne tombe.
- Veillez à NE PAS installer ou enlever la nacelle lorsque l'appareil est sous tension.
- Si vous utilisez un système qui comporte plusieurs nacelles,

assurez-vous de suivre attentivement les instructions fournies dans le guide d'utilisateur pour installer correctement les caméras de nacelles compatibles.

## Entretien du produit

### Rangement et transport

#### **AVERTISSEMENT**

Pour éviter d'exposer les enfants et les animaux à des risques de blessures graves, respectez la consigne suivante :

1. Les petites pièces, telles que les câbles et les sangles, peuvent être dangereuses en cas d'ingestion. Conservez toutes ces pièces hors de portée des enfants et des animaux.

#### **REMARQUE**

1. Chargez et déchargez complètement la batterie de manière régulière pour la maintenir en bon état. Consultez les consignes de sécurité de la Batterie de Vol Intelligente pour utiliser la batterie en toute sécurité.
2. NE laissez PAS la caméra entrer en contact avec de l'eau ou d'autres liquides. Si elle se mouille, essuyez-la avec un chiffon doux et absorbant. Si vous allumez un appareil qui est tombé dans l'eau, vous risquez d'endommager les composants de manière irréversible. N'utilisez PAS de substance contenant de l'alcool, du benzène, des diluants ou d'autres substances inflammables pour nettoyer ou entretenir la caméra. Ne rangez PAS la caméra dans des endroits humides ou poussiéreux.
3. Retirez la nacelle de l'appareil lorsque vous les rangez pendant une longue période ou que vous les transportez sur de longues distances.
4. NE connectez PAS ce produit à une interface USB antérieure à la version 2.0. NE connectez PAS ce produit à un « Hub USB » ou appareils similaires.
5. Les bras et les hélices doivent être repliés dans leur position d'origine pendant le transport, faute de quoi les antennes risquent d'être endommagées. Placez délicatement l'appareil au sol pour éviter d'endommager l'IMU ou d'autres pièces.

### Maintenance et entretien

#### **REMARQUE**

1. Veuillez contacter les centres de service recommandés par DJI pour faire inspecter ou réparer le produit en cas d'accident ou d'impact violent. L'utilisation d'un appareil endommagé est extrêmement dangereuse et peut provoquer des blessures corporelles ou des dégâts matériels.
2. Chargez et déchargez complètement la batterie de manière régulière pour la maintenir en bon état. Consultez les consignes de sécurité de la Batterie de Vol Intelligente pour utiliser la batterie en toute sécurité.
3. Il est recommandé de planifier des services de maintenance réguliers pour assurer la sécurité et la fiabilité de l'appareil en vol. Veuillez consulter les consignes de sécurité de la Batterie de Vol Intelligente pour plus d'information.
4. Vérifiez régulièrement les voyants de niveau de batterie pour connaître le niveau de charge actuel de la batterie et son autonomie globale. La batterie est conçue pour 200 cycles de recharge. Il n'est pas recommandé de continuer à l'utiliser au-delà de cette limite. Consultez les consignes de sécurité de la Batterie de Vol Intelligente pour utiliser et entretenir la batterie en toute sécurité.
5. Reportez-vous au manuel de maintenance pour plus d'informations sur comment vérifier et maintenir le produit après utilisation pendant une période prolongée afin de garder le produit dans les meilleures conditions possibles et réduire les risques de sécurité. La fréquence d'opérations de maintenance dépend de la fréquence d'utilisation du produit. La maintenance doit cependant être réalisée une fois tous les six mois. Le produit peut aussi être envoyé à DJI pour la maintenance. Rendez-vous sur <https://enterprise.dji.com/enterprise-maintenance> pour plus d'informations.
6. Les composants de la M300 RTK possède une durée de vie assurée. À partir de la première utilisation, les pièces d'usure telles que les hélices et l'amortisseur de nacelle possède une durée de vie assurée de 300 heures alors que les composants du système de propulsion ont une durée de vie de 900 heures. Des risques de sécurité peuvent survenir si le produit est utilisé une fois la durée de vie dépassée. DJI n'est pas responsable pour tout risque pouvant survenir d'une prolongation de l'utilisation du produit.

## Exigences relatives aux conditions de vol

### Conditions météorologiques et environnement

#### **AVERTISSEMENT**

L'appareil est conçu pour fonctionner dans des conditions météorologiques bonnes ou modérées. Pour éviter toute collision, blessure grave ou tout dégât matériel éventuel, respectez les consignes suivantes :

1. N'utilisez PAS l'appareil dans des conditions météorologiques extrêmes. Ces conditions extrêmes incluent notamment les vents violents supérieurs à 15 m/s, la neige, les fortes précipitations, le brouillard, la grêle, l'orage ainsi que les tornades et ouragans.
2. Pendant le vol, maintenez l'appareil à une distance de sécurité d'au moins 10 m des obstacles, personnes, animaux, bâtiments, infrastructures publiques, arbres et étendues d'eau présents dans l'environnement de vol. Restez encore plus loin des objets mentionnés ci-dessus à mesure que l'appareil monte en altitude.
3. REDOUBLEZ de prudence lorsque vous utilisez l'appareil en intérieur. Certaines caractéristiques de l'appareil, en particulier la fonction de stabilisation, peuvent être affectées lorsque l'appareil vol dans un environnement clos.
4. Assurez-vous d'activer le système optique lorsque vous faites voler l'appareil en intérieur. Notez que le système optique peut NE PAS fonctionner correctement lorsqu'il survole une étendue d'eau, des surfaces sans motif clair ou qu'il vole dans un environnement mal éclairé.

#### **REMARQUE**

1. Les performances de l'appareil et de la batterie sont sujettes à des facteurs environnementaux, tels que la température et la densité de l'air.
  - a. N'utilisez PAS l'appareil si la température n'est pas comprise entre -20 °C et 50 °C.
2. N'utilisez PAS l'appareil à proximité d'accidents, d'incendies, d'explosions, d'inondations, de tsunamis, d'avalanches, de glissements de terrain, de tremblements de terre, de zones très poussiéreuses ou de tempêtes de sable.

### Interférence avec les systèmes de communication

#### **REMARQUE**

1. Vérifiez qu'aucune partie de l'appareil n'ait été endommagée ou ne s'est écrasée. Contactez le Service client DJI ou un revendeur agréé en cas de besoin.
2. Faites voler l'appareil dans des espaces dégagés. La présence de grands bâtiments ou de structures en acier peut affecter la précision du compas intégré et bloquer le signal GPS.
3. Évitez toute interférence entre la radiocommande et d'autres appareils sans fil. Veillez à désactiver le Wi-Fi de votre appareil mobile.
4. Soyez extrêmement prudent lorsque vous faites voler l'appareil à proximité de zones soumises à des interférences magnétiques ou radio. Celles-ci incluent, mais sans s'y limiter : les lignes à haute tension, les grandes centrales électriques ou stations de base et les tours de diffusion. Dans le cas contraire, la qualité du signal peut être compromise. Des erreurs peuvent également survenir au niveau de la radiocommande et de la transmission vidéo, ce qui peut affecter l'orientation du vol et la précision de la localisation. L'appareil peut se comporter anormalement ou échapper à tout contrôle dans les zones soumises à de fortes interférences.

### Utilisation responsable de l'appareil

#### **AVERTISSEMENT**

Pour éviter toute blessure grave ou tout dégât matériel, respectez les consignes suivantes :

1. Veillez à NE PAS être sous l'emprise de médicaments ou de l'alcool ou sous l'effet d'une anesthésie, et à ne pas souffrir de vertiges, de fatigue, de nausée ou de tout autre problème, physique ou mentale, pouvant altérer votre capacité à utiliser l'appareil en toute sécurité.
2. Après l'atterrissage, mettez d'abord l'appareil hors tension, puis éteignez la radiocommande.
3. Veillez à NE PAS laisser tomber, lancer, tirer ou projeter de quelque autre manière que ce soit des charges dangereuses sur ou dans des bâtiments, des personnes ou des animaux, ou toute charge qui pourrait causer des blessures ou des dommages matériels.
4. N'utilisez PAS l'appareil s'il s'est écrasé, s'il a été accidentellement endommagé ou s'il n'est pas en bon état.

#### **REMARQUE**

1. Assurez-vous d'être suffisamment entraîné et parfaitement au courant de tout plan d'urgence avant qu'un accident ne se produise.
2. Assurez-vous d'avoir un plan de vol et de ne jamais piloter l'appareil de manière irresponsable.
3. Respectez le droit à la vie privée d'autrui lorsque vous utilisez la caméra. Assurez-vous de respecter les lois, réglementations et mœurs locales en matière de confidentialité et de vie privée.
4. Utilisez UNIQUEMENT ce produit dans le cadre d'une utilisation personnelle. N'utilisez PAS ce produit pour tout usage illégal ou inapproprié (comme de l'espionnage, des opérations militaires, ou des enquêtes non autorisées).
5. N'utilisez PAS ce produit pour diffamer, abuser, harceler, traquer, menacer ou autrement violer les droits d'autrui (tels que le droit au respect de la vie privée et le droit à l'image).
6. NE vous introduisez PAS sans autorisation dans une propriété privée.

## Modes de vol, fonctions et avertissements

### Modes de vol

#### AVERTISSEMENT

NE passez PAS du mode P au mode S ou au mode T, sauf si vous estimez assez bien connaître le comportement de l'appareil avec chaque mode de vol. Vous devez activer le paramètre « Modes de vol multiples » dans l'application avant de pouvoir basculer entre le mode P et d'autres modes.

L'appareil passe automatiquement en mode Attitude lorsque les deux conditions suivantes sont remplies : (1) le système optique est indisponible et (2) soit le signal GPS est faible, soit le compas subit des interférences.

En mode Attitude, le système optique et certaines fonctionnalités avancées sont désactivés. Par conséquent, l'appareil ne peut pas se positionner ou freiner automatiquement dans ce mode et est facilement affecté par son environnement, ce qui peut entraîner un décalage horizontal. Utilisez la radiocommande pour positionner l'appareil.

Manœuvrer l'appareil en mode Attitude peut être difficile. Avant de faire passer l'appareil en mode Attitude, assurez-vous de vous sentir suffisamment à l'aise pour voler avec ce mode. NE faites PAS voler l'appareil trop loin de vous, car vous pourriez perdre le contrôle et provoquer une situation potentiellement dangereuse.

Évitez de faire voler l'appareil dans des zones où le signal GPS est faible ou dans des espaces étroits et confinés. Dans le cas contraire, l'appareil activera automatiquement le mode Attitude, ce qui entraînera des risques d'accident de vol. Faites atterrir l'appareil dans un endroit sûr dès que possible.

#### REMARQUE

Le mode P est adapté à la plupart des scénarios de vol. Lorsque vous volez avec d'autres modes, prenez des précautions SUPPLÉMENTAIRES, car certaines fonctionnalités ne seront PAS disponibles. Lorsque vous volez en mode Attitude, prenez des précautions SUPPLÉMENTAIRES, car certaines fonctionnalités ne sont PAS disponibles en mode Attitude. Lorsque vous volez en intérieur, l'appareil ne peut pas effectuer de vol stationnaire de précision si celui-ci vole au-dessus de surfaces dépourvues de motifs nettes. Reportez-vous à la section « Système optique et système de détection infrarouge » pour consulter la liste complète des critères à respecter pour utiliser l'appareil en intérieur.

- Mode P (Position) : Le fonctionnement du mode P est optimal lorsque le signal GPS est fort. L'appareil utilise les systèmes GPS et optique pour se stabiliser automatiquement.
- Mode S (Sport) : Le mode S est identique au mode P en termes de réglages du contrôleur de vol, à la différence que les valeurs de gain de l'appareil sont ajustées afin d'améliorer sa maniabilité. La vitesse de vol maximale de l'appareil est augmentée quand ce mode est activé.
- Mode T (Trépied) : Le mode T est basé sur le mode P, mais avec une vitesse de vol limitée, ce qui permet de mieux contrôler les mouvements de l'appareil.

### Return-to-Home (RTH)

#### REMARQUE

- La fonction RTH (Return-to-Home) peut être affectée par la météo, l'ionosphère de vol ou tout champ magnétique à proximité.
- Assurez-vous d'utiliser l'appareil dans la plage de transmission optimale de la radiocommande.
- Appuyez sur le bouton RTH (Return-to-Home) de la radiocommande pour lancer le processus de retour au point de départ au lieu d'éteindre la radiocommande. L'appareil volera jusqu'au dernier point de départ enregistré.
- Si l'appareil survole des surfaces très sombres (< 15 lux) ou très lumineuses (> 10 000 lux), il ne pourra pas éviter les obstacles. Ne vous fiez PAS au système optique et soyez toujours vigilant lorsque vous pilotez l'appareil. Contrôlez l'appareil par vous-même si nécessaire ou appuyez sur le bouton RTH pour empêcher l'appareil de retourner au point de départ.
- Les grands bâtiments peuvent nuire à la fonction Failsafe. Il est donc important de définir une attitude Failsafe avant chaque vol. Veuillez ajuster l'altitude de l'appareil lorsque celui-ci revient au point de départ.
- La fonction Return-to-Home NE fonctionne PAS si le signal GPS est insuffisant (mois de trois barres) ou si le GPS est désactivé.
- En cas de perte du signal de la radiocommande, si le signal GPS est faible et que l'appareil ne peut pas détecter le point de départ, l'appareil passera en vol stationnaire pendant 8 secondes puis atterrira automatiquement si le mode P est activé.
- Si l'autonomie de la batterie le permet, il se peut que l'appareil revienne au dernier point où il captait le signal de la radiocommande pendant la procédure RTH Failsafe. En conséquence, il se peut que vous observiez l'appareil s'éloigner de vous, puis revenir au point de départ.

### Batterie faible

#### REMARQUE

- Lorsque l'avertissement de niveau de batterie critique s'active et que l'appareil entame automatiquement sa descente, vous

peuvent accélérer pour maintenir l'altitude de l'appareil et le diriger vers un endroit plus approprié pour l'atterrissage.

- Lorsque des avertissements de batterie se déclenchent, ramenez rapidement l'appareil au point de départ ou faites-le atterrir pour éviter de perdre de la puissance pendant le vol et de causer des dommages à l'appareil, aux biens, aux animaux et aux personnes.

### D-RTK 2

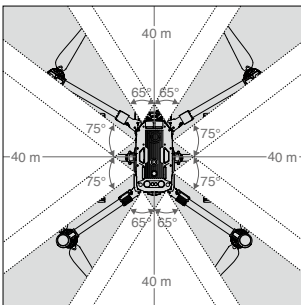
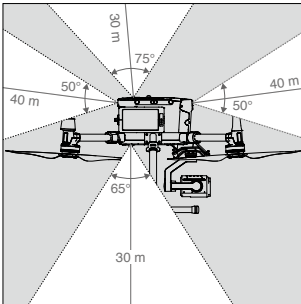
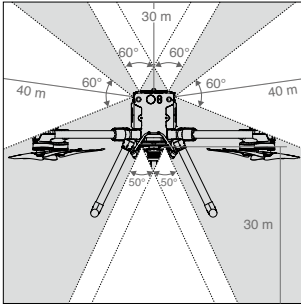
#### REMARQUE

- N'utilisez que des pièces officielles DJI ou certifiées par DJI. L'utilisation de pièces non homologuées ou provenant de fabricants non certifiés par DJI peut entraîner des dysfonctionnements système et compromettre votre sécurité.
- Utilisez l'appareil dans un environnement ouvert, sans interférences radio.
- N'obstruez PAS les antennes du D-RTK 2.

### Système optique et système de détection infrarouge

#### REMARQUE

- Le système optique fonctionne correctement jusqu'à une hauteur de 30 m au-dessus de surfaces présentant des variations de motifs nettes. Le système optique ne peut pas fonctionner lorsque l'appareil vole rapidement à des altitudes inférieures à 0,5 m.
- Le système optique peut NE PAS fonctionner correctement lorsque l'appareil survole un plan d'eau. NE vous fiez PAS trop au système optique et utilisez l'appareil avec prudence.
- Il se peut que le système optique NE fonctionne PAS correctement dans les situations suivantes :
  - Vol au-dessus de surfaces monochromes (p. ex. noir, blanc, rouge ou vert uni) ou sans textures distinctes.
  - Vol au-dessus de surfaces très réfléchissantes.
  - Vol au-dessus d'étendues d'eau ou de surfaces transparentes.
  - Vol au-dessus de surfaces ou d'objets en mouvement (ex. : au-dessus de personnes, de roseaux, d'arbustes ou d'herbes en mouvement).
  - Voler dans une zone où la luminosité change fréquemment ou de manière importante ou dans une zone exposée à des conditions de forte luminosité.
  - Vol au-dessus de surfaces très sombres (< 15 lux) ou très lumineuses (> 10 000 lux).
  - Vol à haute vitesse (plus de 14 m/s à 2 m d'altitude ou plus de 5 m/s à 1 m d'altitude).
  - Présence de petits obstacles.
  - L'objectif est sale (par exemple, gouttes de pluie, empreintes digitales, etc.).
  - Environnements à faible visibilité (par exemple, brouillard épais).
- Il se peut que le système de détection infrarouge NE fournisse PAS la distance précise dans une des situations suivantes :
  - Vol au-dessus de surfaces qui peuvent absorber les ondes sonores (ex. : des objets noir mat et uni).
  - Vol au-dessus d'une zone comportant des réflecteurs puissants sur plus de 15 m (ex. : plusieurs panneaux de signalisation placés côte à côte).
  - Présence de petits obstacles.
  - Présence de miroirs ou objets transparents (ex. : miroirs, eau et verre).
- Le système optique doit être étalonné si l'appareil s'est écarté. Étalonnez le système optique si l'application DJI Pilot vous y invite.
- Évitez de voler par temps pluvieux et brumeux ou dans des conditions de faible visibilité (visibilité inférieure à 100 m).
- Veillez à ce que les capteurs du système optique et du système de détection infrarouge soient toujours propres.
  - Retirez le film de protection, les autocollants et autres obstructions.
  - Si des gouttes d'eau, des traces de doigt, de la saleté, etc., sont présentes sur les capteurs, veuillez d'abord les essuyer (utilisez un chiffon propre sans solvants organiques tels que l'alcool).
  - Si le verre de protection est tombé, cassé, rayé, usé, etc., veuillez contacter le service après-vente DJI ou votre revendeur local.
- Veillez à NE PAS accrocher ni placer quoi que ce soit à un endroit qui bloquerait le système optique, le système de détection infrarouge et leur portée.
- N'interférez en aucune façon avec le système optique ou le système de détection infrarouge (p. ex. en éclairant le système optique à l'aide d'une source lumineuse intense ou en dirigeant des réflecteurs vers le capteur infrarouge), et assurez-vous que la lentille du capteur est propre et exempte de taches.
- Le système optique et le système de détection infrarouge ne seront pas en mesure de freiner et d'arrêter l'appareil à une distance de sécurité suffisante par rapport à un obstacle si l'angle d'altitude de l'appareil est supérieur à 25 degrés ou si sa vitesse dépasse 17 m/s.
- Veillez tenir compte des angles morts (en gris) du système optique et du système de détection infrarouge. La portée du capteur infrarouge est de 8 m.



## Conformité aux réglementations et aux zones GEO

### Réglementations

#### **AVERTISSEMENT**

Pour éviter tout comportement non conforme, toute blessure grave ou tout dégât matériel, respectez les consignes suivantes :

1. NE faites PAS voler l'appareil à proximité d'un aéronef avec pilote, quelle que soit l'altitude. (Atterrissage immédiat si nécessaire.)
2. NE faites PAS voler l'appareil dans des zones où se tiennent de grands événements, notamment des manifestations sportives et des concerts.
3. NE faites PAS voler l'appareil dans des zones interdites par les lois locales.
4. NE dépassez PAS l'altitude autorisée. Tenez-vous à l'écart et NE perturbez PAS le fonctionnement des aéronefs avec pilote. Ayez toujours conscience des autres appareils et obstacles à proximité et évitez-les en toutes circonstances.

#### **MISE EN GARDE**

Pour éviter toute blessure grave ou tout dégât matériel, respectez les consignes suivantes :

1. NE faites PAS voler l'appareil à proximité ou à l'intérieur des zones GEO établies par les lois et réglementations locales en vigueur. Les zones GEO incluent : aéroports, frontières entre

deux pays souverains ou deux régions souveraines, grandes villes/régions, etc. Cette liste est régulièrement mise à jour.

2. NE dépassez PAS l'altitude autorisée.
3. Gardez TOUJOURS votre appareil à portée de vue et faites appel à un observateur pour vous aider si nécessaire.
4. N'utilisez JAMAIS l'appareil pour transporter des marchandises/charges illégales ou dangereuses.

#### **REMARQUE**

1. Assurez-vous de comprendre la nature et le type de chaque vol que vous effectuez (ex. : loisirs, usage public ou usage commercial) et d'obtenir l'approbation et l'autorisation des agences publiques concernées avant le vol. Contactez les pouvoirs locaux pour obtenir des définitions précises et une liste des exigences en matière de vol applicables à votre lieu de résidence. Si vous utilisez votre appareil aux États-Unis, veuillez d'abord vous rendre sur <http://www.knowbeforeyoufly.org/> et prendre les mesures appropriées par rapport à votre situation.
2. Veuillez noter que l'utilisation d'appareils radiocommandés à des fins commerciales est interdite dans certains pays et régions. Veuillez consulter et respecter toutes les lois et réglementations applicables avant de faire voler l'appareil ; ces réglementations peuvent différer de celles indiquées dans ce document.
3. NE faites PAS voler l'appareil autour d'infrastructures ou de sites réglementés tels que les centrales électriques, les installations de traitement des eaux usées, les centres pénitentiaires, les routes très fréquentées, les sites gouvernementaux, les zones militaires, etc.
4. Respectez le droit à la vie privée d'autrui lorsque vous utilisez la caméra. Il est strictement INTERDIT de filmer sans autorisation (notamment en prenant des images ou en enregistrant des vidéos) une personne, une entité, un événement, un spectacle, une exposition, une propriété ou bien un endroit où la vie privée est censée être protégée, même si les images ou les vidéos enregistrées sont destinées à un usage personnel.
5. Veuillez noter que dans certaines zones, l'enregistrement d'images et de vidéos d'événements, de performances, d'expositions ou de propriétés à usage commercial au moyen d'une caméra peut constituer une violation du droit d'auteur ou d'autres droits légaux, même si l'image ou la vidéo en question a été prise pour un usage personnel.

### Restrictions de vol

#### **REMARQUE**

DJI considère la sécurité du vol avec la plus haute importance et a développé de nombreuses façons d'aider les utilisateurs à voler en sécurité. Ces aides ne garantissent pas que vous respectez toutes les lois, réglementations et restrictions temporaires de vol applicables. Vous êtes seul responsable de votre comportement lorsque vous pilotez un appareil DJI.

Il est recommandé de télécharger la dernière version du firmware afin d'actualiser les fonctions suivantes :

#### Zones GEO

1. Toutes les zones GEO sont répertoriées sur le site Web officiel de DJI à l'adresse <http://www.dji.com/flysafe>. Les zones GEO sont divisées en différentes catégories et comprennent, sans s'y limiter, des endroits tels que les aéroports, les terrains d'aviation où des appareils avec pilote opèrent à basse altitude, les frontières entre pays, les endroits stratégiques comme les centrales électriques et des zones accueillant des événements importants.
2. Les restrictions de vol varient selon les zones. Selon les restrictions définies pour une zone particulière, des avertissements peuvent apparaître dans l'application DJI Pilot, le décollage peut être interdit, l'altitude en vol peut être limitée ou l'appareil peut prendre des mesures automatiques telles que l'atterrissage automatique.
3. Les fonctions liées aux actions que vous pouvez effectuer pendant le vol sont affectées, dans une certaine mesure, lorsque l'appareil se trouve à proximité ou à l'intérieur d'une zone GEO. Ces effets incluent, sans s'y limiter, le ralentissement de l'appareil, l'impossibilité pour l'utilisateur de créer une tâche de vol et l'interruption d'une tâche de vol en cours.
4. Faire fonctionner l'appareil en suivant les restrictions de zones GEO ne garantit pas sa conformité avec toutes les lois et les réglementations en vigueur, ni avec les restrictions de vol temporaires. Consultez votre avocat ou les autorités locales pour garantir votre respect des réglementations applicables.

#### Limite d'altitude

1. NE faites PAS voler l'appareil à plus de 120 mètres au-dessus du sol et tenez-le à l'écart de tout obstacle. L'altitude en vol maximale autorisée par vos lois et réglementations locales peut être inférieure à celle indiquée ci-dessus. Respecter scrupuleusement toutes les lois applicables.
2. Si vous avez l'intention de voler au-dessus de la limite d'altitude par défaut, vous devez accepter la clause d'exclusion de responsabilité qui s'affiche à l'écran avant de pouvoir activer la nouvelle limite d'altitude.



# Sicurezza in sintesi

## 1. Considerazioni di carattere ambientale

- Volare sempre in luoghi privi di edifici e altri ostacoli.
- NON sorvolare o volare o in prossimità di grandi assembramenti di persone.
- Evitare di volare ad altitudini superiori a 120 m (400 piedi)\*.
- Utilizzare il dispositivo in condizioni meteorologiche favorevoli e con temperature comprese tra -20 °C e 50 °C.
- Prestare ulteriore attenzione durante il volo in ambienti chiusi, in quanto le funzionalità di stabilizzazione dell'aeromobile potrebbero subire interferenze.
- NON operare l'aeromobile in condizioni di vento superiore a 15 m/s. Far atterrare l'aeromobile il più presto possibile qualora l'app DJI Pilot ne richieda la necessità.

## 2. Elenco dei controlli preliminari

- Accertarsi che le batterie del radiocomando e dell'aeromobile siano completamente cariche.
- Assicurarsi che le eliche siano in buone condizioni e serrate saldamente prima di ogni volo.
- Accertarsi che i motori non siano ostruiti. Verificare che i motori siano puliti e privi di macchie.
- Verificare che l'obiettivo della videocamera sia pulito e privo di macchie.
- Compilare l'elenco dei controlli preliminari visualizzato nell'app DJI Pilot. Calibrare la bussola e l'IMU quando l'app DJI Pilot o l'indicatore di stato lo richiedono.
- Assicurarsi che il numero di satelliti GPS non sia inferiore a 6 nell'app DJI Pilot.
- L'alterazione o la modifica delle parti dell'aeromobile può influire sulla sua stabilità. Seguire rigorosamente le istruzioni ufficiali di DJI per collegare apparecchiature esterne compatibili e assicurarsi che il peso complessivo dell'aeromobile non superi i 9 kg una volta effettuato l'attacco. Assicurarsi che le apparecchiature esterne siano montate nella posizione corretta come indicato nelle istruzioni ufficiali, onde evitare lo spostamento del centro di gravità dell'aeromobile.
- Accertarsi che il sistema di visione, i sensori a infrarossi, le videocamere FPV e l'obiettivo delle luci ausiliarie siano puliti e privi di macchie o impronte digitali e che non siano ostruiti in alcun modo (ad es. per carico montato).
- Accertarsi che i bracci del telaio siano completamente aperti e che sia i suddetti, sia i carrelli di atterraggio siano fissati in posizione.
- Accertarsi che le protezioni in gomma siano ben inserite quando le porte dell'aeromobile e del radiocomando non vengono utilizzate.
- Accertarsi che tutte le ventole di raffreddamento dell'aeromobile siano prive di corpi estranei e che non vi siano ostruzioni sulla presa d'aria e sul bocchettone. Assicurarsi inoltre che le ventole funzionino senza rumori anomali.

## 3. Grado di protezione IP45

In condizioni stabili di laboratorio, l'M300 RTK raggiunge un grado di protezione IP45 secondo gli standard IEC60529, se dotato di batterie di volo intelligente TB60. Tuttavia, tale grado di protezione non è permanente e può ridursi nel tempo dopo un utilizzo prolungato.

- NON volare se le precipitazioni superano i 100 mm giornalieri.
- NON ripiegare i bracci del telaio sotto la pioggia.
- Accertarsi che le porte della batteria, del vano batteria, e le superfici degli stessi, siano asciutte prima di inserire le batterie.
- Accertarsi che le porte e le superfici della batteria siano prive di liquidi prima di ricaricarla.
- Prima di sistemare l'aeromobile nella custodia da trasporto, assicurarsi che sia ben asciutto pulendolo accuratamente.
- La garanzia del prodotto non copre i danni causati dall'acqua.

\* La limitazione dell'altitudine di volo varia in base alla giurisdizione. NON volare ad altitudini superiori a quelle consentite dalle normative e leggi locali.



Il drone MATRICE™ 300 RTK (M300 RTK) di DJI™ NON è un giocattolo e pertanto non è adatto all'uso da parte di minori di diciotto anni. Si prega di notare che la sezione "Sicurezza in sintesi" fornisce solo una breve panoramica dei suggerimenti in materia di sicurezza. Assicurarsi di leggere e comprendere tutte le sezioni di questo documento.

L'aeromobile non raggiunge il grado di protezione IP45 nelle seguenti circostanze:

- I bracci del telaio sono richiusi.
- Vengono utilizzate batterie diverse dalle batterie di volo intelligenti TB60 per droni M300 RTK.
- Le protezioni delle porte non sono fissate correttamente.
- La chiusura sulla parte superiore della scocca non è fissata correttamente.
- L'aeromobile è rotto a causa di vari motivi, ad esempio rottura della scocca, guasto dell'adesivo impermeabile, ecc.

## 4. Funzionamento

- NON far decollare l'aeromobile da un veicolo in movimento.
- Per evitare di compromettere la vita di utilizzo dei motori, non decollare o atterrare su aree sabbiose o polverose.
- Tenersi a debita distanza da eliche e motori in funzione.
- Tenere sempre l'aeromobile nel proprio campo visivo.
- Per arrestare i motori durante il volo, tirare a sé entrambe le leve del radiocomando verso gli angoli interni o esterni.
- Lo spegnimento dei motori durante il volo potrebbe causare la caduta dell'aeromobile. È possibile spegnere il motore in volo solo qualora la centralina di volo rilevasse un errore critico.
- Anche se l'aeromobile è dotato di tecnologia avanzata, durante il volo è necessario che il pilota presti attenzione ai segnali acustici. Le funzioni di sicurezza e di assistenza al volo come l'aggiramento degli ostacoli, l'atterraggio di precisione e l'atterraggio sicuro, sono progettate per assistere nelle operazioni, non per sostituirle. Condizioni ambientali come l'illuminazione e la struttura superficiale degli ostacoli possono influire sulle prestazioni del sistema di visione.
- NON rispondere a telefonate o messaggi in arrivo ed evitare tutto ciò che potrebbe alterare l'attenzione verso l'uso del dispositivo mobile, onde mantenere il pieno controllo dell'aeromobile durante il volo. NON utilizzare l'aeromobile sotto l'effetto di alcool o droghe.
- NON sorvolare superfici riflettenti, come acqua o neve, in quanto il riflesso potrebbe interferire sul corretto funzionamento del sistema di visione.
- Nel caso di un avviso di batteria scarica, far atterrare immediatamente l'aeromobile in un luogo sicuro.
- Durante la procedura Failsafe RTH, l'aeromobile non sarà in grado di evitare gli ostacoli se le condizioni di luce non sono buone. È possibile uscire dalla procedura RTH e utilizzare l'aeromobile quando si dispone nuovamente del segnale del radiocomando. Prima di ogni volo, è importante impostare un'altitudine Failsafe idonea.
- Dopo l'atterraggio, arrestare dapprima il motore, quindi spegnere la batteria di volo intelligente e successivamente il radiocomando.
- Anche se dotato di tecnologia avanzata, durante il volo è richiesta l'attenzione ai segnali sonori inviati dall'app DJI Pilot. Le funzioni di sicurezza e di assistenza al volo come l'aggiramento degli ostacoli, l'atterraggio di precisione e l'atterraggio sicuro, sono progettate per assistere nelle operazioni, non per sostituirle. Condizioni ambientali come l'illuminazione e la struttura superficiale degli ostacoli possono influire sulle prestazioni del sistema di visione. Si prega di impostare l'altitudine di ritorno automatico più alta rispetto agli ostacoli circostanti nell'app DJI Pilot.
- La funzione Landing Protection (Atterraggio sicuro), rileva se il terreno è adatto all'atterraggio a un'altitudine di due metri dal suolo e viene utilizzata per ottimizzare l'esperienza operativa. Prestare sempre attenzione durante l'utilizzo dell'aeromobile poiché il sistema di visione potrebbe disattivarsi in determinate situazioni

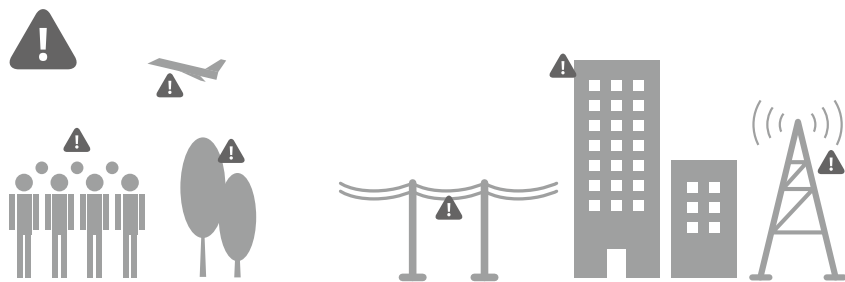
(ad esempio in ambienti con scarsa illuminazione o nell'incontrare ostacoli a trame non definita) e potrebbe non risultare possibile il rilevamento del suolo.

## 5. Manutenzione e conservazione

- NON utilizzare eliche usurate, scheggiate o rotte.
- Si consiglia di conservare l'aeromobile e le batterie in un luogo fresco e asciutto con temperature comprese tra 22 °C e 30 °C ed evitare l'esposizione alla luce diretta del sole.
- Per ulteriori informazioni sull'uso sicuro della batteria, consultare la sezione relativa alle direttive sulla sicurezza della batteria di volo intelligente.

## 6. Rispetto delle leggi e normative locali

- NON sorvolare zone GEO. È possibile trovare informazioni pertinenti su queste aree all'indirizzo <http://flysafe.dji.com/>. Contattare le autorità aeronautiche locali per ottenere un elenco completo e conoscere le normative vigenti nelle zone GEO.
- La limitazione dell'altitudine di volo varia in base alle normative locali. NON volare ad altitudini superiori a quelle consentite dalle normative e leggi locali.
- Evitare di volare in spazi aerei utilizzati da squadre di soccorso operative.

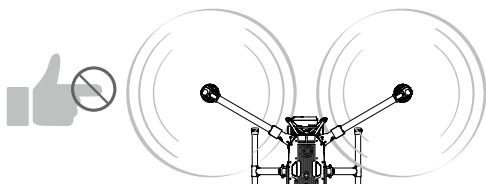


Evitare di sorvolare o avvicinarsi a folle, alberi o aeroporti.

Forti fonti elettromagnetiche come linee elettriche, stazioni base e edifici alti possono influire sulla bussola di bordo. Stare sempre attenti alle zone circostanti durante il volo.



NON volare in condizioni meteorologiche avverse, come in presenza di pioggia, neve, nebbia e con una velocità del vento superiore a 15 m/s o 33.5 mph.



Tenersi a debita distanza da eliche e motori in funzione.



Ulteriori informazioni sono disponibili su:  
<https://flysafe.dji.com>

## AVVISO

Tutte le istruzioni e altri documenti complementari sono soggetti a modifica a sola discrezione di SZ DJI TECHNOLOGY CO., LTD ("DJI"). Per informazioni aggiornate su questo prodotto, visitare <http://www.dji.com> e controllare la pagina sui prodotti.

## Glossario

I seguenti termini sono utilizzati con riferimento al prodotto per indicare diversi livelli di danni potenziali che potrebbero verificarsi durante il funzionamento dello stesso.

**AVVISO** Procedure che, se non eseguite correttamente, potrebbero determinare il rischio di danni materiali E infortuni di lieve entità o nessun infortunio.

**AVVERTENZA** Procedure che, se non eseguite correttamente, determinano la probabilità di danni materiali E il rischio di infortuni gravi.

**ATTENZIONE** Procedure che, se non eseguite correttamente, determinano la probabilità di danni materiali, danni collaterali e infortuni gravi OPPURE determinano un'elevata probabilità di infortuni gravi.



### ATTENZIONE

**Leggere per INTERO il manuale d'uso per acquisire familiarità con le caratteristiche del prodotto prima di utilizzarlo. L'utilizzo non corretto del prodotto come previsto dal manuale d'uso potrebbe causare danni al prodotto e a beni personali e provocare infortuni gravi.**

**Il presente è un prodotto sofisticato. Deve essere utilizzato in maniera attenta e responsabile e richiede la familiarità con nozioni base di meccanica. Il mancato utilizzo del prodotto in modo sicuro e responsabile può causare infortuni personali o danni materiali o al prodotto. Il prodotto non è destinato all'uso da parte di bambini. NON utilizzare con componenti incompatibili né alterare il prodotto in alcun modo al di fuori di quanto previsto dalla documentazione pertinente fornita da SZ DJI TECHNOLOGY CO., LTD. Le presenti direttive sulla sicurezza contengono istruzioni relative alla sicurezza, all'uso e alla manutenzione del prodotto. È importante leggere e seguire tutte le istruzioni e le avvertenze contenute nel manuale d'uso prima dell'assemblaggio, dell'installazione o dell'utilizzo, al fine di azionare correttamente il prodotto ed evitare danni o infortuni gravi.**

**RACCOMANDAZIONE SULL'ETÀ: NON ADATTO PER I BAMBINI DI ETÀ INFERIORE AI 18 ANNI. IL PRESENTE NON È UN GIOCATTOLO.**

## Elenco dei controlli preliminari

1. Assicurarsi di utilizzare esclusivamente parti originali e che siano tutte in ottime condizioni.
2. Assicurarsi che il radiocomando, la batteria di volo intelligente e il dispositivo mobile siano completamente carichi.
3. Prima dell'assemblaggio, accertarsi che non siano presenti oggetti estranei sull'obiettivo, che la scheda microSD sia stata inserita nella fotocamera stabilizzata e che il movimento dello stabilizzatore non sia ostacolato.
4. Accertarsi che le eliche e le viti di montaggio siano montate saldamente sui motori e che i suddetti possano avviarsi e funzionare normalmente.
5. Seguire le istruzioni visualizzate per calibrare la bussola.
6. Assicurarsi che l'app DJI Pilot e il firmware dell'aeromobile siano stati aggiornati alla versione più recente.
7. Assicurarsi che l'area di volo sia al di fuori delle zone GEO e che le condizioni di volo siano adatte al volo dell'aeromobile.
8. Assicurarsi di NON operare l'aeromobile sotto l'effetto di alcol, droghe o altre sostanze che potrebbero compromettere le proprie capacità cognitive.
9. Prendere dimestichezza con la modalità di volo selezionata e comprendere tutte le funzioni e gli avvisi di sicurezza.
10. Assicurarsi di osservare tutte le normative locali, di ottenere le autorizzazioni appropriate e di comprendere i rischi. **IMPORTANTE:** Il rispetto delle normative vigenti è di responsabilità esclusiva dell'utente.
11. Si prega di **TENERE SEMPRE L'AEROMOBILE NEL PROPRIO CAMPO VISIVO**. Si prega di NON fare affidamento esclusivamente sulla vista in soggettiva (FPV) per controllare l'aeromobile.
12. Assicurarsi che l'app DJI Pilot sia avviata correttamente per assistere nell'uso dell'aeromobile. Senza i dati di volo registrati dall'app DJI Pilot, in determinate situazioni (tra cui la perdita dell'aeromobile), DJI potrebbe non essere in grado di fornire assistenza post-vendita o assumersi la responsabilità.
13. Verificare sempre le prestazioni in volo dell'aeromobile prima di eseguire un volo con un carico. Assicurarsi che il peso

totale al decollo non superi le normali specifiche. Far decollare l'aeromobile in assenza di forti vibrazioni meccaniche, interferenze elettromagnetiche od ostruzioni del sistema di visione o dei sensori a infrarossi.

14. Accertarsi che il sistema di visione, i sensori a infrarossi, le videocamere FPV e le luci ausiliarie siano puliti e privi di macchie o impronte digitali e che non siano ostruiti in alcun modo (ad esempio, per la presenza di carichi montati).
15. Accertarsi che i bracci del telaio siano completamente aperti e che sia i suddetti, sia i carrelli di atterraggio siano fissati in posizione.
16. Accertarsi che il tappo di gomma sia inserito saldamente quando le porte dell'aeromobile e del radiocomando non vengono utilizzate.
17. Accertarsi che tutte le ventole di raffreddamento dell'aeromobile siano prive di corpi estranei e che non vi siano ostruzioni sulla presa d'aria e sui bocchettone. Assicurarsi inoltre che le ventole funzionino senza produrre rumori anomali.

## Limitazioni di responsabilità e avvertenze

Questo prodotto NON è un giocattolo e non è pertanto adatto ai minori di 18 anni. Gli adulti dovrebbero tenere il velivolo fuori della portata dei bambini ed esercitare la dovuta cautela nell'azionarlo in presenza di bambini.

Anche se il prodotto si avvale di tecnologie avanzate, il suo uso improprio potrebbe provocare infortuni per persone o danni alle cose. Si prega di leggere la documentazione relativa al prodotto prima dell'utilizzo. La presente documentazione è inclusa nella confezione del prodotto ed è inoltre disponibile online alla pagina dei prodotti DJI, all'indirizzo <http://www.dji.com>.

Le informazioni contenute nel presente documento riguardano la sicurezza, i diritti e le responsabilità legali degli utenti. Leggere attentamente l'intero documento per configurare correttamente il dispositivo prima dell'uso. La mancata lettura del presente documento e l'inosservanza delle istruzioni e delle avvertenze in esso contenute potrebbero influire sulle prestazioni del prodotto, o provocare gravi infortuni personali o danni all'aeromobile.

Utilizzando questo prodotto, l'utente dichiara di aver letto e compreso le limitazioni di responsabilità e di accettare e rispettare i termini e le condizioni ivi specificati. SALVO QUANTO ESPRESSAMENTE PREVISTO NELLE CONDIZIONI POST-VENDITA DJI, DISPONIBILI SU ([HTTP://WWW.DJI.COM/POLICY](http://WWW.DJI.COM/POLICY)), IL PRODOTTO E TUTTI I MATERIALI E I CONTENUTI DISPONIBILI IN MERITO AD ESSO SONO FORNITI "COSÌ COME SONO" E "IN BASE ALLA DISPONIBILITÀ", SENZA GARANZIA O CONDIZIONE DI ALCUN TIPO, ESPRESSE O IMPLICITE. DJI NON RILASCIÀ GARANZIE DI ALCUN TIPO, FATTO SALVO PER QUELLE ESPRESSAMENTE PREVISTE NELLE CONDIZIONI POST-VENDITA DJI. ESPRESSE O IMPLICITE, RELATIVAMENTE AL PRODOTTO, AI SUOI ACCESSORI E A TUTTI I MATERIALI, TRA CUI: (A) GARANZIE IMPLICITE DI COMMERCIALITÀ, IDONEITÀ A UNO SCOPO PARTICOLARE, TITOLO, PACIFICO GODIMENTO, O NON VIOLAZIONE; E (B) GARANZIE ASCRIVIBILI A TRATTATIVE, ALL'UTILIZZO O ALLA PRATICA COMMERCIALE. DJI NON RILASCIÀ GARANZIE, FATTO SALVO PER LA GARANZIA LIMITATA DJI ESPRESSAMENTE FORNITA, CHE IL PRODOTTO, I SUOI ACCESSORI O QUALSIASI PARTE DEL PRODOTTO O MATERIALE SARÀ ININTERROTTO, SICURO O PRIVO DI ERRORI, VIRUS O ALTRI COMPONENTI DANNOSI; INOLTRE NON GARANTISCE CHE TALI EVENTUALI PROBLEMI SARANNO RISOLTI.

NESSUNA INFORMAZIONE O CONSIGLIO, VERBALE O SCRITTO, OTTENUTO DALL'UTENTE DEL PRODOTTO, DEI SUOI ACCESSORI O DI ALTRO MATERIALE DARÀ LUOGO AD ALCUNA GARANZIA RELATIVA A DJI O AL PRODOTTO CHE NON SIA ESPRESSAMENTE INDICATA IN QUESTI TERMINI. L'UTENTE SI ASSUME TUTTI I RISCHI PER I DANNI CHE POSSONO DERIVARE DALL'USO O DALL'ACCESSO AL PRODOTTO, AGLI ACCESSORI DEL PRODOTTO E AI MATERIALI. L'UTENTE RICONOSCE E ACCETTA DI UTILIZZARE IL PRODOTTO A PROPRIA DISCREZIONE E RISCHIO E DI ESSERE IL SOLO RESPONSABILE PER EVENTUALI INFORTUNI PERSONALI, DECESSO, DANNI A MATERIALI DI SUA PROPRIETÀ (TRA CUI IL PROPRIO SISTEMA INFORMATICO O DISPOSITIVO MOBILE O L'HARDWARE DJI UTILIZZATO INSIEME AL PRODOTTO), O A BENI TERZI, O PERDITA DI DATI DERIVANTE DALL'USO DEL PRODOTTO O DALL'INCAPACITÀ DI UTILIZZARE LO STESSO.

EVENTUALI NORMATIVE POTREBBERO NON CONSENTIRE LE LIMITAZIONI DI RESPONSABILITÀ DI ALCUNE GARANZIE E L'UTENTE POTREBBE GODERE DI ALTRI DIRITTI CHE VARIANO DA PAESE A PAESE.

DJI declina ogni responsabilità per danni, infortuni o altre responsabilità legali direttamente o indirettamente imputabili all'utilizzo del presente prodotto. L'utente è tenuto a osservare pratiche di condotta sicure e legittime, ivi comprese, a titolo esemplificativo ma non esaustivo, quelle esposte nelle direttive sulla sicurezza ivi riportate.

## Archiviazione e utilizzo dei dati

Durante l'utilizzo della nostra applicazione mobile, dei nostri prodotti o

di altri software, i dati relativi all'utilizzo e al funzionamento del prodotto, come quelli concernenti la telemetria di volo (come velocità, altitudine, durata della batteria e informazioni su stabilizzatore e fotocamera) e delle operazioni, possono essere forniti a DJI. Il dispositivo di archiviazione interno integrato nel prodotto memorizza vari tipi di dati, tra cui quelli sulla telemetria di volo. L'utente può anche fornire dati sulla telemetria di volo e di altro tipo quando ci trasmette manualmente tali informazioni dal dispositivo di archiviazione interno.

Per ulteriori informazioni fare riferimento all'Informativa sulla privacy DJI (disponibile all'indirizzo [dji.com/policy](http://dji.com/policy)).

## Prima di cominciare

Il presente prodotto è un aeromobile di facile utilizzo quando si trova in buono stato di funzionamento, come illustrato di seguito. Visitare <http://www.dji.com> per conoscere le istruzioni e le avvertenze aggiornate e <http://knowbeforeyoufly.org/> per ulteriori informazioni sulla sicurezza in volo e sulla conformità alle disposizioni vigenti.

I documenti seguenti sono stati prodotti per aiutare l'utente a operare in totale sicurezza e sfruttare pienamente le potenzialità dell'aeromobile: Contenuto della confezione

Limitazioni di responsabilità e direttive sulla sicurezza  
Direttive sulla sicurezza della batteria di volo intelligente  
Guida rapida  
Manuale d'uso

Controllare tutte le parti incluse elencate della sezione "Contenuto della confezione" e leggere le limitazioni di responsabilità e direttive sulla sicurezza prima del volo. Successivamente, prepararsi al primo volo utilizzando la Guida rapida e guardando tutti i video tutorial disponibili sul sito web ufficiale di DJI (<http://www.dji.com>). In caso di domande, consultare il Manuale d'uso nell'app o sul sito web ufficiale di DJI per ottenere informazioni più esaurienti. Assicurarsi di comprendere appieno la funzionalità di ogni singola parte, i requisiti delle condizioni di volo, le funzioni/i sistemi di avviso di emergenza principali e tutte le normative governative prima di ogni volo. Per eventuali domande o problemi relativi al montaggio, alla manutenzione o all'utilizzo di questo prodotto, contattare DJI o un distributore autorizzato DJI.

## Componenti

### Per quanto riguarda le parti originali e funzionali

#### **ATTENZIONE**

Per evitare anomalie dei componenti, infortuni gravi e danni materiali, osservare le seguenti regole:

1. Utilizzare esclusivamente componenti originali DJI o certificati da DJI. Componenti non autorizzati o prodotti forniti da costruttori sprovvisti di certificazione DJI possono causare il funzionamento anomalo del sistema e comprometterne la sicurezza.
2. Assicurarsi che non vi siano oggetti estranei (come acqua, olio, terra, sabbia, ecc.) all'interno dell'aeromobile o dei suoi componenti.
3. Accertarsi che l'aeromobile e i suoi componenti, incluso ma non solo, il radiocomando, la videocamera, lo stabilizzatore, la bussola, il sistema di propulsione e la batteria, siano in buono stato, privi di danni e funzionino correttamente. Fare riferimento alle restanti sezioni di questo documento per maggiori dettagli su come garantire la funzionalità di questi componenti.
4. NON modificare o alterare l'aeromobile, i suoi componenti e le parti. Le modifiche non autorizzate possono causare anomalie e compromettere la funzionalità e la sicurezza dell'aeromobile.
5. Accertarsi che tutte le ventole di raffreddamento dell'aeromobile siano prive di corpi estranei e che non vi siano ostruzioni sulla presa d'aria e sul bocchettone.
6. Tutti gli accessori da utilizzare con l'M300 RTK, come gli stabilizzatori o il radar CSM, devono essere utilizzati esclusivamente con l'aeromobile. In unione si assumono la piena responsabilità per i danni causati dall'uso degli accessori con altri prodotti non ufficiali.
7. NON utilizzare cavi non DJI per collegare le porte dell'aeromobile, in quanto si potrebbero causare anomalie del sistema e comprometterne la sicurezza.

### Sistema di trasmissione video

#### **AVVISO**

1. Abilitare la modalità personalizzata esclusivamente sotto la guida di professionisti. In caso contrario, il segnale di trasmissione video potrebbe venire rallentato o interrotto in seguito a interferenze.

### Radiocomando

#### **AVVISO**

1. Assicurarsi che il radiocomando Smart Controller sia completamente carico prima di ogni volo.
2. Se Smart Controller è acceso e il touchscreen è spento per cinque

minuti, verrà emesso un segnale di avviso. Dieci secondi dopo il segnale di avviso, il radiocomando si spegnerà automaticamente. Per spegnere il segnale di allarme, muovere le leve o eseguire un'altra azione.

3. Verificare che le antenne siano aperte e posizionate in modo da ottenere una qualità di trasmissione ottimale.
4. Contattare l'assistenza DJI per riparare o sostituire le antenne se sono danneggiate. Le antenne danneggiate ridurranno notevolmente le prestazioni.
5. Collegare nuovamente il radiocomando e l'aeromobile se si cambia quest'ultimo.
6. Assicurarsi di spegnere l'aeromobile prima del radiocomando.
7. Caricare completamente Smart Controller ogni tre mesi.
8. Caricare immediatamente Smart Controller quando il suo livello di carica scende al 10%, onde evitare danni dovuti a uno scaricamento eccessivo per un periodo prolungato. Scaricare Smart Controller fino a un livello di carico compreso tra il 40% e il 60% se si intende conservarlo per un lungo periodo.
9. NON coprire il bocchettone presente su Smart Controller. In caso contrario, il radiocomando potrebbe surriscaldarsi, con possibili conseguenze sulle prestazioni.
10. NON smontare Smart Controller senza l'assistenza di un distributore autorizzato DJI. Contattare sempre DJI o un distributore autorizzato DJI per sostituire i componenti del radiocomando.
11. NON bloccare il GPS integrato. Nei casi in cui è installata la staffa di montaggio su schermo per DJI Smart Controller Enterprise (qui di seguito "staffa di montaggio"), rimuoverla e riprovare se il segnale GPS è scarso.
12. Per evitare l'usura delle protezioni per le leve, NON smontare frequentemente queste ultime.

## Bussola

### **AVVERTENZA**

Per evitare eventuali infortuni gravi e danni materiali, osservare le seguenti regole:

1. Far atterrare immediatamente l'aeromobile in caso di difficoltà di controllo del volo.
2. NON volare in ambienti soggetti a forti interferenze elettromagnetiche o spazio con molti ostacoli.
3. Se l'app DJI Pilot richiederà la calibrazione della bussola prima del decollo, si prega di effettuare il decollo dopo la calibrazione in un ambiente privo di interferenze elettromagnetiche.

### **AVVISO**

Calibrare la bussola solo quando l'app DJI Pilot o l'indicatore di stato lo richiedono. Osservare le seguenti regole durante la calibrazione della bussola:

1. NON calibrare la bussola in presenza di interferenze magnetiche, come interferenze da magnetite, strutture di parcheggio o rinforzi in acciaio sotterranei.
2. NON portare con sé materiali ferromagnetici, come telefoni cellulari, durante la calibrazione.
3. L'app DJI Pilot chiederà di risolvere il problema della bussola se la suddetta è influenzata da forti interferenze al termine della calibrazione. Seguire le istruzioni visualizzate per risolvere il problema.

## Sistemi di propulsione

### **ATTENZIONE**

Per evitare gravi infortuni a se stessi o agli altri, che possono essere causati dalle eliche rotanti e dai motori in funzione, osservare le seguenti regole:

### Eliche

1. NON utilizzare eliche usurate, scheggiate o rotte.
2. Spegnerle sempre l'aeromobile prima di toccare le eliche.
3. Prestare attenzione ai bordi taglienti delle eliche durante il montaggio o la rimozione delle eliche. Indossare guanti o prendere altre misure di protezione quando si toccano le eliche.
4. Se necessario, utilizzare strumenti (ad es. chiave inglese, cacciavite, pinze, ecc.) per rimuovere o installare le eliche.
5. Assicurarsi che le eliche e le viti di montaggio siano montate saldamente per evitare che cadano dai motori.
6. NON accendere i motori quando le eliche sono montate e ci sono altre persone o animali nelle immediate vicinanze.
7. L'uso di eliche di terze parti può compromettere l'aerodinamica dell'aeromobile. Per un'esperienza di volo migliore e più sicura, consigliamo di utilizzare esclusivamente eliche DJI originali.
8. Strofinare le eliche per farle asciugare prima di ogni volo in cui la

temperatura circostante è di circa 0 °C (32 °F), onde evitare che le eliche si ghiaccino.

#### Motori

1. Accertarsi che i motori siano montati correttamente e girino senza difficoltà.
2. Accertare la corretta installazione e verificare che il motore funzioni normalmente prima di ogni volo. Se i fori di ventilazione sui motori sono bloccati, sbloccarli prima del volo. In caso di usura, danni o deformazione della copertura protettiva, contattare DJI o un distributore autorizzato DJI.
3. **NON tentare di modificare la struttura dei motori.**
4. **NON toccare o lasciare che le mani o altre parti del corpo entrino in contatto con i motori dopo il volo, in quanto questi ultimi potrebbero essere molto caldi.**

#### Controlli elettronici della velocità

1. Se necessario prima di ogni volo, seguire le istruzioni dell'app per correggere le anomalie dei controlli elettronici della velocità.
2. Si prega di far atterrare l'aeromobile se l'app DJI Pilot indica che c'è qualche problema nei controlli elettronici della velocità (ad es. sovratemperatura, bassa tensione o sovraccarico).

#### AVVERTENZA

Per evitare eventuali infortuni gravi e danni materiali, osservare le seguenti regole:

1. NON ostruire i fori di ventilazione presenti sui motori.
2. NON ostruire i fori di ventilazione presenti sul braccio del telaio dell'aeromobile.

#### AVVISO

#### Motori

1. Per evitare di influire sulla durata del motore, non far decollare o atterrare l'aeromobile su aree sabbiose o polverose.
2. Mantenere i motori privi di polvere e assicurarsi che le prese d'aria dei motori non siano bloccate.
3. Se un motore è bloccato e non è in grado di girare liberamente, eseguire il comando a stick combinati (CSC), per arrestare immediatamente i motori.

#### Controlli elettronici della velocità

Assicurarsi che i controlli elettronici della velocità emettano un suono normale quando sono accessi.

#### App DJI Pilot

#### AVVISO

1. Assicurarsi di caricare completamente il tablet o il dispositivo mobile (se in uso), prima di avviare l'app.
2. Se si utilizza un telefono come dispositivo di visualizzazione mobile, assicurarsi di continuare a volare in sicurezza quando il telefono riceve una chiamata in arrivo. **NON** accettare telefonate durante il volo.
3. Durante l'utilizzo dell'app DJI Pilot, è necessario disporre di dati del dispositivo mobile. Contattare il gestore di telefonia mobile locale per conoscere il costo del traffico dati.
4. Leggere con attenzione i consigli di sicurezza, i messaggi di avviso e le limitazioni di responsabilità visualizzate. Acquisire familiarità con le normative locali vigenti. È esclusiva responsabilità dell'utente informarsi sulle normative applicabili in materia di volo e mantenere una condotta conforme alle stesse.
  - a. Leggere e comprendere i messaggi di avviso prima di ripristinare la posizione iniziale.
  - b. Leggere e comprendere i messaggi di avviso e le limitazioni di responsabilità prima di impostare un'altitudine superiore al limite normativo.
  - c. Leggere e comprendere i messaggi di avviso e le limitazioni di responsabilità prima di passare da una modalità di volo a un'altra.
5. Fare atterrare immediatamente l'aeromobile in un luogo sicuro se sull'app è visualizzato un avviso.
6. Esaminare e verificare tutti i messaggi di avviso nell'elenco di controllo visualizzato nell'app prima di ogni volo.
7. Utilizzare DJI ASSISTANT™ 2 per affinare le proprie capacità di volo qualora non si avesse mai utilizzato l'aeromobile o NON ci si sentisse sufficientemente sicuri nel pilotarlo.
8. Salvare nella cache i dati di mappatura della zona che si intende sorvolare, connettendosi alla rete internet prima di ogni volo.
9. L'app è progettata per assistere l'utente durante l'utilizzo dell'aeromobile. Si prega di usare la propria discrezione per controllare l'aeromobile, e NON fare affidamento sull'app.
10. L'utilizzo dell'app è soggetto ai termini di utilizzo dell'app DJI Pilot e all'Informativa sulla privacy di DJI. Leggerne attentamente il contenuto visualizzato nell'app.

#### Firmware

#### ATTENZIONE

Per evitare infortuni gravi a bambini e animali, osservare la seguente regola:

1. Tenere bambini e animali a distanza di sicurezza durante gli aggiornamenti del firmware, la calibrazione del sistema e le procedure di impostazione dei parametri.

#### AVVISO

1. Per motivi di sicurezza, quando nell'app DJI Pilot è visualizzata una notifica di aggiornamento, aggiornare sempre il firmware alla versione più recente.
2. Le notifiche di aggiornamento del firmware informeranno in merito ai nuovi aggiornamenti del firmware. È necessario leggere e comprendere le informazioni visualizzate.
3. Assicurarsi di aggiornare il firmware del radiocomando all'ultima versione dopo aver aggiornato il firmware dell'aeromobile.
4. Dopo l'aggiornamento, il radiocomando potrebbe risultare disconnesso dall'aeromobile.
5. Verificare tutti i collegamenti e rimuovere le eliche dai motori prima di eseguire l'aggiornamento del firmware.

#### SDK

#### AVVISO

1. Prima di utilizzare DJI SDK, è necessario accettare i termini di utilizzo di DJI SDK e l'informativa sulla privacy di DJI. I presenti termini di utilizzo e l'informativa sulla privacy limitano alcune delle responsabilità legali di DJI; si prega di leggerli attentamente all'indirizzo <https://developer.dji.com/policies/>.

#### Fotocamera (opzionale)

#### ATTENZIONE

Per evitare eventuali infortuni gravi e danni materiali, osservare le seguenti regole:

1. **NON** ostruire i fori di ventilazione presenti sulla fotocamera, in quanto il calore generato potrebbe danneggiare il dispositivo e causare infortuni all'operatore.

#### AVVISO

1. Prima dell'uso, controllare le impostazioni della fotocamera per assicurarsi che siano regolate in base alle proprie esigenze.
2. Verificare il funzionamento della fotocamera scattando alcune immagini di prova e verificare che funzioni correttamente prima di scattare foto o registrare video importanti.
3. **NON** rimuovere la scheda microSD dalla fotocamera stabilizzata mentre è accesa. Utilizzare le schede microSD consigliate ufficialmente.
4. Accertarsi di aver spento correttamente la batteria di volo intelligente; in caso contrario, i parametri della fotocamera NON saranno salvati e i video registrati potrebbero risultare danneggiati.
5. DJI declina ogni responsabilità per eventuali foto o riprese video non effettuate in maniera illeggibile elettronicamente, a prescindere dalla loro causa.

#### Stabilizzatore (opzionale)

#### AVVISO

1. Gli elementi di precisione dello stabilizzatore possono venire danneggiati da collisioni o impatti, causando il funzionamento anomalo dello stesso.
2. **NON** sottoporre lo stabilizzatore a pressioni dopo l'accensione.
3. **NON** aggiungere carichi allo stabilizzatore, in quanto si può causare il funzionamento anomalo dello stesso o addirittura causare danni al motore.
4. Lo stabilizzatore e il suo connettore sono molto delicati. Maneggiare con cura e **NON** toccare il connettore dello stabilizzatore, poiché eventuali danni potrebbero causare un funzionamento anomalo.
5. Tenere saldamente lo stabilizzatore quando si stacca o si ricollega, in modo che non cada.
6. **NON** collegare o rimuovere lo stabilizzatore con l'aeromobile acceso.
7. Quando si utilizza il sistema a stabilizzatori multipli, assicurarsi di seguire rigorosamente le istruzioni contenute nel manuale d'uso, montando correttamente le fotocamere stabilizzate compatibili compatibili.

#### Cura del prodotto

#### Conservazione e trasporto

#### ATTENZIONE

Per evitare infortuni gravi a bambini e animali, osservare la seguente regola:

1. Le parti di piccole dimensioni, come cavi e cinghie, sono pericolose se ingerite. Mantenerle fuori dalla portata di bambini e animali.

#### AVVISO

1. Caricare e scaricare completamente la batteria regolarmente, onde mantenerla in buone condizioni. Per ulteriori informazioni sull'uso sicuro della batteria, consultare le direttive sulla sicurezza della batteria di volo intelligente.
2. NON far entrare in contatto o immergere la fotocamera in acqua o altri liquidi. Se ciò accade, asciugarla con un panno morbido assorbente. L'accensione di un aeromobile bagnato potrebbe causare danni permanenti ai componenti. NON usare prodotti contenenti alcool, benzene, solventi o altre sostanze infiammabili per la pulizia e manutenzione della fotocamera. NON conservare la fotocamera in aree umide o polverose.
3. Rimuovere lo stabilizzatore dall'aeromobile durante la conservazione per un lungo periodo di tempo o il trasporto su lunghe distanze.
4. NON collegare questo prodotto a interfacce USB precedenti alla versione 2.0. NON collegare questo prodotto ad "alimentatori USB" o dispositivi simili.
5. Per evitare danni alle antenne, i bracci del telaio e le eliche devono essere aperti correttamente durante il trasporto. Posizionare l'aeromobile a terra delicatamente, per evitare danni all'IMU e ad altre parti.

### Manutenzione e conservazione

#### AVVISO

1. Si prega di contattare i centri di assistenza consigliati DJI per l'ispezione o la riparazione del prodotto dopo un incidente o impatto violento. L'uso di aeromobili danneggiati è molto pericoloso e può causare infortuni personali o danni materiali.
2. Caricare e scaricare completamente la batteria regolarmente, onde mantenerla in buone condizioni. Per ulteriori informazioni sull'uso sicuro della batteria, consultare le direttive sulla sicurezza della batteria di volo intelligente.
3. Si consiglia di pianificare regolarmente un servizio di manutenzione, onde garantire la sicurezza e l'affidabilità del volo. Per maggiori informazioni, consultare le Direttive sulla sicurezza della batteria di volo intelligente.
4. Controllare regolarmente gli indicatori del livello di carica della batteria per verificare il livello attuale della batteria e la durata complessiva della stessa. La batteria è stata testata per 200 cicli di ricarica. Non si consiglia di utilizzarla oltre tale periodo. Per ulteriori informazioni sull'uso sicuro e la manutenzione della batteria, consultare le Direttive sulla sicurezza della batteria di volo intelligente.
5. Fare riferimento al manuale di manutenzione per avere informazioni su come effettuare controllo e manutenzione del prodotto dopo un lungo periodo di utilizzo, al fine di conservarlo nelle migliori condizioni possibili e ridurre i potenziali rischi per la sicurezza. La frequenza con cui eseguire la manutenzione dipende dalla frequenza di utilizzo del prodotto, ma la manutenzione deve essere eseguita almeno una volta ogni sei mesi. Il prodotto può anche essere inviato a DJI per la manutenzione. Visitare <https://enterprise.dji.com/enterprise-maintenance> per avere maggiori informazioni.
6. I componenti dell'M300 RTK hanno una vita di utilizzo standard. Dal momento del primo utilizzo, le parti soggette ad usura come le eliche e l'ammortizzatore dello stabilizzatore hanno una vita di utilizzo di 300 ore, mentre i componenti del sistema di propulsione hanno una vita di utilizzo di 900 ore. Potrebbero esserci potenziali rischi per la sicurezza se il prodotto viene utilizzato dopo che la vita di utilizzo è trascorsa. DJI non è responsabile per eventuali rischi che potrebbero derivare dall'utilizzo continuo del prodotto.

### Requisiti delle condizioni di volo

#### Condizioni meteorologiche e ambiente circostante

#### ATTENZIONE

L'aeromobile è stato progettato per operare in condizioni meteorologiche favorevoli o moderate. Per evitare collisioni, infortuni gravi e danni materiali, osservare le seguenti regole:

1. NON usare l'aeromobile in condizioni climatiche difficili, tra cui venti con velocità superiori a 15 m/s, neve, forte pioggia, smog, grandine, fulmini, tornado o uragani.
2. Tenere l'aeromobile ad almeno 10 metri (30 piedi) di distanza da ostacoli, persone, animali, edifici, infrastrutture pubbliche, alberi e specchi d'acqua durante il volo. Stare ancora più lontano dagli oggetti menzionati in precedenza con l'aumento dell'altitudine.
3. Prestare PARTICOLARE attenzione quando si utilizza l'aeromobile in ambienti chiusi. Alcune caratteristiche dell'aeromobile, in particolare la funzione di stabilizzazione, potrebbero risultare

alterate.

4. Assicurarsi di abilitare il sistema di visione durante i voli in ambienti chiusi. Si noti che il sistema di visione potrebbe NON funzionare correttamente quando si vola sull'acqua, su superfici senza una trama definita o in un ambiente buio.

#### AVVISO

1. Le prestazioni dell'aeromobile e della batteria risentono di fattori ambientali quali la densità e la temperatura dell'aria.
  - a. NON utilizzare l'aeromobile quando la temperatura è al di fuori dell'intervallo tra -20 °C e 50 °C.
2. NON utilizzare l'aeromobile in prossimità di incidenti, incendi, esplosioni, alluvioni, tsunami, valanghe, frane, terremoti, polvere o tempeste di sabbia.

### Interferenza con le comunicazioni

#### AVVISO

1. Verificare se qualche parte dell'aeromobile sia stata colpita o sia danneggiata. Contattare l'assistenza DJI o i distributori autorizzati quando necessario.
2. Volare in zone aperte. Edifici alti o strutture in acciaio possono influenzare la precisione della bussola di bordo e interferire con il segnale GPS.
3. Evitare le interferenze tra il radiocomando e altri apparecchi wireless. Accertarsi di aver disattivato il Wi-Fi del proprio dispositivo mobile.
4. Fare particolare attenzione quando si vola in prossimità di zone soggette a interferenze magnetiche od onde radio, tra cui, a titolo ESEMPLIFICATIVO, linee ad alta tensione, centrali elettriche di trasmissione su larga scala, stazioni base di telefonia mobile e torri di radio e telediffusione. Il mancato rispetto di tale precauzione potrebbe compromettere la qualità del sistema di trasmissione del prodotto o causare anomalie nel funzionamento del radiocomando e della trasmissione delle immagini, che a loro volta possono incidere sull'orientamento dell'aeromobile e sull'accuratezza della posizione. In aree eccessivamente cariche di interferenze potrebbe verificarsi un comportamento anomalo dell'aeromobile o perdita di controllo sullo stesso.

### Utilizzo responsabile dell'aeromobile

#### ATTENZIONE

Per evitare infortuni gravi e danni materiali, osservare le seguenti regole:

1. Accertarsi di NON essere sotto l'effetto di alcool, droghe o anestesia, o di non soffrire di vertigini, affaticamento, nausea o altri disturbi fisici o mentali che potrebbero compromettere la capacità di far funzionare l'aeromobile in condizioni di sicurezza.
2. All'atterraggio, spegnere prima l'aeromobile, quindi spegnere il radiocomando.
3. NON far cadere, lanciare, sparare o far altrimenti sporgere carichi pericolosi su o presso edifici, persone o animali o che potrebbero causare infortuni personali o danni materiali.
4. NON utilizzare un aeromobile impattato o colpito accidentalmente o che non è in buone condizioni.

#### AVVISO

1. Assicurarsi di avere seguito una formazione adeguata e di essere pienamente consapevole in merito a eventuali piani di emergenza prima che si verifichino incidenti.
2. Assicurarsi di disporre di un piano di volo e di non operare l'aeromobile in modo sconsiderato.
3. Rispettare la privacy degli altri quando si utilizza la videocamera. Assicurarsi di rispettare le leggi sulla privacy, le normative e gli standard morali locali.
4. NON utilizzare questo prodotto per motivi diversi dall'uso personale generale. NON utilizzarlo per scopi illegali o inappropriati (come spionaggio, operazioni militari o indagini non autorizzate).
5. NON utilizzare questo prodotto per diffamare, abusare, molestare, perseguitare, minacciare o altrimenti violare i diritti legittimi (come il diritto alla privacy e alla pubblicità) di altri.
6. NON sconfinare nella proprietà privata di altri.

### Modalità di volo, funzioni e avvertenze

#### Modalità di volo

#### ATTENZIONE

NON passare dalla modalità P alla modalità S o T, a meno che non si abbia una conoscenza sufficiente del comportamento dell'aeromobile in ciascuna modalità di volo. È necessario attivare l'impostazione "Modalità di volo multiple" nell'app prima di poter passare dalla modalità P ad

altre modalità.

L'aeromobile entrerà automaticamente in modalità Attitude quando sono soddisfatte entrambe le seguenti condizioni: (1) il sistema di visione non è disponibile e (2) il segnale GPS è debole o la bussola subisce interferenze.

In modalità Attitude, il Sistema di visione e alcune funzionalità avanzate sono disabilitati. Pertanto, l'aeromobile non può posizionarsi o frenare automaticamente in questa modalità ed è influenzato facilmente dall'ambiente circostante, il che può provocare uno spostamento orizzontale. Utilizzare il radiocomando per posizionare l'aeromobile.

Può essere difficile manovrare l'aeromobile in modalità Attitude. Prima di passare alla modalità Attitude, assicurarsi di sentirsi a proprio agio a volare in questa modalità. NON far allontanare eccessivamente l'aeromobile, poiché si potrebbe perdere il controllo e causare un potenziale pericolo.

Evitare di volare in aree in cui il segnale GPS è debole o in spazi ristretti e confinati. In caso contrario, l'aeromobile sarà costretto ad entrare in modalità Attitude, causando potenziali rischi di volo; si prega di farlo atterrare in un luogo sicuro il più presto possibile.

#### AVVISO

La modalità P è da preferirsi per la maggior parte degli scenari di volo. Quando si vola in altre modalità, prendere precauzioni EXTRA, in quanto alcune funzionalità NON saranno disponibili. Quando si vola in modalità Attitude, prendere precauzioni EXTRA, in quanto alcune funzionalità NON sono disponibili in modalità Attitude. Quando vola in ambienti chiusi, l'aeromobile non è in grado di eseguire stazionamenti di precisione quando vola sopra le superfici che non hanno una trama definita. Fare riferimento alla sezione "Sistema di visione e sistema di rilevamento a infrarossi" per conoscere i criteri di volo in ambienti chiusi completi.

1. Modalità P (Posizionamento): questa modalità funziona in modo ottimale in presenza di un segnale GPS forte. L'aeromobile utilizza il GPS e il sistema di visione per stabilizzarsi automaticamente.
2. Modalità S (Sport): La modalità S è identica alla modalità P in termini di impostazioni della centralina di volo, tranne per il fatto che i valori di guadagno di manovra dell'aeromobile sono regolati al fine di migliorare la manovrabilità dello stesso. La velocità massima di volo dell'aeromobile aumenta in questa modalità.
3. Modalità T (Trepiede): La modalità T si basa sulla modalità P, ma con una velocità di volo limitata, il che rende più facile il controllo del movimento dell'aeromobile.

#### RTH (Ritorno automatico)

##### AVVISO

1. La funzione RTH potrebbe essere influenzata dalle condizioni atmosferiche, dall'ambiente o da eventuali campi magnetici nelle vicinanze.
2. Assicurarsi di far funzionare l'aeromobile entro la distanza di trasmissione del radiocomando.
3. Premere il pulsante RTH (Return to Home) sul radiocomando per avviare la procedura di ritorno automatico, invece di spegnere il radiocomando. L'aeromobile volerà fino all'ultima posizione iniziale registrata.
4. Durante il volo, se l'aeromobile vola su superfici estremamente scure (<15 lux) o luminose (> 10.000 lux), non sarà in grado di evitare ostacoli. NON fare affidamento sul sistema di visione e fare sempre attenzione quando si ha il controllo dell'aeromobile. Controllare l'aeromobile da soli, se necessario, o premere il pulsante RTH per impedire all'aeromobile di eseguire il ritorno automatico.
5. Gli edifici alti possono influire negativamente sulla funzione Failsafe. È quindi importante impostare un'altitudine Failsafe idonea prima di ogni volo. Si prega di regolare l'altitudine dell'aeromobile durante il ritorno alla posizione iniziale.
6. La funzione RTH NON funziona in caso di segnale GPS insufficiente (segnale GPS inferiore a tre barre) o non attivo.
7. In caso di perdita del segnale del radiocomando e di debolezza del segnale GPS, se l'aeromobile non è in grado di rilevare la posizione iniziale, stazionerà per 8 secondi, per poi atterrare automaticamente se è in modalità "P".
8. Se la durata della batteria lo consente, l'aeromobile potrà dapprima tornare all'ultima posizione in cui era connesso con il radiocomando durante il Failsafe RTH. Di conseguenza, si potrà notare un allontanamento iniziale dell'aeromobile, il quale tornerà successivamente alla posizione iniziale.

#### Livello di carica della batteria basso

##### AVVISO

1. Quando viene attivato l'avviso di livello della batteria critico e l'aeromobile scende automaticamente, è possibile spingere l'acceleratore verso l'alto per mantenere l'altitudine dell'aeromobile

e portarlo in un luogo più appropriato per l'atterraggio.

2. Quando vengono attivati gli avvisi della batteria, riportare immediatamente l'aeromobile alla posizione iniziale o farlo atterrare per evitare di perdere potenza durante il volo e causare danni all'aeromobile, alle proprietà, agli animali e alle persone.

#### D-RTK 2

##### AVVISO

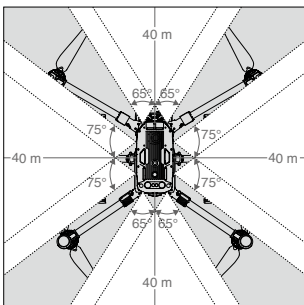
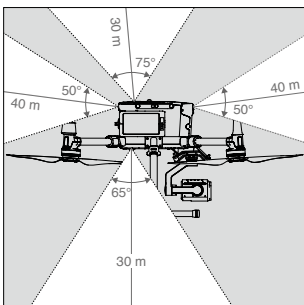
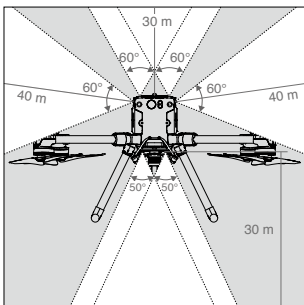
1. Utilizzare esclusivamente componenti originali DJI o certificati da DJI. Componenti non autorizzati o prodotti forniti da costruttori sprovvisti di certificazione DJI possono causare il funzionamento anormale del sistema e comprometterne la sicurezza.
2. Operare l'aeromobile in un ambiente aperto privo di interferenze.
3. NON ostruire le antenne D-RTK 2.

#### Sistema di visione e sistema di rilevamento a infrarossi

##### AVVISO

1. Il sistema di visione funzionerà correttamente ad un'altezza che arriva fino a 30 metri su superfici che presentano una trama ben definita. Il sistema di visione non è in grado di funzionare quando l'aeromobile vola veloce ad altitudini inferiori a 0,5 metri.
2. Il sistema di visione potrebbe NON funzionare correttamente quando l'aeromobile vola sull'acqua. NON fare troppo affidamento sul sistema di visione e utilizzare l'aeromobile con cautela.
3. Il sistema di visione potrebbe NON funzionare correttamente in una o più delle seguenti situazioni:
  - a. In volo su superfici monocromatiche (ad esempio, di colore nero puro, bianco puro, rosso puro, verde puro) o prive di una struttura superficiale chiara.
  - b. In volo su superfici fortemente riflettenti.
  - c. In volo sull'acqua o su superfici trasparenti.
  - d. In volo su superfici od oggetti in movimento (ad es. sopra persone in movimento, canne ondeggianti, arbusti ed erba).
  - e. Volare zone soggette a cambiamenti di illuminazione frequenti o drastici o eccessivamente illuminate.
  - f. In volo su superfici estremamente scure (< 15 lux) o luminose (> 10.000 lux).
  - g. In volo ad alta velocità (oltre 14 m/s a 2 metri o oltre 5 m/s a 1 metro).
  - h. Ostacoli minuscoli.
  - i. L'obiettivo è sporco (ad es., gocce di pioggia, impronte digitali, ecc.).
  - j. Visibilità ridotta (ad es., forte nebbia).
4. Il sistema di rilevamento a infrarossi potrebbe NON rilevare le distanze con accuratezza in una o più delle seguenti situazioni:
  - a. In volo su superfici che possono assorbire le onde sonore (ad es. oggetti color nero opaco).
  - b. In presenza di una vasta area di riflettori forti oltre i 15 m (ad esempio, diversi segnali stradali sono posti affiancati).
  - c. Ostacoli minuscoli
  - d. Specchi od oggetti trasparenti (come specchi, acqua e vetro).
5. La calibrazione del sistema di visione è necessaria in caso di caduta dell'aeromobile. Calibrare il sistema di visione se l'app DJI Pilot richiede di farlo.
6. Evitare di volare in caso di pioggia o nebbia o in altri ambienti circostanti dalla scarsa visibilità (visibilità inferiore a 100 m).
7. Mantenere sempre puliti il sistema di visione e il sistema di rilevamento a infrarossi.
  - a. Rimuovere la pellicola superficiale, gli adesivi e altre ostruzioni.
  - b. Se ci sono gocce d'acqua, impronte digitali, sporco, ecc., strofinarli via prima (utilizzare un panno pulito, non solventi organici come l'alcol).
  - c. In caso di caduta, rottura, usura del vetro superficiale, contattare il servizio di assistenza post-vendita DJI o il distributore locale.
8. NON agganciare o sistemare oggetti in una posizione che ostruisca il sistema di visione e il sistema di rilevamento a infrarossi.
9. Non interferire in alcun modo con il sistema di visione e il sistema di rilevamento a infrarossi (ad esempio, utilizzando una forte fonte di luce per illuminare il sistema di visione o utilizzando riflettori speculari verso il sensore a infrarossi), e assicurarsi che l'obiettivo del sensore sia pulito e privo di macchie.
10. Il sistema di visione e il sistema di rilevamento a infrarossi non sono in grado di frenare e arrestare l'aeromobile a una distanza di sicurezza da un ostacolo se l'angolo di assetto dell'aeromobile è maggiore di 25 gradi o la velocità supera i 17 m/s.
11. Prestare attenzione ai punti ciechi (grigi) del sistema di visione e del sistema di rilevamento a infrarossi. Il raggio di osservazione del sensore a infrarossi è di 8 m.





## Conformità alle normative e zone GEO

### Normative

#### ⚠ ATTENZIONE

Per evitare comportamenti non conformi, infortuni gravi e danni materiali, osservare le seguenti regole:

- NON utilizzare l'aeromobile in prossimità di velivoli con equipaggio a bordo, indipendentemente dall'altitudine di volo. Se necessario, atterrare immediatamente.
- NON sorvolare zone in cui si svolgono grandi eventi, tra cui, a titolo esemplificativo, eventi sportivi o concerti.
- NON sorvolare zone vietate dalle leggi locali.
- NON volare al di sopra dell'altitudine autorizzata. Rimanere ben distanti e NON interferire con le operazioni dei velivoli con equipaggio. Fare sempre attenzione ed evitare altri velivoli e ostacoli.

#### ⚠ AVVERTENZA

Per evitare infortuni gravi e danni materiali, osservare le seguenti regole:

- NON volare in prossimità o all'interno di zone GEO definite da normative e regolamentazioni locali. L'elenco delle zone GEO viene costantemente aggiornato e include: aeroporti, confini tra

Paesi o regioni sovrane, grandi città/regioni, ecc.

- NON volare al di sopra dell'altitudine autorizzata.
- Mantenere SEMPRE l'aeromobile a vista (visual line of sight, VLOS) e avvalersi di un osservatore per assistere, se necessario.
- NON utilizzare MAI l'aeromobile per trasportare merci/carichi utili illegali o pericolosi.

#### AVVISO

- Assicurarsi di comprendere la natura/il tipo delle operazioni di volo (ad esempio per attività ricreative, per uso pubblico o per uso commerciale) e di aver ottenuto l'approvazione e l'autorizzazione pertinenti dalle agenzie governative correlate prima del volo. Consultare le autorità di regolamentazione locali per definizioni complete e requisiti specifici. Per gli utenti dei velivoli negli Stati Uniti, visitare innanzitutto <http://www.knowbeforeyoufly.org/> e adottare le misure appropriate alle circostanze.
- Si noti che in alcuni Paesi e regioni è vietato usare velivoli telecomandati per svolgere attività commerciali. Verificare e rispettare tutte le leggi e le ordinanze vigenti prima di volare, in quanto tali norme possono differire da quelle indicate qui.
- NON operare l'aeromobile in prossimità di infrastrutture o siti quali centrali elettriche, impianti di trattamento delle acque, istituti penitenziari, strade molto trafficate, strutture governative, zone militari, ecc.
- Rispettare la privacy degli altri quando si utilizza la videocamera. NON svolgere operazioni di sorveglianza, quali la ripresa di immagini e la registrazione video aventi per oggetto persone, entità, eventi, spettacoli, esposizioni e altre proprietà, se privi delle necessarie autorizzazioni e nei casi in cui sussista una ragionevole aspettativa di privacy, anche se dette immagini o riprese video sono intese ad uso personale.
- Si prega di notare che in alcune aree, la registrazione di immagini e video di eventi, spettacoli, esposizioni o proprietà commerciali mediante una videocamera può violare il copyright o altri diritti legali, anche se l'immagine o il video sono destinati a uso personale.

### Limitazioni al volo

#### AVVISO

Per DJI la sicurezza è una priorità, è per questo che ha sviluppato diverse soluzioni che assistono gli utenti a volare in modo sicuro. Tali strumenti non garantiscono tuttavia il rispetto di tutte le leggi, normative e limitazioni al volo temporanee in vigore. L'utente è l'unico responsabile per la propria condotta durante l'utilizzo di un drone DJI.

Si consiglia di aggiornare il firmware alla versione più recente per garantire che le seguenti funzionalità siano correttamente aggiornate:

#### Zone GEO

- L'elenco delle zone GEO è riportato sul sito ufficiale DJI <http://www.dji.com/flysafe>. Le zone GEO sono suddivise in diverse categorie e includono, a titolo esemplificativo e non esaustivo, ubicazioni quali aeroporti, campi di volo in cui i velivoli con equipaggio volano a basse altitudini, confini tra Paesi e zone sensibili quali centrali elettriche, oltre che le aree in cui si tengono eventi di grande importanza.
- Le limitazioni al volo variano in base alla zona. In base alle limitazioni previste per una particolare zona, l'app DJI Pilot potrebbe comunicare un avviso di decollo vietato, di altitudine di volo limitata o che funzioni automatiche, come l'atterraggio automatico, potrebbero venire attivate.
- Le funzionalità dell'aeromobile potrebbero venire alterate qualora esso si trovi nelle vicinanze o all'interno di una zona GEO. Tra questi effetti sono inclusi, a titolo esemplificativo e non esaustivo, il possibile rallentamento dell'aeromobile, l'impossibilità di creare un percorso di volo, l'interruzione dell'attività di volo in corso.
- L'utilizzo del prodotto entro una zona GEO non garantisce la conformità a tutte le leggi, normative e limitazioni al volo temporanee in vigore. Rivolgersi al proprio consulente legale o le autorità locali per assicurarsi di volare in conformità alle normative locali.

#### Limite di altitudine

- NON volare a quote superiori a 120 metri (400 piedi) dal suolo e mantenere le distanze da eventuali ostacoli circostanti. L'altitudine massima di volo legale potrebbe essere inferiore in base alle leggi e normative locali. Rispettare rigorosamente tutte le leggi vigenti.
- Se si intende volare oltre il limite di altitudine predefinito, è necessario accettare la dichiarazione di non responsabilità richiesta per abilitare il nuovo limite di altitudine.

# Veiligheid in één oogopslag

## 1. Overwegingen m.b.t. de omgeving

- Vlieg alleen op locaties waar geen gebouwen of andere obstakels aanwezig zijn.
- Vlieg NIET boven of nabij grote drukte.
- Vermijd vliegen op hoogten boven de 120 meter (400 ft).
- Vlieg bij matige weersomstandigheden met temperaturen tussen -20 °C en 50 °C.
- Wees extra voorzichtig met binnen vliegen omdat de stabilisatiefuncties van de drone storing kunnen ondervinden.
- Vlieg NIET wanneer de windsnelheid 15 m/s of 33 mph overschrijdt. Laat de drone zo snel mogelijk landen wanneer de DJI Pilot-app u daarom verzoekt.

## 2. Checklist ter voorbereiding van de vlucht

- Zorg ervoor dat de afstandsbediening en drone-accu's volledig zijn opgeladen.
- Controleer vóór elke vlucht of de propellers in goede staat verkeren en stevig vastzitten.
- Zorg dat niets de motoren blokkeert. Controleer of de motoren schoon en vrij van vlekken zijn.
- Controleer of de lens van de camera schoon is en vrij van vlekken.
- Voltooi de checklist ter voorbereiding van de vlucht die in de DJI Pilot-app wordt weergegeven. Kalibreer het kompas en de IMU alleen wanneer daar in de DJI Pilot-app om wordt gevraagd of wanneer de statusindicator aangeeft dat dat nodig is.
- Zorg ervoor dat het aantal GPS-satellieten in de DJI Pilot-app niet lager is dan 6.
- Het aanpassen of wijzigen van de onderdelen van het vliegtuig kan de stabiliteit beïnvloeden. Volg strikt de officiële instructies van DJI bij het bevestigen van compatibele externe apparatuur en zorg ervoor dat het totale gewicht van het vliegtuig na bevestiging niet meer dan 9 kg bedraagt. Zorg ervoor dat de externe apparatuur op de juiste plaats is gemonteerd, dus niet anders dan als aangegeven in de officiële instructies, om verplaatsing van het zwaartepunt van het vliegtuig te voorkomen.
- Zorg ervoor dat het visiesysteem, de infraroodsensoren, de FPV-camera's en de lenzen van de hulplichten schoon zijn en vrij van vlekken of vingerafdrukken en dat ze niet door onderdelen worden belemmerd (zoals aan de drone bevestigde ladingen).
- Zorg ervoor dat de frame-armen volledig zijn uitgeklapt, alsook dat de frame-armen en de landingsgestellen stevig zijn vergrendeld.
- Zorg ervoor dat wanneer de poorten op de drone en de afstandsbediening niet worden gebruikt, deze stevig met de rubberen doppen zijn afgedekt.
- Controleer of alle koelventilatoren van de drone vrij zijn van vreemde voorwerpen en dat de luchtinlaat en de ventilatieopening niet worden belemmerd. Controleer ook of de ventilatoren werken zonder abnormaal geluid te maken.

## 3. Beschermingsklasse IP45

Onder stabiele omstandigheden in een laboratorium voldoet de M300 RTK aan beschermingsklasse IP45 volgens norm IEC60529, indien uitgerust met TB60 Intelligent Flight Batteries. Deze beschermingsklasse geldt echter niet permanent en kan na verloop van tijd na langdurig gebruik afnemen.

- Vlieg NIET wanneer de hoeveelheid regenval groter is dan 100 mm/24 uur.
- Vouw de framearmen NIET in als het regent.
- Zorg ervoor dat de accuporten, accucompartimentpoorten, accuoppervlakken en accucompartimentoppervlakken droog zijn voordat u de accu's plaatst.
- Zorg ervoor dat de accuporten en accuoppervlakken vrij zijn van vloeistof voordat u de accu's oplaadt.
- Voordat u de drone in de draagtas inpakt, dient u ervoor te zorgen dat deze geen vloeistof bevat door de tas voorzichtig af te vegen.
- De productgarantie dekt geen waterschade.

- De beperkingen met betrekking tot de vlieghoogte verschillen per rechtsgebied. Vlieg NIET boven de maximale hoogten die in de lokale wet- en regelgeving zijn bepaald.



De DJI™ MATRICE™ 300 RTK (M300 RTK)-drone is GEEN speelgoed en is niet geschikt voor kinderen onder de 18 jaar. Let op: 'Veiligheid in één oogopslag' biedt slechts een beknopt overzicht van de veiligheidsstips. Zorg ervoor dat u de resterende gedeeltes van dit document heeft gelezen en begript.

De drone haalt de beschermingsklasse IP45 niet onder de volgende omstandigheden:

- Ingevouwen frame-armen.
- U gebruikt andere accu's dan de TB60 Intelligent Flight Batteries van de M300 RTK.
- De afdekkingen voor de poorten zijn niet correct bevestigd.
- De weerbestendige dop van de bovenplaat is niet stevig aan de bovenplaat bevestigd.
- De drone is defect om verschillende redenen, zoals vanwee een gebroken beplating, het breken van de waterdichte lijn, enz.

## 4. Besturing

- Vlieg NIET met de drone vanuit een bewegend voertuig.
- Ter behoud van de reguliere levensduur van de motor mag u het vliegtuig niet laten opstijgen of landen op zandiger of stoffige plaatsen.
- Blijf uit de buurt van de roterende propellers en motoren.
- Houd de drone te allen tijde in de gaten.
- Om de motoren tijdens het vliegen te stoppen, trekt u beide joystick van de afstandsbediening omlaag naar de onderste binnenhoek of de onderste buitenhoek.
- Als u de motoren tijdens het vliegen uitschakelt, zal de drone neerstorten. De motor mag gedurende de vlucht alleen worden stopgezet wanneer de vluchtcontroller een kritieke fout detecteert.
- Hoewel de drone met geavanceerde technologie is uitgerust, is van de zijde van de piloot een adequate bevoegdheid tot besturing van de drone tijdens het vliegen een absolute vereiste. Veiligheids- en vluchtassistentiefuncties zoals het vermijden van obstakels, precieze landingen maken en landingsbescherming, zijn ontworpen ter ondersteuning van de besturing van de drone, niet ter vervanging ervan. Omgevingsfactoren zoals verlichting en het oppervlak van het obstakel kunnen van invloed zijn op de prestaties van het zichtsysteem.
- Beantwoord GEEN inkomende oproepen of sms-berichten en maak geen gebruik van andere functies op uw mobiele apparaten die uw aandacht afleidt van uw besturing van de drone tijdens het vliegen. Vlieg NIET onder invloed van alcohol of drugs.
- Vlieg NIET dicht boven reflecterende oppervlakken zoals water of sneeuw, omdat deze oppervlakken de werking van het zichtsysteem kunnen beïnvloeden.
- Laat de drone onmiddellijk landen op een veilige locatie als u de waarschuwing Laag accuniveau krijgt.
- Gedurende de uitvalbeveiligde Return to Home-procedure zal de drone obstakels niet kunnen vermijden als de lichtomstandigheden niet goed zijn. U kunt de Return to Home-procedure verlaten en de drone zelf besturen zodra het signaal van de afstandsbediening weer ontvangen heeft. Zorg ervoor dat vóór elke vlucht u de juiste hoogte voor uitvalbeveiliging instelt.
- Zet na het landen eerst de motor stop, schakel vervolgens de Intelligent Flight Battery uit en schakel dan pas de afstandsbediening uit.
- Hoewel de DJI Pilot-app met geavanceerde technologie is uitgerust, is van de zijde van de piloot een adequate bevoegdheid tot besturing van de drone tijdens het vliegen een absolute vereiste. Veiligheids- en vluchtassistentiefuncties zoals het vermijden van obstakels, precieze landingen maken en landingsbescherming, zijn ontworpen ter ondersteuning van de besturing van de drone, niet ter vervanging ervan. Omgevingsfactoren zoals verlichting en het oppervlak van het obstakel kunnen van invloed zijn op de prestaties van het zichtsysteem. Stel in de DJI Pilot-app de Return to Home-hoogte in op een hoogte hoger dan die van de omliggende obstakels.
- De landingsbescherming (detecteert of de grond geschied is om op te landen vanaf een hoogte van 2 meter boven de grond) kan worden gebruikt ter optimalisatie van de besturingservaring. Wees altijd alert wanneer u de drone bestuurt, omdat het zichtsysteem

in bepaalde situaties kan zijn uitgeschakeld (bijv. onder omstandigheden met schemerig licht of ingeval de oppervlakten van obstakels onduidelijke patronen vertonen) en in dergelijke gevallen de grondoppervlakedetectie mogelijk mislukt.

### 5. Onderhoud en reparatie

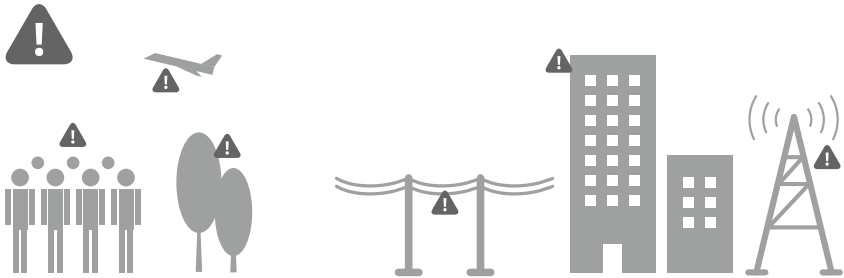
- Gebruik **GEEN** oude, beschadigde of gebroken propellers.
- Het strekt tot aanbeveling om de drone en de accu's op een koele en droge plaats op te slaan bij temperaturen van tussen de 22 °C en de 30 °C en blootstelling aan direct zonlicht te vermijden.
- Raadpleeg de veiligheidsrichtlijnen voor de Intelligent Flight Battery voordat u de accu in gebruik neemt.

### 6. Houd rekening met de plaatselijke wet- en regelgeving

- Vlieg **NIET** in de GEO-zones. Relevante informatie over deze gebieden is te vinden op <http://flysafe.dji.com/>. Neem contact op met de lokale luchtvaartautoriteiten voor een volledige lijst van, en regelgeving voor, GEO-zones.
- De beperkingen met betrekking tot de vlieghoogte verschillen per rechtsgebied. Vlieg **NIET** boven de maximale hoogten die in de lokale wet- en regelgeving zijn bepaald.
- Vermijd vliegen in gebieden waarin reddingsteams actief gebruik maken van het luchtruim.



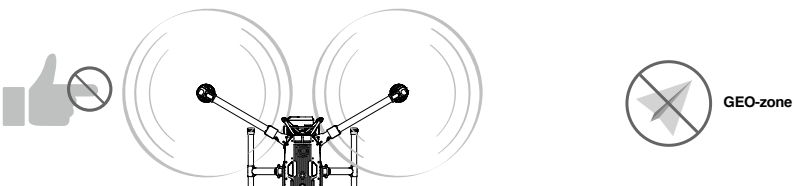
NI



Vlieg niet over of in de buurt van drukte, bomen of luchthavens. Sterke bronnen van elektromagnetische straling zoals hoogspanningsleidingen, basisstations en hoge gebouwen kunnen een storende uitwerking hebben op het ingebouwde kompas. Blijf tijdens de vlucht altijd alert op de omgeving.



Gebruik de drone **NIET** bij ongunstige weersomstandigheden, zoals regen, sneeuw, mist en bij windsnelheden van meer dan 15 m/s of 33.5 mph.



Blijf uit de buurt van de roterende propellers en motoren.

**Meer informatie is te vinden op:**  
<https://flysafe.dji.com>

## OPMERKING

Alle instructies en overige ondersteunende documentatie kunnen uitsluitend naar eigen goeddunken van SZ DJI TECHNOLOGY CO., LTD (‘DJI’) worden gewijzigd. Ga voor actuele productinformatie naar <http://www.dji.com> en raadpleeg de productpagina.

## Verklarende woordenlijst

De volgende termen worden gebruikt in deze documentatie om de verschillende niveaus van mogelijke schade bij het gebruik van dit product aan te geven:

**OPMERKING** Procedures waarvan de niet-naleving mogelijk leidt tot materiële schade EN tot een zeer geringe of geen kans op letsel.

**LET OP** Procedures waarvan de niet-naleving waarschijnlijk leidt tot fysieke schade aan eigendommen EN mogelijk leidt tot ernstig letsel.

**WAARSCHUWING** Procedures waarvan de niet-naleving waarschijnlijk leidt tot materiële schade, nenschade en ernstig letsel OF tot een grote kans op oppervlakkig letsel.

### WAARSCHUWING

**Lees vóór gebruik de GEHELE gebruikershandleiding door om uzelf vertrouwd te maken met de bijzondereheden van dit product. Als het product niet in overeenstemming met de gebruikershandleiding wordt gebruikt, kan dat leiden tot schade aan het product, persoonlijke eigendommen en ernstig letsel tot gevolg hebben.**

**Dit is een geavanceerd product. De apparatuur moet voorzichtig worden bediend, met gezond verstand en vereist enige elementaire mechanische kennis. Het niet op een veilige en verantwoorde manier gebruiken van dit product kan leiden tot letsel of schade aan het product of andere eigendommen. Dit product is niet geschikt voor gebruik door kinderen. Gebruik dit product NIET in combinatie met incompatibele onderdelen en wijzig het NIET op enigerlei wijze tenzij zulks anderszins is toegestaan volgens documentatie die is verstrekt door SZ DJI TECHNOLOGY CO., LTD. Deze veiligheidsvoorschriften bevatten instructies voor veiligheid, bediening en onderhoud. Het is van essentieel belang dat u vóór montage, installatie of gebruik alle instructies en waarschuwingen in de gebruikershandleiding leest en opvolgt om dit product op een veilige manier te bedienen en schade of ernstig letsel te voorkomen.**

**LEEFTIJDSAANBEVELING: NIET VOOR KINDEREN ONDER DE 18 JAAR. DIT IS GEEN SPEELGOED.**

## Checklist ter voorbereiding van de vlucht

- Zorg ervoor dat u alleen originele onderdelen gebruikt en dat alle onderdelen in perfecte staat verkeren.
- Zorg ervoor dat de afstandsbediening, de Intelligent Flight Battery en het mobiele apparaat volledig zijn opgeladen.
- Zorg dat er geen vreemde voorwerpen vastzitten op de camerallens, de microSD-kaart in de gimbalcamera is geplaatst en de gimbal vrij kan draaien voordat het product wordt ingeschakeld.
- Zorg ervoor dat de propellers en montageschroeven stevig op de motoren zijn gemonteerd en dat de motoren normaal kunnen starten en functioneren.
- Volg de instructies op het scherm om het kompas te kalibreren.
- Zorg ervoor dat de DJI Pilot-app en de firmware van de drone zijn bijgewerkt naar de nieuwste versie.
- Zorg ervoor dat uw vluchtgebied zich buiten de GEO-zones bevindt en dat de vliegomstandigheden geschikt zijn voor de besturing van de drone.
- Zorg ervoor dat u NIET vliegt onder invloed van alcohol, drugs of andere stoffen die uw cognitieve vaardigheden kunnen verminderen.
- Zorg ervoor dat u vertrouwd bent met de geselecteerde vliegmodus en dat u alle veiligheidsfuncties en waarschuwingen begrijpt.
- Zorg ervoor dat u alle lokale voorschriften in acht neemt, de juiste machtigingen verkrijgt en de risico's begrijpt. ONTHOUDEN: Het is uitsluitend uw verantwoordelijkheid om te voldoen aan alle toepasselijke voorschriften.
- HOUD DE DRONE TE ALLEN TIJDE (MET UW OGEN) IN DE GATEN.** Vertrouw NIET alleen op de first person view-camera bij het besturen van uw drone.
- Zorg ervoor dat de DJI Pilot-app correct is opgestart om u te helpen bij het besturen van de drone. Zonder de vluchtgegevens die door de DJI Pilot-app worden vastgelegd, kan DJI in bepaalde situaties (waaronder bij verlies van uw drone) mogelijk geen nazorg bieden of aansprakelijkheid aanvaarden.
- Test altijd de zweefprestaties van de drone als de drone met lading gaat vliegen. Zorg ervoor dat het totale startgewicht de normale specificaties niet overschrijdt. Schakel de drone uit zonder sterke mechanische trillingen van de drone zelf, elektromagnetische interferentie of belemmering van het zichtstelsel of de infraroodsensoren.

- Zorg ervoor dat het visiesysteem, de infraroodsensoren, de FPV-camera's en de lenzen van de hulplichten schoon zijn en vrij van vlekken of vingerafdrukken en dat ze niet door onderdelen worden belemmerd (zoals aan de drone bevestigde ladingen).
- Zorg ervoor dat de frame-armen volledig zijn uitgeklapt en de frame-armen en landingsstellen stevig vastzitten.
- Zorg ervoor dat wanneer de poorten op de drone en de afstandsbediening niet worden gebruikt, deze stevig met de rubberen doppen zijn afgedekt.
- Controleer of alle koelventilatoren van de drone vrij zijn van vreemde voorwerpen en dat de luchtinlaat en de ventilatieopening niet worden belemmerd. Controleer ook of de ventilatoren werken zonder abnormaal geluid te maken.

## Disclaimer en waarschuwing

Dit product is GEEN speelgoed en is niet geschikt voor kinderen onder de 18 jaar. Volwassenen dienen de drone buiten bereik van kinderen te houden en voorzichtigheid te betrachten bij het gebruiken van dit product in de aanwezigheid van kinderen.

Ondanks dat het product gebruik maakt van geavanceerde technologie kan onjuist gebruik ervan leiden tot persoonlijk letsel of materiële schade. Lees alle bijbehorende informatie van het product voor het eerste gebruik van het product. Deze documenten zijn opgenomen in het productpakket en zijn ook online beschikbaar op de DJI-productpagina op <http://www.dji.com>.

De informatie in dit document betreft uw veiligheid en uw wettelijke rechten en plichten. Lees dit hele document zorgvuldig door, zodat u vóór gebruik de juiste configuratie toepast. Het niet lezen en opvolgen van de instructies en waarschuwingen in dit document kan leiden tot verlies van het product, ernstig letsel voor uzelf en andere personen, of schade aan uw drone.

Door het gebruik van dit product geeft u te kennen dat u deze disclaimer zorgvuldig hebt gelezen en dat u begrijpt en erme akkoord gaat dat u zich dient te houden aan de hierin gestelde algemene voorwaarden. BEHALVE ZOALS UITDRUKKELIJK BEPAALD IN HET AFTERSALES-SERVICEBELEID VAN DJI (BELEID BESCHIKBAAR OP [HTTP://WWW.DJI.COM/SERVICE/POLICY](http://www.dji.com/service/policy)), WORDEN HET PRODUCT EN ALLE MATERIELEN EN CONTENT DIE VIA HET PRODUCT BESCHIKBAAR IS, GELEVERD 'AS IS' EN 'AS AVAILABLE', ZONDER ENIGE VORM VAN GARANTIE, EXPLICIET OF IMPLICIET. UJ WIST ALLE GARANTIES VAN WELKE AARD DAN OOK AF. TENZIJ UITDRUKKELIJK VASTGELEGD IN HET DJI AFTERSALES-SERVICEBELEID, EXPLICIET OF IMPLICIET, MET BETREKING TOT HET PRODUCT, PRODUCTACCESSOIRES EN ALLE MATERIELEN, INCLUSIEF: (A) ELKE IMPLICIETE GARANTIE VAN VERKOOPBAARHEID, GESCHIKTHEID VOOR EEN BEPAALD DOEL, EIGENDOM, RUSTIG GENOT OF NIET-INBREUKMAKENDEHEID; EN (B) GARANTIES VOORTVLOEIEND UIT TRANSACTIES, GEBRUIK OF HANDEL. DJI GARANEERT NIET, BEHALVE WANNEER UITDRUKKELIJK VERMELD IN DE DJI BEPERKTE GARANTIE, DAT HET PRODUCT, DE PRODUCTACCESSOIRES OF ONDERDELEN VAN MATERIELEN VAN HET PRODUCT ONONDERBROKEN EN VEILIG WERKEN, VRIJ ZIJN VAN FOUTEN, VIRUSSEN OF ANDERE SCHADELIJKE COMPONENTEN EN GARANEERT NIET DAT ELK VAN DEZE KWESTIES ZAL WORDEN GEORIGINEERD.

GEEN ENKEL ADVIES OF INFORMATIE, MONDELING OF SCHRIFTELIJK, DIE U OVER HET PRODUCT, DE PRODUCTACCESSOIRES OF MATERIELEN HEEFT ONTVANGEN, ZAL WORDEN OPGEVAT ALS EEN GARANTIE BETREFFENDE DJI OF HET PRODUCT ALS DAT NIET UITDRUKKELIJK IN DEZE VOORWAARDEN VERMELD STAAT. U AANVAART ALLE RISICO'S VOOR SCHADE DIE KAN VOORTVLOEIEN UIT HET GEBRUIK VAN OF TOEGANG TOT HET PRODUCT, PRODUCTACCESSOIRES EN MATERIELEN. U BEGRIJPT EN GAAT ERME AKKOORD DAT U HET PRODUCT NAAR EIGEN GOEDDUNKEN EN VOOR EIGEN RISICO GEBRUIKT EN DAT U ZELF VERANTWOORDELIJK BENT VOOR PERSOONLIJK LETSEL, DOOD, SCHADE AAN UW EIGENDOMMEN (WAARONDER UW COMPUTERSTELSEL OF EEN MOBIEL APPARAAT OF APPARATUUR VAN DJI DIE WORDT GEBRUIKT IN VERBAND MET HET PRODUCT) OF EIGENDOMMEN VAN DERDEN, OF HET VERLIES VAN GEGEVENS ALS GEVOLG VAN HET GEBRUIK OF DE ONMOGELIJKHEID TOT GEBRUIK VAN HET PRODUCT.

IN SOMMIGE JURISDICTIES KAN HET VERBODEN ZIJN OM GARANTIES AF TE WIJZEN EN KUNT U ANDERE RECHTEN HEBBEN DIE PER RECHTSGBIED VERSCHILLEN.

DJI aanvaardt geen aansprakelijkheid voor schade, letsel of enige wettelijke verantwoordelijkheid die direct of indirect voortvloeit uit het gebruik van dit product. De gebruiker dient zich te houden aan veilige en wettelijke praktijken, inclusief, maar niet beperkt tot wat in deze veiligheidsrichtlijnen worden beschreven.

## Dataopslag en gebruik

Wanneer u gebruikmaakt van onze mobiele apps of onze producten of andere software, deelt u mogelijk gegevens met DJI over het gebruik en de werking van het product, zoals vluchtemetriegergegevens (bijv. snelheid, hoogte, accu duur en informatie over de gimbal en camera) en prestatiegergegevens. Het interne opslagapparaat dat in

het product is opgenomen, slaat verschillende soorten gegevens op, waaronder vluchtelometriegegevens. U verstrekt ons mogelijk ook vluchtelometriegegevens en andere gegevens wanneer u die informatie handmatig vanaf het interne opslagapparaat naar ons verzendt.

Raadpleeg het DJI Privacybeleid (beschikbaar op <http://www.dji.com/policy>) voor meer informatie.

## Voordat u begint

Dit product is een drone waarmee eenvoudig kan worden gevlogen indien deze naar behoren wordt gebruikt, zoals hieronder uiteen is gezet. Ga naar <http://www.dji.com> voor de meest actuele aanwijzingen en waarschuwingen en naar <https://knowbeforeyoufly.org> voor meer informatie over de vliegveiligheid en compliance.

De volgende documenten zijn opgesteld om u te helpen uw drone veilig te besturen en ten volle te benutten:

In the Box

Disclaimer en veiligheidsrichtlijnen

Veiligheidsrichtlijnen Intelligent Flight Battery

Snelstartgids

Gebruikershandleiding

Controleer alle bijgeleverde onderdelen in het In the Box-document en neem vóór de vlucht de disclaimer en de veiligheidsrichtlijnen door. Bereid vervolgens uw eerste vlucht voor aan de hand van de Snelstartgids en bekijk alle instructievideo's op de officiële website van DJI (<http://www.dji.com>). Raadpleeg de gebruikershandleiding in de app of op de officiële website van DJI voor meer informatie als u vragen hebt. Zorg ervoor dat u voorafgaand aan elke vlucht de functie van elk afzonderlijk onderdeel, de vereisten ten aanzien van de omstandigheden van de vlucht, de belangrijkste noodwaarschuwingfuncties/-systemen en alle overheidsvoorschriften volledig begrijpt. Mocht u nog vragen of problemen hebben tijdens de montage, het onderhoud of het gebruik van dit product, neem dan contact op met DJI of een door DJI erkende dealer.

## Afzonderlijke onderdelen

### Wat betreft originele en functionele onderdelen

#### **WAARSCHUWING**

Neem de volgende regels in acht om defecten aan onderdelen, ernstig letsel en materiële schade te voorkomen:

1. Gebruik alleen originele DJI-onderdelen en onderdelen die door DJI zijn gecertificeerd. Niet-goedgekeurde onderdelen of onderdelen van niet door DJI gecertificeerde fabrikanten kunnen leiden tot storingen in het systeem en de veiligheid in gevaar brengen.
2. Zorg ervoor dat er geen vreemde voorwerpen (zoals water, olie, grond, zand, enz.) in de drone of de onderdelen daarvan aanwezig zijn.
3. Zorg ervoor dat de drone en zijn onderdelen – met inbegrip van, maar zonder beperking tot, de afstandsbediening, de camera, de gimbal, het kompas, het aandrijfsysteem en de accu – allemaal in goede staat verkeren, schadevrij zijn en goed functioneren. Raadpleeg de overige delen van dit document voor meer details over hoe de functionaliteit van deze componenten kan worden gewaarborgd.
4. Doe GEEN aanpassingen aan de drone of de componenten en onderdelen daarvan. Ongeoorloofde aanpassingen kunnen storingen veroorzaken en de functionaliteit en veiligheid van de drone aantasten.
5. Controleer of alle koelventilatoren van de drone vrij zijn van vreemde voorwerpen en dat de luchtinlaat en de ventilatieopening niet worden belemmerd.
6. Alle accessoires die in combinatie met de M300 RTK worden gebruikt, inclusief maar niet beperkt tot gimbals en CSM Radar, mogen alleen in combinatie met de drone worden gebruikt. Gebruikers nemen de volledige verantwoordelijkheid voor de schade veroorzaakt door de accessoires die zijn gebruikt met andere niet-originele producten.
7. Gebruik GEEN kabel die niet van DJI is om de vliegtuigpoorten aan te sluiten, aangezien dat systeemstoringen kan veroorzaken en de veiligheid in gevaar kan brengen.

### Videotransmissiesysteem

#### **OPMERKING**

1. Schakel de modus 'Aangepast' alleen in onder begeleiding van professionals. Anders kan het videotransmissiesignaal vertragen of zelfs verloren gaan als gevolg van storing.

### Afstandsbediening

#### **OPMERKING**

1. Laad de Smart Controller volledig op vóór elke vlucht.
2. Als de Smart Controller is ingeschakeld en het touchscreen vijf minuten lang niet wordt gebruikt, wordt er een waarschuwingsgeluid geactiveerd. Tien seconden na activering van het waarschuwingsgeluid wordt de Smart Controller automatisch uitgeschakeld. Beweeg de joysticks of voer een

andere actie uit om de waarschuwing te annuleren.

3. Zorg ervoor dat de antennes zijn uitgeklaapt en ingesteld op de juiste plaats om een optimale transmissiekwiteit te realiseren.
4. Neem contact op met DJI-support om de antennes te repareren of te vervangen als ze beschadigd zijn. Beschadigde antennes zullen de prestaties aanzienlijk verminderen.
5. Koppel de Smart Controller en de drone opnieuw als u van drone verandert.
6. Zorg ervoor dat u de drone uitschakelt voordat u de Smart Controller uitschakelt.
7. Laad de Smart Controller elke drie maanden volledig op.
8. Laad de Smart Controller onmiddellijk op wanneer het vermogensniveau tot 10% daalt om te voorkomen dat de Smart Controller wordt beschadigd door overmatige ontlading gedurende langere tijd. Ontlaad de Smart Controller tot een vermogensniveau tussen de 40% en 60% indien deze voor een langere periode wordt opgeladen.
9. Bedek de ventilatieopening op de Smart Controller NIET. Anders kan de Smart Controller oververhit raken, wat een nadelige uitwerking kan hebben op de prestaties.
10. Demonteer de Smart Controller NIET zonder de hulp van een erkende DJI-dealer. Neem voor de vervanging van de componenten van de Smart Controller altijd contact op met DJI of een erkende DJI-dealer.
11. Blokkeer de ingebouwde GPS NIET. Indien de DJI smart controller Enterprise-schermmontagebuis (hierna: 'montagebuis') is gemonteerd, verwijdt u deze en probeert u het opnieuw als het GPS-signaal slecht is.
12. Demonteer de joysticks NIET regelmatig om slijtage van de joystickafdekking te voorkomen.

## Kompas

### **LET OP**

Neem de volgende regels in acht om ernstig letsel en materiële schade te voorkomen:

1. Zet de drone onmiddellijk aan de grond wanneer er tijdens de vlucht duidelijke drifts optreden.
2. Vlieg NIET in een omgeving met sterke elektromagnetische interferentie of in een ruimte met veel obstakels.
3. Gelieve, als de DJI Pilot-app vóór het opstijgen de melding weergaaf dat het kompas moet worden gekalibreerd, voordat u opstijgt de drone te kalibreren in een omgeving zonder elektromagnetische interferentie.

### **OPMERKING**

Kalibreer het kompas alleen wanneer de DJI Pilot-app of de statusindicator aangeven dat dat nodig is. Neem de volgende regels in acht bij het kalibreren van uw kompas:

1. Kalibreer uw kompas NIET op plaatsen waar er magnetische interferentie is, zoals interferentie door magnetiet, parkeerstructuren of stalen versterkingen onder de grond.
2. Draag tijdens het kalibreren GEEN ferromagnetische materialen zoals mobiele telefoons bij u.
3. De DJI Pilot-app zal u erom verzoeken het probleem met het kompas op te lossen als het kompas aan sterke interferentie wordt blootgesteld nadat de kalibratie is voltooid. Volg de weergegeven instructies om het probleem met het kompas op te lossen.

## Voorstuwingssysteem

### **WAARSCHUWING**

Neem de volgende regels in acht om ernstig letsel bij uzelf of anderen, veroorzaakt door de draaiende propellers en motoren, te voorkomen:

### Propellers

1. Gebruik GEEN verouderde, beschadigde of gebroken propellers.
2. Schakel de drone altijd uit voordat u de propellers aanraakt.
3. Let op de scherpe randen van de propellers bij het monteren of verwijderen van de propellers. Draag handschoenen of neem andere beschermende maatregelen bij het aanraken van de propellers.
4. Gebruik indien nodig gereedschap (bijv. sleutel, schroevendraaier, tang, enz.) om de propellers te verwijderen of te monteren.
5. Zorg ervoor dat de propellers en montageschroeven goed zijn bevestigd om te voorkomen dat ze van de motoren vallen.
6. Schakel de motoren NIET in wanneer er propellers zijn gemonteerd en er andere mensen of dieren in de directe omgeving zijn.
7. Het gebruik van propellers van derden kan de aerodynamica van de drone in gevaar brengen. Voor een betere en veiligere vliegervaring raden wij u aan alleen originele DJI-propellers te gebruiken.
8. Veeg de propellers af om ze droog te maken voorafgaand aan elke vlucht bij een omgevingstemperatuur van ongeveer 0 °C om te voorkomen dat de propellers berijpt zijn.

## Motoren

1. Controleer of de motoren stevig zijn bevestigd en soepel draaien.
2. Zorg voor een goede installatie en een normale werking van de motor voorafgaand aan elke vlucht. Als de ventilatiegaten van de motoren geblokkeerd zijn, verwijder dan voorafgaand aan de vlucht alle blokkages. Als de deksel verouderd, beschadigd of vervormd is, neem dan contact op met DJI of een erkende DJI-dealer.
3. Probeer de constructie van de motoren NIET te wijzigen.
4. Raak de motoren NIET aan en laat uw handen en lichaam niet in contact komen met de motoren na de vlucht omdat deze heet kunnen zijn.

## Elektronische snelheidsregelaars

1. Volg, indien nodig, voorafgaand aan elke vlucht de aanwijzingen in de app om afwijkingen aan de elektronische snelheidsregelaars te verhelpen.
2. Zet de drone aan de grond als de DJI Pilot-app aangeeft dat er iets mis is met de elektronische snelheidsregelaars (bijvoorbeeld oververhitting, lage spanning of overbelasting).

### LET OP

Neem de volgende regels in acht om ernstig letsel en materiële schade te voorkomen:

1. Blokkeer de ventilatiegaten in de motoren NIET.
2. Blokkeer de ventilatiegaten in de frame-arm van de drone NIET.

### OPMERKING

## Motoren

1. Ter behoud van de reguliere levensduur van de motor mag u de drone niet laten opstijgen of landen op zanderige of stoffige plaatsen.
2. Houd de motoren stofvrij en zorg ervoor dat de ventilatieopeningen niet worden geblokkeerd.
3. Als een motor vastzit en niet vrij kan draaien, voert u de gecombineerde joystickopdracht (CSC) uit om de motoren onmiddellijk te stoppen.

## Elektronische snelheidsregelaars

Controleer of de elektronische snelheidsregelaars een normaal geluid geven wanneer ze worden ingeschakeld.

## DJI Pilot-app

### OPMERKING

1. Zorg ervoor dat u uw tablet of mobiele apparaat (indien gebruikt) volledig oplaadt voordat u de app start.
2. Als u een telefoon als uw mobiele weergaveapparaat gebruikt, moet u ervoor zorgen dat u veilig blijft vliegen wanneer de telefoon een binnenkomende oproep ontvangt. Voer GEEN telefoongesprekken tijdens de vlucht.
3. Voor het gebruik van de DJI Pilot-app zijn mobiele data vereist. Neem contact op met uw provider van draadloos internet voor informatie over datakosten.
4. Lees alle veiligheidstips, waarschuwingen en disclaimers die worden weergegeven aandachtig. Zorg dat u vertrouwd bent met de betreffende voorschriften in uw omgeving. U bent zelf verantwoordelijk voor het op de hoogte zijn van alle relevante regelgevingen en voor het besturen van uw drone op een manier die daaraan voldoet.
  - a. Lees en begrijp de waarschuwingsberichten voordat u uw thuisbasis reset.
  - b. Lees en begrijp de waarschuwingen en disclaimer voordat u de hoogte boven de limiet instelt die door de toepasselijke regelgeving is vastgesteld.
  - c. Lees en begrijp de waarschuwingen en disclaimer voordat u tussen verschillende vliegstanden schakelt.
5. Zet uw vliegtuig onmiddellijk op een veilige locatie aan de grond als er een waarschuwing wordt weergegeven in de app.
6. Bekijk en geef gehoor aan alle waarschuwingsberichten op de checklist die vóór elke vlucht in de app wordt weergegeven.
7. Gebruik de DJI ASSISTANT™ 2 voor het oefenen van je vliegvaardigheden als je de drone nog nooit hebt gebruikt of als je nog NIET over voldoende ervaring beschikt om de drone goed te kunnen besturen.
8. Maak vóór elke vlucht verbinding met internet en sla de kaartgegevens op van het gebied waarin u met de drone gaat vliegen.
9. De app is bedoeld om het vliegen met de drone te ondersteunen. Gebruik uw gezonde verstand en vertrouw NIET op de app voor het bedienen van de drone.
10. Voor het gebruik van de app gelden de gebruiksvoorwaarden voor de DJI Pilot-app en het privacybeleid van DJI. Neem ze aandachtig door in de app.

## Firmware

### WAARSCHUWING

Leef de volgende regel na om ernstig letsel aan kinderen en dieren te voorkomen:

1. Houd kinderen en dieren op een veilige afstand bij alle firmware-upgrades-, systeemkalibratie- en parametereinstellingsprocedures.

### OPMERKING

1. Update de firmware voor de veiligheid altijd naar de nieuwste versie wanneer er een upgradebericht in de DJI Pilot-app wordt weergegeven.
2. Firmware-upgrademeldingen stellen u ervan op de hoogte als er nieuwe firmware-upgrades beschikbaar zijn. U bent verplicht de weergegeven informatie te lezen en te begrijpen.
3. Zorg ervoor dat u de firmware van de afstandsbediening bijwerkt naar de nieuwste versie nadat u de firmware van de drone hebt bijgewerkt.
4. De afstandsbediening wordt mogelijk na het updaten van de drone losgekoppeld.
5. Controleer alle aansluitingen en verwijder de propellers uit de motoren voordat u de firmware updatet.

## SDK

### OPMERKING

1. Voordat u de DJI SDK gebruikt, moet u akkoord gaan met de gebruiksvoorwaarden van de DJI SDK en het privacybeleid van DJI. Deze gebruiksvoorwaarden en het voornoemde privacybeleid beperken een aantal van de wettelijke verantwoordelijkheden van DJI, lees ze aandachtig door op <https://developer.dji.com/policies/>.

## Camera (optioneel)

### WAARSCHUWING

Neem de volgende regels in acht om ernstig letsel en materiële schade te voorkomen:

1. Blokkeer GEEN ventilatieopeningen op de camera. De opgewekte warmte kan letsel veroorzaken aan de gebruiker en het toestel beschadigen.

### OPMERKING

1. Controleer vóór gebruik de camera-instellingen om er zeker van te zijn dat deze zijn aangepast aan uw behoeften.
2. Test de camera door een paar testbeelden te maken en controleer of deze correct werkt voordat u belangrijke foto's of video's maakt.
3. Verwijder de microSD-kaart NIET uit de gimbalcamera als deze is ingeschakeld. Gebruik alleen officieel aanbevolen microSD-kaarten.
4. Zorg ervoor dat u de Intelligent Flight Battery correct uitschakelt, anders worden uw cameraparameters NIET opgeslagen en alle opgenomen video's kunnen worden beschadigd.
5. DJI is niet verantwoordelijk voor het mislukken van foto's of video's, ongeacht de reden waarom een foto of video mislukt is, of voor het feit dat ze op dusdanige wijze zijn opgenomen dat ze niet door een machine leesbaar zijn.

## Gimbal (optioneel)

### OPMERKING

1. Precisie-elementen in de gimbal kunnen beschadigd raken bij een botsing of stoten, waardoor de gimbal abnormaal zal functioneren.
2. Oefen GEEN externe kracht uit op de gimbal nadat deze is ingeschakeld.
3. Voeg GEEN extra ladingen toe aan de gimbal, aangezien dat abnormaal functioneren van de gimbal of zelfs motorschade tot gevolg kan hebben.
4. De gimbal en de gimbalaansluiting zijn heel kwetsbaar. Ga er voorzichtig mee om en raak de gimbalaansluiting NIET aan, omdat de gimbalaansluiting abnormaal zal gaan functioneren als deze beschadigd raakt.
5. Houd de gimbal stevig vast bij het losmaken of opnieuw bevestigen ervan, zodat deze niet valt.
6. Bevestig of verwijder de gimbal NIET als de drone is ingeschakeld.
7. Als u een gebruik maakt van een systeem met meerdere gimbals, dient u de instructies in de gebruikershandleiding strikt te volgen en compatibele gimbal-camera's correct te monteren.

## Productonderhoud

### Opslag en transport

### WAARSCHUWING

Leef de volgende regel na om ernstig letsel aan kinderen en dieren te voorkomen:

1. Kleine onderdelen, zoals kabels en riemen, zijn gevaarlijk als ze worden ingeslikt. Houd alle onderdelen buiten het bereik van kinderen en dieren.

#### OPMERKING

1. Laad en ontlad de accu regelmatig ter behoud van de gezondheid van de accu. Raadpleeg de veiligheidsrichtlijnen voor de Intelligent Flight Battery voordat u de accu in gebruik neemt.
2. Laat de camera NIET in contact komen met, of worden ondergedompeld in, water of andere vloeistoffen. Als de camera nat wordt, veeg deze dan met een zachte, absorberende doek droog. Het inschakelen van een drone die in het water is gevallen, kan permanente schade aan componenten van de drone toebrengen. Gebruik GEEN stoffen die alcohol, benzene, verdunningsmiddelen of andere ontvlambare stoffen bevatten om de camera schoon te maken of te onderhouden. Bewaar de camera NIET in een vochtige of stoffige omgeving.
3. Ontkoppel de gimbal van de drone wanneer u deze een lange tijd wilt opslaan of over lange afstanden wilt vervoeren.
4. Sluit dit product NIET aan op een USB-interface die ouder is dan versie 2.0. Sluit dit product NIET aan op een 'power USB' of een vergelijkbaar apparaat.
5. De frame-armen en antennes moeten tijdens het transport worden uitgevouwen naar de oorspronkelijke positie, anders raken de antennes mogelijk beschadigd. Zet de drone voorzichtig op de grond om schade aan de IMU en andere onderdelen te voorkomen.

### Onderhoud en reparatie

#### OPMERKING

1. Neem contact op met de door DJI aanbevolen onderhoudscentra voor de inspectie of reparatie van een product na een eventuele crash of hevige botsing. Het besturen van een beschadigde drone is zeer gevaarlijk en kan lichamelijke letsel of materiële schade veroorzaken.
2. Laad en ontlad de accu regelmatig ter behoud van de gezondheid van de accu. Raadpleeg de veiligheidsrichtlijnen voor de Intelligent Flight Battery voordat u de accu in gebruik neemt.
3. Het strekt tot aanbeveling om regelmatig een onderhoudsbeurt in te plannen ten bate van de vliegveiligheid en betrouwbaarheid. Raadpleeg de veiligheidsrichtlijnen voor de Intelligent Flight Battery voor meer informatie.
4. Controleer regelmatig de indicatoren voor het accuniveau om het huidige accuniveau en de algemene levensduur van de accu te bekijken. De accu is geïncalibreerd voor 200 cycli. Het strekt niet tot aanbeveling om de accu na 200 cycli te blijven gebruiken. Raadpleeg de veiligheidsrichtlijnen voor de Intelligent Flight Battery voor meer informatie over veilig gebruik en onderhoud van de accu.
5. Raadpleeg de onderhoudshandleiding voor informatie over het controleren en onderhouden van het product na langdurig gebruik om het product in de best mogelijke conditie te houden en mogelijke veiligheidsrisico's te verminderen. De frequentie van hoe vaak onderhoud moet worden uitgevoerd, hangt af van hoe vaak het product wordt gebruikt, maar het onderhoud moet minimaal eenmaal per zes maanden worden uitgevoerd. Het product kan voor onderhoud ook naar DJI worden gestuurd. Ga voor meer informatie naar <https://enterprise.dji.com/enterprise-maintenance>.
6. Onderdelen van de M300 RTK hebben een veilige levensduur. Vanaf het eerste gebruik hebben sluitende onderdelen zoals de propeller en cardandemper een veilige levensduur van 300 uur, terwijl de componenten van het voortstuwingssysteem een veilige levensduur van 900 uur hebben. Er kunnen mogelijk veiligheidsrisico's zijn als het product wordt gebruikt nadat de veilige levensduur is verstreken. DJI is niet verantwoordelijk voor eventuele risico's die kunnen voortvloeien uit het blijven gebruiken van het product.

### Vereisten voor vluchtomstandigheden

#### Weersomstandigheden en omgeving

#### ⚠ WAARSCHUWING

De drone is ontworpen om te functioneren bij goede tot milde weersomstandigheden. Neem de volgende regels in acht om botsingen, ernstig letsel en materiële schade te voorkomen:

1. Gebruik de drone NIET bij extreme weersomstandigheden. Hieronder vallen windsnelheden van meer dan 15 m/s, sneeuw, zware regenval, smog, hagel, bliksem, tornado's of orkanen.
2. Houd de drone tijdens de vlucht ten minste 10 meter verwijderd van obstakels, mensen, dieren, gebouwen, openbare infrastructuur, bomen en wateren. Houd nog meer afstand ten opzichte van de bovenstaande objecten naarmate u hoger vliegt.
3. Wees EXTRA voorzichtig wanneer u de drone binnenshuis bestuurt. Sommige functies van de drone, met name de stabilisatiefunctie, kunnen door het binnenshuis vliegen nadelig worden beïnvloed.
4. Zorg ervoor dat u het zichtsysteem inschakelt wanneer u binnenshuis

vliegt. Merk op dat het zichtsysteem mogelijk NIET goed werkt wanneer de drone over water, over oppervlakken zonder duidelijk patroon of in een donkere omgeving vliegt.

#### OPMERKING

1. De prestaties van de drone en de accu zijn afhankelijk van omgevingsfactoren, zoals luchtdichtheid en temperatuur.
  - a. Gebruik de drone NIET bij een temperatuur die onder de -20 °C of boven de 50 °C ligt.
2. Gebruik de drone NIET in de buurt van ongevallen, brand, explosies, overstromingen, tsunamidi's, lawines, aardverschuivingen, aardbevingen, stof of zandstormen.

### Verstoring van de communicatie

#### OPMERKING

1. Controleer of een deel van de drone geraakt of neergestort is. Neem indien nodig contact op met DJI-ondersteuning of met een van de erkende dealers.
2. Gebruik de drone in open gebieden. Hoge gebouwen en stalen constructies kunnen de nauwkeurigheid van het ingebouwde kompas beïnvloeden en het GPS-sigitaal blokkeren.
3. Voorkom verstoring tussen de afstandsbediening en andere draadloze apparatuur. Zorg ervoor dat u wifi op uw mobiele apparaat uitschakelt.
4. Wees zeer alert als u in de buurt vliegt van gebieden met magnetische of radiostoringen. Daaronder zijn, ZONDER beperking, inbegrepen: hoogspanningslijnen, grote onderstations of mobiele basisstations en zendmasten. Als u dit niet doet, kan dit ten koste gaan van de transmissiekwaliteit van dit product of kan dit externe besturings- en video-transmissiefouten veroorzaken die van invloed kunnen zijn op de vluchtrichting en nauwkeurigheid van de plaatsbepaling. De drone kan zich vreemd gedragen of onbestuurbaar worden in gebieden met te veel storing.

### Het vliegtuig op verantwoorde wijze besturen

#### ⚠ WAARSCHUWING

Neem de volgende regels in acht om ernstig letsel en materiële schade te voorkomen:

1. Zorg ervoor dat u NIET onder invloed van alcohol, drugs of verdovingen bent, of lijdt aan duizeligheid, vermoeidheid, misselijkheid of andere aandoeningen, hetzij lichamelijk of geestelijk, die nadelige gevolgen kunnen hebben voor uw vermogen om de drone veilig te besturen.
2. Schakel als de drone geland is eerst de drone zelf uit en schakel vervolgens de afstandsbediening uit.
3. GEEN gevaarlijke ladingen, of ladingen die persoonlijk letsel of materiële schade kunnen veroorzaken, op of bij gebouwen, personen of dieren lanceren, afvuren, laten vallen of anderszins projecteren.
4. De drone NIET gebruiken die neergestort, of per ongeluk geraakt, is of de drone die niet in goede staat verkeert.

#### OPMERKING

1. Zorg ervoor dat u voldoende bent opgeleid en volledig op de hoogte bent van eventuele noodplannen voordat er ongelukken gebeuren.
2. Zorg dat u over een vluchtplan beschikt en vlieg nooit roekeloos met de drone.
3. Respecteer de privacy van anderen wanneer u de camera gebruikt. Zorg ervoor dat u voldoet aan de plaatselijke privacywetgeving, voorschriften en morele normen.
4. Gebruik dit product NIET om andere redenen dan voor algemeen persoonlijk gebruik. Gebruik het NIET voor illegale of ongepaste doeleinden (zoals spionage, militaire operaties of ongeoorloofd onderzoek).
5. Gebruik dit product NIET om anderen te belasten, te misbruiken, lastig te vallen, te belagen (stalken), te bedreigen of om op enigerlei andere wijze de rechten van anderen te schenden (zoals privacy- en uitgaverrechten).
6. Zich NIET op privé-eigendommen van anderen begeven.

### Vliegstanden, functies en waarschuwingen

#### Vliegstanden

#### ⚠ WAARSCHUWING

Schakel NIET van de P-stand op de S-stand of de T-stand over, tenzij u voldoende vertrouwd bent met het gedrag dat de drone in iedere van deze respectievelijke vliegstanden vertoont. U moet in de app de instelling 'Meerdere vliegstanden' inschakelen voordat u van de P-stand op andere standen overschakelen kunt.

De drone gaat automatisch over op de Attitude-stand wanneer



aan beide van de volgende twee voorwaarden is voldaan: (1) het zichtsysteem is niet beschikbaar en (2) het GPS-signaal is zwak of het kompas ondervindt storing.

In de Attitude-stand zijn het zichtsysteem en sommige gevanceerde functies uitgeschakeld. Daarom kan de drone zich in deze stand niet positioneren en niet automatisch remmen, met als gevolg dat deze gemakkelijk nadelig beïnvloed wordt door zijn omgeving, wat kan resulteren in horizontaal schakelen. Gebruik de afstandsbediening om de drone te positioneren.

Het manoeuvreren van de drone in de Attitude-stand kan lastig zijn. Voordat u de drone op de Attitude-stand doet overschakelen, moet u zeker weten dat u de drone in de deze stand goed besturen kunt. Vlieg NIET te ver weg met de drone, omdat u dit van de controle kunt verliezen en mogelijk gevaarlijke situaties veroorzaakt.

Vlieg niet in gebieden waarin het GPS-signaal zwak is of in nauwe en besloten ruimtes. De drone zal anders gedwongen zijn om op de Attitude-stand te gaan, wat kan leiden tot gevaarlijke vliegsituaties: zet in dergelijke gevallen de drone alstublieft zo snel mogelijk op een veilige plaats aan de grond.

#### OPMERKING

De P-stand verdient voor wat betreft de meeste vluchtscenario's de voorkeur. Wees EXTRA voorzichtig wanneer u in andere standen vliegt, omdat sommige functies dan NIET beschikbaar zijn. Wees EXTRA voorzichtig wanneer u in de Attitude-stand vliegt, omdat sommige functies in de Attitude-stand NIET beschikbaar zijn. Wanneer u binnen vliegt, kan de drone niet nauwkeurig zweven wanneer deze boven oppervlakken vliegt die geen duidelijk patroon hebben. Raadpleeg het gedeelte 'Zichtsysteem en infrarooddetectiesysteem' voor de volledige lijst met criteria voor het vliegen in binnenuitruimte.

1. P-stand (positiebegalping): De P-stand werkt het best wanneer het GPS-signaal sterk is. De drone gebruikt GPS en zichtsysteem om zichzelf automatisch te stabiliseren.
2. S-stand (sport): De S-stand is identiek aan de P-stand wat vluchtcontroleinstellingen betreft, behalve dat in de S-stand de versterkingswaarden voor de besturing van de drone worden aangepast om de manoeuvreerbaarheid van de drone te verbeteren. De maximale vliegsnelheid van de drone wordt in deze stand verhoogd.
3. T-stand (tripod, statief): De T-stand is gebaseerd op de P-stand, maar met een beperkte vliegsnelheid, waardoor de makkelijker is om de controle te bewaren over de bewegingen van de drone.

### Terug naar thuisbasis (Return To Home - RTH)

#### OPMERKING

1. De functie Terug naar thuisbasis (Return to Home, RTH) kan nadelig worden beïnvloed door het weer, de omgeving of magnetische velden in de buurt.
2. Zorg ervoor dat de drone binnen het zendbereik van de afstandsbediening bestuurt.
3. Druk op de RTH (Return to Home)-knop op de afstandsbediening om het Return to Home-proces te starten in plaats van de afstandsbediening uit te schakelen. De drone vliegt dan naar de laatste geregistreerde thuisbasis.
4. Als de drone tijdens de vlucht over extreem donkere (< 15 lux) of heldere (> 10.000 lux) oppervlakken vliegt, is deze niet in staat obstakels te vermijden. Vertrouw NIET op het zichtsysteem en wees altijd alert wanneer u de controle over de drone hebt. Bestuur de drone indien nodig zelf of druk op de RTH-knop om te voorkomen dat de drone naar de thuisbasis terugkeert.
5. Hoge gebouwen kunnen een nadelige uitwerking hebben op de uitvalbeveiligingsfunctie. Het is daarom belangrijk om vóór elke vlucht de juiste hoogte voor uitvalbeveiliging in te stellen. Pas de hoogte van het vliegtuig aan wanneer u naar de thuisbasis terugkeert.
6. De Return to Home-functie werkt NIET als het GPS-signaal onvoldoende is (GPS-signaal van minder dan drie balken) of als het GPS-systeem niet geactiveerd is.
7. In geval van verlies van het signaal van de afstandsbediening en een zwak GPS-signaal, zweeft het vliegtuig gedurende 8 seconden als het vliegtuig de thuisbasis niet kan detecteren en vervolgens automatisch landen als het in de 'P'-stand staat.
8. Als de levensduur van de accu zulks toelaat, keert de drone mogelijk eerst terug naar de laatste positie waarin het verbanding had met de afstandsbediening tijdens de uitvalbeveiligde RTH. Als gevolg hiervan is het mogelijk dat u eerst ziet dat de drone bij u vandaan vliegt en vervolgens pas naar de thuisbasis terugkeert.

### Laag accuniveau

#### OPMERKING

1. Wanneer de waarschuwing voor een kritiek accuniveau wordt geactiveerd en de drone automatisch aan een daling begint, kunt u de gashendel omhoog duwen om de hoogte van de drone te

handhaven en de drone naar een geschiktere locatie te navigeren om te kunnen landen.

2. Wanneer er accuwaarschuwingen worden geactiveerd, brengt u de drone onmiddellijk terug naar de thuisbasis of zet u de drone in elk geval meteen aan de grond om te voorkomen dat de stroom tijdens de vlucht uitvalt en er schade aan de drone, eigendommen, dieren of mensen wordt veroorzaakt.

### D-RTK 2

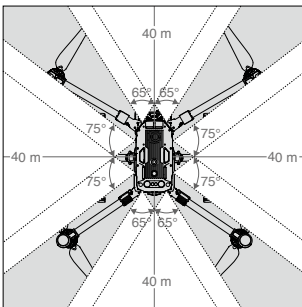
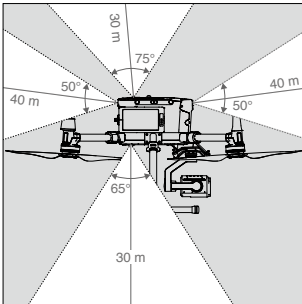
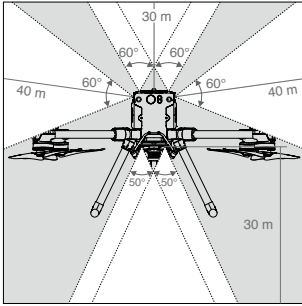
#### OPMERKING

1. Gebruik uitsluitend originele DJI-onderdelen of onderdelen die zijn gecertificeerd door DJI. Niet-goedgekeurde onderdelen of onderdelen van fabrikanten die niet door DJI zijn gecertificeerd, kunnen leiden tot storingen in het systeem en een gevaar voor de veiligheid vormen.
2. Bestuur de drone in een open omgeving zonder radio-interferentie.
3. Blokkeer GEEN van de D-RTK 2-antennes.

### Zichtsysteem en systeem met infraroodsensor

#### OPMERKING

1. Het zichtsysteem werkt goed op hoogtes van maximaal 30 meter boven oppervlakken met duidelijke patroonvariaties. Het zichtsysteem werkt niet wanneer de drone snel vliegt op hoogten van minder dan 0,5 meter.
2. Het zichtsysteem werkt mogelijk NIET goed als de drone boven water vliegt. Vertrouw NIET te veel op het zichtsysteem en bestuur de drone voorzichtig.
3. Het zichtsysteem werkt mogelijk NIET goed in de volgende situaties:
  - a. Bij het vliegen boven oppervlakken met slechts één kleur (bijv. volkomen zwart, volkomen wit, volkomen rood, volkomen groen) of die geen duidelijke textuur hebben.
  - b. Bij het vliegen boven zeer reflecterende oppervlakken.
  - c. Bij het vliegen boven water of transparante oppervlakken.
  - d. Bij het vliegen boven bewegende oppervlakken of voorwerpen (bijv. boven bewegende mensen, wuivend riet, struiken en gras).
  - e. Vliegen in een gebied waar de verlichting vaak of drastisch verandert, of in een gebied met directe sterke verlichting.
  - f. Bij het vliegen boven extreem donkere (< 15 lux) of heldere (> 10.000 lux) oppervlakken.
  - g. Vliegen met hoge snelheden (meer dan 14 m/s op 2 meter of meer dan 5 m/s op 1 meter hoogte).
  - h. Kleine obstakels.
  - i. De lens is vuil (bijv. regendruppels, vingerafdrukken, enz.).
  - j. Scènes met weinig zicht (bijv. zware mist).
4. Het infrarooddetectiesysteem werkt mogelijk NIET goed in de volgende situaties:
  - a. Bij het vliegen boven oppervlakken die geluidsgolven kunnen absorberen (bijv. zuiver water, matie voorwerpen).
  - b. Bij het vliegen boven een groot gebied met sterke reflectoren dat zich over meer dan 15 meter uitstrekt (er worden bijvoorbeeld meerdere verkeersborden naast elkaar geplaatst).
  - c. Kleine obstakels
  - d. Spiegels of transparante voorwerpen (zoals spiegels, water en glas).
5. Kalibratie van het zichtsysteem is vereist als het vliegtuig een crash heeft gemaakt. Kalibreer het zichtsysteem als de DJI Pilot-app u een melding geeft dat u dat moet doen.
6. Vlieg niet in regenachtig en mistig weer of in een andere omgeving met slecht zicht (als u minder dan 100 m zicht hebt).
7. Houd de sensoren van het zichtsysteem en het infrarooddetectiesysteem altijd schoon.
  - a. Verwijder de oppervlaktefilm, stickers en andere obstructies.
  - b. Als er waterdruppels, vingerafdrukken, vuil o.i.d. op de sensoren zitten, veeg ze dan eerst schoon (gebruik een schone doek, geen organische oplosmiddelen zoals alcohol).
  - c. Als het glasoppervlak op de grond is gevallen, is gebarsten of gebroken, is bekrast, versleten is o.i.d. neem dan contact op met de klantenservice van DJI of uw plaatselijke DJI-dealer.
8. Hang of plaats in een ruimte NIETS dat het zichtsysteem en het infrarooddetectiesysteem blokkeert.
9. Verstoort het zichtsysteem en het infrarooddetectiesysteem op geen enkele manier (bijvoorbeeld door een sterke lichtbron te gebruiken om het zichtsysteem te verlichten of door reflectoren op de infraroodsensor te richten) en zorg ervoor dat de sensoren schoon en vrij van vlekken is.
10. Het zichtsysteem en het infrarooddetectiesysteem zijn niet in staat om de drone op een veilige afstand van een obstakel af te remmen en tot stilstand te brengen als de vlieghoogte van de drone groter is dan 25 graden of als de snelheid meer dan 17 m/s bedraagt.
11. Houd rekening met blinde vlekken (grijs) van het zichtsysteem en infrarooddetectiesysteem. De grens van het observatiegebied van de infraroodsensor is 8 m.



## Naleving van regelgeving en voorschriften ten aanzien van

### GEO-zones

#### ⚠ WAARSCHUWING

Neem de volgende regels in acht om gedrag in tegenstelling tot de regels, ernstig letsel en materiële schade te voorkomen:

1. NIET gebruiken in de nabijheid van bemande drones, ongeacht de hoogte. Land onmiddellijk indien nodig.
2. Vlieg NIET met de drone in gebieden waar grote evenementen worden gehouden, inclusief maar niet beperkt tot sportevenementen en concerten.
3. Vlieg NIET met de drone in gebieden waar dit verboden is door lokale wetgeving.
4. Vlieg NIET boven de toegestane hoogte met de drone. Blijf ver uit de buurt van en stoor bemande vliegtuigen NIET. Wees u bewust van en vermijd te allen tijde andere drones/vliegtuigen en obstakels.

#### LET OP

Neem de volgende regels in acht om ernstig letsel en materiële schade te voorkomen:

1. Vlieg de drone NIET in de buurt van of binnen GEO-zones zoals aangegeven in de lokale wetten en voorschriften. De lijst van

GEO-zones omvat: luchthavens, grenzen tussen twee soevereine landen of regio's, grote steden/regio's enz. Deze lijst wordt voortdurend bijgewerkt.

2. Vlieg NIET boven de toegestane hoogte met de drone.
3. Houd uw vliegtuig ALTIJD in het zicht ('visual line of sight', 'VLOS') en gebruik een waarnemer om te helpen indien nodig.
4. Gebruik het vliegtuig NOOIT om illegale of gevaarlijke goederen/ladingen te vervoeren.

#### OPMERKING

1. Zorg ervoor dat u de aard/het soort van uw vluchtactiviteit begrijpt (zoals voor recreatieve doeleinden, voor openbaar gebruik of voor commercieel gebruik) en dat u voorafgaand aan de vlucht de vereiste goedkeuringen en toestemmingen van de betreffende overheidsinstellingen verkregen hebt. Raadpleeg uw lokale toezichthouders voor alle uitgebreide definities en specifieke vereisten. Voor gebruikers die hun drone in de Verenigde Staten besturen, bezoek eerst <http://www.knowbeforeyoufly.org/> en onderteken dienovereenkomstig passende maatregelen.
2. Houd er rekening mee dat op afstand bestuurd vliegtuigen in bepaalde landen en regio's geen commerciële activiteiten mogen uitoefenen. Controleer alle toepasselijke wetten en verordeningen en volg deze na voordat u gaat vliegen, aangezien deze regels kunnen verschillen van de hier vermelde regels.
3. Vlieg NIET in de omgeving van gevoelige infrastructuur of eigendommen zoals energiec centrales, waterzuiveringsinstallaties, penitentiaire inrichtingen, drukbezochte wegen, overheidsfaciliteiten, militaire zones, enz.
4. Respecteer de privacy van anderen wanneer u de camera gebruikt. Voer GEEN surveillance-activiteiten uit zoals beeldregistratie, geluidsopnamen of video-opnamen maken van personen, entiteiten, evenementen, voorstellingen, tentoonstellingen en eigendommen zonder vergunning of wanneer er een verwachting van privacy bestaat, zelfs indien de afbeelding of video slechts wordt vastgelegd, of het geluid slechts wordt opgenomen, voor persoonlijk gebruik.
5. Houd er rekening mee dat het maken van beelden en video's van evenementen, optredens, tentoonstellingen of commerciële eigendommen door middel van een camera in bepaalde gebieden in strijd kan zijn met het auteursrecht of andere wettelijke rechten, zelfs als het beeld of de video voor persoonlijk gebruik opgenomen wordt.

### Beperkingen op het vliegen

#### OPMERKING

DJI neemt vliegveiligheid serieus en heeft daarom verschillende hulpmiddelen ontwikkeld om gebruikers veiliger te laten vliegen. Deze hulpmiddelen bieden geen garantie dat u alle toepasselijke wetten, voorschriften en tijdelijke vluchtbeperkingen naleeft. U bent zelf verantwoordelijk voor uw gedrag bij het vliegen met een DJI-drone.

Het is ten zeerste aan te raden om de firmware te updaten naar de nieuwste versie om ervoor te zorgen dat de volgende functies volledig zijn geüpdatet:

#### GEO-zones

1. Alle GEO-zones staan vermeld op de officiële DJI-website op <http://www.dji.com/flysafe>. GEO-zones zijn ingedeeld in verschillende categorieën en omvatten, maar zijn niet beperkt tot, locaties zoals vliegvelden, vlieggebieden waar bemande vliegtuigen op lage hoogte vliegen, grenzen tussen landen, gevoelige locaties zoals energiec centrales en plaatsen waar grote evenementen plaatsvinden.
2. Vluchtbeperkingen verschillen per zone. Afhankelijk van de beperkingen in een bepaalde zone, kunnen er waarschuwingen verschijnen in de DJI Pilot-app, kan het opstijgen worden verboden, kan de vlieghoogte worden beperkt of kan de drone automatisch handelingen uitvoeren, zoals automatisch landen.
3. Als de drone zich dicht bij of binnen een GEO-zone bevindt, zullen functies voor vlieghandelingen hier in zekere mate door worden beïnvloed. Deze effecten omvatten maar zijn niet beperkt tot: mogelijke afremming van de drone, het niet kunnen aanmaken van een vliegtak en mogelijke onderbreking van een vliegtak die in uitvoering is.
4. Werken met de beperkingen van de GEO-zones geeft geen garantie dat u alle toepasselijke wetten, voorschriften en tijdelijke vluchtbeperkingen naleeft. Raadpleeg uw advocaat of lokale autoriteiten om na te gaan of u die naleeft.

#### Hoogtelimiet

1. Vlieg NIET hoger dan 120 meter boven de grond en blijf uit de buurt van alle omringende obstakels. De wettelijk maximaal toegestane vlieghoogte kan volgens uw lokale wet- en regelgeving lager zijn. Leef strikt alle toepasselijke wetgeving na.
2. Als u van plan bent om boven de standaard hoogtelimiet te vliegen, moet u met de disclaimer die dan verschijnt akkoord te gaan om de nieuwe hoogtelimiet in te kunnen schakelen.

# Resumo de segurança

## 1. Considerações ambientais

- Voe sempre em locais que estejam livres de edifícios e outros obstáculos.
- NÃO voe sobre nem perto de grandes multidões.
- Evite voar em altitudes acima dos 400 pés (120 m)\*.
- Voe em condições meteorológicas moderadas com temperaturas entre -20° a 50°C (-4° a 122°F).
- Tenha cuidado adicional ao voar em espaços interiores, porque as funcionalidades de estabilização da aeronave podem sofrer alguma interferência.
- NÃO voe quando a velocidade do vento exceder os 15 mph ou 33.5 mph. Pause a aeronave assim que possível quando a aplicação DJI Pilot lhe pedir para o fazer.

## 2. Lista de verificação antes do voo

- Certifique-se de que as baterias do telecomando e da aeronave estão completamente carregadas.
- Certifique-se de que as hélices estão em boas condições e bem fixadas antes de cada voo.
- Certifique-se de que nada obstruiu os motores. Verifique se os motores estão limpos e sem manchas.
- Verifique se a lente da câmara está limpa e livre de manchas.
- Preencha a lista de verificação pré-voo apresentada na aplicação DJI Pilot. Calibre a bússola e a IMU quando a aplicação DJI Pilot, ou o indicador de estado, o solicitar.
- Certifique-se de que o número de satélite GPS não é inferior a 6 na aplicação DJI Pilot.
- Alterar ou modificar as peças da aeronave pode ter impacto na sua estabilidade. Siga rigorosamente as instruções oficiais da DJI para ligar equipamento externo compatível e certifique-se de que o peso geral da aeronave não excede 9 kg após o dispositivo de fixação. Certifique-se de que o equipamento externo está montado na posição correta conforme indicado nas instruções oficiais para evitar a deslocação do centro de gravidade da aeronave.
- Certifique-se de que o sistema de visão, os sensores de infravermelhos, as câmaras FPV e a lente das luzes auxiliares estão limpos e livres de manchas ou impressões digitais, e não estão obstruídos por quaisquer peças (por exemplo, carga anexada).
- Certifique-se de que os braços da estrutura estão totalmente desdobrados, os braços da estrutura e as engrenagens de aterragem estão travados firmemente.
- Certifique-se de que a ficha de borracha está bem inserida quando as portas na aeronave e no telecomando não são utilizadas.
- Certifique-se de que todas as ventoinhas de arrefecimento da aeronave estão livres de objetos estranhos e não existe qualquer obstrução na entrada de ar e na ventilação. Certifique-se também de que os ventiladores funcionam sem qualquer ruído anormal.

## 3. Classificação de proteção IP45

Em condições laboratoriais estáveis, a M300 RTK atinge uma classificação de proteção IP45 segundo as normas IEC60529 quando equipado com Baterias de Voo Inteligente TB60. No entanto, esta classificação de proteção não é permanente e pode diminuir ao longo do tempo após utilização a longo prazo.

- NÃO voe quando a quantidade de chuva exceder 100 mm/24 h.
- NÃO dobre os braços da estrutura na chuva.
- Certifique-se de que as portas das baterias, as portas dos compartimentos das baterias, as superfícies das baterias e as superfícies dos compartimentos das baterias estão secas antes de inserir as baterias.
- Certifique-se de que as portas das baterias e as superfícies da bateria estão livres de qualquer líquido antes de carregar as baterias.
- Antes de embalar a aeronave na caixa de transporte, certifique-se de que está livre de qualquer líquido, limpando-a cuidadosamente.
- A garantia do produto não cobre danos por água.



A aeronave DJI™ MATRICE™ 300 RTK (M300 RTK) é um brinquedo e não é indicada para crianças com menos de 18 anos. Tenha em atenção que o "Resumo sobre segurança" fornece apenas uma visão geral rápida das dicas de segurança. Certifique-se de que lê e compreende as restantes secções deste documento.

A aeronave não atinge a classificação de proteção IP45 nas seguintes circunstâncias:

- Braços de estrutura dobrados.
- Utilizou baterias para além das Baterias de Voo Inteligente TB60 do M300 RTK.
- A tampa para as portas não está corretamente encaixada.
- A ficha da camada superior impermeável não está firmemente fixa à camada superior.
- A aeronave está avariada devido a vários motivos, como revestimento de aeronave avariado, falha do adesivo à prova de água, etc.

## 4. Funcionamento

- NÃO desloque a aeronave a partir de um veículo em movimento.
- Para evitar afetar a vida útil do motor, não descole nem aterre em zonas de areia ou poeira.
- Mantenha-se afastado das hélices e dos motores em rotação.
- Mantenha sempre a aeronave no seu campo de visão.
- Para parar os motores a meio do voo, puxe ambos os manípulos do controlo remoto para o cartão interior inferior ou para o canto inferior exterior.
- Parar os motores a meio do voo provocará a queda do drone.
- O motor só pode ser parado em pleno voo quando o controlador deteta um erro crítico.
- Enquanto a aeronave está equipada com tecnologia avançada, é necessário o critério do piloto durante o voo. As funcionalidades de segurança e assistência de voo, como a prevenção de obstáculos, aterragem precisa e proteção de aterragem, são concebidas para ajudar a sua operação e não para a substituir. As condições ambientais, incluindo a iluminação e a textura do obstáculo, podem ter impacto no desempenho do Sistema de Visão.
- NÃO atenda chamadas, não leia mensagens de texto, nem use outros recursos dos seus dispositivos móveis que possam distrair-lo de operar a sua aeronave durante o voo. NÃO utilize o produto sob a influência de álcool ou drogas.
- NÃO voe muito perto de superfícies refletoras como água ou neve, uma vez que estes terrenos podem afetar o desempenho do sistema de visão.
- Na eventualidade de um Aviso de Bateria Fraca, aterre a aeronave imediatamente num local seguro.
- Durante o procedimento de Regresso à Posição Inicial, a aeronave não poderá evitar obstáculos se a condição de luz não for boa. Pode sair do procedimento Regresso à Posição Inicial e operar a aeronave quando o sinal do telecomando for novamente obtido. É importante definir uma altitude para casos de avaria adequada antes de cada voo.
- Após a aterragem, pare primeiro o motor e, em seguida, desligue a Bateria de Voo Inteligente e, em seguida, desligue o telecomando.
- Embora com tecnologia avançada, a discriminação sonora da aplicação DJI Pilot é necessária durante o voo. As funcionalidades de segurança e assistência de voo, como a prevenção de obstáculos, aterragem precisa e proteção de aterragem, são concebidas para ajudar a sua operação e não para a substituir. As condições ambientais, incluindo a iluminação e a textura do obstáculo, podem ter impacto no desempenho do Sistema de Visão. Defina o Altitude do Regresso à Posição Inicial para mais alto do que os obstáculos envolventes na aplicação DJI Pilot.
- Proteção de aterragem (deteta se o solo é adequado para aterragem a uma altitude de 2 metros acima do solo) é utilizado para otimizar a experiência de funcionamento. Esteja sempre alerta quando estiver em controlo da aeronave, uma vez que o sistema de visão pode ser desativado em determinadas situações (por exemplo, iluminação fraca ou padrões de superfície pouco claros dos obstáculos) e a deteção da superfície do solo pode falhar.

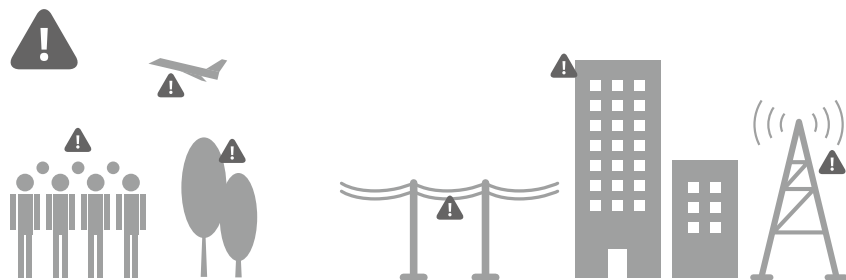
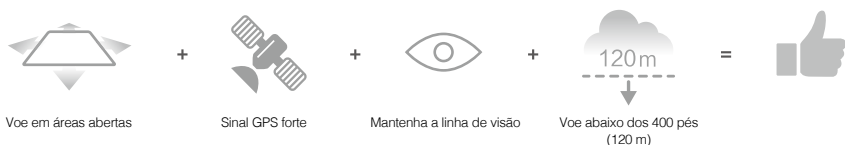
\* A restrição de altitude de voo varia em diferentes jurisdições. NÃO voe acima das altitudes máximas definidas pelas leis e regulamentos locais.

## 5. Manutenção e preservação

- NÃO utilize hélices antigas, lascadas ou partidas.
- Recomenda-se que armazene a aeronave e as baterias num local fresco e seco com temperaturas entre 22 e 30° C (71° e 86° F) e evite exposição à luz solar direta.
- Consulte as Diretrizes de Segurança da Bateria do Voo Inteligente para obter mais informações sobre a utilização segura da bateria.

## 6. Observe as leis e os regulamentos locais

- NÃO voe nas zonas GEO. Pode encontrar informações relevantes destas áreas em <http://fllysafe.dji.com/>. Consulte as autoridades de aviação locais para obter as listas completas e regulamentos das zonas GEO.
- A restrição de altitude do voo varia em diferentes jurisdições. NÃO voe acima das altitudes máximas definidas pelas leis e regulamentos locais.
- Evite voar em áreas onde as equipas de salvamento estão ativamente a usar o espaço aéreo.

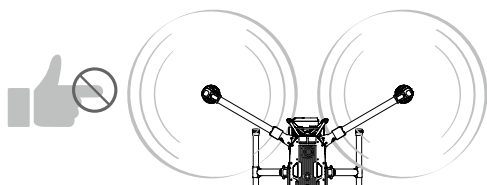


Evite voar sobre ou perto de multidões, árvores ou aeroportos.

Fontes eletromagnéticas fortes, tais como linhas de alimentação, estações de base e edifícios altos podem afetar a bússola integrada. Mantenha-se sempre alerta sobre as imediações durante o voo.



NÃO utilize a aeronave em condições meteorológicas adversas, como chuva, neve, neblina e velocidade do vento superior a 15 m/s ou 33.5 mph.



Mantenha-se afastado das hélices e dos motores em rotação.



Saiba mais em:  
<https://fllysafe.dji.com>

## ATENÇÃO

Todas as instruções e outros documentos colaterais estão sujeitos a alterações ao critério exclusivo da SZ DJI TECHNOLOGY CO., LTD ("DJI"). Para obter informações atualizadas sobre o produto, visite <http://www.dji.com> e verifique na página de produto.

## Glossário

São utilizados os seguintes termos em toda a literatura deste documento para indicar vários níveis de danos possíveis ao utilizar este produto:

**ATENÇÃO** Procedimentos que, caso não sejam seguidos corretamente, criam uma possibilidade de danos materiais E pouca ou nenhuma possibilidade de danos físicos.

**CUIDADO** Procedimentos que, caso não sejam seguidos corretamente, criam a probabilidade de danos materiais E a possibilidade de lesões graves.

**AVISO** Procedimentos que, caso não sejam seguidos corretamente, criam a probabilidade de danos materiais, danos colaterais e danos físicos graves ou criam uma probabilidade elevada de danos físicos graves.

### AVISO

**Leia o manual do utilizador INTEIRO para se familiarizar com as características deste produto antes de o utilizar. A não utilização**

**do produto conforme as instruções do manual do utilizador pode resultar em danos no produto ou em bens materiais e provocar danos físicos graves.**

**Este é um produto sofisticado. Deve ser utilizado com cuidado e bom senso, e requer alguns conhecimentos básicos de mecânica. A utilização deste produto de uma maneira que não seja segura e responsável pode resultar em danos físicos, em danos no produto ou noutros bens materiais. Este produto não se destina a ser utilizado por crianças. NÃO utilize componentes incompatíveis nem altere este produto de alguma forma, a menos que de outra forma permitido pelos documentos relevantes fornecidos pela SZ DJI TECHNOLOGY CO., LTD. Estas diretrizes de segurança contêm instruções de segurança, funcionamento e manutenção. É importante ler e seguir todas as instruções e avisos constantes do manual do utilizador antes da montagem, configuração ou utilização, a fim de poder usar o produto seguramente e evitar danos materiais ou físicos graves.**

**RECOMENDAÇÃO DE IDADE: NÃO SE DESTINA A CRIANÇAS COM IDADE INFERIOR A 18 ANOS. ESTE NÃO É UM BRINQUEDO.**

## Lista de verificação antes do voo

1. Certifique-se de que está a utilizar apenas peças genuínas e que todas as peças estão em perfeitas condições.
2. Certifique-se de que o telecómado, a Bateria de Voo Inteligente e o dispositivo móvel estão totalmente carregados.
3. Antes de ligar o dispositivo, certifique-se de que não há nenhum objeto estranho preso na lente da câmara, de que o cartão microSD foi totalmente inserido na câmara e de que a suspensão cardíaca pode rodar livremente.
4. Certifique-se de que as hélices e os parafusos de montagem estão montados de forma segura nos motores e que os motores podem iniciar e funcionar normalmente.
5. Siga as instruções no ecrã para calibrar a bússola.
6. Certifique-se de que a aplicação DJI Pilot e o firmware da aeronave foram atualizados para a versão mais recente.
7. Certifique-se de que a sua área de voo está fora das zonas GEOGRÁFICAS e as condições do voo são adequadas para voar a aeronave.
8. Certifique-se de que NÃO está a voar sob a influência de álcool, drogas ou qualquer substância que possa prejudicar as suas capacidades cognitivas.
9. Familiarize-se com o modo de voo selecionado e todas as funções e avisos de segurança.
10. Certifique-se de que cumpre todos os regulamentos locais, obtém autorizações adequadas e compreende os riscos. LEMBRE-SE: É da sua responsabilidade cumprir todos os regulamentos aplicáveis.
11. MANTENHA SEMPRE A AERONAVE NO SEU CAMPO DE VISÃO (COM OS SEUS OLHOS). NÃO confie apenas na câmara da primeira pessoa para controlar a sua aeronave.
12. Certifique-se de que a aplicação DJI Pilot é devidamente iniciada para ajudar a sua operação da aeronave. Sem os dados de voo registados pela aplicação DJI Pilot, em determinadas situações (incluindo a perda da sua aeronave) a DJI poderá não conseguir prestar-lhe apoio pós-venda ou assumir responsabilidade.
13. Ao voar aeronave com carga, teste sempre o desempenho mais

alto da aeronave. Certifique-se de que o peso total não excede a especificação normal. Retire a aeronave sem qualquer vibração mecânica forte da aeronave, interferência eletromagnética ou obstrução do sistema de visão ou dos sensores de infravermelhos.

14. Certifique-se de que o sistema de visão, os sensores de infravermelhos, as câmaras FPV e a lente das luzes auxiliares estão limpos e livres de manchas ou impressões digitais, e não estão obstruídos por quaisquer peças (por exemplo, carga anexada).
15. Certifique-se de que os braços da estrutura estão totalmente desdobrados, os braços da estrutura e as engrenagens de aterragem estão travados firmemente.
16. Certifique-se de que a ficha de borracha está bem inserida quando as portas na aeronave e no telecómado não são utilizadas.
17. Certifique-se de que todas as ventoinhas de arrefecimento da aeronave estão livres de objetos estranhos e não existe qualquer obstrução na entrada de ar e na ventilação. Certifique-se também de que os ventiladores funcionam sem ruído anormal.

## Declaração de exoneração de responsabilidade e aviso

Este produto NÃO é um brinquedo e não é adequado para crianças com idade inferior a 18 anos. Os adultos devem manter a aeronave fora do alcance das crianças e exercer cuidado ao utilizar esta aeronave na presença de crianças.

Embora o produto adote tecnologia avançada, o uso inadequado do produto pode resultar em lesões pessoais ou danos à propriedade. Leia os materiais associados ao produto antes de o utilizar pela primeira vez. Estes documentos estão incluídos na embalagem do produto e também estão disponíveis on-line na página de produto DJI em <http://www.dji.com>.

As informações contidas neste documento afetam a sua segurança e os seus direitos legais e responsabilidades. Leia este documento cuidadosamente na íntegra para assegurar uma configuração correta antes da utilização. A não leitura e o incumprimento das instruções e avisos contidos neste documento podem resultar em perda do produto, ferimentos graves ou danos à sua aeronave.

A utilização deste produto significa que o utilizador leu cuidadosamente esta declaração de exoneração de responsabilidade e que compreende e aceita cumprir os termos e condições aqui expostos. SALVO CONFORME EXPRESSAMENTE PREVISTO NAS POLÍTICAS PÓS-VENDA DA DJI (DISPONÍVEIS EM [HTTP://WWW.DJI.COM/SERVICE/POLICY](http://WWW.DJI.COM/SERVICE/POLICY)), O PRODUTO, TODOS OS MATERIAIS E O CONTEÚDO DISPONIBILIZADO ATRAVÉS DO PRODUTO SÃO FORNECIDOS "TAL COMO ESTÃO" E "CONFORME DISPONÍVEL", SEM GARANTIA OU CONDIÇÃO DE QUALQUER ESPÉCIE, EXPLÍCITA OU IMPLÍCITA. A DJI NEGA QUALQUER TIPO DE GARANTIA, EXCETO CONFORME EXPRESSAMENTE INDICADO NAS POLÍTICAS PÓS-VENDA DA DJI. QUER EXPRESSAS OU IMPLÍCITAS, RELACIONADAS COM O PRODUTO, OS SEUS ACESSÓRIOS E TODOS OS MATERIAIS, INCLUINDO: (A) QUALQUER GARANTIA IMPLÍCITA DE COMERCIABILIDADE OU ADEQUAÇÃO A UMA DETERMINADA FINALIDADE, TÍTULO, USUFRUTO OU NÃO-VIOLAÇÃO; E (B) QUALQUER GARANTIA RESULTANTE DA MANIPULAÇÃO, UTILIZAÇÃO OU COMERCIALIZAÇÃO. A DJI NÃO GARANTE, EXCETO CONFORME EXPRESSAMENTE INDICADO NA GARANTIA LIMITADA DJI, QUE O PRODUTO, OS SEUS ACESSÓRIOS, QUALQUER PARTE DO PRODUTO OU QUALQUER MATERIAL SERÁ ININTERRUPTO, SEGURO, OU ISENTO DE ERROS, VÍRUS OU OUTROS COMPONENTES NÓCIVOS, E NÃO GARANTE QUE QUALQUER UM DESTES PROBLEMAS SERÁ CORRIDO.

NENHUM CONSELHO OU INFORMAÇÃO, QUER SEJA VERBAL OU ESCRITO, OBTIDO ATRAVÉS DO PRODUTO, DOS SEUS ACESSÓRIOS OU DE QUALQUER MATERIAL IRÁ CRIAR UMA GARANTIA SOBRE A DJI OU O PRODUTO QUE NÃO ESTEJA EXPRESSAMENTE INDICADA NESTES TERMOS. O UTILIZADOR ASSUME TODOS OS RISCOS POR QUAISQUER DANOS QUE POSSAM RESULTAR DA UTILIZAÇÃO OU DO ACESSO A ESTE PRODUTO, AOS SEUS ACESSÓRIOS E A QUAISQUER MATERIAIS. O UTILIZADOR COMPREENDE E CONCORDA QUE A UTILIZAÇÃO DO PRODUTO ESTÁ SOB A SUA INTEIRA RESPONSABILIDADE E RISCO, SENDO O ÚNICO RESPONSÁVEL POR QUAISQUER DANOS PESSOAIS, MORTE, DANOS À SUA PROPRIEDADE (INCLUINDO O SEU SISTEMA INFORMÁTICO, DISPOSITIVO MÓVEL OU HARDWARE DA DJI UTILIZADO EM LIGAÇÃO COM O PRODUTO) OU PROPRIEDADE DE TERCEIROS, OU A PERDA DE DADOS QUE PODE RESULTAR DA UTILIZAÇÃO OU DA INCAPACIDADE DE UTILIZAR O PRODUTO. ALGUMAS JURISDIÇÕES PODEM PROIBIR A EXCLUSÃO DE RESPONSABILIDADE DE GARANTIAS E O UTILIZADOR PODERÁ TER OUTROS DIREITOS QUE VARIAM CONFORME A JURISDIÇÃO.

A DJI não assume qualquer responsabilidade pelos danos ou ferimentos ou quaisquer responsabilidades legais decorrentes direta ou indiretamente da utilização deste produto. O utilizador deve observar as práticas seguras e legais, incluindo, entre outras, as apresentadas nestas diretrizes de segurança.

## Armazenamento e utilização de dados

Quando utilizar a nossa aplicação móvel ou os nossos produtos ou outro software, dados sobre a utilização e funcionamento do produto, como dados de telemetria de voo (por exemplo, velocidade, altitude, duração da bateria e informações sobre a suspensão cardíaca e a câmara) e registos de operações, podem ser fornecidos à DJI. O dispositivo de armazenamento interno incorporado no produto armazena vários tipos de dados, incluindo dados de telemetria de voo. Também pode fornecer-nos dados de telemetria de voo e outros dados quando transmite manualmente essa informação do dispositivo de armazenamento interno para nós.

Consulte a Política de Privacidade da DJI (disponível em <http://www.dji.com/policy>) para obter mais informações.

## Antes de começar

Este produto é uma aeronave que oferece um voo fácil quando em boas condições de funcionamento, conforme estabelecido abaixo. Visite <http://www.dji.com> para conhecer as instruções e os avisos mais atualizados, e <http://knowbeforeyoufly.org> para obter mais informações sobre a segurança de voo e a conformidade.

Os seguintes documentos foram desenvolvidos para o ajudar a utilizar com segurança e a tirar o máximo partido da sua aeronave:

- Incluído na embalagem
- Declaração de exoneração de responsabilidade e diretrizes de segurança
- Diretrizes de segurança da bateria de voo inteligente
- Guia de início rápido
- Manual do utilizador

Assinale todas as peças incluídas no documento Incluído na embalagem e leia as Diretrizes de Isenção de Responsabilidade e de Segurança antes do voo. Em seguida, prepare-se para o seu primeiro voo utilizando o Guia de Iniciação Rápida e veja todos os vídeos tutoriais no website oficial da DJI (<http://www.dji.com>). Se tiver dúvidas, consulte o Manual do Utilizador na aplicação ou o website oficial da DJI para obter informações mais abrangentes. Certifique-se de que compreende totalmente a funcionalidade de cada parte individual, os requisitos da condição do voo, as principais funções/sistemas de aviso de contingência e todos os regulamentos governamentais antes de cada voo. Se tiver quaisquer dúvidas ou problemas durante a montagem, manutenção ou utilização deste produto, contacte a DJI ou um revendedor autorizado da DJI.

## Peças individuais

### Relativamente a peças genuínas e funcionais

#### **AVISO**

Para evitar avarias no componente, lesões graves e danos materiais, observe as seguintes regras:

- Utilize apenas peças DJI genuínas ou peças certificadas pela DJI. Peças ou peças não autorizadas de fabricantes certificados não DJI podem causar avarias no sistema e comprometer a segurança.
- Certifique-se de que não existem objetos estranhos (como água, óleo, sujidade, areia, etc.) dentro da aeronave ou dos seus componentes.
- Certifique-se de que a aeronave e os seus componentes – incluindo, entre outros, o telecomando, câmara, suspensão cardíaca, bússola, sistema de propulsão e bateria – estão todos em bom estado de funcionamento, sem danos e funcionam bem. Consulte as restantes secções neste documento para obter mais detalhes sobre como garantir a funcionalidade destes componentes.
- NÃO modifique nem altere a aeronave, os seus componentes e peças. A modificação não autorizada pode causar avarias e afetar a funcionalidade e segurança da aeronave.
- Certifique-se de que todas as ventoinhas de arrefecimento da aeronave estão livres de objetos estranhos e não existe qualquer obstrução na entrada de ar e na ventilação.
- Todos os acessórios que seriam utilizados em conjunto com M300 RTK, incluindo mas não limitado a suspensão cardíaca, Radar CSM, devem ser utilizados apenas com a aeronave. Os utilizadores assumem total responsabilidade pelos danos causados pelos acessórios que foram utilizados com outros produtos não oficiais.
- NÃO utilize cum abo não-DJI para ligar as portas da aeronave, o que pode causar avarias no sistema e comprometer a segurança.

### Sistema de transmissão de vídeo

#### **ATENÇÃO**

- Ative o modo "Personalizado" apenas sob orientação de profissionais. Caso contrário, o sinal de transmissão de vídeo pode ficar lento ou mesmo perder-se devido a interferência.

## Telecomando

#### **ATENÇÃO**

- Carregue totalmente o Controlador Inteligente antes de cada voo.
- Se o Controlador Inteligente estiver ligado e o Ecrã Tátil estiver desligado durante cinco minutos, será acionado um som de alerta. Dez segundos após o som do alerta, o Controlador Inteligente desliga-se automaticamente. Mova os manipuladores ou execute alguma outra ação para cancelar o alerta.
- Para alcançar a melhor qualidade de transmissão, certifique-se de que as antenas estão desdobradas e ajustadas na posição correta para alcançar uma qualidade de transmissão ótima.
- Contacte o apoio da DJI para reparar ou substituir as antenas se estiverem danificadas. As antenas danificadas diminuíram significativamente o desempenho.
- Ligue novamente o Controlador Inteligente e a aeronave se mudar a aeronave.
- Certifique-se de que desliga a aeronave antes do Controlador Inteligente.
- Carregue totalmente o Controlador Inteligente a cada três meses.
- Carregue imediatamente o Controlador Inteligente quando o seu nível de energia baixar para 10% para evitar que o Controlador Inteligente fique danificado devido a descarga excessiva durante um período prolongado. Descarregue o Controlador Inteligente para um nível de energia entre 40% e 60% se armazenado durante um período de tempo prolongado.
- NÃO tape a saída de ar no Controlador Inteligente. Caso contrário, o Controlador Inteligente pode ficar muito quente, o que pode afetar o seu desempenho.
- NÃO desmonte o Controlador Inteligente sem a assistência de um revendedor autorizado da DJI. Entre sempre em contacto com a DJI ou com um revendedor autorizado DJI para substituir os componentes do Controlador Inteligente.
- NÃO bloqueie o GPS incorporado. Nos casos em que o suporte de montagem do ecrã empresarial do controlador inteligente da DJI (dormente designado "Suporte de montagem") está instalado, remova-o e tente novamente se o sinal GPS for fraco.
- Para evitar o desgaste das coberturas de prensação, NÃO desmonte as paus com frequência.

## Bússola

#### **CUIDADO**

Para evitar possíveis lesões graves e danos materiais, observe as seguintes regras:

- Altere imediatamente quando ocorrer um desvio óbvio durante o voo.
- NÃO voe num ambiente com forte interferência eletromagnética ou espaço com muita obstrução.
- Se a aplicação DJI Pilot requerer a calibração da bússola antes da decolagem, descole após a calibração num ambiente sem interferência eletromagnética.

#### **ATENÇÃO**

Calibre a bússola apenas quando a aplicação DJI Pilot, ou o indicador de estado, o solicitar. Observe as seguintes regras ao calibrar a sua bússola:

- NÃO calibre a sua bússola quando existir interferência magnética, como interferência por magnetite, estruturas de estacionamento ou reforços de aço subterrâneos.
- NÃO transporte materiais ferromagnéticos consigo durante a calibração, como telemóveis.
- A aplicação DJI Pilot irá pedir-lhe para resolver a questão da bússola se a bússola for afetada por interferências fortes após a conclusão da calibração. Siga as instruções solicitadas para resolver o problema da bússola.

## Sistemas de propulsão

#### **AVISO**

Para evitar lesões graves a si ou a outros, que possam ser causados pelas hélices rotativas e motores, observe as seguintes regras:

#### Hélices

- NÃO utilize hélices envelhecidas, lascadas ou partidas.
- Verifique sempre a aeronave antes de tocar nas hélices.
- Esteja atento às arestas afiadas das hélices quando montar ou remover as hélices. Use luvas ou tome outras medidas de proteção ao tocar nas hélices.
- Sempre que necessário, utilize ferramentas (por exemplo, chave, chave de fendas, alicate, etc.) para remover ou instalar as hélices.
- Certifique-se de que as hélices e os parafusos de montagem estão montados de forma segura para evitar que caiam nos motores.
- NÃO ligue os motores quando as hélices estiverem montadas e

existirem outras pessoas ou animais nas proximidades.

7. A utilização de hélices de terceiros pode comprometer a aerodinâmica da aeronave. Para uma experiência de voo melhor e mais segura, recomendamos que utilize apenas hélices DJI originais.
8. Limpe as hélices para as tornar secas antes de cada voo em que a temperatura circundante esteja a cerca de 0 °C (32 °F) para evitar que as hélices congelem.

#### Motores

1. Certifique-se de que os motores estão montados de forma segura e que rodam suavemente.
2. Certifique-se de que a instalação e o motor funcionam normalmente antes de cada voo. Se os orifícios de ventilação nos motores estiverem bloqueados, limpe-os antes do voo. Se a cobertura for envelhecida, danificada ou deformada, contacte a DJI ou um revendedor autorizado da DJI.
3. NÃO tente modificar a estrutura dos motores.
4. NÃO toque nem deixe que as suas mãos ou o seu corpo entrem em contacto com os motores após o voo, pois estes podem estar quentes.

#### Controladores de velocidade eletrónica

1. Se necessário antes de cada voo, siga as indicações da aplicação para corrigir as anomalias dos controladores de velocidade eletrónica.
2. Aterre a aeronave se a aplicação DJI Pilot indicar que há algo de errado com os controladores de velocidade eletrónica (por exemplo, temperatura excessiva, baixa tensão ou sobrecarga).

#### CUIDADO

Para evitar possíveis lesões graves e danos materiais, observe as seguintes regras:

1. NÃO obstrua os orifícios de ventilação dos motores.
2. NÃO obstrua os orifícios de ventilação no braço da estrutura da aeronave.

#### ATENÇÃO

#### Motores

1. Para evitar afetar a vida útil do motor, não descole nem aterre a aeronave em zonas de areia ou poeira.
2. Mantenha os motores sem pó e certifique-se de que os ventiladores do motor não estão bloqueados.
3. Se um motor estiver preso e incapaz de rodar livremente, execute o CSC (Combinação de Combinação) para parar imediatamente os motores.

#### Controladores de velocidade eletrónica

Certifique-se de que os controladores de velocidade eletrónica emitem um ajuste normal quando ligado.

#### Aplicação DJI Pilot

#### ATENÇÃO

1. Certifique-se de que carrega totalmente o seu tablet ou dispositivo móvel (se utilizado) antes de iniciar a aplicação.
2. Se estiver a utilizar um telefone como dispositivo de visualização móvel, certifique-se de que continua a voar em segurança quando o telefone receber uma chamada. NÃO aceite chamadas telefónicas durante o voo.
3. Para utilizar a aplicação DJI Pilot, são necessários os dados móveis do dispositivo. Contacte a sua operadora de rede sem fios para obter os custos de dados.
4. Leia atentamente todas as recomendações de segurança, mensagens de aviso e declarações de exoneração de responsabilidade. Familiarize-se com os regulamentos relacionados na sua área. E o único responsável por ter conhecimento de todos os regulamentos relevantes e voar de uma forma que esteja em conformidade.
  - a. Leia e compreenda as mensagens de aviso antes de repor o seu Ponto Inicial.
  - b. Leia e compreenda as mensagens de aviso e a declaração de exoneração de responsabilidade antes de definir a altitude acima do limite regulamentar.
  - c. Leia e compreenda as mensagens de aviso e a declaração de exoneração de responsabilidade antes de mudar de modo de voo.
5. Aterre a sua aeronave de imediato num local seguro se a aplicação apresentar um alerta.
6. Examine e verifique todas as mensagens de aviso na lista de verificação apresentada na aplicação antes de cada voo.
7. Utilize o DJI ASSISTANT™ 2 para treinar as suas capacidades de voo caso nunca tenha operado a aeronave ou caso não tenha experiência suficiente para se sentir confortável a operar a aeronave.
8. Antes de cada voo, grave na cache os dados do mapa da área

onde pretende fazer a voar a aeronave através da ligação à Internet.

9. A aplicação foi concebida para ajudar a sua operação. Use o seu critério e NÃO confie na aplicação para controlar a sua aeronave.
10. A sua utilização da aplicação está sujeita aos termos de utilização da DJI Pilot e à Política de privacidade da DJI. Leia-os cuidadosamente na aplicação.

#### Firmware

#### AVISO

Para evitar lesões graves em crianças e animais, observe a seguinte regra:

1. Mantenha crianças e animais a uma distância segura durante qualquer procedimento de atualização de firmware, calibração do sistema e definição de parâmetros.

#### ATENÇÃO

1. Por razões de segurança, atualize sempre o firmware para a versão mais recente quando for apresentada uma notificação de atualização na aplicação DJI Pilot.
2. As notificações de atualização de firmware irão informá-lo sobre novas atualizações de firmware. É necessário ler e compreender as informações apresentadas.
3. Certifique-se de que atualiza o firmware do telecomando para a versão mais recente depois de atualizar o firmware da aeronave.
4. O telecomando poderá desligar-se da aeronave após a atualização.
5. Não se esqueça de verificar todas as ligações e de retirar as hélices dos motores antes de efetuar a atualização do firmware.

#### SDK

#### ATENÇÃO

1. Antes de utilizar o DJI SDK, deve concordar com os Termos de Utilização do DJI SDK e a Política de Privacidade da DJI. Estes Termos de Utilização e Política de Privacidade limitam algumas das responsabilidades legais da DJI, leia-as cuidadosamente em <https://developer.dji.com/policies/>.

#### Câmara (opcional)

#### AVISO

Para evitar possíveis lesões graves e danos materiais, observe a seguinte regra:

1. NÃO bloqueie quaisquer orifícios de ventilação na câmara, uma vez que o calor gerado pode feri-lo e danificar o dispositivo.

#### ATENÇÃO

1. Antes de utilizar, verifique as definições da câmara para se certificar de que são ajustadas para se adequarem às suas necessidades.
2. Teste a câmara ao fotografar algumas imagens de teste e verifique se está a funcionar corretamente antes de gravar imagens ou vídeos importantes.
3. NÃO retire o cartão microSD da câmara com suspensão cardá quando esta se encontrar ligada. Utilize cartões microSD recomendados oficialmente.
4. Certifique-se de que desliga a Bateria do Voo Inteligente corretamente, caso contrário os parâmetros da câmara NÃO serão guardados e os vídeos gravados podem ficar danificados.
5. A DJI não assume a responsabilidade por qualquer falha de imagem ou vídeo que seja ou tenha sido gravado num formato não legível por máquina.

#### Suspensão cardá (opcional)

#### ATENÇÃO

1. Os elementos de precisão na suspensão cardá podem ficar danificados numa colisão ou impacto, podendo assim provocar o mau funcionamento da suspensão cardá.
2. NÃO aplique força externa na suspensão cardá depois de esta ser ligada.
3. NÃO adicione qualquer carga à suspensão cardá, pois tal pode provocar o mau funcionamento da suspensão cardá ou até danificar o motor.
4. O conector da suspensão cardá e suspensão cardá é bastante delicado. Manuseie com cuidado e NÃO toque no conector da suspensão cardá, uma vez que qualquer dano fará com que funcione anormalmente.
5. Segure firmemente a suspensão cardá ao desprender ou reconectá-la, para que não caia.
6. NÃO ligue nem remova a suspensão cardá com a aeronave ligada.
7. Ao utilizar o sistema com várias suspensões cardá, certifique-se de que segue rigorosamente as instruções no manual do utilizador,



montando as câmaras da suspensão cardí compatíveis corretamente.

## Cuidados com o produto

### Armazenamento e transporte

#### ⚠️ AVISO

Para evitar lesões graves em crianças e animais, observe a seguinte regra:

1. As pequenas peças, tais como cabos e correias, são perigosas em caso de ingestão. Mantenha todas as peças fora do alcance de crianças e animais.

#### ⚠️ ATENÇÃO

1. Carregue totalmente e descarregue a bateria regularmente para manter a saúde da bateria. Consulte as Diretrizes de Segurança da Bateria do Voo Inteligente para obter mais informações sobre a utilização segura da bateria.
2. NÃO permita que a câmara entre em contacto com, ou fique imersa em água ou outros líquidos. Se ficar molhada, seque com um pano macio e absorvente. Ligar uma aeronave que caiu na água pode causar danos permanentes nos componentes. NÃO utilize substâncias que contenham álcool, benzeno, diluentes ou outras substâncias inflamáveis para limpar ou manter a câmara. NÃO armazene a câmara em áreas húmidas com um pó.
3. Desprenda a suspensão cardí da aeronave durante um longo período de tempo ou transporte em longas distâncias.
4. NÃO ligue este produto a qualquer interface USB que seja anterior à versão 2.0. NÃO ligue este produto a qualquer dispositivo USB ou semelhante.
5. Os braços da estrutura e as hélices devem ser desdobrados no local original durante o transporte, ou as antenas podem ser danificadas. Coloque a aeronave no chão suavemente para evitar danos na IMU e noutras peças.

### Manutenção e preservação

#### ⚠️ ATENÇÃO

1. Contacte os centros de assistência recomendados pela DJI para inspeção ou reparação do produto após qualquer acidente ou impacto violento. A utilização de aeronaves danificadas é muito perigosa e pode causar lesões corporais ou danos materiais.
2. Carregue totalmente e descarregue a bateria regularmente para manter a saúde da bateria. Consulte as Diretrizes de Segurança da Bateria do Voo Inteligente para obter mais informações sobre a utilização segura da bateria.
3. Recomenda-se a marcação regular de um serviço de manutenção para segurança e fiabilidade do voo. Consulte as Diretrizes de segurança da bateria de voo inteligente para mais detalhes.
4. Verifique regularmente os indicadores do nível da bateria para ver o nível atual de carga da bateria e a vida útil geral da bateria. A bateria está classificada para 200 ciclos. NÃO recomendamos a utilização posteriormente. Consulte as Diretrizes de Segurança da Bateria do Voo Inteligente para obter mais informações sobre a utilização e manutenção seguras da bateria.
5. Consulte o manual de manutenção para obter informações sobre como verificar e manter o produto após a utilização durante um longo período de tempo, para manter o produto nas melhores condições possíveis e reduzir potenciais perigos de segurança. A frequência com que a manutenção deve ser realizada depende da frequência com que o produto é utilizado, mas a manutenção deve ser realizada pelo menos uma vez a cada seis meses. O produto também pode ser enviado para a DJI para manutenção. Visite <https://enterprise.dji.com/enterprise-maintenance> para mais informações.
6. As peças do M300 RTK têm uma vida útil. A partir do momento da primeira utilização, a utilização de peças como o propulsor e o amortecedor da suspensão cardí tem uma vida útil de 300 horas, enquanto os componentes do sistema de propulsão têm uma vida útil de 900 horas. Podem existir potenciais perigos de segurança se o produto for utilizado após a vida útil ter passado. A DJI não é responsável por quaisquer riscos que possam surgir de continuar a utilizar o produto.

## Requisitos da condição de voo

### Condições meteorológicas e ambiente circundante

#### ⚠️ AVISO

A aeronave foi concebida para funcionar em condições meteorológicas boas a moderadas. Para evitar colisão, lesões graves e danos materiais, observe as seguintes regras:

1. NÃO utilize a aeronave em condições meteorológicas adversas. Estas incluem elevadas velocidades do vento superiores a 15 m/s, neve, chuva forte, nevoeiro, granizo, relâmpagos, tornados ou furacões.
2. Mantenha a aeronave a pelo menos 30 pés (10 metros) de distância

de obstáculos, pessoas, animais, edifícios, infraestruturas públicas, árvores e corpos de água quando estiver em voo. Mantenha-se ainda mais longe dos objetos acima à medida que a altitude aumenta.

3. Tenha CUIDADO EXTRA quando operar a aeronave no interior. Algumas características da aeronave, especialmente a funcionalidade de estabilização, podem ser afetadas.
4. Certifique-se de que ativa o Sistema de Visão ao voar no interior. Tenha em atenção que o Sistema de Visão pode NÃO funcionar corretamente quando está a voar sobre água, sobre superfícies sem um padrão claro ou num ambiente escuro.

#### ⚠️ ATENÇÃO

1. O desempenho da aeronave e da bateria estão sujeitos a fatores ambientais, tais como a densidade do ar e a temperatura.
  - a. NÃO opere a aeronave quando a temperatura estiver fora do intervalo de -20° a 50° C (-4° a 122° F).
2. NÃO utilize a aeronave perto de acidentes, incêndios, explosões, inundações, tsunamis, avalanches, deslizamentos, terramotos, poeira ou tempestades.

### Interferência com comunicações

#### ⚠️ ATENÇÃO

1. Verifique se alguma parte da aeronave foi atingida ou danificada. Contacte o apoio da DJI ou os revendedores autorizados quando necessário.
2. Voe em áreas abertas. Edifícios altos ou estruturas de aço podem afetar a precisão da bússola incorporada e bloquear o sinal de GPS.
3. Evite interferências entre o telecommando e outros equipamentos sem fios. Certifique-se de que desliga o Wi-Fi no seu dispositivo móvel.
4. Esteja extremamente alerta ao voar perto de áreas com interferência magnética ou rádio. Estas incluem, mas NÃO estão limitadas a: linhas de alta tensão, estações de transmissão de alta escala ou estações de base móvel e torres de difusão. Se não o fizer, pode comprometer a qualidade da transmissão deste produto ou causar erros no telecommando e na transmissão de vídeo, que poderão afetar a orientação do voo e a precisão da localização. A aeronave pode comportar-se anormalmente ou ficar fora do controlo em áreas com demasiada interferência.

### Operar a aeronave de forma responsável

#### ⚠️ AVISO

Para evitar lesões graves e danos materiais, observe as seguintes regras:

1. Certifique-se de que NÃO está alcoolizado, ou sob a influência de drogas, anestesia ou a sofrer de tonturas, fadiga, náuseas ou quaisquer outras condições, físicas ou mentais, que possam prejudicar a sua capacidade de operar a aeronave com segurança.
2. Ao aterrar, desligue a aeronave primeiro e, em seguida, desligue o telecommando.
3. NÃO deixe cair, lance, dispare ou de outro modo projete quaisquer cargas perigosas em ou sobre quaisquer edifícios, pessoas ou animais, ou que possam causar lesões pessoais ou danos materiais.
4. NÃO use uma aeronave que tenha tido um acidente ou tenha sido acidentalmente atingida ou uma aeronave que não esteja em boas condições.

#### ⚠️ ATENÇÃO

1. Certifique-se de que recebeu formação suficiente e está totalmente ciente de quaisquer planos de contingência antes de ocorrerem acidentes.
2. Certifique-se de que tem um plano de voo e nunca voe a aeronave de forma negligente.
3. Respeite a privacidade dos outros quando utilizar a câmara. Certifique-se de que cumpre as leis, regulamentos e normas morais locais.
4. NÃO utilize este produto por qualquer outro motivo que não a utilização pessoal geral. NÃO o utilize para qualquer finalidade ilegal ou inapropriada (tais como espionagem, operações militares ou investigações não autorizadas).
5. NÃO utilize este produto para difamar, abusar, assediar, perseguir, ameaçar ou de outra forma violar os direitos legais (tais como o direito de privacidade e publicidade) de outros.
6. NÃO ultrapasse a propriedade privada de outros.

## Modos de voo, funções e avisos

### Modos de voo

#### ⚠️ AVISO

NÃO mude do modo P para o modo S ou modo T, a menos que esteja suficientemente familiarizado com o comportamento da aeronave em

cada modo de voo. Tem de ativar a definição "Múltiplos modos de voo" na aplicação antes de poder mudar do modo P para outros modos.

A aeronave entrará automaticamente no modo Atitude quando ambas as condições seguintes forem cumpridas: (1) o sistema de visão não estiver disponível e (2) se houver sinal GPS fraco ou se a bússola tiver interferência.

No modo Atitude, o Sistema de Visão e algumas funcionalidades avançadas são desativados. Assim, a aeronave não pode posicionar-se ou travar automaticamente neste modo e é facilmente afetada pelo seu ambiente, o que pode resultar em mudanças horizontais. Utilize o telecomando para posicionar a aeronave.

Podem ser difícil manobrar a aeronave no modo Atitude. Antes de mudar a aeronave para o modo Atitude, certifique-se de que está à vontade para voar neste modo. NÃO voe a potenciais perigos de voo, por isso aterre-não local seguro o mais rápido possível.

Evite voar em áreas em que o sinal GPS seja fraco ou em espaços estreitos e confinados. A aeronave será, de outra forma, forçada a entrar no modo Atitude, levando a potenciais perigos de voo, por isso aterre-não local seguro o mais rápido possível.

#### ATENÇÃO

O modo P é preferido para a maioria dos cenários de voo. Ao voar noutros modos, tome precauções ADICIONAIS porque algumas funcionalidades NÃO estarão disponíveis. Ao voar no modo Atitude, tome precauções ADICIONAIS porque algumas funcionalidades NÃO estão disponíveis no modo Atitude. Ao voar no interior, a aeronave não consegue pairar com precisão ao voar por cima das superfícies que não têm um padrão claro. Consulte a secção "Sistema de Visão e Sistema de Detecção de Infravermelhos" para obter os critérios completos de voo no interior.

1. Modo P (posicionamento): O modo P funciona melhor quando o sinal de GPS é forte. A aeronave utiliza o GPS e Sistema de Visão para se estabilizar automaticamente.
2. Modo S (desporto): O modo S é idêntico ao modo P em termos de definições do controlador de voo, à exceção de que os valores de ganho de manuseamento da aeronave são ajustados para melhorar a manobrabilidade da aeronave. A velocidade máxima de voo da aeronave é aumentada neste modo.
3. Modo T (Tripé): O modo T baseia-se no modo P, mas com uma velocidade de voo limitada, o que torna o movimento da aeronave mais facilmente controlado.

#### Voltar à posição inicial

##### ATENÇÃO

1. A função Regressar à Posição Inicial pode ser afetada pelo clima, ambiente ou campos magnéticos próximos.
2. Certifique-se de que opera a aeronave dentro do alcance de transmissão do telecomando.
3. Prima o botão RTH (Regressar à Posição Inicial) no telecomando para iniciar o processo Regressar à Posição Inicial em vez de desligar o telecomando. E a aeronave irá voar para o ponto inicial mais recente registado.
4. Durante o voo, se a aeronave estiver a voar sobre superfícies extremamente escuras (< 15 lux) ou brilhantes (> 10 000 lux), não poderá evitar obstáculos. NÃO confie no sistema de visão e esteja sempre atento quando estiver em controlo da aeronave. Controle a aeronave sozinho, se necessário, ou pressione o botão RTH para impedir que a aeronave volte para a posição inicial.
5. Os edifícios altos podem afetar adversamente a função de segurança física. Portanto, é importante definir uma altitude de Failsafe adequada antes de cada voo. Ajuste a altitude da aeronave enquanto regressa à posição inicial.
6. A função Regressar à Posição Inicial NÃO funcionará se o sinal GPS for insuficiente (sinal GPS inferior a três barras) ou se o GPS não estiver ativo.
7. Em caso de perda do sinal do telecomando e o sinal GPS for fraco, se a aeronave não conseguir detetar o Ponto Inicial, a aeronave irá pairar durante 8 segundos e depois aterrará automaticamente se estiver no modo "P".
8. Se a duração da bateria assim o permitir, a aeronave pode primeiro regressar à última posição onde teve ligação com o telecomando durante o RTH de Failsafe. Como resultado, pode observar a aeronave a voar primeiro para longe de si e, em seguida, a regressar ao ponto inicial.

#### Bateria fraca

##### ATENÇÃO

1. Quando o Aviso de Nível da Bateria Crítico é ativado e a aeronave descer automaticamente, pode empurrar o acelerador para manter a altitude da aeronave e navegá-la para um local mais apropriado para aterrar.
2. Quando os avisos da bateria são acionados, traga imediatamente

a aeronave de volta para o Ponto Inicial ou aterre para evitar perder energia durante o voo e provocar danos na aeronave, propriedade, animais e pessoas.

#### D-RTK 2

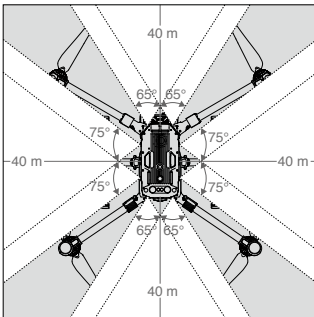
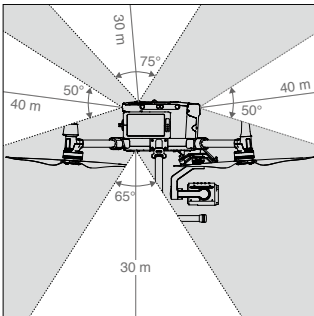
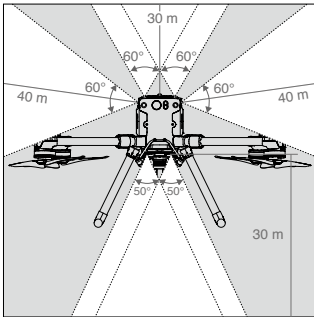
##### ATENÇÃO

1. Utilize apenas peças DJI genuínas ou peças certificadas pela DJI. Peças ou peças não autorizadas de fabricantes certificados não-DJI podem fazer com que o sistema avarie e comprometa a segurança.
2. Opere num ambiente aberto sem interferência rádio.
3. NÃO obstrua quaisquer antenas D-RTK 2.

#### Sistema de visão e sistema de deteção por infravermelhos

##### ATENÇÃO

1. O Sistema de Visão funcionará corretamente a uma altura que atinge até 30 metros sobre superfícies com variações de padrão claras. O sistema de visão não consegue funcionar quando a aeronave está a voar rapidamente a altitudes abaixo de 0,5 metros.
2. O Sistema de Visão pode NÃO funcionar corretamente quando a aeronave estiver a voar sobre a água. NÃO confie demasiado no sistema de visão e opere a aeronave com cuidado.
3. O Sistema de Visão pode NÃO funcionar corretamente quando numa das situações seguintes:
  - a. Voar sobre superfícies monocromáticas (por exemplo, sobre preto puro, branco puro, vermelho puro, verde puro) ou sem textura clara.
  - b. Voar em superfícies altamente refletoras.
  - c. Voar sobre água ou superfícies transparentes.
  - d. Voar em superfícies ou objetos móveis (por ex., acima de pessoas em movimento, canaviais, arbustos e relva).
  - e. Operação em zonas nas quais a iluminação muda de forma frequente e drástica, ou em zonas nas quais existe exposição direta a iluminação forte.
  - f. Voar sobre superfícies extremamente escuras (< 15 lux) ou brilhantes (> 10 000 lux).
  - g. Voar a altas velocidades (mais de 14 m/s a 2 metros ou mais de 5 m/s a 1 metro).
  - h. Pequenos obstáculos.
  - i. A lente está suja (por ex.: gotas de chuva, dedadas, etc.).
  - j. Cenários com fraca visibilidade (por ex.: nevoeiro forte).
4. O Sistema de Detecção de Infravermelhos pode NÃO funcionar corretamente quando numa das situações seguintes:
  - a. Voar em superfícies que podem absorver ondas sonoras (por exemplo, objetos pretos puros e foscos).
  - b. Existir uma grande área de refletores fortes para além dos 15 m (por exemplo, são colocados vários sinais de trânsito lado a lado).
  - c. Pequenos obstáculos
  - d. Espelhos ou objetos transparentes (como espelhos, água e vidro).
5. A calibração do Sistema de Visão é necessária se a aeronave sofrer um acidente. Calibre o Sistema de Visão se a aplicação DJI Pilot lhe pedir para o fazer.
6. Evite voar com tempo de chuva e nevoeiro ou outros ambientes com baixa visibilidade (visibilidade abaixo de 100 m).
7. Mantenha sempre limpos os sensores do Sistema de Visão e do Sistema de Detecção de Infravermelhos.
  - a. Remova a película de superfície, autocolantes e outras obstruções.
  - b. Se houver gotas de água, impressões digitais, sujidade, etc., limpe-as primeiro (utilize um pano limpo, não solventes orgânicos, como álcool).
  - c. Se o vidro da superfície cair, se partir, for arranhado, se desgastar, etc., entre em contacto com o serviço pós-venda da DJI ou do revendedor local.
8. NÃO pendure nem coloque nada numa área que bloqueie o Sistema de Visão e o Sistema de Detecção de Infravermelhos.
9. NÃO interfira com o Sistema de Visão e com o Sistema de Detecção de Infravermelhos de forma alguma (por exemplo, utilizando uma fonte de luz forte para iluminar o Sistema de Visão ou utilizando refletores especulares em direção ao sensor de infravermelhos) e certifique-se de que a lente do sensor está limpa e livre de manchas.
10. O Sistema de Visão e o Sistema de Detecção de Infravermelhos não conseguem travar e parar a aeronave a uma distância segura de um obstáculo se o ângulo da atitude da aeronave for superior a 25 graus ou se a velocidade exceder os 17 m/s.
11. Tenha em atenção os pontos cegos (cinzento) do Sistema de Visão e do Sistema de Detecção de Infravermelhos. O intervalo de observação do sensor de infravermelhos é de 8 m.



## Conformidade com regulamentos e Zonas GEO

### Regulamentos

#### AVISO

Para evitar comportamentos não conformes, lesões graves e danos materiais, observe as seguintes regras:

1. NÃO opere na proximidade de aeronaves tripuladas, independentemente da altitude. Aterre de imediato, se necessário.
2. NÃO voe a aeronave em áreas onde existam grandes eventos, incluindo, entre outros, eventos desportivos e concertos.
3. NÃO voe a aeronave em zonas proibidas pelas leis locais.
4. NÃO desloque a aeronave acima da altitude autorizada. Mantenha-se bem afastado e NÃO interfira com as operações de aeronaves tripuladas. Esteja sempre atento e evite outras aeronaves e obstáculos.

#### CUIDADO

Para evitar lesões graves e danos materiais, observe as seguintes regras:

1. NÃO voe com a aeronave perto ou dentro das Zonas GEO especificadas por leis e regulamentações locais aplicáveis.

A lista de Zonas GEO de exclusão aérea inclui: aeroportos, fronteiras entre dois países ou regiões soberanas, principais cidades/regiões, etc., e é atualizada constantemente.

2. NÃO desloque a aeronave acima da altitude autorizada.
3. Mantenha SEMPRE a sua aeronave dentro da linha de visão visual (VLOS) e utilize um observador para ajudar se necessário.
4. NUNCA utilize a aeronave para transportar bens/cargas ilegais ou perigosos.

#### ATENÇÃO

1. Certifique-se de que compreende a natureza/tipo da operação do seu voo (como por exemplo, para fins recreativos, para uso público ou para utilização comercial) e obtenha a aprovação e autorização correspondentes das agências governamentais relacionadas antes do voo. Consulte os seus reguladores locais para obter definições abrangentes e requisitos específicos. Para utilizadores que operam a sua aeronave nos Estados Unidos, visite <http://www.knowanteyoufly.org/> e tome medidas adequadas às suas circunstâncias.
2. Tenha em atenção que as aeronaves controladas remotamente podem estar banidas de realizar atividades comerciais em determinados países e regiões. Verifique e siga todas as leis e regulamentos aplicáveis antes de voar, uma vez que essas regras podem diferir das aqui indicadas.
3. NÃO voe em torno de infraestruturas sensíveis ou propriedades como centrais elétricas, instalações de tratamento de águas, instalações correcionais, estradas muito movimentadas, instalações governamentais, zonas militares, etc.
4. Respeite a privacidade dos outros quando utilizar a câmara. NÃO realize operações de vigilância como captura de imagens ou gravação de vídeo de qualquer pessoa, entidade, evento, atuação, exposição e propriedade sem autorização ou quando exista uma expectativa de privacidade, mesmo que a imagem ou vídeo seja captado para utilização pessoal.
5. Tenha em atenção que em determinadas áreas, o registo de imagens e vídeos de eventos, atuações, exposições ou propriedades comerciais por meio de uma câmara pode infringir direitos de autor ou outros direitos legais, mesmo que a imagem ou vídeo tenha sido filmado para utilização pessoal.

### Restrições de voo

#### ATENÇÃO

A DJI leva a segurança dos voos a sério e desenvolveu vários auxiliares para ajudar os utilizadores a voarem com maior segurança. Estes auxiliares não garantem que cumpre todas as leis, regulamentos e restrições de voo temporárias aplicáveis. Você é o único responsável pelo seu comportamento ao voar uma aeronave DJI.

Recomendamos que atualize o firmware para a versão mais recente, de modo a assegurar que as seguintes funcionalidades estão totalmente atualizadas:

#### Zonas GEO

1. Todas as zonas GEO estão listadas no website oficial da DJI em <http://www.dji.com/flysafe>. As zonas GEO são divididas em diferentes categorias e incluem, mas não se limitam a, locais como aeroportos, campos de voo onde aeronaves tripuladas operam em altitudes baixas, fronteiras entre países, localizações sensíveis como centrais de eletricidade e áreas onde são realizados grandes eventos.
2. As restrições de voo variam consoante a zona. Dependendo das restrições de uma determinada zona, poderão aparecer avisos na aplicação DJI Pilot, a decolagem poderá ser proibida, a altitude de voo poderá ser limitada e a aeronave poderá agir de forma automática (por exemplo, aterrando automaticamente).
3. As funções relacionadas com as ações de voo serão afetadas em certa medida quando a aeronave estiver perto ou dentro de uma zona geográfica. Estes efeitos incluem, mas não se limitam a: a aeronave pode abrandar, pode não ser possível criar uma tarefa de voo e uma tarefa de voo em curso pode ser interrompida.
4. A operação com as restrições de Zonas GEO não garante a sua conformidade com todas as leis, regulamentos e restrições de voo temporárias aplicáveis. Consulte o seu advogado ou autoridades locais para garantir a sua conformidade.

#### Limite de altitude

1. NÃO voe a uma altitude superior a 120 metros (400 pés) acima do solo e mantenha-se afastado de quaisquer obstáculos adjacentes. A altitude máxima do voo pode ser inferior em conformidade com as leis e regulamentos locais. Cumpra rigorosamente todas as leis aplicáveis.
2. Se pretender voar acima do limite de altitude predefinido, tem de aceitar a isenção de responsabilidade pedida para ativar o novo limite de altitude.

# Noções de segurança

## 1. Considerações ambientais

- Sempre voe em locais que não tenham edifícios e outros obstáculos.
- NÃO voe acima de multidões ou próximo delas.
- Evite voar acima de 120 m de altitude\*.
- Voe apenas em condições climáticas moderadas, com temperaturas entre -20° a 50 °C.
- Tenha cuidado adicional ao voar em ambientes fechados, pois os recursos de estabilização da aeronave podem sofrer interferências.
- NÃO voe se a velocidade do vento ultrapassar 15 m/s. Pouse a aeronave o mais rápido possível quando o aplicativo DJI Pilot solicitar que você faça isso.

## 2. Lista de verificação pré-vo

- Certifique-se de que as baterias do controle remoto e da aeronave estejam totalmente carregadas.
- Certifique-se de que as hélices estejam em boas condições e firmemente instaladas antes de cada voo.
- Certifique-se de que não haja nada obstruindo os motores. Verifique se os motores estão limpos e sem manchas.
- Verifique se a lente da câmera está limpa e sem manchas.
- Complete a lista de verificação antes do voo exibida no aplicativo DJI Pilot. Calibre a bússola e o UMI somente quando o aplicativo DJI Pilot ou o indicador de status solicitar.
- Verifique se o número do satélite GPS não é menor que 6 no aplicativo DJI Pilot.
- Alterar ou modificar as peças da aeronave pode afetar a sua estabilidade. Siga rigorosamente as instruções oficiais da DJI para conectar equipamentos externos compatíveis e certifique-se de que o peso total da aeronave não exceda 9 kg após a conexão. Certifique-se de que o equipamento externo esteja montado na posição correta, conforme previsto na instrução oficial, para evitar o deslocamento do centro de gravidade da aeronave.
- Certifique-se de que o sistema visual, os sensores infravermelhos, as câmeras FPV e a lente das luzes auxiliares estejam limpos e livres de manchas ou impressões digitais, e não estejam obstruídos por nenhuma peça (por exemplo, carga anexada).
- Verifique se os braços da estrutura estão totalmente desdobrados e que os braços da estrutura e os trens de pouso estão travados firmemente.
- Certifique-se de que o plugue de borracha esteja inserido firmemente quando as portas da aeronave e do controle remoto não forem usadas.
- Certifique-se de que todos os ventiladores da aeronave estejam livres de objetos estranhos e que não haja obstruções na entrada e no orifício de ventilação. Verifique também se os ventiladores funcionam sem ruídos anormais.

## 3. Classificação de proteção IP45

- Sob condições laboratoriais estáveis, o M300 RTK obtém uma classificação de proteção IP45 conforme as normas IEC60529, quando equipado com Baterias de Voo Inteligente TB60. No entanto, esta classificação de proteção não é permanente, podendo ser reduzida após uso por muito tempo.
- NÃO voe se o índice pluviométrico exceder 100 mm/dia.
  - NÃO dobre os braços da estrutura na chuva.
  - Certifique-se de que as entradas das baterias, entradas do compartimento das baterias, as superfícies das baterias e a superfície do compartimento das baterias estejam secas antes de inserir as baterias.
  - Certifique-se de que as entradas e superfícies das baterias não possuam qualquer tipo de líquido antes de carregá-las.
  - Antes de guardar a aeronave no estojo de armazenamento, limpe-o cuidadosamente para que não haja qualquer tipo de líquido.
  - A garantia do produto não cobre danos causados por água.

\* A restrição da altitude de voo varia em diferentes jurisdições. NÃO voe acima da altitude máxima definida nas leis e regulamentações da sua região.



O DJI™ MATRICE™ 300 RTK (M300 RTK) NÃO é uma aeronave de brinquedo e NÃO é adequado para crianças abaixo de 18 anos. Observe que as "Noções de segurança" apenas apresentam rapidamente as dicas de segurança. Certifique-se de ler e entender as seções restantes deste documento.

A aeronave não atende à classificação de proteção IP45 sob as circunstâncias a seguir:

- Braços da estrutura dobrados.
- Utilizar baterias que não sejam as Baterias de Voo Inteligente TB60, do M300 RTK.
- A cobertura das entradas não está conectada corretamente.
- Não fixar corretamente o plugue de impermeabilização da carenagem superior.
- Danos à aeronave por diversos motivos, tais como danos à carenagem da aeronave, mau posicionamento dos adesivos à prova d'água, etc.

## 4. Operação

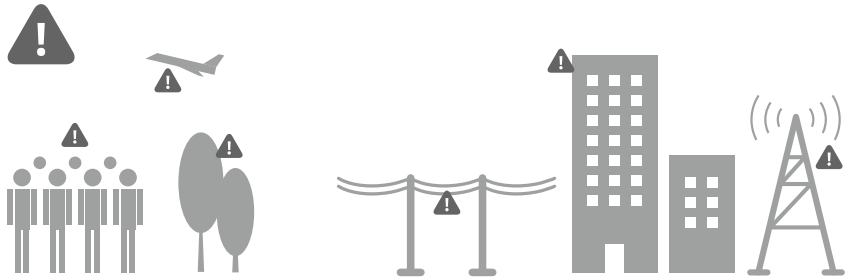
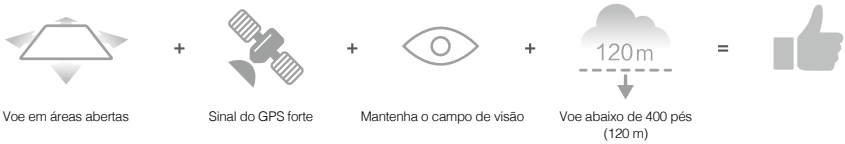
- NÃO pilote a aeronave de um veículo em movimento.
- Para evitar afetar a vida útil do motor, não decole ou pouse a aeronave em áreas arenosas ou empoeiradas.
- Fique longe das hélices giratórias e dos motores.
- Mantenha a aeronave sempre no seu campo de visão.
- Para parar os motores durante o voo, puxe os dois pinos de controle remoto para o canto interno ou externo inferior.
- A interrupção dos motores em pleno voo causará a queda da aeronave. O motor pode ser interrompido em pleno voo apenas quando o controlador de voo detecta um erro crítico.
- Mesmo com a tecnologia avançada com que a aeronave é equipada, o piloto precisa ter cuidado durante o voo. Os recursos de auxílio de voo e segurança, tais como detecção de obstáculos, aterrissagem de precisão e proteção na aterrissagem, foram desenvolvidos para ajudar sua operação e não para substituí-la. As condições ambientais, incluindo iluminação e textura dos obstáculos, podem afetar o desempenho do sistema visual.
- NÃO atenda chamadas ou mensagens de texto, nem faça nada que possa lhe distrair ao usar seu dispositivo móvel para controlar a aeronave durante o voo. NÃO voe sob a influência de álcool ou entorpecentes.
- NÃO voe em baixas altitudes acima de superfícies refletivas, como água ou neve, pois esses terrenos podem afetar o desempenho do sistema visual.
- Em caso de Advertência de bateria fraca, aterrisse a aeronave imediatamente em um local seguro.
- Durante o procedimento Fallsafe Retorno à Base (RTH), a aeronave não poderá evitar obstáculos se a condição de luz não for boa. Você pode sair do procedimento Retorno à Base (RTH) e operar a aeronave quando o sinal do controle remoto for obtido novamente. Garanta uma altitude adequada de Fallsafe antes de cada voo.
- Depois de aterrisar, desligue o motor, depois a bateria de voo inteligente e, em seguida, o controle remoto.
- Mesmo com a tecnologia avançada, é necessário que o app DJI Pilot tenha sólidos critérios durante o voo. Os recursos de auxílio de voo e segurança, tais como detecção de obstáculos, aterrissagem de precisão e proteção na aterrissagem, foram desenvolvidos para ajudar sua operação e não para substituí-la. As condições ambientais, incluindo iluminação e textura dos obstáculos, podem afetar o desempenho do sistema visual. Configure no app DJI Pilot a altitude no modo Retorno à Base (RTH) mais alta do que os obstáculos do entorno.
- A proteção ao aterrissar (detecta se o terreno é apropriado para o pouso a 2 metros de altitude acima do solo) é usada para otimizar a experiência de operação. Fique sempre alerta quando estiver no controle da aeronave, pois o sistema visual pode ser desativado em certas situações (por exemplo, iluminação esmaecida ou padrões de obstáculos obscuros na superfície) e a detecção da superfície do solo pode falhar.

## 5. Manutenção e conservação

- NÃO use hélices velhas, lascadas ou quebradas.
- Recomenda-se armazenar a aeronave e as baterias em local fresco e seco, com temperaturas entre 22° e 30 °C, e evitar a exposição à luz solar direta.
- Consulte as Diretrizes de Segurança da Bateria de Voo Inteligente para obter mais informações sobre o uso seguro da bateria.

## 6. Observe as leis e regulamentações locais

- NÃO voe em zonas GEO. Você pode encontrar informações relevantes sobre essas áreas em <http://flysafe.dji.com/>. Consulte as listas e regulamentações completas de Zonas GEO junto às autoridades aeronáuticas locais.
- A restrição da altitude de voo varia conforme as diferentes jurisdições. NÃO voe acima da altitude máxima definida nas leis e regulamentações da sua região.
- Evite voar em áreas onde equipes de resgate estejam usando ativamente o espaço aéreo.

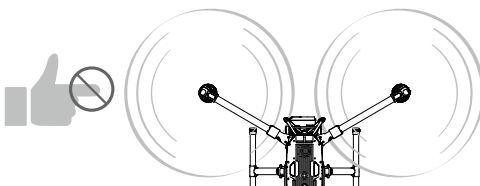


Evite voar sobre ou perto de multidões, árvores ou aeroportos.

Fontes eletromagnéticas fortes, como linhas de energia, estações base de rádios e edifícios altos, podem afetar a bússola integrada. Fique sempre alerta sobre o entorno durante o voo.



NÃO utilize a aeronave em condições climáticas adversas, como chuva, neve, neblina e velocidades de vento superiores a 15 m/s.



Fique longe das hélices rotativas e dos motores.



Saiba mais em:  
<https://flysafe.dji.com>

## AVISO

Todas as instruções e demais documentos correlacionados estão sujeitos à alterações a critério exclusivo da SZ DJI TECHNOLOGY CO., LTD ("DJI"). Para obter informações atualizadas sobre o produto, visite <http://www.dji.com> e clique na página do produto.

## Glossário

Os seguintes termos são utilizados neste documento para indicar vários níveis de possíveis danos ao utilizar este produto:

**ATENÇÃO** Procedimentos que, se não seguidos corretamente, criam a probabilidade de danos físicos ao patrimônio E pouca ou nenhuma possibilidade de ferimentos.

**CUIDADO** Procedimentos que, se não seguidos corretamente, criam a probabilidade de danos físicos ao patrimônio E a possibilidade de ferimentos graves.

**ADVERTÊNCIA** Procedimentos que, caso não seguidos corretamente, criam a possibilidade de danos ao patrimônio, danos colaterais e ferimentos graves OU criam alta probabilidade de ferimentos graves.



### ADVERTÊNCIA

Leia o Manual do Usuário POR INTEIRO para se familiarizar com as características deste produto, antes de usá-lo. Não operar o produto conforme instruído pelo manual do usuário pode provocar danos ao produto e ao patrimônio, bem como provocar danos físicos graves. Este é um produto sofisticado. Ele deve ser usado com cuidado e bom senso, e requer alguns conhecimentos básicos de mecânica. O uso deste produto de uma maneira que não seja segura e responsável pode resultar em danos físicos, em danos ao produto ou em outros bens materiais. Este produto não foi concebido para ser utilizado por crianças. NÃO use com componentes incompatíveis nem altere este produto de qualquer forma que não permitido pelos documentos relevantes, fornecidos pela SZ DJI TECHNOLOGY CO., LTD. Estas diretrizes de segurança contêm instruções de segurança, funcionamento e manutenção. É essencial ler e seguir todas as instruções e advertências presentes no Manual do Usuário antes da montagem, configuração ou utilização, a fim de poder usar o produto com segurança e evitar danos materiais ou físicos.

RECOMENDAÇÕES DE IDADE: NÃO RECOMENDADO PARA CRIANÇAS MENORES DE 18 ANOS. ESTE PRODUTO NÃO É UM BRINQUEDO.

## Lista de verificação pré-vo

1. Certifique-se de que você esteja usando apenas peças originais e que todas as peças estejam em bom estado.
2. Certifique-se de que o controle remoto, a Bateria de Voo Inteligente e o dispositivo móvel estejam totalmente carregados.
3. Certifique-se de que não haja um objeto estranho preso na lente da câmera, que o cartão microSD tenha sido inserido na câmera do estabilizador e que o estabilizador gire livremente antes de ligar.
4. Certifique-se de as hélices e os parafusos de montagem estejam firmemente montados nos motores e que os motores possam dar partida e funcionar normalmente.
5. Siga as instruções na tela para calibrar a bússola.
6. Certifique-se de que o aplicativo DJI Pilot e o firmware da aeronave tenham sido atualizados para a versão mais recente.
7. Certifique-se de que sua área de voo esteja fora de Zonas GEO e que as condições de voo sejam adequadas à aeronave.
8. Certifique-se de NÃO voar sob a influência de álcool, entorpecentes ou qualquer substância que possa prejudicar suas capacidades cognitivas.
9. Familiarize-se com o modo de voo selecionado e entenda todas as funções e avisos de segurança.
10. Certifique-se de observar todas as regulamentações locais, obter as autorizações apropriadas e compreender os riscos. LEMBRE-SE: é sua responsabilidade exclusiva obedecer a todas as regulamentações vigentes.
11. MANTENHA A AERONAVE NA SUA LINHA DE VISÃO (COM SEUS OLHOS) A TODO MOMENTO. NÃO dependa somente das imagens transmitidas diretamente da câmera para controlar a aeronave.
12. Verifique se o aplicativo DJI Pilot foi aberto corretamente, para ajudar na operação da sua aeronave. Sem os dados de voo registrados pelo aplicativo DJI Pilot em determinadas situações (incluindo a perda da sua aeronave), a DJI não consegue lhe oferecer suporte pós-venda nem assumir nenhuma responsabilidade.
13. Ao voar com uma carga útil, sempre teste o desempenho do

vo estacionário da aeronave. Verifique se o peso total na decolagem não excede a especificação normal. Decole sem qualquer vibração mecânica forte da aeronave, interferência eletromagnética ou obstrução do sistema de visão ou sensores infravermelhos.

14. Certifique-se de que o sistema visual, os sensores infravermelhos, as câmeras FPV e a lente das luzes auxiliares estejam limpos e livres de manchas ou impressões digitais, e não estejam obstruídos por nenhuma peça (por exemplo, carga anexada).
15. Certifique-se de que os braços da estrutura estejam totalmente desdobrados e que os braços da estrutura e os trens de pouso estejam travados firmemente.
16. Certifique-se de que o plugue de borracha esteja inserido firmemente quando as entradas da aeronave e do controle remoto não forem usadas.
17. Certifique-se de que todos os ventiladores da aeronave estejam livres de objetos estranhos e que não haja obstruções na entrada e no orifício de ventilação. Verifique também se os ventiladores funcionam sem ruídos anormais.

## Isenção de Responsabilidade e Advertência

Este produto NÃO é um brinquedo e não é adequado para crianças abaixo de 18 anos. Adultos devem manter a aeronave fora do alcance de crianças e ter cuidado ao operá-la na presença delas.

Embora o produto conte com uma tecnologia avançada, seu uso inadequado pode resultar em lesões pessoais ou danos ao patrimônio. Leia as matérias relacionadas com o produto antes de usá-lo pela primeira vez. Estes documentos estão incluídos na embalagem do produto e também estão disponíveis online na página do produto da DJI em <http://www.dji.com>.

As informações contidas neste documento afetam a sua segurança, os seus direitos legais e as suas responsabilidades. Leia este documento cuidadosamente e por inteiro para assegurar uma configuração correta antes do uso. A não observância das instruções e advertências deste documento pode resultar na perda do produto, em lesões graves a si mesmo ou em danos à aeronave.

A utilização deste produto confirma que o usuário leu cuidadosamente este aviso e advertência e que compreende e aceita obedecer aos termos e condições aqui expostos. EXCETO QUANDO EXPRESSAMENTE DETERMINADO NAS POLÍTICAS DO SERVIÇO DE PÓS-VENDAS DA DJI (DISPONÍVEL NO SITE [HTTP://WWW.DJI.COM/SERVICE/POLICY/](http://www.dji.com/service/policy/)), O PRODUTO E TODOS OS MATERIAIS, BEM COMO O CONTEÚDO DISPONIBILIZADO POR MEIO DO PRODUTO, SÃO FORNECIDOS "COMO ESTÃO" E SUJEITOS À "DISPONIBILIDADE", SEM GARANTIA OU CONDIÇÃO DE QUALQUER TIPO, TANTO EXPLÍCITAS QUANTO IMPLÍCITAS. A DJI ISENTA-SE DE TODAS AS GARANTIAS DE QUALQUER TIPOS, EXCETO QUANDO EXPRESSAMENTE DETERMINADO NAS POLÍTICAS DO SERVIÇO DE PÓS-VENDAS DA DJI, SEJA DE FORMA IMPLÍCITA OU EXPLÍCITA, EM RELAÇÃO AO PRODUTO, OS ACESSÓRIOS DO PRODUTO E TODOS OS MATERIAIS, INCLUINDO: (A) QUALQUER GARANTIA IMPLÍCITA DE COMERCIALIZAÇÃO, USO PARA UM PROPÓSITO ESPECÍFICO, POSSE, DIVERTIMENTO SILENCIOSO OU NÃO VIOLAÇÃO; E (B) QUALQUER GARANTIA DECORRENTE DO CURSO DE DISTRIBUIÇÃO, USO OU TROCA. A DJI NÃO GARANTE, EXCETO QUANDO EXPRESSAMENTE DETERMINADO NA GARANTIA LIMITADA DA DJI, QUE O PRODUTO, OS ACESSÓRIOS DO PRODUTO, QUALQUER PEÇA DO PRODUTO OU QUALQUER MATERIAL SÃO LIVRES DE INTERFERÊNCIAS, SEGURAS OU LIVRES DE ERROS, VÍRUS OU OUTROS COMPONENTES NOCIVOS, E NÃO GARANTE QUE QUALQUER UM DESTES PROBLEMAS SERÁ CORRIGIDO.

NENHUM AVISO OU INFORMAÇÃO, SEJA VERBAL OU POR ESCRITO(A), OBTIDA(A) POR VOCÊ A RESPEITO DO PRODUTO DOS ACESSÓRIOS DO PRODUTO OU DE QUALQUER MATERIAL CRIARÁ QUALQUER GARANTIA DA DJI OU DO PRODUTO QUE NÃO ESTEJA EXPLICITAMENTE DESCRITO NESTES TERMOS. VOCÊ ASSUME TODOS OS RISCOS POR QUALQUER DANO QUE POSSA RESULTAR DO SEU USO OU ACESSO AO PRODUTO, AOS ACESSÓRIOS DO PRODUTO E A QUALQUER MATERIAL. VOCÊ ENTENDE E CONCORDA QUE O USO QUE FAZ DO PRODUTO É DE SUA RESPONSABILIDADE E RISCO, E QUE VOCÊ É TOTALMENTE RESPONSÁVEL POR QUALQUER FERIMENTO PESSOAL, MORTE, DANO AO PATRIMÔNIO (INCLUINDO O SISTEMA DO SEU COMPUTADOR OU DISPOSITIVO MÓVEL, OU O HARDWARE DA DJI USADO EM CONEXÃO COM O PRODUTO) OU AO PATRIMÔNIO DE TERCEIROS, BEM COMO A PERDA DE DADOS RESULTANTE DO USO OU DA FALTA DE CAPACIDADE DE UTILIZAR O PRODUTO.

ALGUMAS JURISDIÇÕES PODEM PROIBIR A ISENÇÃO DE RESPONSABILIDADE DE GARANTIA, E VOCÊ PODE TER OUTROS DIREITOS QUE VARIAM DE ACORDO COM A JURISDIÇÃO.

A DJI não assume qualquer responsabilidade pelos danos, lesões ou quaisquer responsabilidades legais decorrentes direta ou indiretamente da utilização deste produto. O usuário deve observar as práticas seguras e legais, incluindo, entre outras, aquelas apresentadas nas Diretrizes de Segurança.

## Armazenamento e uso de dados

Quando você usar nosso aplicativo móvel ou nossos produtos ou outro software, os dados sobre o uso e a operação do produto, como os dados de telemetria de voo (por exemplo, velocidade, altitude, duração da bateria e informações sobre o estabilizador e a câmera) e registros de operações podem ser fornecidos à DJI. O dispositivo de armazenamento interno, incorporado ao produto, armazena vários tipos de dados, incluindo dados de telemetria de voo. Você também pode nos fornecer dados de telemetria de voo e outros dados quando transmitir essas informações manualmente, do dispositivo de armazenamento interno para nós.

Para mais informações, consulte a Política de Privacidade da DJI (disponível em <http://www.dji.com/policy>).

## Antes de começar

Este produto é uma aeronave que oferece facilidade de voo enquanto em funcionamento pleno, conforme estabelecido abaixo. Visite <http://www.dji.com> para obter as instruções e advertências mais atualizadas e <http://knowbeforeyoufly.org> para obter mais informações sobre segurança e conformidade de voo.

Os seguintes documentos foram desenvolvidos para ajudar você a operar e tirar o maior proveito possível da sua aeronave com segurança:

Incluído na embalagem  
Isenção de Responsabilidade e Diretrizes de Segurança  
Diretrizes de segurança da Bateria de Voo Inteligente  
Guia de Início Rápido  
Manual do Usuário

Antes do voo, verifique todas as peças inclusas, listadas no documento incluído na embalagem, e leia a Isenção de Responsabilidade e Diretrizes de Segurança. Em seguida, prepare-se para seu primeiro voo usando o Guia De Início Rápido e assistindo a todos os vídeos do tutorial no site oficial da DJI (<http://www.dji.com>). Se você tiver dúvidas, consulte o Manual do Usuário no aplicativo ou no site oficial da DJI para obter informações mais abrangentes. Certifique-se de compreender totalmente a funcionalidade de cada uma das peças, os requisitos de condição do voo, as principais funções/sistemas de advertência de contingência e todas as regulamentações governamentais antes de cada voo. Se tiver qualquer dúvida ou problemas durante a instalação, manutenção ou uso deste produto, entre em contato com a DJI ou com um revendedor autorizado da DJI.

## Peças individuais

### Relação de peças originais e funcionais

#### **⚠️ ADVERTÊNCIA**

Para evitar mau funcionamento do componente, ferimentos graves e danos à propriedade, siga as seguintes regras:

1. Use apenas peças originais DJI ou peças certificadas pela DJI. Peças não autorizadas ou peças de fabricantes não certificados pela DJI podem causar mau funcionamento do sistema e comprometer a segurança.
2. Verifique se não há objetos estranhos (como água, óleo, terra, areia, etc.) dentro da aeronave ou em seus componentes.
3. Certifique-se de que a aeronave e seus componentes – incluindo, mas sem limitação, controlador remoto, câmera, estabilizador, bússola, sistema de propulsão e bateria – estejam em boas condições de funcionamento, livres de danos e funcionando bem. Consulte as seções restantes deste documento para obter mais detalhes sobre como garantir a funcionalidade desses componentes.
4. NÃO modifique ou altere a aeronave, seus componentes e peças. A modificação não autorizada pode causar mau funcionamento da aeronave e afetar sua segurança e funcionalidade.
5. Certifique-se de que todos os ventiladores da aeronave estejam livres de objetos estranhos e que não haja obstruções na entrada e no orifício de ventilação.
6. Todos os acessórios que seriam usados em conjunto com o M300 RTK, incluindo, entre outros, estabilizador e Radar CSM, devem ser usados apenas com a aeronave. Os usuários assumem total responsabilidade pelos danos causados pelos acessórios que forem utilizados com outros produtos não oficiais.
7. NÃO use cabos que não sejam da DJI para conectar as entradas da aeronave, o que pode causar mau funcionamento do sistema e comprometer a segurança.

## Sistema de transmissão de vídeo

#### **⚠️ ATENÇÃO**

1. Ative apenas o modo "Personalizado" sob a orientação de profissionais. Caso contrário, devido a interferências, o sinal de transmissão de vídeo pode ficar lento ou até se perder.

## Controle remoto

#### **⚠️ ATENÇÃO**

1. Carregue totalmente o Controle Inteligente antes de cada voo.
2. Se o Controle Inteligente estiver ligado e a tela de toque estiver desligada por cinco minutos, um som de alerta será acionado. Dez segundos após o som de alerta, o Controle Inteligente será desligado automaticamente. Mova os pinos ou execute outra ação para cancelar o alerta.
3. Certifique-se de que as antenas estejam desdobradas e ajustadas na posição adequada, para obter a melhor qualidade de transmissão.
4. Entre em contato com o suporte DJI para consertar ou substituir as antenas, caso estejam danificadas. Antenas danificadas diminuirão bastante o desempenho.
5. Vincule o Controle Inteligente e a aeronave novamente se você mudar de aeronave.
6. Certifique-se de desligar a aeronave antes de desligar o Controle Inteligente.
7. Carregue totalmente o Controle Inteligente a cada três meses.
8. Carregue imediatamente o Controle Inteligente quando seu nível de energia diminuir para 10%, evitando danos ao Controle Inteligente devido à descarga excessiva por um período prolongado. Descarregue o Controle Inteligente para um nível de energia entre 40% e 60% caso vá armazená-lo por um longo período.
9. NÃO cubra o orifício de ventilação do Controle Inteligente. Caso contrário, o Controle Inteligente pode ficar muito quente, o que pode afetar seu desempenho.
10. NÃO desmonte o Controle Inteligente sem a assistência de um revendedor autorizado da DJI. Sempre entre em contato com a DJI ou com um revendedor autorizado da DJI para substituir os componentes do Controle Inteligente.
11. NÃO bloqueie o GPS embutido. Nos casos em que o Suporte de Montagem de Tela Empresarial Controle Inteligente DJI (a seguir denominado "Suporte de Montagem") estiver instalado, remova-o e tente novamente se o sinal do GPS estiver ruim.
12. Para evitar o desgaste das coberturas dos pinos, NÃO desmonte os pinos com frequência.

## Bússola

#### **⚠️ CUIDADO**

Para evitar ferimentos graves e danos à propriedade, siga as seguintes regras:

1. Pouse imediatamente quando deriva óbvia ocorrer em voo.
2. NÃO voe em ambientes com forte interferência eletromagnética ou espaço com muita obstrução.
3. Se o aplicativo DJI Pilot solicitar calibração da bússola antes da decolagem, decole após a calibração em um ambiente sem interferência eletromagnética.

#### **⚠️ ATENÇÃO**

Calibre a bússola somente quando o aplicativo DJI Pilot ou o indicador de status solicitar. Observe as seguintes regras ao calibrar sua bússola:

1. NÃO calibre a bússola em locais onde houver interferência magnética, como magnetita, estruturas de estacionamento e estruturas subterrâneas de metal.
2. NÃO carregue com você materiais ferromagnéticos, como celulares, durante a calibração.
3. O aplicativo DJI Pilot solicitará que você resolva o problema da bússola se ela for afetada por forte interferência após a realização da calibração. Siga as instruções indicadas para resolver o problema da bússola.

## Sistemas de propulsão

#### **⚠️ ADVERTÊNCIA**

Para evitar ferimentos graves em si mesmo ou em terceiros, que podem ser causados pelas hélices rotativas e os motores, observe as seguintes regras:

#### Hélices

1. NÃO use hélices velhas, lascadas ou quebradas.
2. Sempre desligue a aeronave antes de tocar as hélices.
3. Preste atenção às bordas afiadas das hélices ao montá-las ou removê-las. Use luvas ou tome outras medidas de proteção ao tocar nas hélices.
4. Sempre que necessário, use ferramentas (por exemplo, chave inglesa, chave de fenda, alicates etc.) para remover ou instalar as hélices.
5. Certifique-se de que as hélices e parafusos de montagem estejam firmemente instalados e presos para impedir que se desprendam



dos motores.

6. NÃO ligue os motores quando as hélices estiverem montadas e houver outras pessoas e animais nas imediações.
7. Usar hélices de terceiros pode comprometer a aerodinâmica da aeronave. Para uma experiência de voo melhor e mais segura, recomendamos que você utilize apenas hélices originais da DJI.
8. Seque as hélices antes de cada voo em locais com temperatura de cerca de 0 °C para evitar o congelamento das hélices.

#### Motores

1. Certifique-se de que os motores estejam instalados com firmeza e girem suavemente.
2. Garanta a instalação adequada e que o motor funcione normalmente antes de cada voo. Se os orifícios de ventilação dos motores estiverem obstruídos, limpe-os antes do voo. Se a tampa estiver envelhecida, danificada ou deformada, entre em contato com a DJI ou com um revendedor autorizado da DJI.
3. NÃO tente modificar a estrutura dos motores.
4. NÃO toque, nem deixe suas mãos ou seu corpo tocarem os motores após o voo, pois eles podem estar quentes.

#### Controladores Eletrônicos de Velocidade

1. Se necessário antes de cada voo, siga as instruções do aplicativo para corrigir as anormalidades dos controladores eletrônicos de velocidade.
2. Pouse a aeronave se o aplicativo DJI Pilot indicar que há algo errado com os controladores eletrônicos de velocidade (por exemplo, temperatura excessiva, baixa tensão ou sobrecarga).

#### CUIDADO

Para evitar ferimentos graves e danos à propriedade, siga as seguintes regras:

1. NÃO bloqueie os orifícios de ventilação nos motores.
2. NÃO bloqueie os orifícios de ventilação no braço da estrutura da aeronave.

#### ATENÇÃO

#### Motores

1. Para evitar afetar a vida útil do motor, não decole ou pouse a aeronave em áreas arenosas ou empoeiradas.
2. Mantenha os motores livres de poeira e verifique se os orifícios de ventilação do motor não estão bloqueados.
3. Se o motor estiver emperrado e não girar livremente, execute o comando CSC (Combinação do Pino de Comando) para parar os motores imediatamente.

#### Controladores Eletrônicos de Velocidade

Verifique se os controladores eletrônicos de velocidade emitem ruído normal quando ligados.

#### Aplicativo DJI Pilot

#### ATENÇÃO

1. Certifique-se de carregar totalmente seu tablet ou dispositivo móvel (se usado) antes de iniciar o aplicativo.
2. Se você estiver usando um telefone como seu dispositivo de exibição móvel, certifique-se de continuar a voar com segurança quando o telefone receber uma chamada. NÃO atenda chamadas telefônicas durante o voo.
3. Dados móveis são necessários ao usar o DJI Pilot. Consulte a sua operadora de celular para saber mais sobre estes custos.
4. Leia cuidadosamente todas as dicas de segurança, mensagens de aviso e isenções de responsabilidade. Esteja familiarizado com as regulamentações da sua área. Você é exclusivamente responsável por estar ciente de todas as regulamentações relevantes e por voar de acordo com elas.
  - a. Leia e compreenda as mensagens de advertência antes de redefinir o seu ponto de origem.
  - b. Leia e compreenda as mensagens de advertência e a isenção de responsabilidade antes de configurar a altitude além do limite regulatório.
  - c. Leia e compreenda as mensagens de advertência e a isenção de responsabilidade antes de alternar entre os modos de voo.
5. Aterrisse sua aeronave imediatamente em um local seguro se um alerta for exibido no aplicativo.
6. Antes de cada voo, examine e verifique todas as mensagens de advertência na lista de verificação, exibidas no aplicativo.
7. Use o DJI ASSISTANT™ 2 para praticar suas habilidades de voo caso nunca tenha operado a aeronave ou caso NÃO possua experiência suficiente para operar a aeronave com confiança.
8. Armazene em cache os dados do mapa da área em que você pretende voar com a aeronave, conectando-se à internet antes de cada voo.

9. O aplicativo foi desenvolvido para auxiliar na sua utilização. Use-o com bom senso e NÃO dependa do aplicativo para controlar sua aeronave.
10. A sua utilização do aplicativo está sujeita aos Termos de Uso do aplicativo DJI Pilot e à Política de Privacidade da DJI. Leia-os cuidadosamente no aplicativo.

#### Firmware

#### ⚠️ ADVERTÊNCIA

Para evitar ferimentos graves em crianças e animais, siga a regra a seguir:

1. Mantenha crianças e animais a uma distância segura durante qualquer procedimento de atualização do firmware, calibração do sistema e configuração de parâmetro.

#### ATENÇÃO

1. Para sua segurança, sempre atualize o firmware para a versão mais recente quando uma notificação de atualização for mostrada no aplicativo DJI Pilot.
2. As notificações de atualização de firmware informarão sobre novas atualizações. É necessário que você leia e entenda as informações exibidas.
3. Certifique-se de atualizar o firmware do controlador remoto para a versão mais recente, depois de atualizar o firmware da aeronave.
4. O controlador remoto pode perder o vínculo com a aeronave após a atualização.
5. Certifique-se de verificar todas as conexões e remover as hélices dos motores antes de executar a atualização do firmware.

#### SDK

#### ATENÇÃO

1. Antes de usar o DJI SDK, você deve concordar com os Termos de Uso do DJI SDK e com a Política de Privacidade da DJI. Estes Termos de Uso e Política de Privacidade limitam algumas das responsabilidades legais da DJI; leia-as atentamente em <https://developer.dji.com/policies/>.

#### Câmera (opcional)

#### ⚠️ ADVERTÊNCIA

Para evitar ferimentos graves e danos à propriedade, siga as seguintes regras:

1. NÃO bloqueie os orifícios de ventilação na câmera, pois o calor gerado pode lhe ferir e danificar o dispositivo.

#### ATENÇÃO

1. Verifique as configurações da câmera antes do uso para garantir que estejam ajustadas de acordo com as suas necessidades.
2. Teste a câmera capturando algumas imagens e verifique se está funcionando corretamente, antes de fotografar imagens ou vídeos importantes.
3. NÃO remova o cartão microSD da câmera do estabilizador quando estiver ligada. Use cartões microSD recomendados.
4. Certifique-se de desligar a Bateria de Voo Inteligente corretamente; caso contrário, os parâmetros da sua câmera NÃO serão salvos e quaisquer vídeos gravados podem ser danificados.
5. Independentemente do motivo, a DJI não se responsabilizará por quaisquer falhas de gravação de uma imagem ou vídeo, nem pela gravação de forma que não possa ser lida pela máquina.

#### Estabilizador (opcional)

#### ATENÇÃO

1. Os elementos de precisão do estabilizador podem ser danificados em uma colisão ou queda, e isso pode fazer o estabilizador funcionar de maneira anormal.
2. NÃO aplique força externa no estabilizador depois que ele estiver ligado.
3. NÃO adicione cargas ao estabilizador, pois isso pode fazer com que funcione de forma anormal ou até mesmo causar danos ao motor.
4. O estabilizador e o conector do estabilizador são muito delicados. Manuseie com cuidado e NÃO toque no conector do estabilizador, já que qualquer dano fará com que ele funcione de maneira anormal.
5. Segure firmemente o estabilizador ao retirá-lo ou colocá-lo, evitando que ele caia.
6. NÃO fixe nem remova o estabilizador quando a aeronave estiver ligada.
7. Ao usar o sistema de estabilizador múltiplo, siga rigorosamente as instruções no manual do usuário, montando corretamente as câmeras do estabilizador compatíveis.

## Cuidados com o produto

### Armazenamento e transporte

#### **⚠️ ADVERTÊNCIA**

Para evitar ferimentos graves em crianças e animais, siga a regra a seguir:

1. Peças pequenas, como cabos e alças, são perigosas se engolidas. Mantenha as peças fora do alcance de crianças e animais.

#### **ATENÇÃO**

1. Carregue e descarregue totalmente a bateria regularmente para manter sua integridade. Consulte as Diretrizes de Segurança da Bateria de Voo Inteligente para obter mais informações sobre o uso seguro da bateria.
2. NÃO permita que a câmera entre em contato ou seja imersa em água ou outros líquidos. Caso seja molhada, seque-a com um pano seco, macio e absorvente. Ligar uma aeronave que tenha sido molhada pode causar danos permanentes aos componentes. NÃO use substâncias que contenham álcool, benzeno, solventes ou outras substâncias inflamáveis para limpar ou fazer manutenção da câmera. NÃO armazene a câmera em locais com poeira ou umidade.
3. Desconecte o estabilizador da aeronave ao armazená-la por um longo período ou transportá-la por longas distâncias.
4. NÃO conecte este produto a nenhuma interface USB mais antiga do que a versão 2.0. NÃO conecte este produto a nenhum dispositivo "power USB" ou similar.
5. Os braços da estrutura e as hélices devem ser desdobrados no local original durante o transporte ou as antenas podem ser danificadas. Coloque a aeronave no chão suavemente para evitar danos à UMI e outras partes.

### Manutenção e conservação

#### **ATENÇÃO**

1. Após qualquer acidente ou choque violento, entre em contato com os centros de serviço recomendados pela DJI para fazer a inspeção ou reparo do produto. Operar aeronaves danificadas é muito perigoso e pode causar ferimentos ou danos ao patrimônio.
2. Carregue e descarregue totalmente a bateria regularmente para manter sua integridade. Consulte as Diretrizes de Segurança da Bateria de Voo Inteligente para obter mais informações sobre o uso seguro da bateria.
3. É recomendável agendar um serviço de manutenção regularmente para segurança e confiabilidade do voo. Consulte as Diretrizes de Segurança da Bateria de Voo Inteligente para obter mais detalhes.
4. Verifique regularmente os indicadores de nível da bateria para ver o nível atual e a duração da bateria. A bateria está classificada para 200 ciclos. Não é recomendado continuar a usá-la depois disso. Consulte as Diretrizes de Segurança da Bateria de Voo Inteligente para obter mais informações sobre o uso seguro e a manutenção da bateria.
5. Consulte o Manual de Manutenção para obter mais informações sobre como verificar e manter o produto após usá-lo por um extenso período, de forma a mantê-lo em boas condições e reduzir possíveis riscos de segurança. A frequência de manutenções depende da frequência de uso do produto. A manutenção padrão deve ocorrer ao menos uma vez a cada seis meses. Também é possível enviar o produto à DJI para manutenção. Visite <https://enterprise.dji.com/enterprise-maintenance> para obter mais informações.
6. Algumas peças do M300 RTK possuem um ciclo de vida de segurança. Desde o primeiro uso, peças passíveis de desgaste como hélices e o amortecedor do estabilizador possuem um ciclo de vida de segurança de 300 horas, enquanto componentes do sistema de propulsão possuem um ciclo de vida de segurança de 900 horas. A utilização do produto após o término do ciclo de vida de segurança pode causar riscos à segurança. A DJI não se responsabiliza por nenhum risco advindo da continuidade de utilização do produto.

## Requisitos de condições de voo

### Condições climáticas e ambiente ao redor

#### **⚠️ ADVERTÊNCIA**

A aeronave foi projetada para operar em condições climáticas boas a moderadas. Para evitar colisões, ferimentos graves e danos à propriedade, siga as seguintes regras:

1. NÃO utilize a aeronave em condições climáticas rigorosas. Isso inclui vento com velocidade acima de 15 m/s, neve, chuva forte, neblina, granizo, raios, tornados ou furacões.
2. Mantenha a aeronave a, no mínimo, 10 metros de distância de obstáculos, pessoas, animais, edifícios, infraestrutura pública,

árvores e corpos d'água durante o voo. Fique ainda mais longe desses objetos à medida que a altitude aumentar.

3. Seja EXTREMAMENTE cuidadoso ao operar a aeronave em ambientes fechados. Alguns recursos da aeronave, principalmente o de estabilização, podem ser afetados.
4. Certifique-se de ativar o sistema visual ao voar em ambientes fechados. Note que o sistema visual pode NÃO funcionar adequadamente se a aeronave estiver voando sobre água, superfícies sem um padrão claro ou em um ambiente de pouca luz.

#### **ATENÇÃO**

1. O desempenho da aeronave e da bateria está sujeito a fatores ambientais, como densidade do ar e temperatura.
  - a. NÃO opere a aeronave quando a temperatura estiver fora da faixa de -20° a 50 °C.
2. NÃO use a aeronave perto de acidentes, incêndios, explosões, inundações, tsunamis, avalanches, deslizamentos, terremotos, poeira ou tempestades de areia.

### Interferência de comunicação

#### **ATENÇÃO**

1. Verifique se qualquer parte da aeronave foi atingida ou caiu. Entre em contato com o Suporte DJI ou os revendedores autorizados, quando necessário.
2. Voe ao ar livre. Edifícios altos ou estruturas de aço podem afetar a precisão da bússola integrada e bloquear o sinal do GPS.
3. Evite interferência entre o controlador remoto e outros equipamentos sem fio. Certifique-se de desligar o Wi-Fi em seu dispositivo móvel.
4. NÃO realize voos próximo a áreas com interferência magnética ou de rádio. Isso inclui, mas NÃO está limitado a linhas de alta tensão, estações de transmissão de energia em grande escala ou estações base de rádio e torres de transmissão celulares. Ignorar estas regras pode comprometer a qualidade de transmissão deste produto ou causar erros do controle remoto ou de transmissão de vídeo, podendo afetar a orientação de voo e a precisão da localização. A aeronave pode se comportar de forma anormal ou sair de controle em áreas com interferência excessiva.

### Operação da aeronave de forma responsável

#### **⚠️ ADVERTÊNCIA**

Para evitar ferimentos graves e danos à propriedade, siga as seguintes regras:

1. Certifique-se de que você NÃO tenha bebido, tomado medicamentos, esteja sob a influência de anestesia ou sofrendo de vertigem, fadiga, náusea ou qualquer outra condição física ou mental que possa prejudicar sua capacidade de operar a aeronave com segurança.
2. Ao aterrissar, desligue a aeronave primeiro e depois desligue o controlador remoto.
3. NÃO derrube, arremesse, incendeie e nem projete cargas perigosas em ou sobre edifícios, pessoas ou animais, já que isso pode causar ferimentos ou danos ao patrimônio.
4. NÃO use a aeronave caso tenha caído ou batido acidentalmente, ou esteja em más condições.

#### **ATENÇÃO**

1. Certifique-se de ter sido suficientemente treinado e esteja plenamente ciente de quaisquer planos de contingência antes que ocorram acidentes.
2. Certifique-se de ter um plano de voo e nunca voe com a aeronave de forma imprudente.
3. Respeite a privacidade das outras pessoas ao usar a câmera. Certifique-se de estar em conformidade com leis, regulamentações e padrões morais de privacidade locais.
4. NÃO use este produto para qualquer motivo que não o uso pessoal geral. NÃO o utilize para qualquer propósito ilegal ou impróprio (como espionagem, operações militares ou investigações não autorizadas).
5. NÃO use este produto para difamar, assediar, ameaçar, perseguir ou violar os direitos legais (como o direito de privacidade e de publicidade) de outros.
6. NÃO invada propriedades privadas de outras pessoas.

## Modos de voo, funções e advertências

### Modos de voo

#### **⚠️ ADVERTÊNCIA**

NÃO mude de P-mode para S-mode ou T-mode, a menos que esteja suficientemente familiarizado com o comportamento da aeronave em cada modo de voo. Você deve ativar a configuração de "Vários modos de voo" no aplicativo antes de poder mudar de P-mode para

outros modos.

A aeronave entrará automaticamente no modo Atitude (ATTI) quando as duas condições a seguir forem atendidas: (1) o sistema de visual não estiver disponível e (2) o sinal do GPS estiver fraco ou a bússola sofrer interferência.

No Modo Atitude (ATTI), o sistema visual e alguns recursos avançados serão desativados. Portanto, a aeronave não consegue se posicionar nem frear automaticamente nesse modo e será facilmente afetada pelos arredores, o que pode resultar em inclinação horizontal. Use o controlador remoto para posicionar a aeronave.

Manobrar a aeronave no Modo Atitude (ATTI) pode ser difícil. Antes de alternar a aeronave para o Modo Atitude (ATTI), certifique-se de que esteja confortável voando neste modo. NÃO pilote a aeronave a uma distância excessiva, pois você pode perder o controle e causar um possível risco.

Evite voar em áreas onde o sinal do GPS é fraco ou em espaços estreitos e fechados. Caso contrário, a aeronave será forçada a entrar no Modo Atitude (ATTI), levando a possíveis riscos de voo. Aterrissar em um local seguro assim que possível.

#### ATENÇÃO

O P-mode é o preferível para a maioria dos cenários de voo. Ao voar em outros modos, tome precauções EXTRAS, pois alguns recursos NÃO estarão disponíveis. Ao voar em Modo Atitude (ATTI), tome precauções EXTRAS, pois alguns recursos NÃO estão disponíveis neste modo. Ao voar em ambientes fechados, a aeronave não pode executar o voo estacionário com precisão acima de superfícies que não tenham um padrão nítido. Consulte a seção "Sistema Visual e Sistema de Detecção por Infravermelho" para ver os critérios completos de voo em ambientes fechados.

1. P-mode (Posicionamento): O P-mode funciona melhor com sinal do GPS forte. A aeronave utiliza o GPS e o sistema visual para localizar-se e estabilizar-se.
2. S-mode (Esportes): O S-mode é idêntico ao P-mode, em termos de configurações do controlador de voo, exceto que os valores de ganho de manuseio da aeronave são ajustados a fim de melhorar a manobrabilidade. Nesse modo, a velocidade de voo máxima da aeronave é maior.
3. T-mode (Tripé): O T-mode é baseado no P-mode, mas com uma velocidade de voo limitada, o que torna o movimento da aeronave mais facilmente controlado.

#### Retorno à Base (RTH)

##### ATENÇÃO

1. O Sistema Retorno à Base (RTH) pode ser afetado pelo clima, ambiente ou campos magnéticos próximos.
2. Certifique-se de sempre voar com a aeronave dentro do alcance de transmissão do controlador remoto.
3. Pressione o botão Retorno à Base (RTH) no controlador remoto para iniciar o processo de retorno à base, em vez de desligar o controle remoto. E a aeronave voará para o ponto de origem mais recente registrado.
4. Durante o voo, se a aeronave estiver voando sobre superfícies extremamente escuras (<15 lux) ou brilhantes (> 10.000 lux), pode ser que não consiga evitar obstáculos. NÃO confie no sistema visual e esteja sempre alerta ao controlar a aeronave. Controle a aeronave sozinho, se necessário, ou pressione o botão RTH para impedir que a aeronave retorne à base.
5. Edifícios altos podem afetar de forma adversa a função Failsafe. Portanto, é importante estabelecer uma altitude adequada de Failsafe antes de cada voo. Ajuste a altitude da aeronave ao retornar à base.
6. O recurso Retorno à Base (RTH) NÃO irá funcionar se o sinal do GPS for insuficiente (sinal do GPS com menos de três barras) ou se o GPS não estiver ativo.
7. Em caso de perda do sinal do controle remoto e o sinal do GPS estiver fraco, se a aeronave não detectar o ponto de origem, a aeronave irá pular por 8 segundos e, em seguida, pousará automaticamente se estiver no P-mode.
8. Se a duração da bateria permitir, a aeronave poderá retornar à última posição em que tinha conexão com o controle remoto durante RTH à prova de falhas. Como resultado, você pode observar a aeronave se distanciando de você e, em seguida, retornando ao ponto de origem.

#### Bateria fraca

##### ATENÇÃO

1. Quando a Advertência Crítica do Nível da Bateria for ativada e a aeronave estiver descendo automaticamente, você poderá empurrar o acelerador para cima e manter a altitude da aeronave, navegando com ela até um local mais adequado para pouso.
2. Quando avisos da bateria forem acionados, traga imediatamente

a aeronave de volta para o ponto de origem ou aterrissar, a fim de evitar perda de potência durante o voo e danos à aeronave, à propriedade, a animais e a pessoas.

#### D-RTK 2

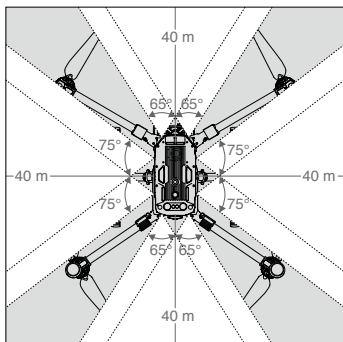
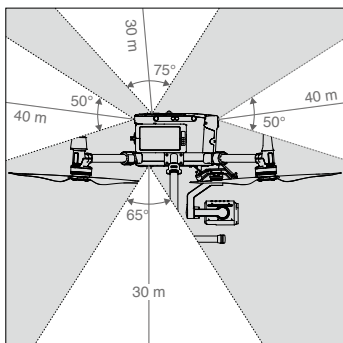
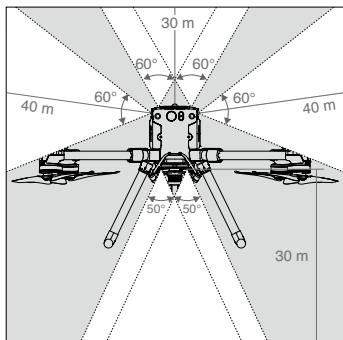
##### ATENÇÃO

1. Use apenas peças originais DJI ou peças certificadas pela DJI. Peças não autorizadas ou peças de fabricantes não certificados pela DJI podem causar mau funcionamento do sistema e comprometer a segurança.
2. Apenas opere em ambientes abertos e livres da interferência de rádio.
3. NÃO obstrua nenhuma antena D-RTK 2.

#### Sistema visual e sistema de detecção por infravermelho

##### ATENÇÃO

1. O sistema visual funcionará corretamente a uma altura de até 30 metros sobre superfícies com variações claras de padrão. O sistema visual não pode funcionar quando a aeronave estiver voando rapidamente em altitudes abaixo de 0,5 metro.
2. O sistema visual poderá NÃO funcionar adequadamente quando a aeronave estiver voando sobre a água. NÃO confie demais no sistema visual e opere a aeronave com cuidado.
3. O sistema visual pode NÃO funcionar corretamente em qualquer uma das seguintes situações:
  - a. Voando sobre superfícies monocromáticas (por exemplo, preto puro, branco puro, vermelho puro, verde puro) ou sem textura clara.
  - b. Voando sobre superfícies altamente reflexivas.
  - c. Voando sobre água ou superfícies transparentes.
  - d. Voando sobre superfícies ou objetos em movimento (por exemplo, acima de pessoas, junco, arbustos e grama se mexendo).
  - e. Voar em uma área em que a iluminação muda frequente ou drasticamente, ou área com exposição à iluminação forte direta.
  - f. Voando sobre superfícies extremamente escuras (<15 lux) ou claras (>10.000 lux).
  - g. Voando a altas velocidades (acima de 14 m/s a 2 metros, ou acima de 5 m/s a 1 metro).
  - h. Obstáculos minúsculos.
  - i. A lenta está suja (por exemplo, gotas de chuva, impressões digitais etc).
  - j. Cenas com baixa visibilidade (por exemplo, neblina intensa).
4. O Sistema de Detecção por Infravermelho pode não fornecer uma distância precisa em qualquer uma das seguintes situações:
  - a. Voando sobre superfícies que podem absorver ondas sonoras (por exemplo, objetos pretos poros e foscos).
  - b. Há uma grande área de refletores fortes além de 15 m (por exemplo, vários sinais de trânsito são colocados lado a lado).
  - c. Obstáculos minúsculos
  - d. Espelho ou objetos transparentes (como espelhos, água e vidro).
5. A calibração do sistema visual é necessária se a aeronave sofrer impactos. Calibre o sistema visual se o aplicativo DJI Pilot solicitar.
6. Evite voar com chuva e nevoeiro ou outros ambientes com baixa visibilidade (visibilidade abaixo de 100 m).
7. Mantenha os sensores do sistema visual e do sistema de detecção por infravermelho sempre limpos.
  - a. Remova a película, adesivos e outras obstruções da superfície.
  - b. Se houver gotas de água, impressões digitais, sujeira, etc., limpe-as primeiro (use um pano limpo, sem solventes orgânicos, como álcool).
  - c. Se o vidro da superfície cair, quebrar, arranhar, desgastar, etc., entre em contato com o pós-venda ou o revendedor local da DJI.
8. NÃO pendure ou coloque nada em uma área que bloqueie o Sistema Visual, o Sistema de Detecção por Infravermelho e seu alcance de observação.
9. Não interfira no Sistema Visual e no Sistema de Detecção por Infravermelho (por exemplo, usando uma fonte de luz forte para iluminar o Sistema Visual ou usando refletores espaciais em direção ao sensor infravermelho) e verifique se a lente do sensor está limpa e sem manchas.
10. O Sistema Visual e o Sistema de Detecção por Infravermelho não conseguem frear e parar a aeronave a uma distância segura do obstáculo se estiver sendo pilotado a um ângulo de altitude superior a 25° ou a uma velocidade superior a 17 m/s.
11. Atente-se aos pontos cegos (em cinza) do Sistema Visual e do Sistema de Detecção por Infravermelho. O alcance de observação do sensor infravermelho é de 8 m.



## Conformidade com regulamentos e zonas GEO

### Regulamentações

#### ⚠️ ADVERTÊNCIA

Para evitar comportamentos em desacordo com as regulamentações, ferimentos graves e danos à propriedade, siga as seguintes regras:

1. NÃO opere nas proximidades de aeronaves tripuladas, independentemente da altitude. Caso necessário, aterrisse imediatamente.
2. NÃO sobrevoe com a aeronave áreas onde grandes eventos estão sendo realizados, incluindo eventos esportivos e shows, dentro outro.
3. NÃO sobrevoe áreas proibidas por leis locais com a aeronave.
4. NÃO voe a aeronave acima da altitude autorizada. Mantenha-se afastado e NÃO interfira nas operações de aeronaves tripuladas. Sempre esteja ciente e evite outras aeronaves e obstáculos.

#### ⚠️ CUIDADO

Para evitar ferimentos graves e danos à propriedade, siga as seguintes regras:

1. NÃO voe a aeronave perto ou dentro de Zonas GEO especificadas por leis e regulamentações locais. A lista de Zonas GEO inclui aeroportos, fronteiras entre dois países ou regiões soberanas, principais cidades/regiões, etc., e é atualizada continuamente.
2. NÃO voe a aeronave acima da altitude autorizada.
3. SEMPRE mantenha sua aeronave dentro da linha de visão (VLOS) e use um observador para lhe ajudar, se necessário.
4. NUNCA use a aeronave para transportar produtos/cargas ilegais ou perigosos.

#### ⚠️ ATENÇÃO

1. Antes do voo, certifique-se de compreender a natureza/o tipo da sua operação de voo (como recreação, uso público ou uso comercial) e obtenha a respectiva aprovação e liberação dos órgãos governamentais pertinentes. Consulte seus reguladores locais para obter definições e requisitos específicos e completos. Para os usuários que operam a aeronave nos Estados Unidos, primeiro visite <http://www.knowbeforeyoufly.org/> e tome as medidas apropriadas às suas circunstâncias.
2. Observe que aeronaves com controle remoto podem ser proibidas de realizar atividades comerciais em determinados países e regiões. Verifique e siga todas as leis e determinações locais aplicáveis antes de voar, pois essas regras podem ser diferentes do que está declarado aqui.
3. NÃO voe no entorno de infraestruturas ou propriedades sensíveis, como estações de energia, estações de tratamento de água, centros de detenção, vias de tráfego intenso, instalações governamentais, zonas militares, etc.
4. Respeite a privacidade das outras pessoas ao usar a câmera. NÃO realize operações de vigilância, como a captura de imagens ou vídeos de qualquer pessoa, entidade, evento, apresentação, exibição e propriedade sem autorização, ou quando houver expectativa de privacidade, mesmo se a imagem ou o vídeo for capturado para uso pessoal.
5. Esteja ciente de que, em algumas áreas, a gravação de imagens e vídeos de eventos, apresentações, exposições ou propriedades comerciais por meio de uma câmera pode infringir os direitos autorais ou outros direitos legais, mesmo se a imagem ou vídeo for gravado para uso pessoal.

### Restrições de voo

#### ⚠️ ATENÇÃO

A DJI leva a sério a segurança durante o voo, tendo desenvolvido várias medidas para auxiliar usuários a voar em segurança. Estas medidas não garantem a conformidade com todas as leis, regulamentações e restrições temporárias de voo aplicáveis. Você é o único responsável por seu comportamento ao operar uma aeronave DJI.

Recomendamos atualizar o firmware para a versão mais recente, garantindo que os recursos a seguir estejam totalmente atualizados:

#### Zonas GEO

1. Todas as zonas GEO estão listadas no site oficial da DJI: <http://www.dji.com/flysafe>. As Zonas GEO são divididas em diferentes categorias e incluem, dentre outros, locais como aeroportos, campos de voo onde aeronaves tripuladas operam em baixas altitudes, fronteiras entre países, locais sensíveis, como usinas elétricas, e áreas onde grandes eventos são organizados.
2. As restrições de voo variam de acordo com o local. Dependendo das restrições em uma determinada zona, advertências podem aparecer no aplicativo DJI Pilot e a decolagem pode ser proibida, a altitude de voo pode ser limitada ou a aeronave pode agir de forma automática, como por exemplo, pousar automaticamente.
3. Funções relacionadas a ações de voo serão afetadas até certo ponto, quando a aeronave estiver próxima ou dentro de uma Zona GEO. Esses efeitos incluem, mas não se limitam a desaceleração da aeronave, impossibilidade de criar uma tarefa de voo e interrupção de uma tarefa de voo em andamento.
4. Operar com as restrições de Zonas GEO não garante a sua conformidade com todas as leis, regulamentações e restrições temporárias de voo aplicáveis. Para assegurar conformidade, consulte seu advogado ou autoridades locais.

#### Limite de altitude

1. NÃO voe em altitudes superiores a 120 metros (400 pés) acima do nível do solo e fique longe de quaisquer obstáculos ao redor. A altitude de voo máxima legal pode ser menor, de acordo com leis e regulamentos locais. Siga rigorosamente todas as leis aplicáveis.
2. Se pretender voar acima do limite de altitude padrão, você será solicitado a aceitar o aviso de isenção de responsabilidade apresentado para ativar o novo limite de altitude.

# Краткий обзор правил техники безопасности

## 1. Факторы окружающей среды

- Полеты всегда следует совершать в местах, свободных от зданий и других препятствий.
- НЕ выполняйте полеты над большими скоплениями людей или в непосредственной близости от них.
- Избегайте полеты на высоте более 120 м (400 футов)\*.
- Эксплуатация дрона допускается в умеренных погодных условиях при температурах от -20° до +50°C.
- Соблюдайте дополнительную осторожность при выполнении полетов в помещениях, поскольку при работе функции стабилизации летательного аппарата могут возникнуть помехи.
- НЕ летайте, если скорость ветра превышает 15 м/с. Посадите дрон как можно скорее, когда приложение DJI Pilot предложит вам сделать это.

## 2. Предполетная проверка

- Убедитесь, что аккумулятор пульта управления и летательного аппарата полностью заряжены.
- Убедитесь, что пропеллеры находятся в хорошем состоянии и надежно затянуты перед каждым полетом.
- Убедитесь, что ничего не препятствует работе двигателей. Убедитесь, что двигатели чистые и не имеют пятен.
- Объектив камеры должен быть чистым, на нем не должно быть пятен.
- Заполните предполетный контрольный список, отображаемый в приложении DJI Pilot. Выполняйте калибровку компаса и модуля IMU при получении соответствующего оповещения в приложении DJI Pilot или при соответствующем сигнале светового индикатора.
- Убедитесь, что число спутников GPS составляет не менее 6 в приложении DJI Pilot.
- Изменение или модификация деталей дрона может повлиять на его стабилизацию. Строго следуйте официальной инструкции DJI по установке совместимого внешнего оборудования и убедитесь, что общая масса дрона не превышает 9 кг после присоединения. Убедитесь, что внешнее оборудование установлено в правильном положении, как это предусмотрено в официальной инструкции, чтобы избежать смещения центра тяжести дрона.
- Убедитесь, что система обзора, инфракрасные датчики, курсовые камеры и вспомогательные огни не содержат пятен или отпечатков пальцев, и никакие детали не препятствуют их движению (например, прикрепленный груз).
- Убедитесь, что лучи полностью разложены, лучи и шасси надежно зафиксированы.
- Убедитесь, что резиновая заглушка вставлена надежно, когда порты дрона и пульт управления не используются.
- Убедитесь, что на всех охлаждающих вентиляторах дрона нет посторонних предметов, и что на воздухозаборнике и вентиляционном отверстии нет препятствий. Также убедитесь в том, что вентиляторы работают без посторонних шумов.

## 3. Класс защиты IP45

- В стабильных лабораторных условиях летательные аппараты серии M300 RTK, оснащенные аккумуляторами Intelligent Flight Battery T80, достигают степени защиты IP45 по стандарту IEC60529. Однако этот показатель не является постоянным и может снизиться после длительного использования.
- НЕ выполняйте полеты при уровне осадков более 100 мм/24 ч.
  - НЕ складывайте лучи под дождем.
  - Перед установкой аккумулятора убедитесь, что порты аккумулятора, порты отсека для аккумуляторов, поверхности аккумулятора и поверхности отсека для аккумуляторов сухие.
  - Прежде чем заряжать аккумулятор, убедитесь, что на его портах и поверхностях нет жидкости.
  - Протрите дрон и убедитесь, что на нем нет жидкости, перед помещением его в кейс для переноски.
  - Гарантия на изделие не действует в случае попадания воды.

Дрон не имеет степени защиты IP45 в следующих случаях:

- Сложные лучи.
- Используются аккумуляторы, отличные от предназначенных



Летательный аппарат DJI™ MATRICE™ 300 RTK (M300 RTK) НЕ является игрушкой и не предназначен для лиц младше 18 лет. Обратите внимание, что краткий обзор правил техники безопасности содержит только основную информацию по технике безопасности. Тщательно изучите остальные разделы данного документа.

для серии M300 RTK аккумуляторов Intelligent Flight Battery T80.

- Крышка для портов установлена неправильно.
  - Заглушка верхней крышки для защиты от атмосферных воздействий ненадежно прикреплена к верхней части корпуса.
  - Поломка дрона по разным причинам, например, из-за повреждения корпуса, некачественного водонепроницаемого клея и т. д.
- ## 4. Эксплуатация
- НЕ управляйте дроном с движущегося транспортного средства.
  - Не выполняйте взлет и посадку дрона в песчаных или пыльных местах. Это может сократить срок службы двигателя.
  - Не приближайтесь к вращающимся пропеллерам и двигателям.
  - Постоянно держите летательный аппарат в пределах видимости.
  - Чтобы остановить двигатели в полете, направьте оба джойстика пульта в нижние внутренние углы или нижние внешние углы.
  - Выключение двигателей во время полета может привести к падению дрона. Двигатели могут быть остановлены во время полета, только если полетный контроллер обнаруживает критическую ошибку.
  - Несмотря на то, что дрон оборудован современными технологиями, пилот должен также руководствоваться собственным суждением во время полета. Функции безопасности и помощи при полете, такие как предотвращение столкновений, точная посадка и безопасная посадка, предназначены для облегчения вашей работы, а не для ее замены. Условия окружающей среды, к примеру, освещение и текстура препятствий, могут повлиять на работу системы обзора.
  - ЗАПРЕЩАЕТСЯ отвечать на входящие звонки, текстовые сообщения или использовать другие функции вашего мобильного устройства, которые могут отвлекать вас от управления дроном во время полета. ЗАПРЕЩАЕТСЯ выполнять полеты в состоянии алкогольного или наркотического опьянения.
  - ЗАПРЕЩАЕТСЯ выполнять полеты над такими отражающими поверхностями как вода или снег, поскольку они могут привести к нарушениям в работе системы обзора.
  - В случае предупреждения о низком заряде аккумулятора немедленно посадите дрон в безопасном месте.
  - Во время аварийного возврата домой дрон не сможет избежать препятствий в плохих условиях освещения. Вы можете выйти из процедуры возврата домой и управлять дроном, когда снова получите сигнал пульта управления. Перед каждым полетом важно устанавливать соответствующую высоту аварийного возврата.
  - После посадки сначала остановите двигатель, выключите аккумулятор Intelligent Flight Battery, а затем выключите пульт управления.
  - Несмотря на то, что дрон оборудован современными технологиями, пилот должен также руководствоваться собственным суждением и использовать приложение DJI Pilot во время полета. Функции безопасности и помощи при полете, такие как предотвращение препятствий, точная посадка и функция безопасной посадки, предназначены для облегчения вашей работы, а не для ее замены. Условия окружающей среды, к примеру, освещение и текстура препятствий, могут повлиять на работу системы обзора. Установите значение высоты при возврате домой больше, чем высоты окружающих препятствий в приложении DJI Pilot.
  - Функция безопасной посадки, распознающая подходящую поверхность для посадки в 2 м над ней, предназначена для оптимизации посадки. Сохраняйте бдительность в данной ситуации, т. к. система обзора может не функционировать при слабом освещении, над поверхностью с нечетким рисунком

\* Ограничение высоты полета варьируется в разных юрисдикциях. НЕ взлетайте выше максимально разрешенной высоты, определенной местным законодательством и нормативно-правовыми актами.

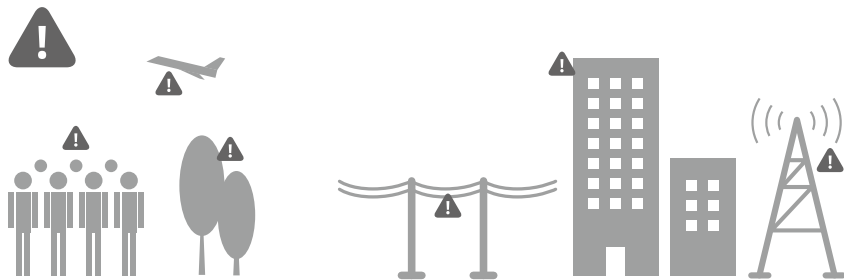
и в некоторых других случаях. Это может привести к сбою распознавания поверхности.

### 5. Техническое обслуживание и уход

- НЕ используйте старые, потрескавшиеся или сломанные пропеллеры.
- Рекомендуется хранить дрон и аккумуляторы в прохладном и сухом месте с температурой от +22° до +30°C и избегать попадания прямых солнечных лучей.
- Для получения дополнительной информации о безопасном использовании аккумулятора Intelligent Flight Battery обратитесь к руководству по безопасной эксплуатации аккумулятора.

### 6. Соблюдайте местные законы и нормативные требования

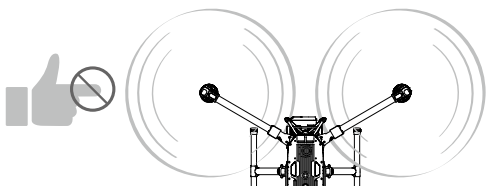
- НЕ выполняйте полеты в зонах GEO. Соответствующую информацию об этих зонах см. на сайте <http://flightsafe.dji.com/>. Свяжитесь с местной авиационной администрацией для получения полных списков и правил зон GEO.
- Ограничение высоты полета варьируется в разных юрисдикциях. НЕ взлетайте выше максимально разрешенной высоты, определенной местным законодательством и нормативно-правовыми актами.
- Избегайте полетов в зонах, где спасательные команды активно используют воздушное пространство.



Избегайте полетов над скоплениями людей, деревьями, аэропортами, или рядом с ними. Сильные источники электромагнитного излучения, такие как линии электропередач, базовые станции и высокие здания, могут повлиять на бортовую компас. Во время полета всегда соблюдайте осторожность по отношению к окружающим предметам.



ЗАПРЕЩАЕТСЯ использовать дрон в неблагоприятных погодных условиях, таких как дождь, снег и туман и при скорости ветра более 15 м/с.



Не приближайтесь к вращающимся пропеллерам и двигателям.



Зона GEO

Узнайте больше на: <https://flightsafe.dji.com>

## ПРИМЕЧАНИЕ

Компания SZ DJI TECHNOLOGY CO., LTD (DJI) вправе единолично вносить изменения в содержание всех инструкций и других сопутствующих документов. Для получения обновленной информации о продукте посетите сайт <http://www.dji.com> и выберите страницу, соответствующую данному продукту.

## Обозначения

Для определения различных уровней потенциальной опасности при применении данного продукта в соответствующих документах применяются следующие термины:

**[ПРИМЕЧАНИЕ]** Операции, при некорректном выполнении которых создается угроза физического повреждения имущества и минимальная возможность получения травм.

**[ПРЕДОСТЕРЕЖЕНИЕ]** Операции, при некорректном выполнении которых создается угроза физического повреждения имущества и вероятности получения травм.

**[ОПАСНО]** Операции, при некорректном выполнении которых создается угроза физического повреждения имущества, сопутствующего ущерба и серьезных травм И/ИЛИ появляется большая вероятность получения серьезных травм.

### ⚠ ПРЕДУПРЕЖДЕНИЕ

**Перед началом эксплуатации прочтите руководство пользователя**

**ПОЛНОСТЬЮ и ознакомьтесь с характеристиками данного продукта. Несоблюдение правил эксплуатации, изложенных в руководстве пользователя, может стать причиной повреждения продукта или личного имущества, а также привести к серьезным травмам.**

**Данный продукт является сложным изделием. Использование изделия требует базовых механических навыков. Будьте внимательны и руководствуйтесь здравым смыслом при работе с устройством. Несоблюдение правил безопасного и ответственного использования данного продукта может привести к травме, повреждению устройства или другого имущества. Этот продукт не предназначен для использования детьми. НЕ используйте несовместимые компоненты и не вносите изменения в конструкцию данного продукта тем или иным способом, не указанным в документах, предоставляемых SZ DJI TECHNOLOGY CO., LTD. Данное руководство по технике безопасности содержит инструкции по технике безопасности, эксплуатации и обслуживанию продукта. Для обеспечения безопасной эксплуатации и во избежание повреждений и серьезных травм до начала сборки, настройки или использования продукта необходимо ознакомиться со всеми инструкциями и предупреждениями в руководстве пользователя и соблюдать их.**

**РЕКОМЕНДУЕМЫЙ ВОЗРАСТ ПОЛЬЗОВАТЕЛЯ: ЛИЦА СТАРШЕ 18 ЛЕТ. ПРОДУКТ НЕ ЯВЛЯЕТСЯ ИГРУШКОЙ.**

## Предполетная проверка

1. Убедитесь, что вы используете только оригинальные запчасти, и что все детали находятся в отличном состоянии.
2. Убедитесь в том, что пульт управления, мобильное устройство и аккумулятор Intelligent Flight Battery полностью заряжены.
3. Перед включением убедитесь в том, что на объективе камеры нет посторонних объектов, что карта памяти microSD вставлена в камеру, а также что стабилизатор свободно вращается.
4. Проверьте надежность пропеллеров и крепежных винтов. В работе двигателей не должно быть сбояв.
5. Следуйте инструкциям на экране для калибровки компаса.
6. Убедитесь, что прошивка летательного аппарата и приложение DJI Pilot обновлены до последней версии.
7. Убедитесь, что зона вашего полета находится за пределами зон GEO и что зона подходит для полета дрона.
8. НЕ совершайте полеты под воздействием алкоголя, наркотиков или любых веществ, которые могут ухудшить ваши когнитивные способности.
9. Ознакомьтесь с выбранным режимом полета, всеми функциями системы безопасности и предупреждениями.
10. Соблюдайте все местные законы, получите необходимые разрешения и проанализируйте риски. **ВНИМАНИЕ!** Вы несете ответственность за соблюдение всех применимых норм.
11. ПОСТОЯННО ДЕРЖИТЕ ЛЕТАТЕЛЬНЫЙ АППАРАТ В

ПРЕДЕЛАХ (ВАШЕЙ) ВИДИМОСТИ. НЕ полагайтесь только на вид с курсовой камеры для управления дроном.

12. Убедитесь, что приложение DJI Pilot запущено и подключено к летательному аппарату. В ряде ситуаций (включая утерю летательного аппарата) при отсутствии полетной информации, записанной при помощи DJI Pilot, компания DJI НЕ гарантирует предоставление послепродажного обслуживания устройств.
13. Всегда проверяйте позиционирование дрона в воздухе, если планируете летать с полезной нагрузкой. Убедитесь, что общая взлетная масса не превышает заданные значения. Выполняйте взлет дрона без сильных механических вибраций, электромагнитных полей, препятствий для системы зрения или инфракрасных датчиков.
14. Убедитесь, что система обзора, инфракрасные датчики, курсовые камеры и объективы вспомогательного освещения чистые, не содержат пятен или отпечатков пальцев, и никакие детали не препятствуют их движению (например, прикреплённый груз).
15. Убедитесь, что лучи полностью разложены, лучи и шасси надежно зафиксированы.
16. Убедитесь, что резиновая заглушка вставлена надежно, когда порты дрона и пульт управления не используются.
17. Убедитесь, что на охлаждающих вентиляторах дрона нет посторонних предметов, и что на воздухозаборнике и вентиляционном отверстии нет препятствий. Также убедитесь, что вентиляторы работают без посторонних шумов.

## Отказ от ответственности и предупреждение

Данный продукт НЕ является игрушкой и не предназначен для лиц младше 18 лет. Дрон должен храниться в местах, недоступных для детей. В присутствии детей полеты следует выполнять с особой осторожностью.

Несмотря на то, что дрон оснащен передовыми технологиями, его ненадлежащее использование может привести к травмам или повреждению имущества. Перед первым использованием продукта ознакомьтесь с соответствующими материалами. Эти документы содержатся в комплекте поставки продукта а также находятся на странице продукта DJI на сайте <http://www.dji.com>.

Информация, содержащаяся в этом документе, касается вашей безопасности, законных прав и обязанностей. Чтобы должным образом настроить продукт перед его использованием, внимательно ознакомьтесь с полным содержанием данного документа. Отказ от ознакомления и выполнения инструкций и предупреждений, содержащихся в настоящем документе, может стать причиной потери продукта, получения явных серьезных травм или повреждения данного летательного аппарата.

Используя данный продукт, вы подтверждаете, что внимательно ознакомились с заявлением об отказе от ответственности и предупреждением, понимаете его и соглашаетесь выполнять содержащееся в данном документе пользовательское соглашение. **КРОМЕ ЯВНЫХ ОБРАЗЦОВ ПРЕДУСМОТРЕННОГО В ГАРАНТИЙНОМ ОБСЛУЖИВАНИИ DJI (ПОЛИТИКА КОМПАНИИ ДОСТУПНА НА СТРАНИЦЕ ([HTTP://WWW.DJI.COM/SERVICE/POLICY](http://www.dji.com/service/policy)), ПРОДУКТ И ВСЕ ДОСТУПНЫЕ С ПРОДУКТОМ МАТЕРИАЛЫ И ИХ СОДЕРЖАНИЕ ПРЕДОСТАВЛЕНЫ «КАК ЕСТЬ» И «В СУЩЕСТВУЮЩЕМ СОСТОЯНИИ» БЕЗ КАКИХ-ЛИБО ГАРАНТИЙ ИЛИ УСЛОВИЙ, ЯВНО ВЫРАЖЕННЫХ ИЛИ ПОДРАЗУМЕВАЕМЫХ, ЗА ИСКЛЮЧЕНИЕМ ГАРАНТИИ, ЯВНОМ ОБРАЗЦОМ ПРЕДУСМОТРЕННЫХ В ПРАВИЛАХ ПОСЛЕПРОДАЖНОГО ОБСЛУЖИВАНИЯ DJI, КОМПАНИЯ DJI НЕ ПРЕДОСТАВЛЯЕТ НИКАКИХ ДРУГИХ ГАРАНТИЙ, ЯВНО ВЫРАЖЕННЫХ ИЛИ ПОДРАЗУМЕВАЕМЫХ, ОТНОСЯЩИХСЯ К ПРОДУКТУ, АКСЕССАРАМ ПРОДУКТА И ВСЕМ МАТЕРИАЛАМ, ВКЛЮЧАЯ СЛЕДУЮЩЕЕ: (А) ЛЮБАЯ ПОДРАЗУМЕВАЕМАЯ ГАРАНТИЯ ОТНОСИТЕЛЬНО КОММЕРЧЕСКОЙ ПРИГОДНОСТИ, СООТВЕТСТВИЯ КОНКРЕТНОМУ НАЗНАЧЕНИЮ, НАЗВАНИЯ, БЕСПРЕЯТСТВЕННОГО ИСПОЛЬЗОВАНИЯ ИЛИ ОТСУТСТВИЯ НАРУШЕНИЙ ПРАВ ИНТЕЛЛЕКТУАЛЬНОЙ СОБСТВЕННОСТИ; И (Б) ЛЮБАЯ ГАРАНТИЯ, ВЫТЕКАЮЩАЯ ИЗ ЭКСПЛУАТАЦИИ, ИСПОЛЬЗОВАНИЯ ИЛИ КОММЕРЧЕСКОГО ПРИМЕНЕНИЯ. DJI НЕ ГАРАНТИРУЕТ, ЗА ИСКЛЮЧЕНИЕМ СЛУЧАЕВ, ЯВНОМ ОБРАЗЦОМ ПРЕДУСМОТРЕННЫХ В ОГРАНИЧЕННОЙ ГАРАНТИИ DJI, ЧТО ПРОДУКТ, АКСЕССАРЫ ПРОДУКТА, ЛЮБАЯ ЧАСТЬ ПРОДУКТА ИЛИ ЛЮБЫЕ МАТЕРИАЛЫ БУДУТ ПОСТОЯННО И БЕЗОПАСНО РАБОТАТЬ НЕ БУДУТ СОДЕРЖАТЬ НЕИСПРАВНОСТЕЙ, ВИРУСОВ ИЛИ ДРУГИХ ВРЕДНЫХ КОМПОНЕНТОВ, А ТАКЖЕ НЕ ПРЕДОСТАВЛЯЕТ ГАРАНТИИ ТОГО, ЧТО ЛЮБАЯ ИЗ ЭТИХ ПРОБЛЕМ БУДЕТ ИСПРАВЛЕНА.**

**НИКАКИЕ РЕКОМЕНДАЦИИ ИЛИ ИНФОРМАЦИЯ, ПОЛУЧЕННАЯ В УСТНОЙ ИЛИ ПИСЬМЕННОЙ ФОРМЕ ПРИ**



ИСПОЛЬЗОВАНИИ ПРОДУКТА, АКСЕССУАРОВ ПРОДУКТА ИЛИ ЛЮБЫХ МАТЕРИАЛОВ, НЕ ЯВЛЯЮТСЯ ОСНОВАНИЕМ ПРЕДОСТАВЛЕНИЯ ГАРАНТИИ, ОТНОСЯЩЕЙСЯ К DJI ИЛИ ПРОДУКТУ, ЗА ИСКЛЮЧЕНИЕМ ГАРАНТИЙ, ЯВНЫМ ОБРАЗОМ ПРЕДУСМОТРЕННЫХ В ЭТИХ УСЛОВИЯХ. ВЫ ПРИНИМАЕТЕ НА СЕБЯ ВСЕ РИСКИ ОТНОСИТЕЛЬНО ЛЮБЫХ ПОВРЕЖДЕНИЙ, КОТОРЫЕ МОГУТ ВОЗНИКНУТЬ В РЕЗУЛЬТАТЕ ИСПОЛЬЗОВАНИЯ ПРОДУКТА, АКСЕССУАРОВ ПРОДУКТА И ЛЮБЫХ МАТЕРИАЛОВ, ИЛИ ВАШЕГО ДОСТУПА К НИМ. ВЫ ПОНИМАЕТЕ И СОГЛАЩАЕТЕСЬ, ЧТО ИСПОЛЬЗУЕТЕ ПРОДУКТ ПО ВАШЕМУ УСМОТРЕНИЮ И НА ВАШ РИСК, ЧТО ВЫ САМИ НЕСЕТЕ ОТВЕТСТВЕННОСТЬ ЗА ТРАВМЫ, СМЕРТЬ, УЩЕРБ ВАШЕМУ ИМУЩЕСТВУ (ВКЛЮЧАЯ КОМПЬЮТЕРНУЮ СИСТЕМУ, МОБИЛЬНОЕ УСТРОЙСТВО ИЛИ ОБОРУДОВАНИЕ DJI, ПОДКЛЮЧАЕМЫЕ К ПРОДУКТУ) ИЛИ ИМУЩЕСТВО ТРЕТЬИХ ЛИЦ, И ЗА ПОТЕРЮ ДАННЫХ, ПРОИЗОШЕДШИЕ В РЕЗУЛЬТАТЕ ИСПОЛЬЗОВАНИЯ ВАМИ ИЛИ НЕВОЗМОЖНОСТИ ИСПОЛЬЗОВАНИЯ ВАМИ ПРОДУКТА.

НЕКОТОРЫЕ ЮРИСДИКЦИИ МОГУТ ИСКЛЮЧАТЬ ОТКАЗ ОТ ОТВЕТСТВЕННОСТИ И УСЛОВИЯ ПРЕДОСТАВЛЕНИЯ ГАРАНТИЙ. ВЫ МОЖЕТЕ ИМЕТЬ ДРУГИЕ ПРАВА, В ЗАВИСИМОСТИ ОТ ЮРИСДИКЦИИ.

DJI не несет ответственность за повреждения, травмы или любую юридическую ответственность, прямо или косвенно вызванную использованием данного продукта. На пользователя возлагается обязанность соблюдать правила техники безопасности и дозволенные законом практики, в частности, изложенные в данном руководстве по технике безопасности.

### Хранение и использование данных

При использовании наших мобильных приложений, продуктов или другого программного обеспечения, телеметрические полетные данные, включая скорость, высоту, срок службы аккумулятора, информацию о стабилизаторе и камере, могут быть предоставлены DJI. Встроенный накопитель хранит различные типы данных, в том числе данные о телеметрии полета. Вы также можете предоставить нам данные о телеметрии полетов и другие сведения, когда вы вручную передаете нам эту информацию с внутреннего устройства хранения данных.

Более подробная информация приведена в политике конфиденциальности DJI (<http://www.dji.com/policy>).

## Перед началом эксплуатации

Данный продукт представляет собой летательный аппарат, который легко использовать, если он находится в хорошем рабочем состоянии (описано ниже). Посетите сайт <http://www.dji.com> для ознакомления с последними инструкциями и предупреждениями, а также сайт <http://knowbeforeyoufly.org/> для более подробной информации о безопасности полетов и соответствии требованиям.

Данные документы были разработаны с целью безопасной и полноценной эксплуатации вашего дрона:

- Комплект поставки
- Заявление об отказе от ответственности и руководство по технике безопасности
- Руководство по технике безопасности аккумулятора Intelligent Flight Battery
- Краткое руководство
- Руководство пользователя

Проверьте все включенные детали, перечисленные в комплекте поставки, ознакомьтесь с заявлением об отказе от ответственности и руководством по технике безопасности перед полетом. Затем подготовьтесь к первому полету, прочтите краткое руководство и просмотрите все обучающие видео на официальном сайте DJI (<http://www.dji.com>). Если у вас возникли вопросы, см. руководство пользователя в приложении или на официальном сайте DJI для получения более полной информации. Убедитесь, что вы полностью понимаете функциональность каждой отдельной детали, требования к условиям полета, основные функции/системы предупреждения о чрезвычайных ситуациях и все нормативные акты перед каждым полетом. Если у вас возникли вопросы во время сборки, обслуживания или эксплуатации данного продукта, свяжитесь с компанией DJI или ее официальным представителем.

## Отдельные компоненты

**Информация по оригинальным и функциональным деталям**

### ПРЕДУПРЕЖДЕНИЕ

**Соблюдение следующих правил поможет вам избежать неисправности компонентов, серьезных травм и причинения**

**ущерба имуществу:**

- Используйте только оригинальные или сертифицированные DJI запчасти.** Запчасти сторонних и не сертифицированных компаний DJI производителей могут вызвать неисправности системы и угрозу безопасности.
- Убедитесь, что внутри дрона или его компонентов нет посторонних предметов (таких как вода, масло, почва, песок и т. д.).
- Убедитесь, что дрон и его компоненты, включая, помимо прочего, пульт управления, камеру, стабилизатор, компас, силовую установку и аккумулятор, находятся в хорошем рабочем состоянии, не имеют повреждений и хорошо функционируют. Обратитесь к остальным разделам в этом документе для получения дополнительной информации о том, как обеспечить функциональность этих компонентов.
- НЕ модифицируйте и не изменяйте дрон, его компоненты и детали.** Несанкционированная модификация может стать причиной неисправностей и повлиять на функциональность и безопасность дрона.
- Убедитесь, что на всех охлаждающих вентиляторах дрона нет посторонних предметов, и что на воздухозаборнике и вентиляционном отверстии нет препятствий.
- Все аксессуары, которые будут использоваться с серией M300 RTK, такие как стабилизаторы и радар GPS, должны использоваться только с летательным аппаратом. Пользователи несут полную ответственность за ущерб, нанесенный аксессуарами, которые использовались с неофициальными устройствами.
- НЕ используйте кабели стороннего производителя для подключения к портам дрона.** Это может привести к сбоям в работе системы и нарушить безопасность.

## Система передачи видео

### ПРИМЕЧАНИЕ

- Включайте режим «Custom» (пользовательский) только под руководством профессионалов. В противном случае сигнал передачи видео может запаздывать или даже теряться из-за помех.

## Пульт управления

### ПРИМЕЧАНИЕ

- Полностью зарядяйте пульт DJI Smart Controller перед каждым полетом.
- Если пульт DJI Smart Controller включен и сенсорный экран выключен на пять минут, прозвучит звуковой сигнал. Через десять секунд после звукового сигнала пульт DJI Smart Controller автоматически отключится. Переместите двойстику или выполните другое действие, чтобы отменить звуковой сигнал.
- Убедитесь, что антенны выдвинуты и выставлены в положение, необходимое для достижения оптимального качества передачи сигнала.
- Обратитесь в службу поддержки DJI для ремонта или замены антенн, если они повреждены. Поврежденные антенны значительно снижают производительность.
- При смене дрона снова выполните сопряжение пульта Smart Controller и дрона.
- Убедитесь, что дрон отключен до сопряжения с пультом DJI Smart Controller.
- Полностью зарядяйте пульт DJI Smart Controller каждые три месяца.
- Немедленно зарядите пульт DJI Smart Controller, если его уровень мощности снизится до 10%, чтобы предотвратить повреждение интеллектуального контроллера из-за чрезмерной разрядки в течение длительного периода. Разрядите пульт DJI Smart Controller до уровня мощности между 40% и 60%, если он хранится в течение длительного периода.
- НЕ закрывайте вентиляционное отверстие на пульте DJI Smart Controller. В противном случае он может стать слишком горячим, что может повлиять на его производительность.
- НЕ разбирайте пульт DJI Smart Controller без помощи официального представителя DJI. Всегда связывайтесь с DJI или официальным представителем DJI для замены его компонентов.

- НЕ блокируйте встроенный GPS. В случаях, когда установлен монтажный кронштейн для экрана гюльта DJI Smart Controller Enterprise (в дальнейшем именуемый «Монтажный кронштейн»), снимите его и попробуйте еще раз, если сигнал GPS слабый.
- Во избежание износа крышки для джойстиков НЕ снимайте их слишком часто.

## Компас

### ПРЕДУПРЕЖДЕНИЕ

Соблюдение следующих правил поможет вам избежать возможных серьезных травм и причинения ущерба имуществу:

- Немедленно выполните посадку при дрейфе в полете.
- НЕ летайте при возникновении сильных электромагнитных помех или в местах с большим количеством препятствий.
- Если приложение DJI Pilot запрашивает калибровку компаса перед взлетом, выполняйте взлет после калибровки в среде без электромагнитных помех.

### ПРИМЕЧАНИЕ

Выполняйте калибровку компаса только при получении оповещения в приложении DJI Pilot или при сигнале светового индикатора. При калибровке компаса соблюдайте следующие правила:

- НЕ калибруйте компас там, где есть магнитные помехи, такие как помехи от магнетита, парковочных сооружений или стальной арматуры под землей.
- НЕ носите с собой ферромагнитные материалы во время калибровки, например, сотовые телефоны.
- Приложение DJI Pilot предложит вам решить проблему с компасом, если на компас влияют сильные помехи после завершения калибровки. Следуйте инструкциям, чтобы решить проблему с компасом.

## Силовые установки

### ПРЕДУПРЕЖДЕНИЕ

Во избежание серьезных травм по отношению к себе или окружающим, которые могут быть вызваны вращающимися пропеллерами и двигателями, соблюдайте следующие правила:

### Пропеллеры

- НЕ пользуйтесь старыми, потрескавшимися или сломанными пропеллерами.
- Всегда выключайте дрон перед тем, как прикасаться к пропеллерам.
- При установке или снятии пропеллеров помните, что их края острые. Надевайте перчатки или защищайте себя иным образом при работе с пропеллерами.
- При необходимости используйте инструменты (например, гаечный ключ, отвертку, плоскогубцы и т. д.) для снятия или установки пропеллеров.
- Убедитесь, что пропеллеры и крепежные винты надежно закреплены, чтобы предотвратить их выпадение из двигателей.
- НЕ включайте двигатели, когда пропеллеры установлены, а в непосредственной близости находятся другие люди или животные.
- Использование пропеллеров сторонних производителей может нарушить аэродинамику дрона. Для лучшего и более безопасного полета мы рекомендуем использовать только оригинальные пропеллеры DJI.
- Протрите пропеллеры, они должны быть сухими перед каждым полетом, когда температура окружающей среды составляет около 0°C, чтобы избежать их замерзания.

### Моторы

- Убедитесь в том, что двигатели надежно закреплены и легко вращаются.
- Перед совершением каждого полета убедитесь в правильности установки и в том, что двигатель работает нормально. Если вентиляционные отверстия на двигателях засорены, очистите их перед полетом. Если крышка пришла в негодность, повредилась или деформировалась, свяжитесь с компанией DJI или ее официальным представителем.
- НЕ пытайтесь вносить изменения в конструкцию двигателей.

- НЕ прикасайтесь к двигателям после полета, так как они могут быть горячими.

## Электронные регуляторы хода

- При необходимости перед каждым полетом следуйте указаниям приложения, чтобы оптимизировать работу электронных регуляторов хода.
- Посадите дрон, если приложение DJI Pilot сообщает, что с электронными регуляторами хода что-то не так (например, перегрев, низкое напряжение или перегрузка).

### ПРЕДУПРЕЖДЕНИЕ

Соблюдение следующих правил поможет вам избежать возможных серьезных травм и причинения ущерба имуществу:

- НЕ закрывайте вентиляционные отверстия на двигателях.
- НЕ закрывайте вентиляционные отверстия на луче дрона.

### ПРИМЕЧАНИЕ

## Моторы

- Не выполняйте взлет и посадку дрона в песчаных или пыльных местах. Это может сократить срок службы двигателя.
- Не допускайте попадания пыли на двигатели и убедитесь, что вентиляционные отверстия двигателя не засорены.
- Если двигатель заклинило, и он не может свободно вращаться, установите джойстики в комбинированное положение (CSC), чтобы немедленно остановить двигатели.

## Электронные регуляторы хода

Убедитесь, что электронные регуляторы хода издадут нормальный звук при включении.

## Приложение DJI Pilot

### ПРИМЕЧАНИЕ

- Обязательно полностью зарядите планшет или мобильное устройство (если оно используется) перед запуском приложения.
- Если вы используете телефон в качестве мобильного устройства отображения, всегда обеспечивайте безопасность полетов, когда на телефон поступит входящий вызов. НЕ принимайте телефонные звонки во время полета.
- При использовании приложения DJI Pilot требуется мобильное соединение. Свяжитесь с вашим оператором беспроводной связи для получения информации об олате.
- Внимательно ознакомьтесь со всей отображаемой информацией по технике безопасности, предупреждающими сообщениями и заявлением об отказе от ответственности. Ознакомьтесь с соответствующим местным законодательством. Вы несете единоличную ответственность за ознакомление с применимым законодательством и выполнение полетов в соответствии с ним.
  - Прочитайте и примите к сведению все предупреждающие сообщения перед сбросом домашней точки.
  - Прочитайте и примите к сведению предупреждающие сообщения и заявление об отказе от ответственности перед установкой высоты, превышающей заданное значение.
  - Необходимо прочитать и принять к сведению предупреждающие сообщения и заявления об отказе от ответственности перед тем, как менять режимы полета.
- Незамедлительно посадите дрон в безопасном месте, если в приложении отображается предупреждение.
- Перед каждым полетом изучите и проверьте все предупреждающие сообщения в контрольном списке, отображаемом в приложении.
- Если вы никогда не управляли летательным аппаратом или НЕ имеете достаточно опыта, воспользуйтесь DJI ASSISTANT™ 2 для выработки полетных навыков.
- Перед каждым полетом копируйте карту местности полета из интернета в память устройства.
- Приложение разработано для помощи в управлении дроном. НЕ доверяйте контроль управления приложению и управляйте дроном с осторожностью.
- Приложением необходимо пользоваться в соответствии с условиями использования приложения DJI Pilot и политикой конфиденциальности DJI. Внимательно ознакомьтесь с их содержанием в приложении.

## Программное обеспечение (ПО)

### ⚠ ПРЕДУПРЕЖДЕНИЕ

**Во избежание серьезных травм детей и животных соблюдайте следующее правило:**

1. **Держите устройство на безопасном расстоянии от детей и животных во время любого обновления ПО, калибровки системы и процедуры настройки параметров.**

### ПРИМЕЧАНИЕ

1. В целях безопасности всегда обновляйте ПО до последней версии при появлении соответствующего уведомления в приложении DJI Pilot.
2. Уведомления об обновлении ПО содержат информацию о появлении его новой версии. Вы должны полностью ознакомиться с отображаемой информацией.
3. Обязательно обновите ПО пульта управления до последней версии после обновления ПО дрона.
4. После обновления ПО связь пульта управления с дроном может быть нарушена.
5. Перед началом обновления ПО проверьте все соединения и снимите пропеллеры с двигателей.

## SDK

### ПРИМЕЧАНИЕ

1. Перед использованием DJI SDK вы должны согласиться с условиями использования DJI SDK и политической конфиденциальности DJI. Настоящие условия использования и политика конфиденциальности ограничивают некоторые юридические обязанности DJI. Внимательно ознакомьтесь с ними на странице <https://developer.dji.com/policies/>.

## Камера (опционально)

### ⚠ ПРЕДУПРЕЖДЕНИЕ

**Соблюдение следующих правил поможет вам избежать возможных серьезных травм и причинения ущерба имуществу:**

1. **НЕ закрывайте вентиляционные отверстия камеры, т. к. генерируемое ей тепло может повредить устройство и обжечь пользователя.**

### ПРИМЕЧАНИЕ

1. Перед использованием проверьте настройки камеры, чтобы убедиться, что они настроены в соответствии с вашими потребностями.
2. Проверьте камеру, сняв несколько тестовых изображений, и убедитесь, что она работает правильно, прежде чем снимать важный материал.
3. НЕ извлекайте карту памяти microSD из стабилизированной камеры, когда она включена. Используйте только рекомендованные карты памяти microSD.
4. Отключение аккумулятора Intelligent Flight Battery должно производиться корректно. В противном случае параметры камеры НЕ будут сохранены, а записанные видеоролики могут быть повреждены.
5. Независимо от причины, компания DJI не несет ответственности за нечитаемые фотографии или видеоролики, записанные способом, который привел к невозможности аппаратного считывания.

## Стабилизатор (опционально)

### ПРИМЕЧАНИЕ

1. В результате столкновения или удара стабилизатор может получить повреждения, которые приведут к его некорректной работе.
2. НЕ подвергайте стабилизатор внешнему воздействию после подключения питания.
3. НЕ крепите дополнительную полезную нагрузку к стабилизатору, так как это может привести к его некорректной работе или даже к поломке двигателя.
4. Стабилизатор и его разъем очень хрупкие. Обращайтесь с ними осторожно. НЕ трогайте разъем для стабилизатора, так как любое повреждение приведет к нарушению его работы.
5. Крепко удерживайте стабилизатор при отсоединении или присоединении, чтобы он не упал.

6. НЕ прикрепляйте и не снимайте стабилизатор, когда дрон включен.
7. При использовании системы с несколькими стабилизаторами, строго следуйте инструкциям в руководстве пользователя для правильной установки совместимых камер со стабилизатором.

## Уход за устройством

### Хранение и транспортировка

### ⚠ ПРЕДУПРЕЖДЕНИЕ

**Во избежание серьезных травм детей и животных соблюдайте следующее правило:**

1. **Детали небольшого размера, такие как кабели и ремни, опасны при проглатывании. Храните все детали в местах, недоступных для детей и животных.**

### ПРИМЕЧАНИЕ

1. Регулярно заряжайте и разряжайте аккумулятор полностью, чтобы сохранить его работоспособность. Для получения дополнительной информации о безопасном использовании аккумулятора Intelligent Flight Battery обратитесь к руководству по безопасной эксплуатации аккумулятора.
2. НЕ допускайте контакта или погружения камеры в воду или другие жидкости. В случае намочения протрите мягкой, впитывающей тканью. Включение дрона после падения в воду может привести к неисправному повреждению. НЕ используйте вещества, содержащие спирт, бензол, растворитель или другие легко воспламеняющиеся вещества для чистки камеры. НЕ храните камеру во влажных или пыльных местах.
3. Отсоедините стабилизатор от дрона при хранении в течение длительного периода времени или при транспортировке на большие расстояния.
4. НЕ подключайте этот продукт к разъему USB версий ниже 2.0. НЕ подключайте этот продукт к устройствам быстрой зарядки, например, «power USB».
5. Для предотвращения повреждений антенн во время транспортировки лучи и пропеллеры должны быть сложены. Поместите дрон на землю аккуратно, чтобы не повредить модуль IMU и другие детали.

## Техническое обслуживание и уход

### ПРИМЕЧАНИЕ

1. Свяжитесь с сервисными центрами, рекомендованными DJI, для осмотра или ремонта продукта после любого столкновения или сильного удара. Эксплуатация поврежденного дрона очень опасна и может привести к травмам или повреждению имущества.
2. Регулярно полностью заряжайте и разряжайте аккумулятор, чтобы сохранить его работоспособность. Для получения дополнительной информации о безопасном использовании аккумулятора Intelligent Flight Battery обратитесь к Руководству по безопасной эксплуатации аккумулятора.
3. Рекомендуется регулярно планировать обслуживание для обеспечения безопасности и надежности полета. Более подробная информация приведена в инструкции по технике безопасности аккумулятора Intelligent Flight Battery.
4. Регулярно проверяйте индикаторы уровня заряда аккумулятора для отслеживания текущего уровня заряда или всего срока службы аккумулятора. Аккумулятор рассчитан на 200 циклов. После этого срока его не рекомендуется использовать. Для получения дополнительной информации о безопасном использовании и обслуживании аккумулятора Intelligent Flight Battery обратитесь к Руководству по безопасной эксплуатации аккумулятора.
5. Обратитесь к руководству по техосмотру, чтобы получить информацию по обслуживанию продукта при использовании в течение длительного периода, чтобы поддерживать продукт в наилучшем состоянии и снизить потенциальную угрозу безопасности. Обратитесь к руководству по техосмотру, чтобы получить информацию о том, как проверять и обслуживать продукт после длительного срока использования. Вы также можете отправить продукт в DJI для обслуживания. Перейдите на <https://enterprise.dji.com/enterprise-maintenance>, чтобы получить дополнительную информацию.
6. Детали M300 RTK имеют безопасный срок службы. С момента первого использования такие изнашиваемые детали, как пропеллер и амортизатор стабилизатора, безопасный

срок службы составляет 300 часов, а компоненты силовой установки имеют безопасный срок службы 900 часов. Если продукт используется по истечении безопасного срока службы, может возникнуть угроза безопасности. DJI не несет ответственности за любые риски, которые могут возникнуть при продолжении использования продукта по истечении безопасного срока службы.

## Требования к условиям полета

### Погодные условия и окружающая среда

#### **⚠ ПРЕДУПРЕЖДЕНИЕ**

**Данный летательный аппарат предназначен для работы при хороших и умеренных погодных условиях. Соблюдение следующих правил поможет вам избежать столкновений, серьезных травм и причинения ущерба имуществу:**

1. **НЕ используйте летательный аппарат в неблагоприятных погодных условиях.** К ним относятся сильный ветер со скоростью выше 15 м/с, снег, дождь, туман, град, гроза, торнадо или ураган.
2. **Держите дрон на расстоянии не менее 10 метров от препятствий, людей, животных, зданий, общественной инфраструктуры, деревьев и водоемов во время полета. Держитесь на еще большем расстоянии от вышеупомянутых объектов при увеличении высоты полета.**
3. **Будьте ПРЕДЕЛЬНО осторожны при эксплуатации дрона в помещении. Это может повлиять на некоторые характеристики дрона, особенно на стабилизацию.**
4. **Обязательно включите систему обзора при полете в помещении. Обратите внимание, что система обзора может НЕ работать должным образом при полете над водой, над поверхностями без видимой текстуры или в тусклом освещении.**

#### **ПРИМЕЧАНИЕ**

1. Производительность дрона и аккумулятора зависит от условий окружающей среды, например плотности воздуха и температуры.
  - a. НЕ эксплуатируйте дрон, если температура находится за пределами диапазона от -20°C до 50°C.
2. НЕ используйте дрон вблизи мест происшествий, пожаров, взрывов, наводнений, цунами, лавин, оползней, землетрясений, пыли или песчаных бурь.

### Помехи и связь

#### **ПРИМЕЧАНИЕ**

1. Проверьте, не подверглась ли какая-либо часть дрона ударным воздействиям. При необходимости обратитесь в службу поддержки или к официальным представителям DJI.
2. Выполняйте полеты на открытых участках. Высокие здания или металлические конструкции могут повлиять на точность бортового компаса и стабильность сигнала GPS.
3. Избегайте появления помех между пультом управления и другим беспроводным оборудованием. Отключите Wi-Fi на вашем мобильном устройстве.
4. Будьте предельно внимательны и НЕ выполняйте полеты вблизи мест, где возможны магнитные или радиочастотные помехи. К этим местам в том числе относятся: высоковольтные линии электропередач, крупные станции электропередачи, станции мобильной связи и вышки радиопередач. Нарушение этого пункта может снизить качество передачи сигнала или привести к сбою в работе пульта управления и проблемам трансляции видео, что может негативно повлиять на ориентацию в полете и точность позиционирования. В районах с очень сильными помехами летательный аппарат может вести себя некорректно или полностью выйти из-под контроля.

### Ответственное управление дроном

#### **⚠ ПРЕДУПРЕЖДЕНИЕ**

**Соблюдение следующих правил поможет вам избежать серьезных травм и причинения ущерба имуществу:**

1. **НЕ управляйте дроном в состоянии алкогольного или наркотического опьянения, под воздействием анестезии, при головокружении, тошноте или других физических или психических расстройствах, которые могут повлиять на вашу способность управлять дроном.**

2. **После приземления сначала выключите дрон, а затем выключите пульт управления.**
3. **НЕ роняйте, не запускайте, не выстреливайте и не выпускайте каким-либо иным образом опасные и потенциально вредные нагрузки вблизи зданий, людей или животных или на них, которые могут привести к травмам или повреждению имущества.**
4. **НЕ используйте дрон, который упал или случайно подвергся ударному воздействию, или дрон, который находится в неисправном состоянии.**

#### **ПРИМЕЧАНИЕ**

1. Убедитесь, что вы достаточно подготовлены и знаете, как действовать в чрезвычайной ситуации.
2. Убедитесь, что у вас есть план полета и следуйте здравому смыслу при управлении дроном.
3. При использовании камеры не забывайте о личном пространстве других людей. Убедитесь, что вы соблюдаете местные законы о личном пространстве, правила и моральные нормы.
4. **ИСПОЛЬЗУЙТЕ** этот продукт исключительно для общего личного пользования. **ЗАПРЕЩАЕТСЯ** использовать дрон в противозаконных целях и целях, для которых он не предназначен (таких как шпионаж, военные действия или несанкционированные расследования).
5. **НЕ ИСПОЛЬЗУЙТЕ** этот продукт с целью клеветы, злоупотребления, преследования, угрозы или иного нарушения законных прав (таких как право на неприкосновенность частной жизни и распространение информации) других лиц.
6. **НЕ нарушайте частную собственность других лиц.**

## Режимы полета, функции и предупреждения

### Режимы полета

#### **⚠ ПРЕДУПРЕЖДЕНИЕ**

**НЕ переключайтесь из режима P в режим S или режим T, если вы не достаточно знакомы с поведением дрона в каждом режиме полета. Вы должны включить «Multiple Flight Modes» (смена режимов одним нажатием) в приложении, прежде чем вы сможете переключиться из режима P в другие режимы.**

**Дрон автоматически перейдет в режим «Attitude» (ac), когда будут выполнены оба следующих условия: (1) система обзора недоступна и (2) слабый сигнал GPS или помехи компаса.**

**В режиме asa система обзора и некоторые расширенные функции отключены, поэтому летательный аппарат не может позиционировать себя или автоматически тормозить в этом режиме. На него легко может повлиять окружающая обстановка, что может привести к горизонтальному смещению. Используйте пульт управления для позиционирования дрона.**

**Дроном может быть сложно маневрировать в режиме asa. Прежде чем переключать дрон в этот режим, убедитесь, что вам комфортно в нем летать. НЕ допускайте полет дрона на дальнее расстояние, так как вы можете потерять управление и создать потенциальную опасность.**

**Избегайте полетов в местах со слабым сигналом GPS или в узких и ограниченных пространствах. В противном случае дрон будет вынужден перейти в режим asa, что может привести к потенциальной опасности полета, поэтому как можно скорее посадите его в безопасном месте.**

#### **ПРИМЕЧАНИЕ**

Режим P предпочтительнее для большинства сценариев полета. При полете в других режимах примите ДОПОЛНИТЕЛЬНЫЕ меры предосторожности, поскольку некоторые функции НЕ будут доступны. При полете в режиме asa примите ДОПОЛНИТЕЛЬНЫЕ меры предосторожности, поскольку некоторые функции НЕ будут доступны. При полете в помещении дрон не может выполнять точное зависание в воздухе при полете над поверхностями без четких контуров. Обратитесь к разделу «Система обзора и система инфракрасных датчиков», чтобы ознакомиться с полными критериями полета в помещении.

1. Режим P (позиционирование): режим P лучше всего использовать при наличии стабильного сигнала GPS. Летательный аппарат использует GPS и систему обзора для автоматической стабилизации.

- Режим S (спортивный): режим S идентичен режиму P с точки зрения настроек полетного контроллера за исключением того, что значения усиления управления дрона регулируются для улучшения маневренности летательного аппарата. В этом режиме максимальная скорость полета дрона увеличивается.
- Режим T (штатив): режим T основан на режиме P, но с ограниченной скоростью полета, что существенно упрощает управление дроном.

## Функция возврата домой

### ПРИМЕЧАНИЕ

- На функцию возврата домой могут влиять погода, окружающая среда или любые близлежащие магнитные поля.
- Убедитесь в том, что дрон находится в зоне действия пульта управления (соответствует дальности передачи сигнала).
- Нажмите кнопку RTH (возврат домой) на пульте управления, чтобы запустить функцию возврата домой вместо выключения пульта управления. Дрон полетит к последней зарегистрированной домашней точке.
- Во время полета, если дрон летит над очень темными (< 15 люкс) или яркими (> 10 000 люкс) поверхностями, он не сможет избежать препятствий. HE полагается на систему обзора и всегда будьте бдительны, когда управляете дроном. При необходимости управляйте дроном самостоятельно или нажмите кнопку возврата домой, чтобы остановить функцию.
- Высокие здания могут отрицательно повлиять на функцию аварийного возврата домой. В связи с этим, перед каждым полетом важно установить соответствующую высоту возврата в аварийном режиме. Пожалуйста, отрегулируйте высоту дрона при возвращении домой.
- Функция возврата домой HE будет работать при слабом сигнале GPS (меньше трех делений) или если спутниковая связь отключена.
- В случае потери сигнала пульта управления и слабого сигнала GPS, если дрон не может обнаружить домашнюю точку, он зависнет в воздухе на 8 секунд, а затем автоматически приземлится, если будет находиться в режиме «P».
- Если срок службы аккумулятора позволяет, дрон может сначала вернуться в последнюю позицию, в которой была связь с пультом управления во время аварийного возврата домой. В результате вы можете наблюдать, как дрон сначала улетает, а затем возвращается в домашнюю точку.

## Низкий уровень заряда

### ПРИМЕЧАНИЕ

- Когда активируется предупреждение о критическом уровне заряда аккумулятора и дрон автоматически снижается, направьте двойстик тяги от себя, чтобы сохранить высоту дрона и перевести его в более подходящее место для посадки.
- При срабатывании предупреждений о состоянии аккумулятора немедленно переместите дрон в домашнюю точку или приземлитесь, чтобы избежать потери питания во время полета и нанесения ущерба дрону, имуществу, животным и людям.

## D-RTK 2

### ПРИМЕЧАНИЕ

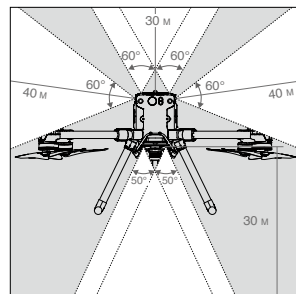
- Используйте только оригинальные или сертифицированные запчасти DJI. Запчасти сторонних и не сертифицированных компаний DJI производителей могут вызвать неисправности системы и угрозу безопасности.
- Используйте устройство на открытой местности в среде без радиопомех.
- НЕ закрывайте антенны D-RTK 2.

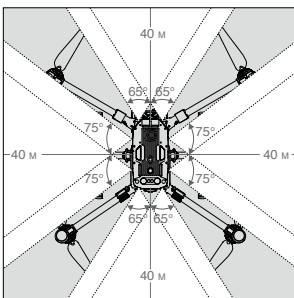
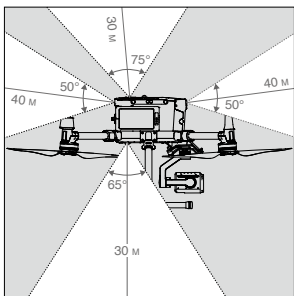
## Система обзора и система инфракрасных датчиков

### ПРИМЕЧАНИЕ

- Система обзора будет работать должным образом на высоте до 30 метров над поверхностями с четкими контурами. Система обзора не может работать, когда дрон летит быстро на высоте менее 0,5 метра.
- Система обзора HE будет работать должным образом, если дрон летит над водой. HE полагается только на систему обзора и управляйте дроном осторожно.
- Система обзора HE может работать должным образом в следующих ситуациях.

- При полете над одноцветной поверхностью (например, над поверхностью чисто черного, белого, красного или чисто зеленого цвета) или без четких контуров.
  - При полете над поверхностями с высокими отражающими свойствами.
  - При полете над водой или прозрачными поверхностями.
  - Полеты над движущимися поверхностями или объектами (например, над движущимися людьми, расквашивающимися тростниками, кустами и травой).
  - Полеты в зонах с частым или резким изменением освещения или в зонах с прямым ярким освещением.
  - При полете над очень темными (< 15 люкс) или очень яркими (> 10 000 люкс) поверхностями.
  - Полеты на высоких скоростях (более 14 м/с на расстояние 2 м или более 5 м/с на расстояние 1 м).
  - Крошечные препятствия.
  - Объектив загрязнен (например, каплями дождя, отпечатками пальцев и т. п.).
  - Условия ограниченной видимости (например, густой туман).
4. Система инфракрасных датчиков HE обеспечивает точное расстояние в следующих ситуациях:
- Полет над поверхностями, которые могут поглощать звуковые волны (например, чисто черные матовые объекты).
  - На расстоянии более 15 м имеется обширная зона сильных отражателей (например, несколько дорожных знаков, расположенных рядом друг с другом).
  - Крошечные препятствия
  - Зеркальные или прозрачные объекты (например, зеркала, вода и стекло).
5. Калибровка системы обзора необходима в случае падения дрона. Откалибруйте систему обзора, если приложение DJI Pilot предложит вам сделать это.
6. Избегайте полетов в дождливую и туманную погоду или в места с плохой видимостью (видимость ниже 100 м).
7. Всегда следите за чистотой датчиков системы обзора и системы инфракрасных датчиков.
- Удалите пленку, наклейки и другие препятствия с поверхности.
  - При наличии капель воды, отпечатков пальцев, грязи и др. сначала тщательно сотрите их (используйте чистую ткань, а не органические растворители, такие как спирт).
  - Если стеклянная поверхность упала, разбилась, поцарапалась, износилась и т. д., свяжитесь с отделом послепродажного обслуживания или местным представителем DJI.
8. НЕ вешайте и не размещайте никакие предметы в местах, которые могут препятствовать работе системы обзора и системы инфракрасных датчиков, а также дальности их действия.
9. Не затрудняйте работу системы обзора и системы инфракрасных датчиков (например, не используйте мощный источник света для освещения системы обзора или зеркальные отражатели в направлении инфракрасного датчика), и убедитесь, что матрица датчика чистая, без пятен.
10. Система обзора и система инфракрасных датчиков не способна тормозить и останавливать дрон на безопасном расстоянии от препятствия, если угол наклона дрона превышает 25 градусов или его скорость превышает 17 м/с.
11. Помните о слепых зонах (серый цвет) системы обзора и системы инфракрасных датчиков. Дальность наблюдения инфракрасного датчика составляет 8 м.





## Соответствие нормативно-правовым актам и зонам GEO

### Нормативно-правовые акты

#### **⚠ ПРЕДУПРЕЖДЕНИЕ**

Соблюдение следующих правил поможет вам избежать некорректного поведения дрона, серьезных травм и причинения ущерба имуществу:

1. НЕ выполняйте полеты в непосредственной близости от других летательных аппаратов независимо от высоты. (При необходимости произведите посадку немедленно.)
2. НЕ выполняйте полеты дрона в местах, где проводятся масштабные мероприятия, в том числе спортивные мероприятия и концерты.
3. НЕ выполняйте полеты летательного аппарата в зонах, запрещенных местным законодательством.
4. НЕ взлетайте на высоту выше разрешенной. Держитесь на расстоянии и НЕ мешайте пилотируемым летательным аппаратам. Всегда держите другие летательные аппараты и препятствия в зоне видимости и облетайте их.

#### **⚠ ПРЕДОСТЕРЕЖЕНИЕ**

Соблюдение следующих правил поможет вам избежать серьезных травм и причинения ущерба имуществу:

1. НЕ допускайте полета летательного аппарата в непосредственной близости и в пределах зон GEO, определенных местным законодательством и нормативно-правовыми актами. Список зон GEO включает в себя аэропорты, границы между двумя суверенными государствами или регионами, крупные города/регионы и т. д. Этот список постоянно обновляется.
2. НЕ взлетайте на высоту выше разрешенной.
3. ВСЕГДА держите ваш дрон в поле зрения (VLOS), воспользуйтесь помощью наблюдателя в случае необходимости.
4. НИКОГДА не используйте дрон для перевозки незаконных или опасных грузов/полезной нагрузки.

#### **ℹ ПРИМЕЧАНИЕ**

1. Убедитесь, что вы понимаете характер/тип вашего полета

(например, для отдыха, для общественного пользования или для коммерческого использования) и получили одобрение и разрешение от соответствующих государственных учреждений перед полетом. Проконсультируйтесь с местными регулирующими органами для получения исчерпывающих определений и конкретных требований. Пользователям дронов в Соединенных Штатах рекомендуется посетить сайт <http://www.knowbeforeyoufly.org/> и принять меры, соответствующие обстоятельствам.

2. Обратите внимание, что в определенных странах и регионах может быть запрещена коммерческая деятельность с использованием дронов с дистанционным управлением. Найдите информацию о всех применимых законах и постановлениях и соблюдайте их. Они могут отличаться от указанных здесь положений.
3. НЕ осуществляйте полеты вокруг объектов инфраструктуры особой государственной важности или объектов собственности, таких как электростанции, водоочистные сооружения, исправительные учреждения, проезжие части с интенсивным движением, государственные учреждения, военные зоны и т. д.
4. При использовании камеры соблюдайте личное пространство других людей. НЕ производите таких видов наблюдения как фотосъемка, видеозапись людей, объектов, событий, выступлений, выставок и собственности без разрешения или там, где возможно нарушение личного пространства, даже если снятые изображения или видео предназначены для личного пользования.
5. Обращаем ваше внимание на то, что в определенных областях запись изображений и видеороликов с мероприятий, представлений, выставок или коммерческих объектов с помощью камеры может противоречить авторским или другим законным правам, даже если изображение или видео было снято для личного использования.

### Полетные ограничения

#### **ℹ ПРИМЕЧАНИЕ**

Компания DJI всегда уделяет особое внимание безопасности полетов и разработала для этой цели разнообразие видов поддержки пользователей. Эти средства не гарантируют соблюдение всех действующих законов, норм и временных ограничений полета. Вы несете полную ответственность за свое поведение во время управления летательным аппаратом DJI.

Рекомендуется установить последнюю версию программного обеспечения, чтобы обновить следующую информацию:

#### Зоны GEO

1. Все зоны GEO перечислены на официальном сайте компании DJI <http://www.dji.com/flysafe>. Зоны GEO подразделяются на разные категории и включают такие места как аэропорты, аэродромы, где пилотируемые летательные аппараты работают на малых высотах, границы между странами, такие стратегически важные объекты, как электростанции, а также места проведения массовых мероприятий.
2. Ограничения полета зависят от зоны. В зависимости от ограничений зоны в приложении DJI Pilot могут появляться предупреждения. Также может быть запрещен взлет, ограничена высота полета, либо летательный аппарат может автоматически выполнять определенные маневры, например, посадку.
3. Работа отдельных функций, связанных с полетом, также будет меняться в зависимости от того, находится ли летательный аппарат в зоне GEO или за ее пределами. Данные изменения могут включать снижение скорости дрона, невозможность создания маршрута и прерывание выполнения полетного задания.
4. Полеты в условиях ограничений зон GEO не гарантируют соответствия всем применимым законам, нормативным требованиям и временным полетным ограничениям. Проконсультируйтесь с юристом или представителями местных органов управления, чтобы обеспечить соблюдение соответствующих требований.

#### Ограничение высоты

1. Выполняйте полет на высоте НЕ более 120 м над уровнем земли и не приближайтесь к какому-либо препятствию. Максимальная разрешенная высота полета может быть ниже этого значения в зависимости от местного законодательства. Строго следуйте всем применимым законам.
2. Если вы намереваетесь выполнять полет выше установленного по умолчанию ограничения высоты, вы должны согласиться с отказом от ответственности, чтобы задать новое ограничение высоты.

## Compliance Information

### FCC Compliance Notice

This device complies with Part 15 of the FCC Rules. Operation is subject to the following two conditions: (1) This device may not cause harmful interference, and (2) This device must accept any interference received, including interference that may cause undesired operation.

Any changes or modifications not expressly approved by the party responsible for compliance could void the user's authority to operate the equipment.

This equipment has been tested and found to comply with the limits for a Class B digital device, pursuant to part 15 of the FCC Rules. These limits are designed to provide reasonable protection against harmful interference in a residential installation. This equipment generates, uses and can radiate radio frequency energy and, if not installed and used in accordance with the instructions, may cause harmful interference to radio communications. However, there is no guarantee that interference will not occur in a particular installation. If this equipment does cause harmful interference to radio or television reception, which can be determined by turning the equipment off and on, the user is encouraged to try to correct the interference by one or more of the following measures:

- Reorient or relocate the receiving antenna.
- Increase the separation between the equipment and receiver.
- Connect the equipment into an outlet on a circuit different from that which the receiver is connected.
- Consult the dealer or an experienced radio/TV technician for help.

### RF Exposure Information

The aircraft complies with FCC radiation exposure limits set forth for an uncontrolled environment. In order to avoid the possibility of exceeding the FCC radio frequency exposure limits, human proximity to the antenna shall not be less than 20cm during normal operation. This transmitter must not be co-located or operating in conjunction with any other antenna or transmitter.

This equipment complies with FCC radiation exposure limits set forth for an uncontrolled environment. End user must follow the specific operating instructions for satisfying RF exposure compliance. This transmitter must not be co-located or operating in conjunction with any other antenna or transmitter.

The portable device is designed to meet the requirements for exposure to radio waves established by the Federal Communications Commission (USA). These requirements set a SAR limit of 1.6 W/kg averaged over one gram of tissue. The highest SAR value reported under this standard during product certification for use when properly worn on the body.

### ISED Compliance Notice

This device contains licence-exempt transmitter(s)/receiver(s) that comply with Innovation, Science and Economic Development Canada's licence-exempt RSS(s). Operation is subject to the following two conditions: (1) This device may not cause interference.(2) This device must accept any interference, including interference that may cause undesired operation of the device.

L'émetteur/récepteur exempt de licence contenu dans le présent appareil est conforme aux CNR d'Innovation, Sciences et Développement économique Canada applicables aux appareils radio exempts de licence. L'exploitation est autorisée aux deux conditions suivantes: (1) L'appareil ne doit pas produire de brouillage; (2) L'appareil doit accepter tout brouillage radioélectrique subi, même si le brouillage est susceptible d'en compromettre le fonctionnement.

This equipment complies with RSS-102 radiation exposure limits set forth for an uncontrolled environment. This equipment should be installed and operated with minimum distance 20cm between the radiator and your body. This transmitter must not be co-located or operating in conjunction with any other antenna or transmitter.

Cet équipement est conforme aux limites d'exposition aux radiations CNR-102 établies pour un environnement non contrôlé. Cet équipement doit être installé et utilisé avec une distance minimale de 20 cm entre le radiateur et votre corps.

This equipment complies with ISED radiation exposure limits set forth for an uncontrolled environment. End user must follow the specific operating instructions for satisfying RF exposure compliance. This transmitter must not be co-located or operating in conjunction with any other antenna or transmitter. The portable device is designed to meet the requirements for exposure to radio waves established by the ISED.

Cet équipement est conforme aux limites d'exposition aux rayonnements ISED établies pour un environnement non contrôlé. L'utilisateur final doit suivre les instructions spécifiques pour satisfaire les normes. Cet émetteur ne doit pas être co-implanté ou fonctionner en conjonction avec toute autre antenne ou transmetteur. Le dispositif portatif est conçu pour répondre aux exigences d'exposition aux ondes radio établie par le développement énergétique DURABLE.

These requirements set a SAR limit of 1.6 W/kg averaged over one gram of tissue. The highest SAR value reported under this standard during product certification for use when properly worn on the body.

Ces exigences un SAR limite de 1.6 W/kg en moyenne pour un gramme de tissu. La valeur SAR la plus élevée signalée en vertu de cette norme lors de la certification de produit à utiliser lorsqu'il est correctement porté sur le corps.

部件名称	有害物质					
	铅 (Pb)	汞 (Hg)	镉 (Cd)	六价铬 (Cr <sup>VI</sup> )	多溴联苯 (PBB)	多溴二苯醚 (PBDE)
线路板	×	○	○	○	○	○
外壳	×	○	○	○	○	○
金属部件 (铜合金)	×	○	○	○	○	○
内部线材	×	○	○	○	○	○
其他配件	×	○	○	○	○	○

本表格依据 SJ/T 11364 的规定编制。

○：表示该有害物质在该部件所有均质材料中的含量均在 GB/T 26572 规定的限量要求以下。

×：表示该有害物质至少在该部件的某一均质材料中的含量超出 GB/T 26572 规定的限量要求。(产品符合欧盟 RoHS 指令环保要求)



### KCC Compliance Notice

해당 무선설비의 운용 중 전파발생 가능성이 있으므로 인명안전과 관련된 서비스는 할 수 없습니다. \* 해당 무선설비는 운용 중 전파발생 가능성이 있음

### NCC Compliance Notice

取得審驗證明之低功率射頻器材，非經核准，公司、商號或使用者均不得擅自變更頻率、加大功率或變更原設計之特性及功能。低功率射頻器材之使用不得影響飛航安全及干擾合法通信；經發現有干擾現象時，應立即停用，並改善至無干擾時方得繼續使用。前述合法通信，指依電信管理法規訂作業之無線電通信。低功率射頻器材須符合合法通信或工業、科學及醫療用電波輻射性電機設備之干擾。

應避免影響附近雷達系統之操作。

高增益指向性天線只待應用於固定式指對點系統。



**EU Compliance Statement:** SZ DJI TECHNOLOGY CO., LTD. hereby declares that this device is in compliance with the essential requirements and other relevant provisions of the Directive 2014/53/EU.

A copy of the EU Declaration of Conformity is available online at [www.dji.com/euro-compliance](http://www.dji.com/euro-compliance)

EU contact address: DJI GmbH, Industriestrasse 12, 97618, Niederlauer, Germany

**GB Compliance Statement:** SZ DJI TECHNOLOGY CO., LTD. hereby declares that this device is in compliance with the essential requirements and other relevant provisions of Radio Equipment Regulations 2017.

A copy of the GB Declaration of Conformity is available online at [www.dji.com/euro-compliance](http://www.dji.com/euro-compliance)

**Declaración de cumplimiento UE:** SZ DJI TECHNOLOGY CO., LTD. por la presente declara que este dispositivo cumple los requisitos básicos y el resto de provisiones relevantes de la Directiva 2014/53/EU.

Hay disponible online una copia de la Declaración de conformidad UE en [www.dji.com/euro-compliance](http://www.dji.com/euro-compliance)

Dirección de contacto de la UE: DJI GmbH, Industriestrasse 12, 97618, Niederlauer, Germany

**EU-verklaring van overeenstemming:** SZ DJI TECHNOLOGY CO., LTD. verklaart hierbij dat dit apparaat voldoet aan de essentiële vereisten en andere relevante bepalingen van Richtlijn 2014/53/EU.

De EU-verklaring van overeenstemming is online beschikbaar op [www.dji.com/euro-compliance](http://www.dji.com/euro-compliance)

Contactadres EU: DJI GmbH, Industriestrasse 12, 97618, Niederlauer, Germany

**Declaração de conformidade da UE:** A SZ DJI TECHNOLOGY CO., LTD. declara, através deste documento, que este dispositivo está em conformidade com os requisitos essenciais e outras disposições relevantes da Diretiva 2014/53/EU.

Existe uma cópia da Declaração de conformidade da UE disponível online em [www.dji.com/euro-compliance](http://www.dji.com/euro-compliance)

Endereço de contacto na UE: DJI GmbH, Industriestrasse 12, 97618, Niederlauer, Germany

**Dichiarazione di conformità UE:** SZ DJI TECHNOLOGY CO., LTD. dichiara che il presente dispositivo è conforme ai requisiti essenziali e alle altre disposizioni rilevanti della direttiva 2014/53/EU.

Una copia della dichiarazione di conformità UE è disponibile online all'indirizzo [www.dji.com/euro-compliance](http://www.dji.com/euro-compliance)

Indirizzo di contatto UE: DJI GmbH, Industriestrasse 12, 97618, Niederlauer, Germany

**Déclaration de conformité UE :** Par la présente, SZ DJI TECHNOLOGY CO., LTD déclare que cet appareil est conforme aux principales exigences et autres clauses pertinentes de la directive européenne 2014/53/EU.

Une copie de la déclaration de conformité UE est disponible sur le site [www.dji.com/euro-compliance](http://www.dji.com/euro-compliance)

Adresse de contact pour l'UE : DJI GmbH, Industriestrasse 12, 97618, Niederlauer, Germany



## PRÉCAUTIONS D'USAGE DE L'APPAREIL

N'utilisez pas l'appareil dans un hôpital, un avion ou un équipement automobile en raison des radiofréquences qui peuvent provoquer des interférences

- Maintenez une distance minimale de 15 cm entre votre appareil et un stimulateur cardiaque pour éviter toute interférence
- Eloigner les équipements radioléctriques du ventre des femmes enceintes.  
Eloigner les équipements radioléctriques du bas-ventre des adolescents.

Le débit d'absorption spécifique (DAS) local quantifie l'exposition de l'utilisateur aux ondes électromagnétiques de l'équipement concerné. Le DAS maximal autorisé est de 2 W/kg pour la tête et le tronc et de 4 W/kg pour les membres. La ou les valeurs du débit d'absorption spécifique des RM500-ENT;  
DAS tronc: 0,085 W/kg  
DAS membres: 0,085 W/kg

**EU-Compliance:** Hiermit erklärt SZ DJI TECHNOLOGY CO., LTD., dass dieses Gerät den wesentlichen Anforderungen und anderen einschlägigen Bestimmungen der EU-Richtlinie 2014/53/EU entspricht.  
Eine Kopie der EU-Konformitätserklärung finden Sie online auf [www.dji.com/euro-compliance](http://www.dji.com/euro-compliance)  
Kontaktadresse innerhalb der EU: DJI GmbH, Industriestrasse 12, 97618, Niederlauer, Germany

**Декларация за съответствие на ЕС:** SZ DJI TECHNOLOGY CO., LTD. декларира, че това устройство отговаря на основните изисквания и другите приложими разпоредби на Директива 2014/53/ЕС.  
Копие от Декларацията за съответствие на ЕС ще намерите онлайн на адрес [www.dji.com/euro-compliance](http://www.dji.com/euro-compliance)  
Адрес за контакт за ЕС: DJI GmbH, Industriestrasse 12, 97618, Niederlauer, Германия

**Prohlášení o shodě pro EU:** Společnost SZ DJI TECHNOLOGY CO., LTD. tímto prohlašuje, že tohle zařízení vyhovuje základním požadavkům a dalším příslušným ustanovením směrnice 2014/53/EU.  
Kopie prohlášení o shodě pro EU je k dispozici on-line na webu [www.dji.com/euro-compliance](http://www.dji.com/euro-compliance)  
Kontaktní adresa v EU: DJI GmbH, Industriestrasse 12, 97618, Niederlauer, Německo

**EU-oversenstemmelseerklæring:** SZ DJI TECHNOLOGY CO., LTD. erklærer hermed, at denne enhed er i overensstemmelse med de væsentlige krav og andre relevante bestemmelser i direktiv 2014/53/EU.  
Der er en kopi af EU-oversenstemmelseerklæringen tilgængelig online på [www.dji.com/euro-compliance](http://www.dji.com/euro-compliance)  
EU-kontaktadresse: DJI GmbH, Industriestrasse 12, 97618, Niederlauer, Tyskland

**Δήλωση Συμμόρφωσης ΕΕ:** Η SZ DJI TECHNOLOGY CO., LTD. δια του παρόντος δηλώνει ότι η συσκευή αυτή συμμορφώνεται με τις βασικές απαιτήσεις και άλλες σχετικές διατάξεις της Οδηγίας 2014/53/ΕΕ.  
Αντίγραφο της Δήλωσης Συμμόρφωσης ΕΕ διατίθεται ηλεκτρονικά στη διεύθυνση [www.dji.com/euro-compliance](http://www.dji.com/euro-compliance)  
Διεύθυνση επικοινωνίας στην ΕΕ: DJI GmbH, Industriestrasse 12, 97618, Niederlauer, Γερμανία

**ELI vastavuskinditus** Käesolevaga teatatakse SZ DJI TECHNOLOGY CO., LTD., et see seade on kooskõlas direktiivi 2014/53/EU olulistele nõuete ja muude asjakohaste sätelega.  
ELI vastavusdeklaratsiooni koopia on kättesaadav veebis aadressil [www.dji.com/euro-compliance](http://www.dji.com/euro-compliance)  
Kontaktadress ELis: DJI GmbH, Industriestrasse 12, 97618, Niederlauer, Saksamaa

**Pranešimas dėl atitikties ES** reikalavimams Bendrovė „SZ DJI TECHNOLOGY CO., LTD.“ tvirtina, kad šis prietaisas atitinka pagrindinius 2014/53/ES direktyvos reikalavimus ir kitas susijusias nuostatas.  
ES atitikties deklaracijos kopija gali rasti adresu [www.dji.com/euro-compliance](http://www.dji.com/euro-compliance)  
ES kontaktinis adresas: „DJI GmbH“, Industriestrasse 12, 97618, Niederlauer, Germany (Vokietija)

**ES atbilstības paziņojums:** SZ DJI TECHNOLOGY CO., LTD. ar šo apliecin, ka šis ierīce atbilst direktīvas 2014/53/ES pamatprasībām un pārējām būtiskiem nosacījumiem.  
ES atbilstības deklarācijas kopija pieejama tiešsaistē vietnē [www.dji.com/euro-compliance](http://www.dji.com/euro-compliance)  
ES kontaktadrese: DJI GmbH, Industriestrasse 12, 97618, Niederlauer, Vācija

**EU:n vaatimustenmukaisuusvaakutus:** SZ DJI TECHNOLOGY CO., LTD. ilmoittaa täten, että tämä laite on direktiivin 2014/53/EU olennaisien vaatimusten ja sen muiden asiaankuuluvien ehtojen mukainen.  
Kopio EU:n vaatimustenmukaisuusvaakutuksesta on saatavana verkossa osoitteessa [www.dji.com/euro-compliance](http://www.dji.com/euro-compliance)  
Yhteyshenkilö EU:ssa: DJI GmbH, Industriestrasse 12, 97618, Niederlauer, Germany

**RAÍTEAS Comhlíonta an AE:** Dearbhaíonn SZ DJI TECHNOLOGY CO., LTD. leis seo go bhfuil an gléas seo de réir na gceanglas riachtanach agus na bhforálacha ábhartha eile sa Teoir 2014/53/AE.  
Tá cóip de Dhearbháil Comhlíonta an AE ar fáil ar líne ag [www.dji.com/euro-compliance](http://www.dji.com/euro-compliance)  
Seoldáir teagháilna san AE: DJI GmbH, Industriestrasse 12, 97618, Niederlauer, Germany

**Dikjarazzjoni ta' Konformità tal-UE:** SZ DJI TECHNOLOGY CO., LTD. hawnhekk tidjikkara li dñi l-apparat huwa konformi mar-reqwiziti essenzjali u ma' dispozizzjonijiet rilevanti oħra ta' Direttiva 2014/53/UE.  
Kopja ta' -Dikjarazzjoni ta' Konformità tal-UE hija disponibbli onlajn fis-sit [www.dji.com/euro-compliance](http://www.dji.com/euro-compliance)

Inkrizz ta' kuntatt tal-UE: DJI GmbH, Industriestrasse 12, 97618, Niederlauer, i-Germanja

**Declaratija UE de conformitate:** Prin prezenta, SZ DJI TECHNOLOGY CO., LTD. declaram faptul că acest dispozitiv este conform cu cerințele esențiale și celelalte prevederi relevante ale Directivei 2014/53/UE.  
Un exemplar al Declarației UE de conformitate este disponibil online, la adresa [www.dji.com/euro-compliance](http://www.dji.com/euro-compliance)  
Adresa de contact pentru UE: DJI GmbH, Industriestrasse 12, 97618, Niederlauer, Germania

**Izjava EU o skladnosti:** Družba SZ DJI TECHNOLOGY CO., LTD. izjavlja, da ta naprava ustreza osnovnim zahtevam in drugim ustreznim določbam Direktive 2014/53/EU.  
Kopija izjave EU o skladnosti je na voljo na spletni na [www.dji.com/euro-compliance](http://www.dji.com/euro-compliance)  
Kontaktni naslov EU: DJI GmbH, Industriestrasse 12, 97618, Niederlauer, Nemčija

**EU Izjava o skladnosti:** Tvrtka SZ DJI TECHNOLOGY CO., LTD. izjavjuje da je ovaj uređaj izraden u skladu s osnovnim zahtjevima i ostalim relevantnim odredbama Direktive 2014/53/EU.  
Kopija EU Izjave o skladnosti dostupna je na mrežnoj stranici [www.dji.com/euro-compliance](http://www.dji.com/euro-compliance)  
Adresa EU kontakta: DJI GmbH, Industriestrasse 12, 97618, Niederlauer, Njemačka

**Vyhlasenie o zhode EU:** SZ DJI TECHNOLOGY CO., LTD. týmto vyhlasuje, že toto zaradenie je v zhode so základnými požiadavkami a ďalšími relevantnými ustanoveniami smernice 2014/53/EU.  
Kópia tohto Vyhlasenia o zhode EÚ je k dispozícii online na [www.dji.com/euro-compliance](http://www.dji.com/euro-compliance)  
Kontaktná adresa v EÚ: DJI GmbH, Industriestrasse 12, 97618, Niederlauer, Nemecko

**Deklaracija zgodnosti UE:** Firma SZ DJI TECHNOLOGY CO., LTD. niniejszym oświadcza, że przedmiotowe urządzenie jest zgodne z zasadniczymi wymogami i innymi stosownymi postanowieniami dyrektywy 2014/53/UE.  
Kopie deklaracji zgodności UE można znaleźć w Internecie na stronie [www.dji.com/euro-compliance](http://www.dji.com/euro-compliance)  
Adres do kontaktu w UE: DJI GmbH, Industriestrasse 12, 97618, Niederlauer, Niemcy

**EU megfelelősi nyilatkozat:** A SZ DJI TECHNOLOGY CO., LTD. ezúton megerősíti, hogy ez az eszköz megfelel a 2014/53/EU irányelv alapvető követelményeinek és más vonatkozó rendelkezésének.  
Az EU megfelelősi nyilatkozat másolata elérhető a [www.dji.com/euro-compliance](http://www.dji.com/euro-compliance) oldalon  
EU kapcsolati cím: DJI GmbH, Industriestrasse 12, 97618, Niederlauer, Németország


**EU-försäkran om efterlevnad:** SZ DJI TECHNOLOGY CO., LTD. härmed förklarar att denna enhet uppfyller de väsentliga kraven och andra relevanta bestämmelser i direktivet 2014/53/EU.  
En kopia av EU-försäkran om efterlevnad finns att tillgå online på adressen [www.dji.com/euro-compliance](http://www.dji.com/euro-compliance)  
Kontaktadress EU: DJI GmbH, Industriestrasse 12, 97618, Niederlauer, Tyskland

**Yfirfýsing um fylgni við reglugerð ESB:** SZ DJI TECHNOLOGY CO., LTD. lýsir hér með yfir að þetta tæki hliði mikilvægum kröfum og öðrum viðeigandi ákvæðum tilskipunar 2014/53/ESB.  
Nálágast má einfak af ESB-samræmisyfýringsunni á netinu á [www.dji.com/euro-compliance](http://www.dji.com/euro-compliance)  
Heimilisfang ESB-tengilið: DJI GmbH, Industriestrasse 12, 97618, Niederlauer, Germany

**AB Uygunluk Beyanı:** SZ DJI TECHNOLOGY CO., LTD. bu belge ile bu cihazın temel gerekliliklere ve 2014/53/UE sayılı Direktifin diğer ilgili hükümlerine uygun olduğunu beyan eder.  
AB Uygunluk Beyanının bir kopyasını [www.dji.com/euro-compliance](http://www.dji.com/euro-compliance) adresinden çevrim içi olarak ulaşabilirsiniz.  
AB için iletişim adresi: DJI GmbH, Industriestrasse 12, 97618, Niederlauer, Almanya

**CAUTION: RISK OF EXPLOSION IF BATTERY IS REPLACED BY AN INCORRECT TYPE. DISPOSE OF USED BATTERIES ACCORDING TO THE INSTRUCTIONS**

## Environmentally friendly disposal

 Old electrical appliances must not be disposed of together with the residual waste, but have to be disposed of separately. The disposal at the communal collecting point via private persons is for free. The owner of old appliances is responsible for bringing the appliances to these collecting points or to similar collection points. With this little personal effort, you contribute to recycle valuable raw materials and the treatment of toxic substances.

## Umweltfreundliche Entsorgung

Elektro-Algeräte dürfen nicht mit gewöhnlichem Abfall entsorgt werden und müssen separat entsorgt werden. Die Entsorgung an kommunalen Sammelstellen ist für Privatpersonen kostenlos. Die Eigentümer der Algeräte sind für den Transport zu den Sammelstellen verantwortlich. Durch diesen geringen Aufwand können Sie zur Wiederverwertung von wertvollen Rohmaterialien beitragen und dafür sorgen, dass umweltschädliche und giftige Substanzen ordnungsgemäß unschädlich gemacht werden.

### Tratamiento de residuos responsable con el medio ambiente

Los aparatos eléctricos viejos no pueden desecharse junto con los residuos orgánicos, sino que deben ser desechados por separado. Existen puntos limpios donde los ciudadanos pueden dejar estos aparatos gratis. El propietario de los aparatos viejos es responsable de llevarlos a estos puntos limpios o similares puntos de recogida. Con este pequeño esfuerzo estás contribuyendo a reciclar valiosas materias primas y al tratamiento de residuos tóxicos.

### Mise au rebut électrique

Les appareils électriques usagés ne doivent pas être éliminés avec les déchets résiduels. Ils doivent être éliminés séparément. La mise au rebut au point de collecte municipal par l'intermédiaire de particuliers est gratuite. Il incombe au propriétaire des appareils usagés de les apporter à ces points de collecte ou à des points de collecte similaires. Avec ce petit effort personnel, vous contribuez au recyclage de matières premières précieuses et au traitement des substances toxiques.

### Smaltimento ecologico

I vecchi dispositivi elettrici non devono essere smaltiti insieme ai rifiuti residui, ma devono essere smaltiti separatamente. Lo smaltimento da parte di soggetti privati presso i punti di raccolta pubblici è gratis. È responsabilità del proprietario dei vecchi dispositivi portarli presso tali punti di raccolta o punti di raccolta analoghi. Grazie a questo piccolo impegno personale contribuirai al riciclo di materie prime preziose e al corretto trattamento di sostanze tossiche.

### Mileuevriendelijke afvoeren

Oude elektrische apparaten mogen niet worden weggegooid samen met het restafval, maar moeten afzonderlijk worden afgevoerd. Afvoeren via het gemeentelijke inzameelpunt is gratis voor particulieren. De eigenaar van oude toestellen is verantwoordelijk voor het inleveren van die apparaten op deze of vergelijkbare inzameelpunten. Met deze kleine persoonlijke inspanning lever je een bijdrage aan de recycling van waardevolle grondstoffen en de verwerking van giftige stoffen.

### Eliminação ecológica

Os aparelhos elétricos antigos não podem ser eliminados juntamente com os materiais residuais. Têm de ser eliminados separadamente. A eliminação no ponto de recolha público através de entidades particulares é gratuita. É da responsabilidade do proprietário de aparelhos antigos levá-los a estes pontos de recolha ou a pontos de recolha semelhantes. Com este pequeno esforço pessoal, contribui para a reciclagem de matérias-primas úteis e para o tratamento de substâncias tóxicas.

### Исхвърляне с оглед опазване на околната среда

Старите електрически уреди не трябва да се изхвърлят заедно с битовите отпадъци, а отделно. Исхвърлянето в общинския пункт за събиране на отпадъци, от частни лица е безплатно. Собственикът на старите уреди е отговорен за пренасянето на уредите до тези или до подобни събирателни пунктове. С това малко собствено усилие допринасяте за рециклирането на ценни суровини и за обработката на токсични вещества.

### Ekologicky šetrná likvidace

Stará elektrická zařízení nesmějí být likvidována spolu se zbytkovým odpadem, ale musí být likvidována samostatně. Likvidace na komunálních sbíratelých místech prostřednictvím soukromých osob je bezplatná. Vlastník starých zařízení odpovídá za to, že je donese do těchto sbíratelých míst nebo na obdobná sbíratelá místa. Tímto můžete přispět k recyklaci hodnotných surovin a zpracování toxických látek.

### Miljøvennlig bortskaffelse

Gamle elektriske apparater må ikke bortskaffes sammen med restaffald, men skal bortskaffes separat. Bortskaffelse på et fælles indsamlingssted er gratis for privatpersoner. Ejere af gamle apparater er ansvarlige for at bringe apparater hen til disse indsamlingssteder eller til lignende indsamlingssteder. Med denne lille personlige indsats bidrager du til genanvendelse af værdifulde råvarer og behandlingen af giftige stoffer.

### Απορριψη φιλικη προς το περιβαλλον

Οι παλιές ηλεκτρικές συσκευές δεν πρέπει να απορριπτόνται μαζί με τα υπολειμματικά απόβλητα, αλλά ξεχωριστά. Η απορριψη στο δημοτικό σημείο συλλογής μόνον ιδιωτών γίνεται χωρίς χρέωση. Ο κάτοχος παλιών συσκευών είναι υπεύθυνος για τη μεταφορά των συσκευών σε αυτό ή παρόμοια σημεία συλλογής. Μέσω της στοιχειώδους προσπάθειάς σου, συμβάλλεις στην ανακύκλιση πολύτιμων πρώτων υλών και τη επεξεργασία των τοξικών υαυσίων.

### Keskonnasäästlik kasutusel kõvaldamine

Vana elektriseadmeti ei tõi ära visata koos ülejäänudmettega, vaid tuleb koguda ja kasutusel kõvaldamise eraldi. Kohaliku omavalitsuse elektrikonarimukohas punktis on ärandamine erakolite tasuta. Väande seadmete sellistesse või samastesse kogumispunktidesse toimetamine eest vastutavad seadmete omanikud. Selle väikesse isikliku panusega aitate kaasa väärtusliku toorme ringlusevõtule ja mürgiste ainete töötlemisele.

### Utilizazimas nenekiant alinate

Seny būtinai prietaisų negalima išmesti kartu su buitiniams atliekoms; juos būtina užtikulti atskirai. Tokių prietaisų utilizavimas per komunalinius atliekų surinkimo punktus yra nemokamas. Elektrinių prietaisų savininkai utilizuojami prietaisų privalo priūduti į atitinkamus arba analogiškus atliekų surinkimo punktus. Tokiu būdu, įdedami nedaug pastangų, prisidėsite prie vertingų medžiagų perdavimo ir aplinkos apsaugojimo nuo toksišnių medžiagų.

### Vēdi draudzīga atkritumu likvidāšana

Vēdas elektriskās ierīces nedrīkst likvidēt kopā ar pārējiem atkritumiem, bet tās jālikvidē atsevišķi. Privātpersonām atkritumu likvidāšana komunālajā savākšanas punktā ir bez maksas. Vēcu ierīču īpašnieki ir atbildīgi par ierīču nogādāšanu šajos savākšanas punktos vai līdzīgos savākšanas punktos. Ar šīm nelielām

personiskajām pūlēm jūs veicināt vērtīgu izemateriālu pārstrādi un toksisko vielu apstrādi.

### Hävitäminen ympäristövastallisesti

Vanhoja sähkölaitteita ei saa hävittää kaatopaikkajätteen mukana, vaan ne on hävitettävä erikseen. Kunnallisessa keräyspisteeseen vieminen on yksityishenkilöille ilmaista. Vanhojen laitteiden omistaja vastaa laitteiden toimittamisesta kysäisiin keräyspisteisiin tai vastaaviin. Tällä vähäisellä henkilökohtaisella vaivalla edistät omalta osaltasi arvokkaiden raaka-aineden kiertäystä ja myrkyllisten aineiden käsittelyä.

### Diúscairt neamhíobháilach don chomhshao

Ní chosr seangáláasana leictheacha a dhéanfaid leis an dramháil lamharach, ach caithfeadh iad a chur de lámh suas féin. Tá an diúscairt ag an ionad bailiúcháin pobal ag daoine príobháideacha saor in aisce. Tá feachtach ar úinéir seangáláasana na géalsána a thabhairt chuig na hionaid bailiúcháin sin nó chuig ionad bailiúcháin den chineál céanna. Le hiarraib beag phearsanta mar sin, cuidíonn tú le hámháthair luachmhara a athchúrsáil agus le substaintí tocsaineacha a chóireáil

### Rimi li jirispetta l-ambent

L-apparat elettrikin qadim ma għandux jintrema flimkien ma' skart residw, iżda għandux jintrema b'mo' separar. Ir-rimi fil-post tal-għir komunali minn persni privati huwa b'xejn. Is-sit ta' apparat qadim tal-għir huwa responsabli biex iġi l-apparat f'dawn il-postijiet tal-għir jew f'postijiet tal-għir simili. B'dan l-isforz personali żgħir, inti tiktribwvixi għar-rikkieq ta' materja prima preżjużza u għat-trattament ta' sustanzi tossi.

### Eliminarea ecologică

Aparatel electrice vechi nu trebuie aruncate odată cu deeurile reziduale, ci trebuie eliminate separat. Eliminarea în cadrul punctului de colectare local de către persoane fizice este gratuită. Proprietarii de aparate vechi sunt responsabili pentru transportul acestora la respectivele puncte de colectare sau la alte puncte de colectare similare. Prin acest efort personal nesemnificativ, puteți contribui la reciclarea materiilor prime valoroase și la tratarea substanelor toxice.

### Okoju prijazno odlaganje

Starih električnih aparatov ne smete odvrcei skupaj z ostanki odpadkov, temveč ločeno. Odlaganje na komunalnem zbirnem mestu je za fizične osebe brezplačno. Lastniki starih naprav je odgovoren, da jih pripelje do teh ali podobnih zbirnih mest. S tako malo osebnega truda prispevate k recikliranju dragocenovnih surovin in obdelavi strupenih snovi.

### Ekološko odlaganje

Stari električni uređaji ne smiju se odlagati zajedno s kućnim otpadom, već ih treba odlagati odvojeno. Odlaganje na komunalnom sabirnom mjestu od strane privatnih osoba je besplatno. Vlasnik starih uređaja dužan je donijeti uređaje do tih sabirnih mjesta ili sličnih sabirnih mjesta. Ovim malim osobnim naporom doprinosite recikliranju vrijednih sirovina i pravilnoj obradi otrovnih tvari.

### Ekologická likvidácia

Staré elektrospraciebiča sa nesmú likvidovať spolu so zvyškovým odpadom, ale musia sa zlikvidovať samostatne. Likvidácia v komunálnom zbernom mieste prostredníctvom súkromných osôb je bezplatná. Majiteľ starých spotrebičov je zodpovedný za prinesenie spotrebičov na tieto zberné miesta alebo na podobné zberné miesta. Týmto malým osobným úsilím prispievate k recyklácii cenných surovín a spracovaniu toxických látok

### Utilizacija prijazna dla šrodoviska

Nie možo visazovať starych elektrickyh vraz z pozostalymi odpadami. Vyznagaja one oddzielne užitizaciji. Užitizacija przez osoby prywatne w punkcie zbiorci odpadkow komunalnych jest darmowa. Wlasiciele starych urzadzaj jest odpowiedzialny za dostarczenie ich do takich lub podobnych punktow zbiorci. Zadajac sobie tak niewielki trud, przyczyniasz sie do recyklingu cennyh surowcow i odpowiedzialnego postepowania z substancjami toksycznymi.

### Környezetbaró hulladékkezelés

A régi elektromos készülékek nem szabad a nem szelektivén gyűjtött hulladékkal együtt kidobni, hanem a hulladékkezelésüket ekölünthe kell végezni. A közösségi gyűjtőpontokon a magánselektivén ingyenesen leadhatják ezeket. A régi készülékek tulajdonosai felelnek azért, hogy a készülékeket ezekre a gyűjtőpontokra, vagy más gyűjtőpontokra elhozzák. Ezzel a kis személyes erőfeszítéssel Ön is hozzájárul az értékes nyersanyagok újrahaznosításához és a mérgező anyagok kezeléséhez.

### Miljøvennlig hantering av avfall

Gamla elektriska apparater får inte kasseras tillsammans med restavfall utan måste kasseras separat. Kassering på den lokala inamlingsplatsen för privatpersoner är gratis. Ägaren av gamla apparater ansvarar för att ta apparaterna till dessa inamlingsplatser eller till liknande inamlingsplatser. Med denna lilla personliga insats bidrar du till återvinning av värdefulla råvaror och hantling av giftiga ämnen.

### Umhverfivæn förgun

Ekki má farga gömlum ratækjum með úrgangsfleum, heldur þarf að farga þeim sérstaklega. Förgun á almennum söfnunarsstöðum er ókeypis fyrir einstaklinga. Eignari gamla tækja ber ábyrgð á að koma með tækini á þessa söfnunarsstöð eða á svipaða söfnunarsstöð. Með þessu lilla persónulega átaki stuðlar þú að endurnýnni verðmætra hráefna og meðléró eiturrefna.

### Čevre dostu bertar

Ekzi elektriki cihazlar, dijari atikaria birlikte bertaraf edilmemeli, ayrica atimaldir. Ozeli kisiler arcaçiyilgaya gelen toplama noktasina bertaraf islemi ucristiz olarak yararlanabilir. Ekzi cihazların sahibi, cihazları bu toplama noktasına veya benzer toplama noktasına getirmek sorumludur. Bu az miktardaki kişisel çabaları, değerli ham maddelerin geri dönüştürülmesine ve toksik maddelerin isleme

almasna katkda bulunmuy olursunuz.

This device is restricted to indoor use when operating in the 5150-5250MHz frequency range in all EU/EFTA member states and Turkey.

Im Frequenzbereich 5150 – 5250 MHz darf dieses Gerät in allen EU/EFTA-Mitgliedsstaaten und der

Türkei nur innerhalb von Gebäuden verwendet werden.

Este dispositivo está limitado a su uso en interiores cuando esté funcionando en el rango de frecuencia de 5150-5250 MHz en todos los estados miembros de la UE/AELC y Turquía.

Cet appareil est réservé à un usage en intérieur dans une plage de fréquence de 5 150 à 5 250 MHz

dans tous les pays membres de l'Union Européenne et de l'Association européenne de libre-échange, ainsi qu'en Turquie.

Il presente dispositivo è limitato all'uso in ambienti interni se utilizzato nell'intervallo di frequenze di funzionamento 5150-5250 MHz in tutti gli stati dell'UE/AELS e in Turchia.

Dit apparaat mag in landen van de EU/EFTA in Turkije alleen in binnenruimtes worden gebruikt

wanneer het frequentiebereik 5150-5250 MHz is ingesteld.

Este dispositivo está restrito para uso em áreas internas ao operar na faixa de frequência de 5150-5250MHz em todos os estados-membros da UE/EFTA e Turquia.

Использование данного устройства в частотном диапазоне 5150-5250 МГц разрешается только в помещениях во всех странах, входящих в ЕС/ЕАСТ, а также в Турции.

#### Thailand Warning message

เครื่องโทรคมนาคมและอุปกรณ์นี้ มีความสอดคล้องตามข้อกำหนดของ กทท.

#### Mexico Warning message

"La operación de este equipo está sujeta a las siguientes dos condiciones: (1) es posible que este equipo o dispositivo no cause interferencia perjudicial y (2) este equipo o dispositivo debe aceptar cualquier interferencia, incluyendo la que pueda causar su operación no deseada."

#### Brazil Warning message

Informações sobre Regulamentação

Estes equipamentos estão certificados e homologados pela ANATEL.

Para maiores informações, consulte o site da ANATEL: [www.anatel.gov.br](http://www.anatel.gov.br).

Este equipamento não tem direito à proteção contra interferência prejudicial e não pode causar

interferência em sistemas devidamente autorizados.

Este produto está homologado pela Anatel de acordo com os procedimentos regulamentados para

avaliação da conformidade de produtos para telecomunicações e atende aos requisitos técnicos aplicados, incluindo os limites de exposição da Taxa de

Absorção Específica referente a campos

elétricos, magnéticos e eletromagnéticos de radiofrequência.

Valores máximos de SAR:

Corpo SAR (10g) Brasil: 0.085W/kg

					
BE	BG	CZ	DK	DE	EE
IE	EL	ES	FR	HR	IT
CY	LV	LT	LU	HU	MT
NL	AT	PL	PT	RO	SI
SK	FI	SE	UK	TR	NO
CH	IS	LI			



#### Trademark Recognition



The Adopted Trademarks HDMI, HDMI High-Definition Multimedia Interface, and the HDMI Logo are trademarks or registered trademarks of HDMI Licensing Administrator, Inc. in the United States and other countries

DJI Support  
DJI 技术支持  
DJI 技術支援  
DJI サポート  
DJI 고객지원  
DJI Support  
Servicio de asistencia de DJI  
Service client DJI  
Assistenza DJI  
DJI-ondersteuning  
Assistència da DJI  
Suporte DJI  
Техническая поддержка DJI

<http://www.dji.com/support>

This content is subject to change.

Download the latest version from  
[www.dji.com/matrice-300](http://www.dji.com/matrice-300)

If you have any questions about this document, please contact DJI by  
sending a message to [DocSupport@dji.com](mailto:DocSupport@dji.com).

MATRICE is a trademark of DJI.  
Copyright © 2020 DJI All Rights Reserved.

Printed in China.



3GMDTRMA05