

D-RTK 2

High Precision GNSS Mobile Station

User Guide

使用说明

使用説明

ユーザーガイド

사용자 가이드

Bedienungsanleitung

Guía de usuario

Guide de l'utilisateur

Guida all'uso

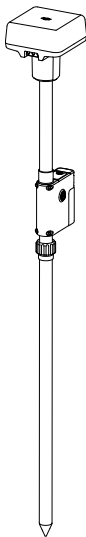
Gebruikershandleiding

Manual do utilizador

Guia do usuário

Руководство пользователя

v2.0 2020.06



Contents

EN	User Guide	2
CHS	使用说明	14
CHT	使用說明	26
JP	ユーザーガイド	38
KR	사용자 가이드	49
DE	Bedienungsanleitung	60
ES	Guía de usuario	72
FR	Guide de l'utilisateur	84
IT	Guida dell'utente	96
NL	Gebruikershandleiding	108
PT	Manual do utilizador	120
PT-BR	Guia do usuário	132
RU	Руководство пользователя	144
	Compliance Information	156

Disclaimer

Thank you for purchasing D-RTK™ 2 High Precision GNSS Mobile Station (hereinafter referred to as the "Product"). Read this disclaimer carefully before using this Product. By using this Product, you hereby agree to this disclaimer and signify that you have read it fully. Please use this Product in strict accordance with the manual and be sure to pay attention to the Warnings. SZ DJI TECHNOLOGY CO., LTD., and its affiliated companies assume no liability for damage(s) or injuries incurred directly or indirectly from using, installing or refitting this Product improperly, including but not limited to using non-designated accessories.

DJI™ is a trademark of SZ DJI TECHNOLOGY CO., LTD. (abbreviated as "DJI") and its affiliated companies. Names of products, brands, etc., appearing in this manual are trademarks or registered trademarks of their respective owner companies. This Product and manual are copyrighted by DJI with all rights reserved. No part of this Product or manual shall be reproduced in any form without the prior written consent or authorization of DJI.

This disclaimer is produced in various languages. In the event of divergence among different versions, the Chinese version shall prevail when the Product in question is purchased in China, and the English version shall prevail when the Product in question is purchased in any other region.

Warnings

1. To maximize the lifespan of the battery, remove the Intelligent Battery from the D-RTK 2 Mobile Station when not in use.
2. Only use the D-RTK 2 in the corresponding frequency band and in accordance with local laws and regulations.
3. DO NOT bend or fold the cables excessively.
4. Ensure that the D-RTK 2 Mobile Station is perfectly level when mounted and placed.
5. Only operate in an open environment free from radio interference. Turn off nearby devices using the same frequencies as the D-RTK 2 Mobile Station (e.g. radio transceivers).
6. Ensure that the antennas of all the devices used are unobstructed when in use.
7. Only use genuine DJI parts or parts certified by DJI. Unauthorized parts or parts from non-DJI-certified manufacturers may cause the system to malfunction and compromise safety.
8. Ensure that the D-RTK 2 Mobile Station and its components are free from contamination (e.g. water, oil, soil and sand).
9. DO NOT attempt to disassemble any part of the D-RTK 2 Mobile Station that has already been mounted prior to shipping.
10. Handle the sharp ends of the extension rod and tripod with caution.
11. Take necessary measures to protect the D-RTK 2 Mobile Station and batteries from water in rain, snow, and/or thunderstorms. Operate with caution in severe weather conditions.

Introduction

The D-RTK 2 High Precision GNSS Mobile Station is a high-precision satellite signal receiver that supports four global satellite navigation systems: GPS, BEIDOU, GLONASS, and Galileo with 11-band satellite signal* reception. Its built-in OCUSYNC™, LAN, and 4G data transmission links ensure uninterrupted, stable data transmission under a variety of application scenarios. The D-RTK 2 Mobile Station can be used as an RTK mobile base station to achieve centimeter-level positioning accuracy of an aircraft equipped with a DJI RTK positioning system (such as Agras T20, T16, MG-1P RTK, Phantom 4 RTK, P4 Multispectral, MATRICE™ 300 RTK, or Matrice 210 RTK V2). Its functions are uncompromised even in environments with strong magnetic interference, for example, near high-voltage power lines or metal structures. The D-RTK 2 Mobile Station can also be used as a handheld mapping device to achieve enhanced precision in point positioning during surveying and mapping, or lofting and other engineering applications. In addition, the D-RTK 2 Mobile Station can be used as a stationary RTK base station to quickly build network RTK services**.

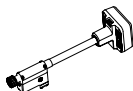
* Refer to the Specifications for details.

** Supported later. DJI only provides technical services, users must comply with the local laws, regulations and requirements for building network RTK services.

In the Box

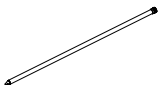
D-RTK 2 Body

x1



Extension Rod

x1



Charging Hub

x1



AC Power Adapter

x1



Intelligent Battery (WB37)

x2



Battery Cover

x1



AC Power Cable

x1



USB-C Cable

x1



USB-C OTG Cable

x1



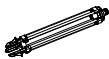
Hex Key

x1



Optional Items

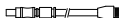
① Tripod



② Power Adapter Cable



③ LAN Cable



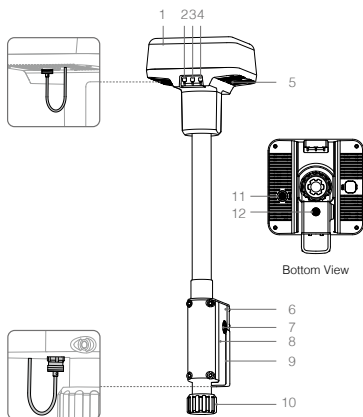
① When using the D-RTK 2 Mobile Station as a mobile base station, use the Tripod to support the D-RTK 2 body.

② When using the D-RTK 2 Mobile Station as a stationary base station, use the Power Adapter Cable and AC Power Adapter to connect to the AC power for long-term power supply.

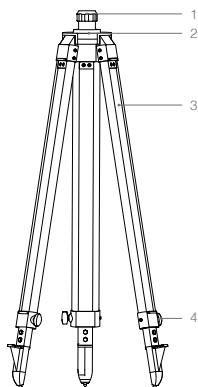
③ When using the D-RTK 2 Mobile Station as a stationary base station, use the LAN Cable to access the cloud server.

Overview

D-RTK 2 Body



Tripod



1. Antenna
2. Link Button and Indicator
3. Power Button and Indicator
4. Operating Mode Button and Indicator
5. USB-C Port
6. Dongle Compartment
7. Rosette Mount
8. Battery Compartment
9. Battery Cover
10. Lock Nut
11. LAN Port*
12. External Power Port*

1. Sleeve
2. Mount Base
3. Retractable Legs
4. Knobs

* Equipped with a protective cover that can be stored when the unit is in use. When not in use, cover the ports to protect the unit from moisture and dust.

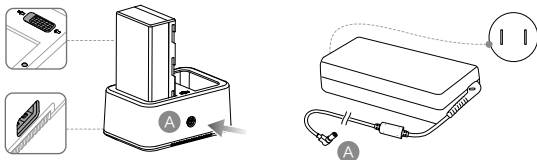
The illustrations in this document may be slightly different from the actual product. Please refer to the actual one.

Preparation

Charging the Battery

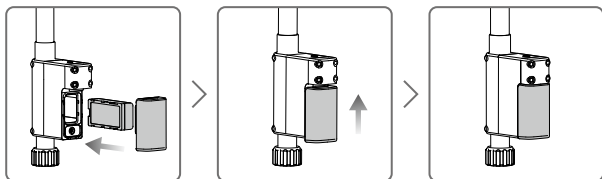
Press the battery level button once to check the battery level. Fully charge the batteries before first-time use.

1. Place the battery into the charging hub, connect the AC power adapter to the Charging Hub, and then connect the AC power adapter to a power outlet (100–240V, 50/60Hz).
2. The charging hub will intelligently charge batteries in sequence according to battery power levels from high to low.
3. The Status LED blinks green when charging and turns solid green when fully charged. The buzzer will begin beeping when charging is complete. Remove the battery or turn off the buzzer to stop it.



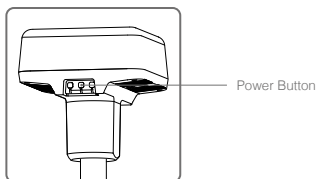
Refer to the WCH2 Charging Hub User Guide and the WB37 Intelligent Battery Safety Guidelines for more details.

Mounting the Battery



Powering the D-RTK 2 Mobile Station On/Off

Press and hold the power button to power on/off the D-RTK 2 Mobile Station.



Power Indicator Descriptions

Solid Red	System initializing/error notification
Quick Red Blink	Battery level is less than 20%
Slow Red Blink	Signals from ≤ 5 Satellite received
Solid Yellow	Signals from 6-9 Satellite received
Solid Green	Signals from ≥ 10 Satellite received

Operating Modes

The D-RTK 2 Mobile Station provides five operating modes to use with different products. Follow the instructions below to switch between modes.

1. Press and hold the Operating Mode button for two seconds. The indicator will turn from green to yellow to indicate that the device has entered mode switch status.
2. Press the Operating Mode button once to switch modes. Wait two seconds for the device to enter the corresponding mode. The indicator will turn from yellow to green. Operating modes are indicated by the blinking pattern of the indicator. Refer to the table below.
3. The device will remain in the original mode if there is no further operation within two seconds of entering the mode switch status.

Modes	Name and Compatible Products	Blinking Pattern
Operating Mode 1	Mobile Base Station (T20/T16/MG-1P RTK/Phantom 4 RTK/P4 Multispectral)	Once
Operating Mode 2	Stationary Base Station*	Twice
Operating Mode 3	Handheld Mapping Device (T20/T16/MG-1P RTK/Phantom 4 RTK)	Three Times
Operating Mode 4	Mobile Base Station (M210 RTK V2)	Four Times
Operating Mode 5	Mobile Base Station (Broadcast Mode, M300 RTK)	Five Times

* Supported later.

How to Use the D-RTK 2 Mobile Station

The operations are similar when using the D-RTK 2 Mobile Station with different products. Unless otherwise specified, the descriptions below are compatible with all the products working in the corresponding mode.

Connecting to the Remote Controller or Aircraft


Connection Method


The connection method vary depending on the operating mode. See the instructions below.

Operating Mode 1


Using with Agras or Phantom 4 RTK Aircraft

The D-RTK 2 Mobile Station must be linked to the remote controller in the app. The following descriptions use the DJI Agras app as an example.

1. Power on the D-RTK 2 Mobile Station, wait until system initialization is completed, and enter Operating Mode 1.
2. Power on the remote controller and make sure that the app is launched.
3. In the app, go to Operation View >  > RTK to enable aircraft RTK function. Select the RTK signal source to D-RTK 2 Mobile Station. Then, tap Linking at the bottom. The remote controller status indicator will blink blue and a beeping sound from the remote controller will indicate that the remote controller is being linked.

- Press the Link button on the D-RTK 2 Mobile Station and the link indicator will blink red and green alternately, indicating that the D-RTK 2 Mobile Station is being linked.
- The linking is successful when the indicator light on the remote controller becomes solid green. The D-RTK 2 link indicator shows the current working status. Refer to the table below for the details.
- The remote controller and aircraft must be relinked after the remote controller is linked with the D-RTK 2 Mobile Station. There are three ways that this can be done:
 - After linking the remote controller with the D-RTK 2 Mobile Station, tap **Link with Aircraft** in the pop-up window to link it with the aircraft. Then press the Link button on the aircraft to finish linking.
 - On the RTK Settings page, tap the  button next to the prompt indicating the aircraft has been disconnected, and then tap **Link with Aircraft** in the pop-up window to link it with the aircraft.
 - Link the remote controller with the aircraft on the RC Settings page. When finished, go to the RTK Settings page and tap **Try to Reconnect** next to the D-RTK 2 Status to reconnect to D-RTK 2. The D-RTK 2 status must indicate **Connection Success** for the RTK functions to work.

Using with P4 Multispectral Aircraft

- Power on the D-RTK 2 Mobile Station, wait until system initialization is completed, and enter Operating Mode 1.
- Power on the remote controller and make sure that the DJI GS Pro app is launched.
- Go to Mission Page in DJI GS Pro, tap the  icon or RTK on top of the screen to go to the RTK settings menu, and then select D-RTK 2 as the RTK signal source. Enable the aircraft RTK at the bottom of the menu to ensure the aircraft has access to RTK data.
- Tap Link. The remote controller will start beeping. Then press the link button on the mobile station.
- The linking is successful when the indicator light on the remote controller becomes solid green. The D-RTK 2 link indicator shows the current working status. Refer to the table below for details.



- When the D-RTK 2 Mobile Station has been connected to the remote controller and the aircraft is being controlled by the remote controller, the D-RTK 2 Mobile Station cannot be linked with other remote controllers. If required, link after the aircraft lands and the motors stop.
- One D-RTK 2 Mobile Station can link with up to five remote controllers.

Operating Mode 3

The D-RTK 2 Mobile Station must be linked to the remote controller.

- Power on the D-RTK 2 Mobile Station, wait until system initialization is completed, and enter Operating Mode 3.
- Power on the remote controller. Go to Remote Controller Settings in the app, and tap Linking. The status LED blinks blue and the remote controller will beep twice repeatedly, indicating that the remote controller is ready to link.
- Press the Link button on the D-RTK 2 Mobile Station and the link indicator will blink red and green alternately, indicating that the D-RTK 2 Mobile Station is being linked.
- The linking is successful when the indicator light on the remote controller becomes solid green. The D-RTK 2 link indicator shows the current working status. Refer to the table below for details.

Operating Mode 4

The D-RTK 2 Mobile Station must be linked to the M210 RTK V2 aircraft.

- Power on the M210 RTK V2 aircraft and make sure that it is linked to the remote controller.
- Press the Link button on the D-RTK 2 Mobile Station and the link indicator will blink red and green alternately, indicating that the D-RTK 2 Mobile Station is being linked.
- Press the Link button on the aircraft.
- Wait for a few seconds. The linking is successful when the indicator lights on both the aircraft and mobile station become solid green.

Operating Mode 5

When using with the M300 RTK, the remote controller must join the broadcast network of the D-RTK 2 Mobile Station.

1. Power on the D-RTK 2 Mobile Station, wait until system initialization is completed, and enter Operating Mode 5.
2. Power on the remote controller. Go to RTK Settings in the DJI Pilot app, and set the RTK signal source to D-RTK 2 Mobile Station.
3. Tap **>** on the right of the D-RTK 2 Mobile Station status display and a search will start automatically. Select the desired RTK base station in the search results and wait for a successful connection.

Link Indicator Descriptions

When the linking process starts, the indicator blinks red and green alternately.

When the linking process is finished, the indicator blinking patterns are as shown below.

Operating Mode 1/3/4	Status
Solid Green	OcuSync signal quality >70%
Quick Green Blink	OcuSync signal quality 35%-70%
Slow Green Blink	OcuSync signal quality ≤ 35%
Solid Red	OcuSync signal quality = 0
Operating Mode 2	Status
Solid Green	Network connected
Solid Red	Network disconnected
Operating Mode 5	Status
Solid Green	Working normally

Activation

Make sure to activate the D-RTK 2 Mobile Station before first-time use. Activation can be done in the app or in the DJI ASSISTANT™ 2 software. The following descriptions use the app for example.

Using with Agras or Phantom 4 RTK Aircraft

1. Power on the D-RTK 2 Mobile Station.
2. Power on the remote controller and make sure that the app is launched.
3. In the app, go to RTK Settings to enable the aircraft RTK function. Select the RTK signal source to D-RTK 2 Mobile Station. When connecting for the first-time, a prompt for activation will appear. Follow the on-screen steps for activation.

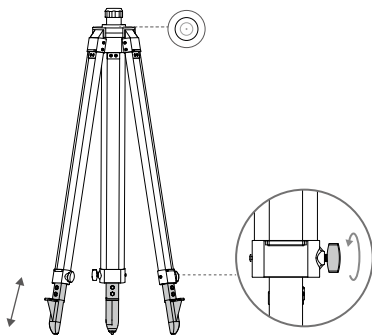
Using with M300 RTK or M210 RTK V2 Aircraft

Power on the mobile station, and make sure that it is linked to the aircraft or remote controller. Launch the DJI Pilot app and follow the on-screen steps for activation.

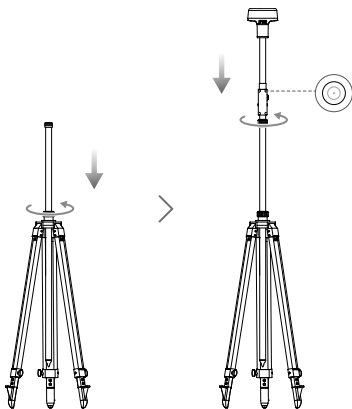
Setup

When used as a mobile base station, choose an open area to set up the D-RTK 2 Mobile Station. Mark the location and align the center of the tripod with the mark to ensure that the D-RTK 2 Mobile Station can be replaced at the same location.

1. Unfold the tripod, stretch the three retractable legs to the desired length, and then tighten each of the three knobs. Ensure that the bubble of the bubble level on the mount base is located within the black circle (viewed from the top of the bubble level vertically) while keeping the tripod secure.



2. Insert the extension rod into the tripod and tighten the sleeve on the tripod. Then attach the D-RTK 2 body onto the extension rod and tighten the lock nut on the D-RTK 2 body. Ensure that the bubble of the bubble level on the D-RTK 2 is located within the black circle (viewed from the top of the bubble level vertically).





- DO NOT change the position or angle of the tripod or the D-RTK 2 Mobile Station after the tripod has been leveled, or else it should be readjusted.
- The setup environment requires a wild field of vision. Ensure that there are no obstructions (trees, buildings) within the zone more than a 15° angle above the horizontal plane of the D-RTK 2 antenna to prevent the GNSS signals from being absorbed or blocked.
- The setup location should be at least 200 m away from high-power radio emission sources (such as television stations, microwave stations, etc.) and at least 50 m away from high-voltage transmission lines to avoid electromagnetic interference to GNSS signals.
- The setup location should be away from large-area waters or objects that strongly interfere with satellite signal reception to reduce multipath effects.

Usage

The available operating modes vary depending on the products used with the D-RTK 2 Mobile Station. Select the corresponding operating mode according to the product in use and follow the instructions below.

Instructions

Operating Mode 1/4

1. Lift the extension rod in the tripod to adjust the D-RTK 2 Mobile Station to the desired height and tighten the sleeve.
2. Power on the D-RTK 2 Mobile Station, wait until system initialization is completed, and enter Operating Mode 1 or 4.
3. Power on the remote controller and aircraft and make sure that the app is launched.
4. In the app, go to RTK Settings to enable aircraft RTK function. Set the RTK signal source to D-RTK 2 Mobile Station and view the Status display to check the connection. When using a P4 Multispectral aircraft, tap Connect to establish a connection with the base station.
5. Wait for the system to start searching for satellites. Start the motors when the RTK icon displays FIX or the status of both the aircraft's orientation and positioning in the status table in RTK settings show FIX.



During flight, if the D-RTK 2 Mobile Station is moved or it is powered off, the aircraft RTK will switch to GNSS mode and will not enter the RTK FIX status again. Restart the D-RTK 2 Mobile Station after flight and wait for it to enter the RTK FIX status.

Operating Mode 3

1. Power on the D-RTK 2 Mobile Station, wait until system initialization is completed, and enter Operating Mode 3.
2. Power on the remote controller and make sure that the app is launched. Check the home screen to make sure the handheld mapping device is connected.
3. In RTK Settings, select the RTK signal source for the handheld mapping device. Make sure that the D-RTK 2 Mobile Station used as a handheld mapping device is connected to another D-RTK 2 Mobile Station used as a base station or a Network RTK server.
4. Set the planning method to handheld RTK for operation planning.

Operating Mode 5

1. Power on the D-RTK 2 Mobile Station, wait until system initialization is completed, and enter Operating Mode 5.
2. Make sure that the remote controller is connected to the broadcast network of the D-RTK 2 Mobile Station.
3. Wait for the system to start searching for satellites. Start the motors when the status of both the aircraft's orientation and positioning in the status table in RTK settings show FIX.

Advanced Settings

Operating Mode 1/3/4

1. Go to the bottom of RTK Settings and tap Advanced Settings.
2. The settings vary depending on the product used with the D-RTK 2 Mobile Station. Settings include managing the list of linked remote controllers and viewing and editing the device name.
3. Input measured coordinates and altitude* to set them to the D-RTK 2 Mobile Station when using as a base station.

Operating Mode 5

1. Go to the bottom of RTK Settings and tap Advanced Settings. Input the administrator password to enter configuration. The default password is 123456.
2. Edit the name of the mobile station and change the password.
3. Input measured coordinates and altitude* to set them to the D-RTK 2 Mobile Station when using as a base station.
4. The password can be reset by following the instructions below. Press and hold the Link button on the mobile station for three seconds, and then press the Operating Mode button once. The Operating Mode Indicator turns from red to green, indicating that the password has been reset successfully.

* If coordinates input into the app are more than 50 m (for Operating Mode 1) or 15 m (for Operating Mode 4 or 5) away from the actual coordinates of the D-RTK 2 Mobile Station, they will not be imported.

If the D-RTK 2 Mobile Station is restarted after input coordinates are successfully set, these coordinates will be used only if the difference between the actual coordinates and the set coordinates is less than 5 m. Otherwise, the actual positioning coordinates will be used.

Appendix

Specifications

GNSS Receiver	GNSS Frequency	Simultaneously receive: GPS: L1, L2, L5; BeiDou: B1, B2, B3 GLONASS: F1, F2; Galileo: E1, E5A, E5B
	Positioning Accuracy	Single Point Horizontal: 1.5 m (RMS) Vertical: 3.0 m (RMS) RTK Horizontal: 1 cm + 1 ppm (RMS) Vertical: 2 cm + 1 ppm (RMS) 1 ppm: For every 1 km increase in distance, the accuracy will be 1 mm less. For example, the horizontal accuracy is 1.1 cm when the receiving end is 1 km away from the base station.
	Positioning Update Rate	1 Hz, 2 Hz, 5 Hz, 10 Hz and 20 Hz
	Cold Start	< 45 s
	Hot Start	< 10 s
	Recapture Time	< 1 s
	Initialization Reliability	> 99.9%
	Differential Data Format	RTCM 2.x/3.x

Communication and Data Storage	Data Link	OcuSync, LAN, 4G, Wi-Fi
	Operating Frequency	2.4000-2.4835 GHz, 5.725-5.850 GHz
	EIRP	OcuSync 2.4 GHz SRR/CE/MIC/KCC: < 20 dBm FCC/NCC: < 26 dBm 5.8 GHz SRR/NCC/FCC: < 26 dBm; CE: < 14 dBm Wi-Fi 2.4 GHz SRR/CE/MIC/KCC: < 20 dBm FCC/NCC: < 22 dBm 5.8 GHz SRR/NCC/FCC: < 22 dBm
	OcuSync Communication Distance	Operating Mode 1/3 SRR/NCC/FCC/MIC/KCC/CE: 2 km (Unobstructed and free of interference, when the D-RTK 2 Mobile Station is used as a base station and the distance from the D-RTK 2 antenna to the bottom of the tripod is 1.8 m, when the difference in height between the remote controller and D-RTK 2 is less than 2 m, and when the remote controller is 1.2 m from ground level) Operating Mode 4 Between the aircraft and mobile station: NCC/FCC: 7 km; SRR/MIC/KCC/CE: 5 km Between the remote controller and mobile station: 200 m (Unobstructed and free of interference at a flying altitude of about 120 m, when the distance from the D-RTK 2 antenna to the bottom of the tripod is 1.8 m, and when the remote controller is 1.2 m from ground level) Operating Mode 5 NCC/FCC: 12 km; SRR/MIC/KCC/CE: 6 km (Unobstructed and free of interference, when the distance from the D-RTK 2 antenna to the bottom of the tripod is 1.8 m)
	Memory Capacity	16 GB
IMU	Features	Built-in high-precision 6-axis accelerometer D-RTK 2 movement monitoring Sloping measurements Electronic bubble level
Electrical Characteristics	Power Consumption	12 W
	Power Supply	16.5 to 58.8VDC
	Battery	Type: Lithium-ion battery Capacity: 4920 mAh Energy: 37.3 WH
	Run Time	WB37 battery: > 2 h

Physical Characteristics	Dimensions (D-RTK 2 body with extension rod)	168 mm x 168 mm x 1708 mm
	IP Rating	IP65
Operating Temperature	-4° to 131° F (-20° to 55° C)	

Updating the Firmware

Update the D-RTK 2 firmware in the DJI Assistant 2 software or the app*. The following instructions use the DJI Assistant 2 software for example.

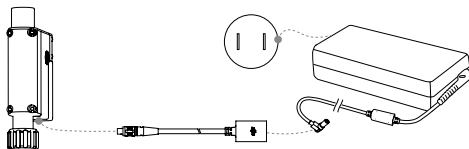
1. Turn on the D-RTK 2 Mobile Station.
2. Connect the D-RTK 2 Mobile Station to the computer via the USB-C cable.
3. Launch DJI Assistant 2 and login with a DJI account.
4. Click D-RTK 2 and then click the firmware update tag.
5. Select the desired firmware version.
6. DJI Assistant 2 will download and update the firmware automatically.

* An app version that supports firmware update is required.

Accessories Usage

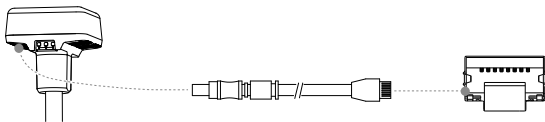
Power Adapter Cable

Connect the Power Adapter Cable to the external power port, then connect the Power Adapter to a power outlet (100-240V, 50/60Hz) with the AC power cable.



LAN Cable

Use the LAN cable to access the public network.



Be sure to comply with local laws and regulations when transmitting satellite positioning information on a public network.

This content is subject to change.

Download the latest version from
<http://www.dji.com/d-rtk-2>

免责声明

感谢您购买 D-RTK™ 2 高精度 GNSS 移动站（简称 D-RTK 2 移动站）。在使用之前，请仔细阅读本声明，一旦使用，即被视为对本声明全部内容的认可和接受。请严格遵守本文安装和使用该产品，并务必重视注意事项。因用户不当使用、安装、改装（包含但不限于使用非 DJI 指定的零配件）造成的任何损失，深圳市大疆™ 创新科技有限公司及其关联公司将不承担任何责任。

DJI™ 是深圳市大疆创新科技有限公司及其关联公司的商标。本文出现的产品名称、品牌等，均为其所属公司的商标或注册商标。本产品及文档为深圳市大疆创新科技有限公司版权所有。未经许可，不得以任何形式复制翻印。

关于不同语言版本的免责声明可能存在的语义差异，中国以中文版为准，其他地区以英文版为准。

注意事项

1. 为提高电池使用寿命，关闭 D-RTK 2 移动站后，请及时取出其中的智能电池。
2. 根据当地无线电规定，使用对应频段的 D-RTK 2 移动站，并遵守当地无线电法律法规。
3. 安装时切勿过度弯曲和折叠线材。
4. 安装和摆放时，务必确保 D-RTK 2 移动站与水平面相对水平。
5. 在开阔、不受无线电干扰的环境中使用 D-RTK 2 移动站。务必在关闭其他同频段的无线设备（如对讲机等）后再使用。
6. 使用过程中请确保所有设备的天线均不受遮挡。
7. 使用原厂配件或经过 DJI 认证的配件。使用非原厂配件有可能对系统的安全使用造成危险。
8. 确保部件内部没有进入任何异物（如：水、油等液体，沙土等）。
9. 切勿自行拆下出厂时已安装的任何部件。
10. 延长杆底部及三脚架底部较为尖锐，使用时务必小心。
11. 雨雪天气时使用，请对 D-RTK 2 移动站和电池采取必要的防水措施。雷电天气请谨慎使用，注意防雷。

简介

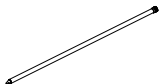
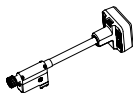
D-RTK 2 高精度 GNSS 移动站是一款高精度卫星信号接收机，支持 GPS、BEIDOU、GLONASS 和 Galileo 4 系统 11 频* 的卫星信号接收，同时内置 OCUSYNC™、LAN、4G 等数据传输链路，方便用户在不同应用场景使用。D-RTK 2 移动站可作为 RTK 移动基站，将装备有 DJI RTK 定位系统的飞行器（如大疆农业植保无人机 T20、T16、MG-1P RTK，PHANTOM™ 4 RTK，P4 Multispectral，MATRICE™ 300 RTK、Matrice 210 RTK V2 等）定位精度由米级提升至厘米级，而且提供强大的抗磁干扰能力，在高压线、金属建筑等强磁干扰的环境下保障可靠的作业飞行。D-RTK 2 移动站作为手持测绘杆，用于手持测绘、工程放样等其他用途，可实现更加精准的定点测量。另外，D-RTK 2 移动站还可以作为固定基站，用来快速建立网络 RTK 服务**。

* 详见规格参数。

** 后续支持；网络 RTK 服务的建设必须符合当地法律法规和资质要求，DJI 仅提供技术服务。

物品清单

D-RTK 2 主体 ×1 延长杆 ×1 充电管家 ×1



电源适配器 ×1 智能电池 (WB37) ×2 电池盖 ×1



AC 电源线 ×1 USB-C 线 ×1 USB-C OTG 线 ×1 内六角扳手 ×1



可选配件

① 三脚架



② 4G 无线上网卡



③ 电源适配器转接线



④ LAN 线



① 作为移动基站使用时，用于固定 D-RTK 2 主体。

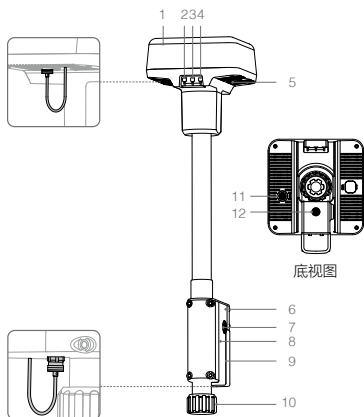
② 作为固定基站使用时，用于向网络 RTK 服务器传输卫星观测数据。

③ 作为固定基站使用时，连接至交流电源提供长时间供电。

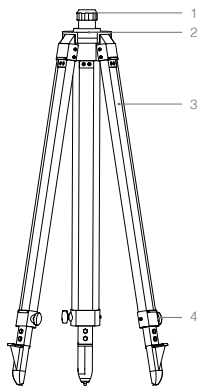
④ 作为固定基站使用时，连接 LAN 线通过有线网络接入到云端服务器。

部件说明

D-RTK 2 主体



三脚架



1. 天线
2. 对频按键及指示灯
3. 电源按键及指示灯
4. 模式按键及指示灯
5. USB-C 接口
6. 无线上网卡仓
7. 盘齿
8. 电池仓
9. 电池盖
10. 锁定螺母
11. LAN 口 *
12. 外部电源接口 *

1. 套筒
2. 底座
3. 伸缩杆
4. 旋钮

* 配备保护盖，接口使用时取下保护盖并保存好；接口未使用时请盖好保护盖以防水防尘。


文中图示可能与实物存在细微差别，请以实物为准。

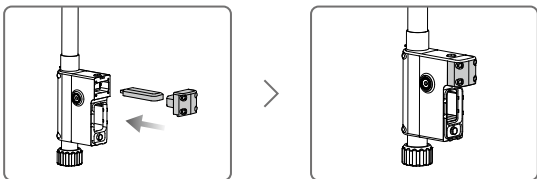
准备

安装无线上网卡

- ⚠ 务必使用 DJI 认证的无线上网卡（详情咨询 DJI 授权代理商）。否则可能无法安装到设备上，无法上网或者干扰 OcuSync 通信。
- 用户需自备 SIM 卡，并根据实际使用情况选择合适的流量服务。无线上网卡支持多种网络制式，根据当地运营商网络的实际情况选择合适的 SIM 卡，以获得最佳体验。
- 按照无线上网卡及 SIM 卡本身的使用说明进行操作。

- 使用内六角扳手移除无线上网卡仓盖。
- 无线上网卡中装入 SIM 卡，然后安装到仓内。测试确保工作正常*。
- 重新安装无线上网卡仓盖。

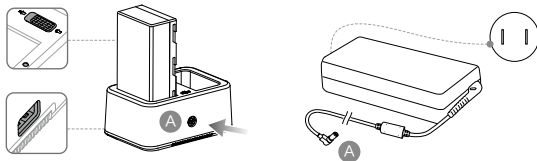
* 测试方法：长按电源按键开启 D-RTK 2 移动站，按照后文的“连接方法”连接至遥控器或飞行器后，进入 App 的 RTK 设置页面，在移动站状态显示的右侧，网络信号状态  为三格及以上表示 4G 传输信号良好。



充电

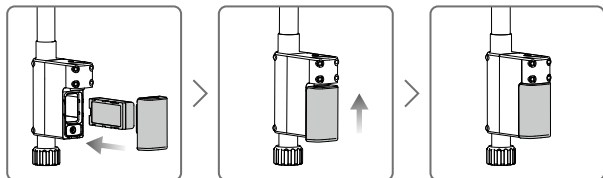
短按一次电池的电量按键，可查看电池电量。首次使用时，务必将电池充满。

- 安装电池到充电管家中，再将电源适配器接头插入充电管家的电源接口，最后连接充电器到交流电源（100-240V，50/60Hz）。
- 充电过程中，充电管家会优先选择电量较高的电池进行充电。
- 充电管家绿灯闪烁表示正在充电，绿灯常亮表示充电完毕。电池充满时会有声音提示，按下电池或关闭蜂鸣器开关可停止声音提示。



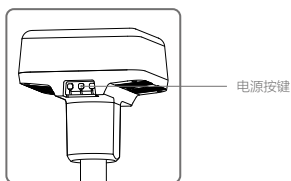
 参考《WCH2 充电管家使用说明》和《WB37 智能电池安全使用指引》，了解更多内容。

安装电池



开启 / 关闭 D-RTK 2 移动站

长按电源按键以开启 / 关闭 D-RTK 2 移动站。



电源指示灯说明

红灯常亮	正在初始化 / 错误报警
红灯快闪	电量 <20%
红灯慢闪	接收卫星数量 <5 颗
黄灯常亮	接收卫星数量 6-9 颗
绿灯常亮	接收卫星数量 ≥10 颗

选择工作模式

D-RTK 2 移动站共有 5 种工作模式，可配合不同产品使用。按照以下说明进行模式切换。

1. 长按模式按键 2 秒，模式状态指示灯由绿色变为黄色，进入模式修改状态。
2. 短按模式按键切换工作模式，修改后等待 2 秒进入该模式，指示灯由黄色变为绿色。指示灯周期内循环闪烁的次数表示不同的工作模式，详见下表。
3. 若进入模式修改状态后无操作，则 2 秒后自动退出并维持原模式。

模式	名称及适配产品	闪灯
工作模式 1	移动基站 (T20 / T16 / MG-1P RTK / Phantom 4 RTK / P4 Multispectral)	1 次
工作模式 2	固定基站 *	2 次
工作模式 3	手持测绘杆 (T20 / T16 / MG-1P RTK / Phantom 4 RTK)	3 次
工作模式 4	移动基站 (M210 RTK V2)	4 次
工作模式 5	移动基站 (广播模式, M300 RTK)	5 次

* 后续支持。

使用

D-RTK 2 移动站配合不同产品使用时，操作方法类似。如无特殊说明，以下内容适用于对应工作模式的所有适配产品。

连接遥控器或飞行器

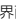
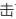
连接方法

不同工作模式下的连接方法有所不同，具体操作如下。

工作模式 1

配合大疆农业植保无人飞机及 Phantom 4 RTK 使用

D-RTK 2 移动站需要在 App 中与遥控器对频，下面以大疆农业 App 为例进行说明。

1. 开启 D-RTK 2 移动站电源，等待系统完成初始化，切换到工作模式 1。
2. 打开遥控器，确保显示设备已运行大疆农业 App。
3. 点击“执行作业”进入作业界面，点击  > RTK，打开“飞行器 RTK 定位”。选择 RTK 信号源为“D-RTK 2 移动站”，然后点击“对频”。遥控器状态指示灯蓝色闪烁，并且发出“滴滴”提示音，表示进入对频状态。
4. 短按一次 D-RTK 2 移动站上的对频按键，对频状态指示灯红绿交替闪烁表示进入对频状态。
5. 对频成功，遥控器指示灯绿灯常亮，D-RTK 2 移动站指示灯显示当前工作模式下的状态，详见下表。
6. 遥控器与 D-RTK 2 移动站对频成功后，需要重新与飞行器对频。有以下三种方式：
 - 与 D-RTK 2 移动站对频完成后，在弹出的窗口中点击“与飞行器对频”，进入与飞行器对频的状态，按下飞行器对频按键以完成对频。
 - 在“RTK 设置”页面，点击飞行器未连接提示旁边的  按钮，在弹出的窗口中点击“与飞行器对频”，进入与飞行器对频的状态。
 - 在“遥控器设置”页面进行与飞行器的对频。完成对频后，需在“RTK 设置”页面 D-RTK 2 移动站状态处点击“尝试重连”重新连接 D-RTK 2，并确保状态为“连接成功”，否则将无法使用 RTK 功能。

配合 P4 Multispectral 使用

1. 开启 D-RTK 2 移动站电源，等待系统完成初始化，切换到工作模式 1。
2. 开启遥控器，确保已运行 DJI GS Pro App。
3. 进入 DJI GS Pro 任务界面，点击上方的  或 RTK 图标进入 RTK 设置菜单，选择 D-RTK 2 作为 RTK 信号源，然后开启菜单底部的飞行器 RTK 开关，否则飞行器将无法使用 RTK 数据。
4. 点击“对频”，遥控器发出“滴滴”提示音后按下基站的对频按键。
5. 对频成功，遥控器指示灯绿灯常亮，D-RTK 2 移动站指示灯显示当前工作模式下的状态，详见下表。



- 当 D-RTK 2 移动站已经连接遥控器且遥控器正在控制飞行器作业时，D-RTK 2 移动站无法与其他遥控器进行对频，请等待飞行器降落并关闭电机后再进行对频。
- 一个 D-RTK 2 移动站最多可与 5 个遥控器对频。

工作模式 3

D-RTK 2 移动站需要与遥控器对频后，方可使用。

1. 开启 D-RTK 2 移动站电源，等待系统完成初始化，切换到工作模式 3。
2. 开启遥控器，进入 App 的“遥控器设置”页面，点击“对频”。遥控器状态指示灯蓝灯闪烁，并且发出“滴滴”提示音，表示进入对频状态。

- 短按一次 D-RTK 2 移动站的对频按键，对频状态指示灯红绿交替闪烁表示进入对频状态。
- 对频成功，遥控器指示灯绿灯常亮，D-RTK 2 移动站指示灯显示当前工作模式下的状态，详见下表。

工作模式 4

D-RTK 2 移动站需要与 M210 RTK V2 飞行器对频后，方可使用。

- 开启 M210 RTK V2 飞行器，并确保已与遥控器对频。
- 短按一次 D-RTK 2 移动站的对频按键，对频状态指示灯红绿交替闪烁表示进入对频状态。
- 短按一次飞行器上的对频按键。
- 等待数秒后，飞行器及移动站的对频状态指示灯均为绿灯常亮，表示对频成功。

工作模式 5

配合 M300 RTK 使用时，需要遥控器加入 D-RTK 2 移动站的广播网络中，方可使用。

- 开启 D-RTK 2 移动站电源，等待系统完成初始化，切换到工作模式 5。
- 开启遥控器，进入 DJI Pilot App 的 RTK 设置页面，选择 RTK 信号源为“D-RTK 2 移动站”。
- 点击 D-RTK 2 移动站状态右侧的 >，系统将自动进行搜索，在搜索结果列表中选择所需的 RTK 基站，等待连接成功。

对频状态指示灯说明

进入对频状态时，对频状态指示灯将红绿交替闪烁。

退出对频状态时，对频状态指示灯显示如下：

工作模式 1 / 3 / 4	状态
绿灯常亮	OcuSync 信号质量 >70%
绿灯快闪	OcuSync 信号质量 35%-70%
绿灯慢闪	OcuSync 信号质量 ≤ 35%
红灯常亮	OcuSync 信号质量 =0
工作模式 2	状态
绿灯常亮	网络已连接
红灯常亮	网络未连接
工作模式 5	状态
绿灯常亮	正常工作

激活

首次使用，需激活 D-RTK 2 移动站。用户可通过 App 或 DJI ASSISTANT™ 2 调参软件完成激活，下面以 App 为例进行说明。

配合大疆农业植保无人飞机及 Phantom 4 RTK 使用

- 开启 D-RTK 2 移动站电源。
- 打开遥控器，确保显示设备已运行 App。
- 进入 RTK 设置页面，打开“飞行器 RTK 定位”。选择 RTK 信号源为“D-RTK 2 移动站”，首次连接将会提示激活，请根据弹出的引导进行激活操作。

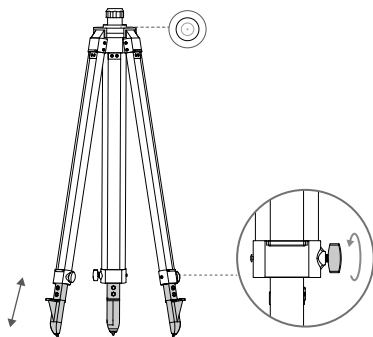
配合 M300 RTK 及 M210 RTK V2 使用

开启 D-RTK 2 移动站电源，并确保已连接至飞行器或遥控器。运行 DJI Pilot App，按照 App 提示进行激活操作。

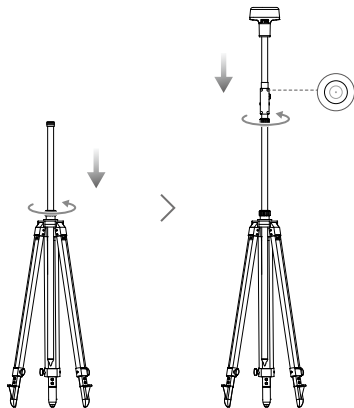
架设 D-RTK 2 移动站

作为移动基站使用时，选择视野开阔的地点架设 D-RTK 2 移动站并作标记（使三脚架的中心对准标记点中心），以便 D-RTK 2 移动站被移动后可以准确复位。

1. 撑开三脚架，将三根伸缩杆拉伸至合适长度，然后拧紧旋钮。确保基座上水平仪中的气泡保持在黑色圆圈内（从水平仪垂直正上方观察），同时确保三脚架稳固。



2. 安装延长杆至三脚架，拧紧三脚架上的套筒。安装 D-RTK 2 主体至延长杆，拧紧主体上的锁定螺母。确保 D-RTK 2 移动站上水平仪中的气泡保持在黑色圆圈内（从水平仪垂直正上方观察）。





- 三脚架调至水平后，请勿改变三脚架或 D-RTK 2 移动站的位置及角度，否则需要重新调平。
- 移动站的架设环境要求视野开阔，确保 D-RTK 2 移动站天线周围 15° 以上没有障碍物（树木、建筑物），以避免 GNSS 信号被吸收或遮挡。
- 移动站的架设环境应远离大功率无线电发射源（如电视台、微波站等）至少 200 m，远离高压输电线至少 50 m，以避免电磁场对 GNSS 信号的干扰。
- 移动站的架设环境附近不应有大面积水域或强烈干扰卫星信号接收的物体，以减弱多路径效应的影响。

使用 D-RTK 2 移动站

D-RTK 2 移动站配合不同产品使用时，可选择的工作模式有所不同，请根据配合的产品选择工作模式，按以下说明进行使用。

使用方法

工作模式 1 / 工作模式 4

1. 升起延长杆调整 D-RTK 2 移动站至合适的高度，然后拧紧套筒。
2. 开启 D-RTK 2 移动站电源，等待系统完成初始化，切换到工作模式 1 或工作模式 4。
3. 开启遥控器和飞行器电源，确保已运行 App。
4. 进入“RTK 设置”页面，打开“飞行器 RTK 定位”，选取“D-RTK 2 移动站”作为 RTK 信号源。查看“状态”项是否为连接成功。若使用 P4 Multispectral 飞行器，点击“连接”，与基站建立连接。
5. 等待搜星，App 界面上方的 RTK 图标显示 FIX 或 RTK 设置页面的状态显示列表中飞行器 RTK 的定向及定位状态均为 FIX，可启动电机起飞。



飞行器飞行过程中，如果移动 D-RTK 2 移动站或关闭电源，则飞行器 RTK 会切换到 GNSS 模式，并且不会再次进入 RTK FIX 状态。需要等待飞行结束后重启电源，才能进入 RTK FIX 状态。

工作模式 3

1. 开启 D-RTK 2 移动站电源，等待系统完成初始化，切换到工作模式 3。
2. 开启遥控器，确保已运行 App，主界面显示已连接手持 RTK。
3. 在“RTK 设置”页面，选择手持测绘杆所需的 RTK 信号源，确保作为手持测绘杆的 D-RTK 2 移动站与网络 RTK 或另一台作为基站的 D-RTK 2 移动站已建立连接。
4. 选择规划方式为手持 RTK 进行作业规划。

工作模式 5

1. 开启 D-RTK 2 移动站电源，等待系统完成初始化，切换到工作模式 5。
2. 确保遥控器已连接至 D-RTK 2 移动站的广播网络。
3. 等待搜星，在 RTK 设置页面的状态显示列表中，飞行器 RTK 的定向及定位状态均为 FIX，可启动电机起飞。

高级设置

工作模式 1 / 3 / 4

1. 在 RTK 设置页面，点击“高级设置”，进入高级设置。
2. 配合不同产品使用时，设置项有所不同，包括管理与移动站对频的遥控器 ID 列表、查看及修改设备名称等。
3. 当移动站做基站时，可以输入已有坐标，从而使基站的坐标定位为已知的坐标和海拔*。

工作模式 5

1. 在 RTK 设置页面，点击“高级设置”，输入管理员密码，进入高级设置。初始密码为 123456。
2. 修改移动站名称及管理密码。
3. 当移动站做基站时，可以输入已有坐标，从而使基站的坐标定位为已知的坐标和海拔*。
4. 用户还可通过以下操作重置密码：长按移动站的对频按键 3 秒以上，再短按模式按键，模式状态指示灯由绿灯闪烁变为红灯闪烁，表示密码重置成功。

* 在 App 中输入坐标时，若 D-RTK 2 移动站实际定位坐标与输入坐标距离超过 50 m（工作模式 1）或 15 m（工作模式 4 / 5），则无法写入坐标。

若在成功写入坐标后重启 D-RTK 2 移动站，当实际定位坐标与输入坐标距离在 5 m 内，则使用之前通过 App 写入的坐标。否则，将使用当前定位的坐标。

附录

规格参数

GNSS 接收机	卫星接收频点	同时接收： GPS: L1, L2, L5 BeiDou: B1, B2, B3 GLONASS: F1, F2 Galileo: E1, E5A, E5B
	定位精度	单点 水平: 1.5 m (RMS) 垂直: 3.0 m (RMS) RTK 水平: 1 cm+1 ppm (RMS) 垂直: 2 cm+1 ppm (RMS) 1 ppm: 每增加 1 km, 精度变差 1 mm。 例如距离基站 1 km, 则精度为 1.1 cm。
	定位更新率	1 Hz, 2 Hz, 5 Hz, 10 Hz 和 20 Hz
	冷启动	< 45 s
	热启动	< 10 s
	重捕获	< 1 s
	初始化可靠性	> 99.9%
	差分数据传输格式	RTCM 2.X/3.X

通信和数据存储	数据链路	OcuSync, LAN, 4G, Wi-Fi
	工作频率	2.4000-2.4835 GHz; 5.725-5.850 GHz
	等效全向辐射功率 (EIRP)	OcuSync 2.4 GHz SRRC/CE/MIC/KCC: < 20 dBm; FCC/NCC: < 26 dBm
		5.8 GHz SRRC/NCC/FCC: < 26 dBm; CE: < 14 dBm
		Wi-Fi 2.4 GHz SRRC/CE/MIC/KCC: < 20 dBm; FCC/NCC: < 22 dBm
5.8 GHz SRRC/NCC/FCC: < 22 dBm		
OcuSync 通信距离	工作模式 1 / 工作模式 3 SRRC/NCC/FCC/MIC/KCC/CE: 2 km (无干扰、无遮挡; 作为移动基站时, D-RTK 2 移动站架设高度即天线至三脚架末端的高度为 1.8 m, 与遥控器的高度差在 2 m 内, 遥控器距地面高度为 1.2 m)	
	工作模式 4 飞行器与移动站: NCC/FCC: 7 km; SRRC/MIC/KCC/CE: 5 km 遥控器与移动站: 200 m (无干扰、无遮挡, 飞行高度约 120 m, 移动站架设高度即天线至三脚架末端的高度为 1.8 m, 遥控器距地面高度为 1.2 m)	
	工作模式 5 NCC/FCC: 12 km, SRRC/MIC/KCC/CE: 6 km (无干扰、无遮挡, D-RTK 2 移动站架设高度即天线至三脚架末端的高度为 1.8 m)	
内存容量	16G	
惯性测量单元	功能特性	内置高精度 6 轴加速度计 D-RTK 2 移动监测 倾斜测量 电子气泡
电气特性	功耗	12 W
	电源	16.5 至 58.8VDC
	电池	类型: 锂离子电池 容量: 4920 mAh 能量: 37.3 WH
		工作时间

物理特性	尺寸 (D-RTK 2 主体 + 延长杆)	168 mm × 168 mm × 1708 mm
	防尘防水	IP65
工作环境温度	-20°C 至 55°C	

固件升级

D-RTK 2 移动站可以使用调参软件或 App* 进行固件升级。以下使用 DJI Assistant 2 调参软件对 D-RTK 2 移动站进行升级。

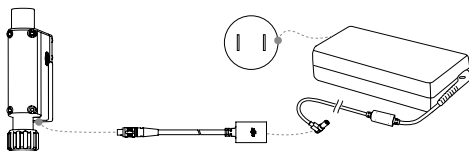
1. 开启 D-RTK 2 移动站电源。
2. 使用 USB-C 线连接 D-RTK 2 移动站的 USB-C 接口至电脑。
3. 启动 DJI Assistant 2 调参软件，使用 DJI 账号登陆并进入主界面。
4. 点击 D-RTK 2，然后点击左边的固件升级选项。
5. 选择并确认需要升级的固件版本。
6. DJI Assistant 2 调参软件将自行下载并升级固件。

* 需配合支持固件升级的 App 版本。

部分配件使用方法

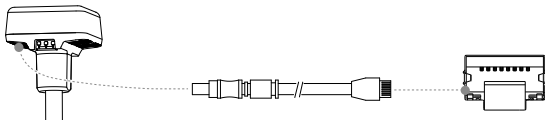
使用电源适配器转接线

将电源适配器转接线一端连接至 D-RTK 2 移动站的外部电源接口，另一端连接至电源适配器，再使用 AC 电源线连接到交流电源（100-240V，50/60Hz）。



使用 LAN 线

当需要通过网线接入公网时，请使用 LAN 线连接。



⚠ 卫星定位信息接入公网时，务必符合当地法律法规要求。

内容如有更新，恕不另行通知。

您可以在 DJI 官方网站查询最新版本

<http://www.dji.com/d-rtk-2>

免責聲明

感謝您購買 D-RTK™ 2 高精度 GNSS 移動站（簡稱 D-RTK 2 移動站）。使用之前，請仔細閱讀本聲明，一旦使用，即視為認同並接受本聲明全部內容。請嚴格遵守本說明指示安裝和使用該產品，且務必重視注意事項。因使用者不當使用、安裝、改裝（包括但不限於使用非 DJI 指定的零配件）造成的任何損失，深圳市大疆™ 創新科技有限公司及其附屬公司概不負責。

DJI™ 是深圳市大疆創新科技有限公司及其附屬公司的商標。本文出現的產品名稱、品牌等，均為其所屬公司的商標或註冊商標。本產品及文件為深圳市大疆創新科技有限公司版權所有。未經許可，不得以任何形式複製翻印。

關於不同語言版本的免責聲明可能存在的語義差異，中國以中文版為準，其他地區悉依英文版為準。

注意事項

1. 為提高電池使用壽命，關閉 D-RTK 2 移動站後，請及時取出其中的智能電池。
2. 根據當地無線電規定使用對應頻段的 D-RTK 2 移動站，並遵守當地無線電法律法規。
3. 安裝時切勿過度彎曲和摺疊線材。
4. 安裝和擺放時，務必確保 D-RTK 2 移動站與水平面相對水平。
5. 在開闊、不受無線電干擾的環境中使用 D-RTK 2 移動站。務必在關閉其他同頻段的無線設備（如對講機等）後再使用。
6. 使用過程中請確保所有設備的天線均不受遮擋。
7. 使用原廠配件或經過 DJI 認證的配件。使用非原廠配件可能對系統的安全使用造成危險。
8. 確保零組件內部沒有進入任何異物（如：水、油等液體，沙土等）。
9. 切勿自行拆下出廠時已安裝的任何零組件。
10. 延長桿底部及三腳架底部較為尖銳，使用時務必小心。
11. 雨雪天氣時使用，請對 D-RTK 2 移動站和電池採取必要的防水措施。雷電天氣請謹慎使用，注意防雷。

簡介

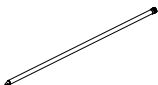
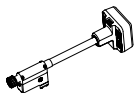
D-RTK 2 高精度 GNSS 移動站是一款高精度衛星訊號接收機，支援 GPS、BEIDOU、GLONASS 和 Galileo 4 系統 11 頻*的衛星訊號接收，同時內置 OCUSYNC™、LAN、4G 等數據傳輸連線，方便用戶在不同應用場合使用。D-RTK 2 移動站可作為 RTK 移動基地台，將裝備有 DJI RTK 定位系統的飛行器（如大疆農業植保無人飛機 T20、T16、MG-1P RTK，PHANTOM™ 4 RTK，P4 Multispectral，MATRICE™ 300 RTK、Matrice 210 RTK V2 等）定位精確度由公尺級提升至公分級，而且提供強大的抗磁干擾能力，在高壓線、金屬建築等強磁干擾的環境下保障可靠的作業飛行。D-RTK 2 移動站作為手持測繪桿，用於手持測繪、工程放樣等其他用途，可實現更加精準的定點測量。另外，D-RTK 2 移動站還可以作為固定基地台，用來快速建立網路 RTK 服務**。

* 詳見規格參數。

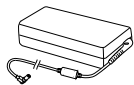
** 後續支援；網路 RTK 服務的建設必須符合當地法律法規和資質要求，DJI 僅提供技術服務。

物品清單

D-RTK 2 主體 × 1 延長桿 × 1 充電管家 × 1



電源轉接器 × 1 智能電池 (WB37) × 2 電池蓋 × 1

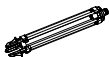


AC 電源線 × 1 USB-C 傳輸線 × 1 USB-C OTG 線 × 1 內六角扳手 × 1



可選配件

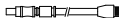
① 三腳架



② 電源轉接器轉接線



③ LAN 線



① 作為移動基地台使用時，用於固定 D-RTK 2 主體。

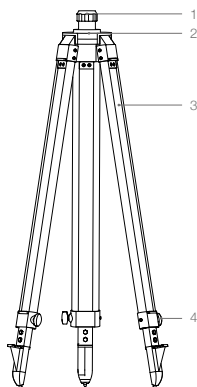
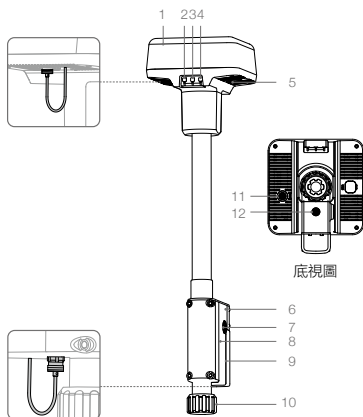
② 作為固定基地台使用時，連接至交流電源提供長時間供電。

③ 作為固定基地台使用時，連接 LAN 線透過有線網路連線到雲端伺服器。

零組件說明

D-RTK 2 主體

三腳架



1. 天線
2. 配對按鍵及指示燈
3. 電源按鍵及指示燈
4. 模式按鍵及指示燈
5. USB-C 連接埠
6. 無線網卡匣
7. 轉盤
8. 電池匣
9. 電池蓋
10. 鎖定螺母
11. LAN 連接埠*
12. 外部電源連接埠*

1. 套筒
2. 底座
3. 伸縮桿
4. 旋鈕

* 配備保護蓋，連接埠使用時取下保護蓋並保存好；連接埠未使用時請蓋好保護蓋以防水防塵。

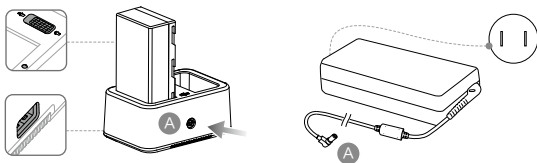
文中圖示可能與實物存在細微差別，請以實物為準。

準備

充電

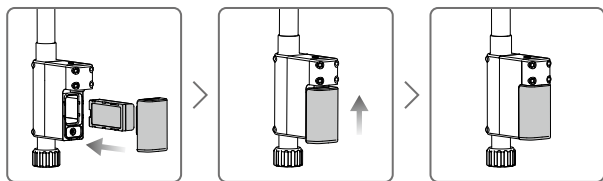
短按一次電池的電量按鍵，可查看電池電量。首次使用時，務必將電池充飽電。

1. 安裝電池到充電管家中，再將電源轉接器接頭插入充電管家的電源連接埠，最後連接充電器到交流電源 (100-240V, 50/60Hz)。
2. 充電過程中，充電管家會優先選擇電量較高的電池進行充電。
3. 充電管家綠燈閃爍表示正在充電，綠燈恆亮表示充電完畢。電池充飽時會有聲音提示，拔下電池或關閉蜂鳴器開關可停止聲音提示。



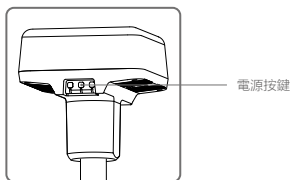
 參考《WCH2 充電管家使用說明》和《WB37 智能電池安全使用指引》，瞭解更多內容。

安裝電池



開啓 / 關閉 D-RTK 2 移動站

長按電源按鍵以開啓 / 關閉 D-RTK 2 移動站。



電源指示燈說明

紅燈恆亮	正在初始化/錯誤報警
快速閃爍紅燈	電量 < 20%
緩慢閃爍紅燈	接收衛星數量 ≤ 5 顆
黃燈恆亮	接收衛星數量 6-9 顆
綠燈恆亮	接收衛星數量 ≥ 10 顆

CHT

選擇工作模式

D-RTK 2 移動站共有 5 種工作模式，可配合不同產品使用。按照以下說明進行模式切換。

1. 長按模式按件 2 秒，模式狀態指示燈由綠色變為黃色，進入模式修改狀態。
2. 短按模式按鍵切換工作模式，修改後等待 2 秒進入該模式，指示燈由黃色變為綠色。指示燈周期內循環閃爍的次數表示不同的工作模式，詳見下表。
3. 若進入模式修改狀態後無操作，則 2 秒後自動退出並維持原模式。

模式	名稱及適用商品	閃燈
工作模式 1	移動基地台 (T20 / T16 / MG-1P RTK / Phantom 4 RTK / P4 Multispectral)	1 次
工作模式 2	固定基地台*	2 次
工作模式 3	手持測繪桿 (T20 / T16 / MG-1P RTK / Phantom 4 RTK)	3 次
工作模式 4	移動基地台 (M210 RTK V2)	4 次
工作模式 5	移動基地台 (廣播模式, M300 RTK)	5 次

* 後續支援。

使用

D-RTK 2 移動站配合不同產品使用時，操作方法類似。如無特殊說明，以下內容適用於對應工作模式的所有適用產品。

連接遙控器或航拍機


連接方法

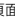
不同工作模式下的連接方法有所不同，具體操作如下。

工作模式 1


配合大疆農業植保無人飛機及 Phantom 4 RTK 使用


D-RTK 2 移動站需要在應用程式中與遙控器配對，下面以大疆農業應用程式為例進行說明。

1. 開啓 D-RTK 2 移動站電源，等待系統完成初始化，切換到工作模式 1。
2. 打開遙控器，確保顯示設備已執行大疆農業應用程式。
3. 點選「執行作業」進入作業界面，點選  > RTK，打開「航拍機 RTK 定位」。選擇 RTK 訊號源為「D-RTK 2 移動站」，然後點選「配對」。遙控器狀態指示燈藍色閃爍，並且發出「滴滴」提示音，表示進入配對狀態。
4. 短按一次 D-RTK 2 移動站上的配對按鍵，配對狀態指示燈紅綠交替閃爍表示進入配對狀態。
5. 配對成功，遙控器指示燈綠燈恆亮，D-RTK 2 移動站指示燈顯示目前工作模式下的狀態，詳見下表。

6. 遙控器與 D-RTK 2 移動站配對成功後，需要重新與飛行器配對。有以下三種方式：
- 與 D-RTK 2 移動站配對完成後，在彈出的窗口中點選「與飛行器配對」，進入與飛行器配對的狀態，按下飛行器配對按鍵以完成配對。
 - 在「RTK 設定」頁面，點選飛行器未連接提示旁邊的  按鈕，在彈出的窗口中點選「與飛行器配對」，進入與飛行器配對的狀態。
 - 在「遙控器設定」頁面進行與飛行器的配對。完成配對後，需在「RTK 設定」頁面 D-RTK 2 移動站狀態處點選「嘗試重連」重新連接 D-RTK 2，並確保狀態為「連接成功」，否則將無法使用 RTK 功能。

配合 P4 Multispectral 使用

1. 開啓 D-RTK 2 移動站電源，等待系統完成初始化，切換到工作模式 1。
2. 開啓遙控器，確保已執行 DJI GS Pro 應用程式。
3. 進入 DJI GS Pro 任務界面，點擊上方的  或 RTK 圖標進入 RTK 設定功能表，選擇 D-RTK 2 作為 RTK 訊號源，然後開啓功能表底部的航拍機 RTK 開關，否則航拍機將無法使用 RTK 數據。
4. 點擊「配對」，遙控器發出「滴滴」提示音後按下基地台的配對按鍵。
5. 配對成功，遙控器指示燈綠燈恆亮，D-RTK 2 移動站指示燈顯示目前工作模式下的狀態，詳見下表。

-
-  • 當 D-RTK 2 移動站已經連接遙控器，且遙控器正在控制飛行器作業時，D-RTK 2 移動站無法與其他遙控器進行配對，請等待飛行器降落並關閉電機後再進行配對。
- 一個 D-RTK 2 移動站最多可與 5 個遙控器配對。
-

工作模式 3

D-RTK 2 移動站需要與遙控器配對後，方可使用。

1. 開啓 D-RTK 2 移動站電源，等待系統完成初始化，切換到工作模式 3。
2. 開啓遙控器，進入應用程式的「遙控器設定」頁面，點擊「配對」。遙控器狀態指示燈藍燈閃爍，並且發出「滴滴」提示音，表示進入配對狀態。
3. 短按一次 D-RTK 2 移動站的配對按鍵，配對狀態指示燈紅綠交替閃爍表示進入配對狀態。
4. 配對成功，遙控器指示燈綠燈恆亮，D-RTK 2 移動站指示燈顯示目前工作模式下的狀態，詳見下表。


工作模式 4

D-RTK 2 移動站需要與 M210 RTK V2 航拍機配對後，方可使用。

1. 開啓 M210 RTK V2 航拍機，並確保已與遙控器配對。
2. 短按一次 D-RTK 2 移動站的配對按鍵，配對狀態指示燈紅綠交替閃爍表示進入配對狀態。
3. 短按一次航拍機上的配對按鍵。
4. 等待數秒後，航拍機及移動站的配對狀態指示燈均為綠燈恆亮，表示配對成功。

工作模式 5

配合 M300 RTK 使用時，需要遙控器加入 D-RTK 2 移動站的廣播網絡中，方可使用。

1. 開啓 D-RTK 2 移動站電源，等待系統完成初始化，切換到工作模式 5。
2. 開啓遙控器，進入 DJI Pilot 應用程式的 RTK 設定頁面，選擇 RTK 訊號源為「D-RTK 2 移動站」。
3. 點擊 D-RTK 2 移動站狀態右側的 ，系統自動進行搜尋，在搜尋結果列表中選擇所需的 RTK 基地站，等待連接成功。

配對狀態指示燈說明

進入配對狀態時，配對狀態指示燈將紅綠交替閃爍。

退出配對狀態時，配對狀態指示燈顯示如下：

工作模式 1 / 3 / 4	狀態
綠燈恆亮	OcuSync 訊號品質 > 70%
快速閃爍綠燈	OcuSync 訊號品質 35% - 70%
緩慢閃爍綠燈	OcuSync 訊號品質 ≤ 35%
紅燈恆亮	OcuSync 訊號品質 = 0
工作模式 2	狀態
綠燈恆亮	網路已連接
紅燈恆亮	網路未連接
工作模式 5	狀態
綠燈恆亮	正常運作

啟動

首次使用，需啟動 D-RTK 2 移動站。使用者可透過應用程式或 DJI ASSISTANT™ 2 調整軟體完成啟動，下面以應用程式為例進行說明。

配合大疆農業植保無人飛機及 Phantom 4 RTK 使用

1. 開啓 D-RTK 2 移動站電源。
2. 打開遙控器，確保顯示設備已執行應用程式。
3. 進入 RTK 設定頁面，打開「航拍機 RTK 定位」。選擇 RTK 訊號源為「D-RTK 2 移動站」，首次連接將會提示啟動，請根據彈出的引導進行啟動操作。

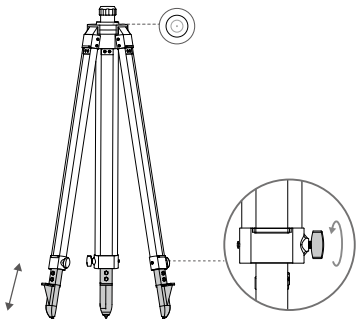
配合 M300 RTK 及 M210 RTK V2 使用

開啓 D-RTK 2 移動站電源，並確保已連接至航拍機或遙控器。執行 DJI Pilot 應用程式，按照應用程式提示進行啟動操作。

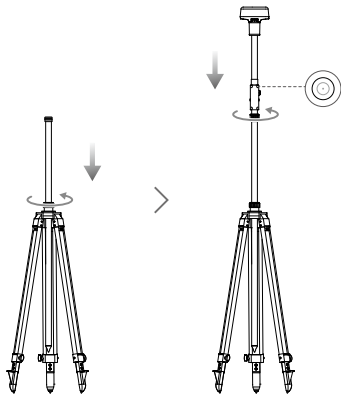
架設 D-RTK 2 移動站

作為移動基地台使用時，選擇視野開闊的地點架設 D-RTK 2 移動站並作標記（使三腳架的中心對準標記點中心），以便 D-RTK 2 移動站被移動後可以準確復位。

1. 撐開三腳架，將三根伸縮桿拉伸至合適長度，然後鎖緊旋鈕。確保基座上水平儀中的氣泡保持在黑色圓圈內（從水平儀垂直正上方觀察），同時確保三腳架穩固。



2. 安裝延長桿至三腳架，鎖緊三腳架上的套筒。安裝 D-RTK 2 主體至延長桿，鎖緊主體上的鎖定螺母。確保 D-RTK 2 移動站上水平儀中的氣泡保持在黑色圓圈內（從水平儀垂直正上方觀察）。



- 三腳架調至水平後，請勿改變三腳架或 D-RTK 2 移動站的位置及角度，否則需要重新調平。
- 移動站的架設環境要求視野開闊，確保 D-RTK 2 移動站天線周圍 15° 以上沒有障礙物（樹木、建築物），以避免 GNSS 訊號被吸收或遮擋。
- 移動站的架設環境應遠離大功率無線電發射源（如電視台、微波站等）至少 200 m，遠離高壓輸電線至少 50 m，以避免電磁場對 GNSS 訊號的干擾。
- 移動站的架設環境附近不應有大面積水域或強烈干擾衛星訊號接收的物體，否則會減弱多路徑效應的影響。

使用 D-RTK 2 移動站

D-RTK 2 移動站配合不同產品使用時，可選擇的工作模式有所不同，請根據配合的產品選擇工作模式，按以下說明進行使用。

使用方法

工作模式 1 / 工作模式 4

1. 升起延長桿調整 D-RTK 2 移動站至合適的高度，然後鎖緊套筒。
2. 開啓 D-RTK 2 移動站電源，等待系統完成初始化，切換到工作模式 1 或工作模式 4。
3. 開啟遙控器和航拍機電源，確保已執行應用程式。
4. 進入「RTK 設定」頁面，打開「航拍機 RTK 定位」，選取「D-RTK 2 移動站」作為 RTK 訊號源。查看「狀態」項是否為連接成功。若使用 P4 Multispectral 航拍機，點擊「連接」，與基地站建立連接。
5. 等待搜星，應用程式介面上方的 RTK 圖標顯示 FIX 或 RTK 設定頁面的狀態顯示列表中航拍機 RTK 的定向及定位狀態均為 FIX，可啟動馬達起飛。



航拍機飛行過程中，如果移動 D-RTK 2 移動站或關閉電源，則航拍機 RTK 會切換到 GNSS 模式，並且不會再次進入 RTK FIX 狀態。需要等待飛行結束後重啟電源，才能進入 RTK FIX 狀態。

工作模式 3

1. 開啓 D-RTK 2 移動站電源，等待系統完成初始化，切換到工作模式 3。
2. 開啓遙控器，確保已執行應用程式，主介面顯示已連接手持 RTK。
3. 在「RTK 設定」頁面，選擇手持測繪桿所需的 RTK 訊號源，確保作為手持測繪桿的 D-RTK 2 移動站與網格 RTK 或另一台作為基地站的 D-RTK 2 移動站已建立連接。
4. 選擇規劃方式為手持 RTK 進行作業規劃。

工作模式 5

1. 開啓 D-RTK 2 移動站電源，等待系統完成初始化，切換到工作模式 5。
2. 確保遙控器已連接到 D-RTK 2 移動站的廣播網絡。
3. 等待搜星，在 RTK 設定頁面的狀態顯示列表中，航拍機 RTK 的定向及定位狀態均為 FIX，可啟動馬達起飛。

進階設定

工作模式 1 / 3 / 4

1. 在 RTK 設定頁面，點擊「進階設定」，進入進階設定。
2. 配合不同產品使用時，設定項有所不同，包括管理與移動站配對的遙控器 ID 列表、查看及修改設備名稱等。
3. 當移動站做基地台時，可以輸入已有坐標，從而使基地台的坐標定位為已知的坐標和海拔*。

工作模式 5

1. 在 RTK 設定頁面，點擊「進階設定」，輸入管理員密碼，進入進階設定。初始密碼為 123456。
2. 修改移動站名稱及管理員密碼。
3. 當移動站做基地台時，可以輸入已有坐標，從而使基地台的坐標定位為已知的坐標和海拔*。
4. 使用者還可透過以下操作重設密碼：長按移動站的配對按鍵 3 秒以上，再短按模式按件，模式狀態指示燈由綠燈閃爍變為紅燈閃爍，表示密碼重設成功。

* 在應用程式中輸入坐標時，若 D-RTK 2 移動站實際定位坐標與輸入坐標距離超過 50 m（工作模式 1）或 15 m（工作模式 4 / 5），則無法寫入坐標。

若在成功寫入坐標後重啓 D-RTK 2 移動站，當實際定位坐標與輸入坐標距離在 5 m 內，則使用之前透過應用程式寫入的坐標。否則，將使用目前定位的坐標。

附錄

規格參數

GNSS 接收機	衛星接收頻點	同時接收: GPS: L1, L2, L5 BeiDou: B1, B2, B3 GLONASS: F1, F2 Galileo: E1, E5A, E5B
	定位精確度	單點 水平: 1.5 m (RMS) 垂直: 3.0 m (RMS) RTK 水平: 1 cm+1 ppm (RMS) 垂直: 2 cm+1 ppm (RMS) 1 ppm: 每增加 1 km, 精確度變差 1 mm。 例如距離基地台 1 km, 則精確度為 1.1 cm。
	定位更新率	1 Hz, 2 Hz, 5 Hz, 10 Hz 和 20 Hz
	冷啟動	< 45 s
	熱啟動	< 10 s
	重捕獲	< 1 s
	初始化可靠性	> 99.9%
	差分數據傳輸格式	RTCM 2.X/3.X
通訊和 儲存資料	數據連線	OcuSync, LAN, 4G, Wi-Fi
	運作頻率	2.4000-2.4835 GHz; 5.725-5.850 GHz
	等效全向輻射功率 (EIRP)	OcuSync 2.4 GHz SRRC/CE/MIC/KCC: < 20 dBm; FCC/NCC: < 26 dBm 5.8 GHz SRRC/NCC/FCC: < 26 dBm; CE: < 14 dBm Wi-Fi 2.4 GHz SRRC/CE/MIC/KCC: < 20 dBm; FCC/NCC: < 22 dBm 5.8 GHz SRRC/NCC/FCC: < 22 dBm

通訊和 儲存資料	OcuSync 通訊距離	<p>工作模式 1 / 工作模式 3</p> <p>SRRC/NCC/FCC/MIC/KCC/CE: 2 km</p> <p>(無干擾、無遮擋; 作為移動基地站時, D-RTK 2 移動站架設高度即天線至三腳架末端的高度為 1.8 m, 與遙控器的高度差在 2 m 內, 遙控器距地面高度為 1.2 m)</p> <p>工作模式 4</p> <p>航拍機與移動站:</p> <p>NCC/FCC: 7 km; SRRC/MIC/KCC/CE: 5 km</p> <p>遙控器與移動站: 200 m</p> <p>(無干擾、無遮擋, 飛行高度約 120 m, 移動站架設高度即天線至三腳架末端的高度為 1.8 m, 遙控器距地面高度為 1.2 m)</p> <p>工作模式 5</p> <p>NCC/FCC: 12 km, SRRC/MIC/KCC/CE: 6 km</p> <p>(無干擾、無遮擋, D-RTK 2 移動站架設高度即天線至三腳架末端的高度為 1.8 m)</p>
	內存容量	16G
慣性測量 單元	功能特性	<p>內置高精度 6 軸加速度計</p> <p>D-RTK 2 移動監測</p> <p>傾斜測量</p> <p>電子氣泡</p>
電氣特性	功率消耗	12 W
	電源	16.5 至 58.8 VDC
	電池	<p>類型: 鋰電池</p> <p>容量: 4920 mAh</p> <p>能量: 37.3 WH</p>
	工作時間	WB37 電池: > 2 h
物理特性	尺寸 (D-RTK 2 主體 + 延長桿)	168 mm × 168 mm × 1708 mm
	防塵防水	IP65
操作環境 溫度	-20°C 至 55°C	

韌體升級

D-RTK 2 移動站可以使用調整軟體或應用程式*進行韌體升級。以下使用 DJI Assistant 2 調整軟體對 D-RTK 2 移動站進行升級。

1. 開啟 D-RTK 2 移動站電源。
2. 使用 USB-C 傳輸線連接 D-RTK 2 移動站的 USB-C 連接埠至電腦。
3. 啟動 DJI Assistant 2 調整軟體, 接著使用 DJI 帳號登入以進入主介面。
4. 點選 D-RTK 2, 然後點選左邊的韌體升級選項。

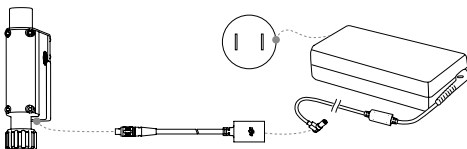
5. 選擇並確認需要升級的韌體版本。
6. DJI Assistant 2 調整軟體將自行下載並升級韌體。

* 需配合支援韌體升級的應用程式版本。

部分配件使用方法

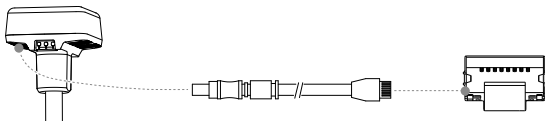
使用電源轉接器轉接線

將電源轉接器轉接線一端連接至 D-RTK 2 移動站的外部電源連接埠，另一端連接至電源轉接器，再使用 AC 電源線連接到交流電源（100-240V，50/60Hz）。



使用 LAN 線

當需要透過網線接入公網時，請使用 LAN 線連接。



⚠ 衛星定位訊息接入公網時，務必符合當地法律法規要求。

內容如有更新，恕不另行通知。

您可以在 DJI 官方網站查詢最新版本
<http://www.dji.com/d-rtk-2>

免責条項

D-RTK™ 2 高精度 GNSS モバイルステーション（以下「製品」という）をご購入いただき、ありがとうございます。本製品のご使用前に、この免責条項をよくお読みください。本製品を使用すると、この免責条項をすべて読み、同意したとみなされます。本製品をご使用の際は、マニュアルの記載事項を厳守し、警告にご注意ください。SZ DJI TECHNOLOGY CO., LTD. とその関連会社は、本製品が不適切な使用、取り付けまたは修理により、直接または間接的な原因で生じた物的損害または人的被害についていかなる責任も負いません。

DJI™ は、SZ DJI TECHNOLOGY CO., LTD.（以下「DJI」と省略）およびその関連会社の商標です。本書に記載されている製品、ブランドなどの名称は、その所有者である各社の商標または登録商標です。本製品および本書は、DJI の著作物であり、すべての権利は DJI に帰属します。DJI から書面による事前承認または許諾を得ることなく、本製品または本書のいかなる部分も、いかなる方法によっても複製することは固く禁じられています。

この免責条項は複数の言語で提供されています。各言語版の内容に相違がある場合、中国にて購入された製品については中国語版の内容が優先され、他の地域にて購入された製品については英語版の内容が優先されます。

警告

1. バッテリー寿命を最大化するため、未使用時は D-RTK 2 モバイルステーションからインテリジェントバッテリーを取り外してください。
2. D-RTK 2 は、対応する周波数帯域においてのみ、現地の法規制に従って使用してください。
3. ケーブルを過度に折り曲げたり、折りたたんだりしないでください。
4. D-RTK 2 モバイルステーションが、取り付けおよび配置時に完全に水平であることを確認します。
5. 操縦は無線干渉のない開けた環境でのみ行ってください。近接するデバイスの電源を、D-RTK 2 モバイルステーション（例：無線送受信機）と同じ周波数を使用してオフにしてください。
6. 使用するすべてのデバイスのアンテナは、使用時に遮断されていないことを確認してください。
7. DJI の純正部品または DJI が認定する部品のみをご使用ください。非純正の部品や DJI 認定メーカー以外が製造した部品を使用すると、システムに不具合が発生し、安全性が損なわれるおそれがあります。
8. D-RTK 2 モバイルステーションおよびその構成部品に異物（水、油、土、砂など）が付着していないことを確認してください。
9. 出荷前に取り付けられた D-RTK 2 モバイルステーションの部品を分解しないでください。
10. 延長ロッドとトライポッドの端は鋭くなっているため、お取り扱いの際はご注意ください。
11. D-RTK 2 モバイルステーションとバッテリーを雨や雪、雷雨による水分から保護するため、必要な対策を講じてください。悪天候の場合は慎重に操作してください。

はじめに

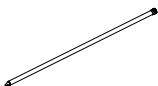
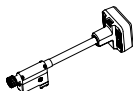
D-RTK 2 高精度 GNSS モバイルステーションは、高精度衛星信号受信装置で、次の 4 つの GNSS（全球測位衛星システム）に対応しています。GPS / BeiDou / GLONASS / Galileo の 11 バンド衛星信号* を受信内蔵型 OCUSYNC™、LAN、4G データ送信リンクは、さまざまな適用シーンで連続的で安定したデータ伝送を実現します。D-RTK 2 モバイルステーションは、DJI RTK ポジショニングシステム（Agras T20、T16、MG-1P RTK、Phantom 4 RTK、P4 Multispectral、MATRICE™ 300 RTK、または Matrice 210 RTK V2）を搭載する機体が、cm レベルの測位精度を実現するための RTK モバイルベースステーションとして使用できます。この機能は、例えば、高電圧電力線や金属性の建造物の近くといった、強い磁性干渉のある環境でも損なわれません。D-RTK 2 モバイルステーションは、測量や地図作成、ロフティング、またはその他のエンジニアリング用途で高精度な地点測位を実現するため、ハンドヘルド型の地図作成デバイスとしても使用することができます。さらに、D-RTK 2 モバイルステーションは、ネットワーク RTK サービス** をすばやく構築するため、据え置き型の RTK ベースステーションとしても使用できます。

* 詳細は仕様を参照してください。

** 今後対応予定 DJI は、技術サービスのみを提供しています。ユーザーは、ネットワーク RTK サービスを構築するための現地の法律、規制、要件を順守する必要があります。

同梱物

D-RTK 2 本体 x1 延長ロッド x1 充電ハブ x1



AC 電源アダプター x1 インテリジェントバッテリー (WB37) x2 バッテリーカバー x1

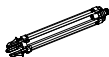


AC 電源ケーブル x1 USB-C ケーブル x1 USB-C OTG ケーブル x1 六角棒スパナ x1



別売品

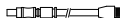
① トライポッド



② 電源アダプターケーブル



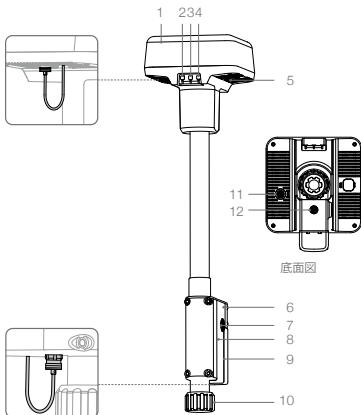
③ LAN ケーブル



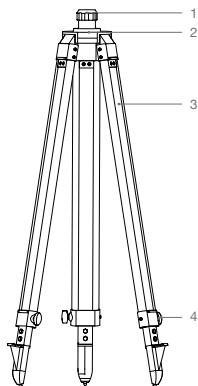
- ① D-RTK 2 モバイルステーションをモバイル ベース ステーションとして使用する場合、D-RTK 2 本体を支えるためにトライポッドを使用してください。
- ② D-RTK 2 モバイルステーションを据え置き型ベースステーションとして使用する場合は、電源アダプターケーブルと AC 電源アダプターを使用して AC 電源に接続して長期間電源を供給してください。
- ③ D-RTK 2 モバイルステーションを据え置き型ベースステーションとして使用する場合は、LAN ケーブルを使用してクラウドサーバーにアクセスします。

概要

D-RTK2 本体



トライポッド



1. アンテナ
2. リンクボタンおよびインジケータ
3. 電源ボタンおよびインジケータ
4. 操作モードボタンおよびインジケータ
5. USB-C ポート
6. ドングル収納部
7. ロゼットマウント
8. バッテリー収納部
9. バッテリーカバー
10. ロックナット
11. LAN ポート*
12. 外部電源ポート*

1. スリーブ
2. マウントベース
3. 脚（伸縮式）
4. ノブ

* ユニットの使用中に収納可能な保護カバー付き。未使用時は、ポートをカバーしてユニットを湿気や粉塵から保護してください。

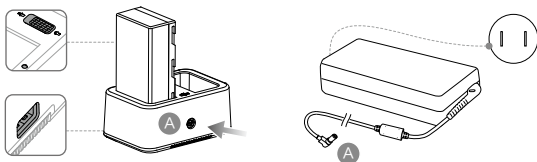
本書のイラストは実際の商品と多少異なる場合があります。実物を参照してください。

準備

バッテリーの充電

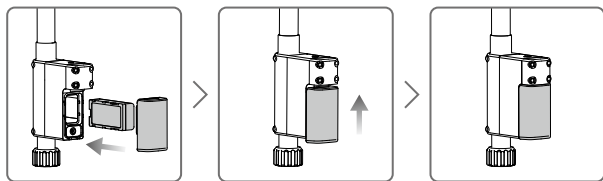
バッテリー残量を確認するには、バッテリー残量ボタンを1回押します。初回使用時にはバッテリーを完全に充電してください。

1. バッテリーを充電ハブに入れ、AC電源アダプターを充電ハブに接続し、AC電源アダプターを電源コンセント（100 - 240 V、50 / 60 Hz）に接続します。
2. 充電ハブは、バッテリー残量の多いバッテリーから順にスマートに充電します。
3. ステータスLEDは充電時に緑色に点滅し、完全に充電されると緑色に点灯します。充電が完了すると、ブザーが鳴り始めます。バッテリーを取り外すか、ブザーをオフにして止めます。



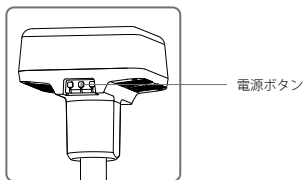
詳細については、WCH2 充電ハブユーザーガイドおよびWB37 インテリジェントバッテリー安全ガイドラインを参照してください。

バッテリーの取り付け



D-RTK 2 モバイルステーションの電源のオン/オフ

電源ボタンを長押しして、D-RTK 2 モバイルステーションをオン/オフにします。



電源インジケータの説明

赤色点灯	システム初期化/エラー通知
赤色にすばやく点滅	バッテリー残量が20%未満
赤色でゆっくり点滅	受信した衛星信号5個以下
黄色点灯	受信した衛星信号6～9個
緑色点灯	受信した衛星信号10個以上

操作モード

D-RTK 2 モバイルステーションには、さまざまな製品で使用する5つの操作モードが搭載されています。以下の手順に従うとモードを切り替えられます。

1. 操作モードボタンを2秒間長押しします。インジケータが緑色から黄色に変わり、デバイスがモード切替ステータスに入ったことがわかります。
2. 操作モードボタンを1回押すとモードが切り替わります。デバイスが対応するモードに入るまで2秒間待ちます。インジケータが黄色から緑色に変わります。操作モードは、インジケータの点滅パターンによって示されます。以下の表を参照してください。
3. モード切替ステータスで2秒間操作がない場合、デバイスは元のモードのままになります。

モード	名前および互換性のある製品	点滅パターン
操作モード 1	モバイル ベース ステーション (T20/T16/MG-1P RTK/Phantom 4 RTK/P4 Multispectral)	1 回
操作モード 2	据え置き型ベースステーション*	2 回
操作モード 3	ハンドヘルド型地図作成デバイス (T20/T16/MG-1P RTK/Phantom 4 RTK)	3 回
操作モード 4	モバイル ベース ステーション (M210 RTK V2)	4 回
操作モード 5	モバイル ベース ステーション (放送モード、M300 RTK)	5 回

* 今後対応予定

D-RTK 2 モバイルステーションの使用方法

D-RTK 2 モバイルステーションをさまざまな製品と使用する際、操作は同様です。特段の定めがない限り、以下の説明は対応するモードで稼働するすべての製品と互換性があります。

送信機または機体への接続


接続方法

接続方法は操作モードによって異なります。以下の手順を参照してください。

操作モード 1


Agras と Phantom 4 RTK の機体での使用

D-RTK 2 モバイルデバイスステーションはアプリで送信機に接続する必要があります。次の説明では、例として DJI Agras アプリを使用しています。

1. D-RTK 2 モバイルステーションの電源をオンにして、システムの初期化が完了するまで待ち、操作モード 1 に入ります。
2. 送信機の電源をオンにしてアプリが開始したことを確認します。
3. アプリで操作ビュー >  > RTK へ移動し、機体 RTK 機能を有効にします。D-RTK 2 モバイルステーションに RTK 信号送信元を選択します。次に、画面下の [リンク] をタップします。送信機のステータスインジケータが青色で点滅、送信機からピープ音が鳴り、送信機がリンクされていることが示されます。
4. D-RTK 2 モバイルステーションのリンクボタンを押すと、リンクインジケータが赤色と緑色で交互に点滅し、D-RTK 2 モバイルステーションがリンクされていることを示します。
5. 送信機のインジケータライトが緑色に点灯し、リンクが成功したことを示します。D-RTK 2 リンクインジケータは、現在の動作状態を示します。詳細については、下記の表を参照してください。

- 送信機が D-RTK 2 モバイルステーションにリンクされた後に、送信機と機体を再度リンクする必要があります。これを実行する方法は3つあります：
 - 送信機を D-RTK 2 モバイルステーションにリンクした後、ポップアップウィンドウに表示される機体とリンクをタップして機体にリンクします。次に、機体のリンクボタンを押してリンクを終了します。
 - RTK 設定ページで、機体が接続されていないことを示すプロンプトの横にある②ボタンをタップし、その後、ポップアップウィンドウ内の機体とのリンクをタップして機体にリンクします。
 - 送信機を RC 設定ページの機体にリンクします。完了したら、RTK 設定ページに移動し、D-RTK 2 ステータスの横にある再接続するをタップして D-RTK 2 に再接続します。RTK 機能が作動するには、D-RTK 2 ステータスが接続完了を示している必要があります。

P4 Multispectral の機体での使用

- D-RTK 2 モバイルステーションの電源をオンにして、システムの初期化が完了するまで待ち、操作モード 1 に入ります。
- 送信機の電源をオンにして DJI GS Pro アプリが開始したことを確認します。
- DJI GS Pro のミッションページより、 アイコンをタップする、または画面上部の RTK をタップして RTK 設定メニューに移動し、RTK 信号送信元として D-RTK 2 を選択します。メニューの下部で機体の RTK を有効にし、機体が RTK データにアクセスできるようにします。
- [リンク] をタップします。送信機からピープ音が鳴り始めます。次に、モバイルステーションのリンクボタンを押します。
- 送信機のインジケータライトが緑色に点灯し、リンクが成功したことを示します。D-RTK 2 リンクインジケータは、現在の動作状態を示します。詳細については下の表を参照してください。



- D-RTK 2 モバイルステーションが送信機に接続されており、機体が送信機によって制御されている際は、D-RTK 2 モバイルステーションは他の送信機とリンクできません。必要な場合は、機体が着地してモーターが停止した後でリンクしてください。
- D-RTK 2 モバイルステーション 1 台で、最大 5 台の送信機とリンクできます。

操作モード 3

D-RTK 2 モバイルデバイスステーションは送信機に接続する必要があります。

- D-RTK 2 モバイルステーションの電源をオンにして、システムの初期化が完了するまで待ち、操作モード 3 に入ります。
- 送信機の電源を入れます。アプリの [送信機設定] に移動して [リンク] をタップします。ステータス LED が青色に点滅して、送信機が 2 回のピープ音を繰り返すと、機体とのリンク待機状態になります。
- D-RTK 2 モバイルステーションのリンクボタンを押すと、リンクインジケータが赤色と緑色で交互に点滅し、D-RTK 2 モバイルステーションがリンクされていることを示します。
- 送信機のインジケータライトが緑色に点灯し、リンクが成功したことを示します。D-RTK 2 リンクインジケータは、現在の動作状態を示します。詳細については下の表を参照してください。

操作モード 4

D-RTK 2 モバイルステーションは M210 RTK V2 の機体に接続する必要があります。

- M210 RTK V2 の機体の電源を入れ、機体が送信機にリンクされていることを確認します。
- D-RTK 2 モバイルステーションのリンクボタンを押すと、リンクインジケータが赤色と緑色で交互に点滅し、D-RTK 2 モバイルステーションがリンクされていることを示します。
- 機体の [リンク] ボタンを押します。
- 数秒間待ちます。機体とモバイルステーションの両方でインジケータライトが緑色に点灯すると、リンク完了です。

操作モード 5

M300 RTK で使用する際に、送信機を D-RTK 2 モバイルステーションのネット配信に追加する必要があります。

- D-RTK 2 モバイルステーションの電源をオンにして、システムの初期化が完了するまで待ち、操作モード 5 に入ります。
- 送信機の電源を入れます。DJI Pilot アプリの [RTK 設定] に移動し、RTK 信号送信元を D-RTK 2 モバイルステーションに設定します。
- D-RTK 2 モバイルステーションのステータス表示の右側にある▶をタップすると、検索が自動的に開始します。検索結果にある希望の RTK ベースステーションを選択し、接続が完了するまで待ちます。

リンクインジケータの説明

リンク処理が開始すると、インジケータは赤色と緑色に交互に点滅します。
リンク処理が終了すると、インジケータは以下の点滅パターンを示します。

操作モード 1/3/4	状態
緑色点灯	OcuSync 信号品質 >70%
緑色ですばやく点滅	OcuSync 信号品質 35% ~ 70%
緑色でゆっくり点滅	OcuSync 信号品質 ≤ 35%
赤色点灯	OcuSync 信号品質 = 0
操作モード 2	状態
緑色点灯	ネットワーク接続
赤色点灯	ネットワーク切断
操作モード 5	状態
緑色点灯	通常動作中

アクティベーション

初回使用前に、D-RTK 2 モバイルステーションをアクティベーションしてください。アクティベーションは、アプリまたは DJI ASSISTANT™ 2 ソフトウェアで実行できます。次の説明は、例としてアプリを使用します。

Agras と Phantom 4 RTK の機体での使用

1. D-RTK 2 モバイルステーションの電源をオンにします。
2. 送信機の電源をオンにしてアプリが開始したことを確認します。
3. アプリで、[RTK 設定] に移動して機体の RTK 機能を有効にします。D-RTK 2 モバイルステーションに RTK 信号送信元を選択します。初めて接続する場合は、アクティベーションするためのプロンプトが表示されます。アクティベーションするには、画面上の手順に従ってください。

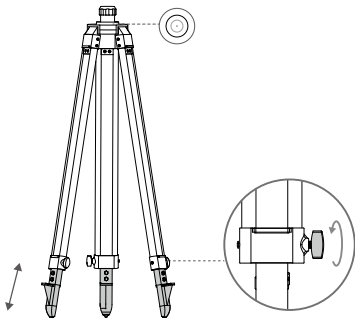
M300 RTK または M210 RTK V2 の機体との使用

モバイルステーションの電源をオンにし、機体または送信機にリンクされていることを確認します。DJI Pilot アプリを起動し、画面に表示されている手順に従ってアクティベーションを行います。

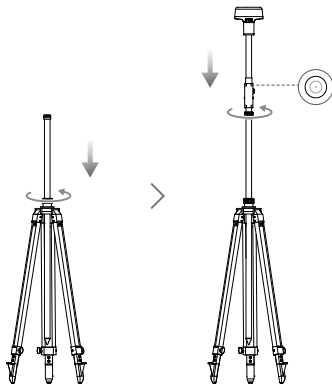
セットアップ

モバイル ベース ステーションとして使用する場合は、D-RTK 2 モバイルステーションを設置する開けた場所を選びます。位置に印を付け、トライポッドの中心をその位置に調整します。D-RTK 2 モバイルステーションをぴったり同じ位置に設置します。

1. トライポッドを展開し、3本の脚を希望する長さに伸ばし、それぞれのノブで締め付けます。トライポッドの安定を保ちながら、マウントベース上の気泡水準器の気泡が黒い円の中（気泡水準器の上部から垂直に見て）にあることを確認します。



2. 延長ロッドをトライポッドに挿入し、トライポッドのスリーブを締め付けます。次に、D-RTK 2 本体を延長ロッドに取り付け、D-RTK 2 本体のロックナットを締め付けます。D-RTK 2 上の気泡水準器の気泡が黒い円の中（気泡水準器の上部から垂直に見て）にあることを確認します。



- トライポッドが水平になった後、トライポッドまたは D-RTK 2 モバイルステーションの位置または角度を変更しないでください。変更した場合は再調整する必要があります。
- 設置環境には、広い視野が必要です。GNSS 信号の吸収または遮断を防ぐため、D-RTK 2 アンテナの水平平面上 15° 以上の区域内に障害物（木や建物）がないことを確認します。
- 設置場所は、GNSS 信号への電磁干渉を避けるため、高電力放射線源（テレビ局、マイクロ波局など）から少なくとも 200 m、高電圧伝送線から少なくとも 50 m 離れている必要があります。
- マルチパス効果を減らすため、設置場所は、衛星信号の受信を強く妨害する大面積の水面や物体から離れている必要があります。

使用方法

使用できる操作モードは、D-RTK 2 モバイルステーションで使用されている製品によって異なります。使用中の製品に応じて対応する操作モードを選択し、以下の手順に従ってください。

指示

操作モード 1/4

1. トライポッド内の延長ロッドを持ち上げて、D-RTK 2 モバイルステーションを希望する高さに調整し、スリーブを締め付けます。
2. D-RTK 2 モバイルステーションの電源をオンにして、システムの初期化が完了するまで待ち、操作モード 1 または 4 に入ります。
3. 送信機と機体の電源を入れ、アプリが起動していることを確認します。
4. アプリで、[RTK 設定] に移動して機体の RTK 機能を有効にします。D-RTK 2 モバイルステーションに RTK 信号送信元を選択し、ステータス表示で接続を確認します。P4 Multispectral の機体を使用する場合、[接続] をタップしてベースステーションとの接続を確立します。
5. システムが衛星の検索を開始するまで待ちます。RTK アイコンに FIX が表示されたら、または RTK 設定のステータステーブルで機体の向きと測位の両方のステータスに FIX が表示されたらモーターを起動します。



飛行中、D-RTK 2 モバイルステーションが移動したり電源がオフになっていたりすると、機体 RTK は GNSS モードに切り替わり、RTK FIX ステータスに戻りません。飛行後に D-RTK 2 モバイルステーションを再起動して、RTK FIX ステータスを開始するのを待ちます。

操作モード 3

1. D-RTK 2 モバイルステーションの電源をオンにして、システムの初期化が完了するまで待ち、操作モード 3 に入ります。
2. 送信機の電源をオンにしてアプリが開始したことを確認します。ホーム画面を確認してハンドヘルド型の地図作成デバイスが接続されていることを確認します。
3. [RTK 設定] で、ハンドヘルド型地図作成デバイスに RTK 信号送信元を選択します。ハンドヘルド型地図作成デバイスとして使用されている D-RTK 2 モバイルステーションが、ベースステーションまたはネットワーク RTK サーバーとして使用されている別の D-RTK 2 モバイルステーションに接続されていることを確認します。
4. 計画方法をハンドヘルド型 RTK に設定して操作計画を行います。

操作モード 5

1. D-RTK 2 モバイルステーションの電源をオンにして、システムの初期化が完了するまで待ち、操作モード 5 に入ります。
2. 送信機が D-RTK 2 モバイルステーションの放送ネットワークに接続されていることを確認します。
3. システムが衛星の検索を開始するまで待ちます。RTK 設定のステータステーブルで機体の向きと測位の両方のステータスに FIX が表示されたらモーターを起動します。

詳細設定

操作モード 1/3/4

1. [RTK 設定] の下部に移動し、[詳細設定] をタップします。
2. 設定は D-RTK 2 モバイルステーションで使用されている製品によって異なります。設定には、リンクされている送信機の一覧の管理、デバイス名の表示と編集が含まれます。
3. ベースステーションとして使用する場合は、測定済み座標と高度 * を入力して D-RTK 2 モバイルステーションに設定します。

操作モード 5

1. [RTK 設定] の下部に移動し、[詳細設定] をタップします。設定を入力するために管理者のパスワードを入力します。デフォルトのパスワードは、123456 です。
2. モバイルステーション名を編集してパスワードを変更します。
3. ベースステーションとして使用する場合は、測定済み座標と高度 * を入力して D-RTK 2 モバイルステーションに設定します。
4. 以下の手順に従ってパスワードをリセットできます。モバイルステーションにあるリンクボタンを 3 秒間長押しし、操作モードボタンを 1 回押します。操作モードインジケーターが赤色から緑色に変わると、パスワードが正常にリセットされたということです。

* アプリへの入力座標が、D-RTK 2 モバイルステーションの実際の座標から 50 m 超（操作モード 1 の場合）、または 15 m 超（操作モード 4 または 5 の場合）離れている場合はインポートされません。入力座標が正常に設定された後に D-RTK 2 モバイルステーションが再起動されると、実際の座標と設定座標が 5 m 未満の場合に限りこれらの座標が使用されます。それ以外の場合は、実際の測位座標が使用されます。

付録

仕様

GNSS レシーバー	GNSS 周波数	同時に受信： GPS：L1、L2、L5、BeiDou：B1、B2、B3 GLONASS：F1、F2、Galileo：E1、E5A、E5B
	測位精度	単一点 水平方向：1.5 m (RMS) 垂直方向：3.0 m (RMS) RTK 水平方向：1 cm + 1 ppm (RMS) 垂直方向：2 cm + 1 ppm (RMS) 1 ppm：距離が 1 km 増加すると、精度は 1 mm 低くなります。例えば、受信端がベースステーションから 1 km 離れている場合、水平精度は 1.1 cm です。

GNSS レシーバー	測位更新率	1 Hz、2 Hz、5 Hz、10 Hz および 20 Hz
	コールドスタート	45 秒未満
	ホットスタート	10 秒未満
	再取得時間	1 秒未満
	初期化の信頼性	99.9% 超
	差分データ形式	RTCM 2.x/3.x
通信 およびデータ ストレージ	データリンク	OcuSync、LAN、4G、Wi-Fi
	動作周波数	2.4000 ~ 2.4835 GHz 5.725 ~ 5.850 GHz (日本では 2.400 ~ 2.4835 GHz のみ)
	EIRP	OcuSync 2.4 GHz SRRC / CE / MIC (日本) / KCC : 20 dBm 未満 FCC / NCC : 26 dBm 未満 5.8 GHz SRRC / NCC / FCC : 26 dBm 未満、CE : 14 dBm 未満 Wi-Fi 2.4 GHz SRRC / CE / MIC (日本) / KCC : 20 dBm 未満 FCC / NCC : 22 dBm 未満 5.8 GHz SRRC / NCC / FCC : 22 dBm 未満
	OcuSync 通信距離	操作モード 1/3 SRRC / NCC / FCC / MIC (日本) / KCC / CE : 2 km (障害物や干渉がない状態で、D-RTK 2 モバイルステーションがデータベースステーションとして使用され、D-RTK 2 アンテナからトライポッドの底部までの距離が 1.8 m の場合、送信機と D-RTK 2 の高さの差が 2 m 未満の場合、および送信機が地面から 1.2 m の場合) 操作モード 4 機体とモバイルステーションの間： NCC / FCC : 7 km、SRRC / MIC (日本) / KCC / CE : 5 km 送信機とモバイルステーションの間：200 m (飛行高度約 120 m で障害物や干渉がない状態で、D-RTK 2 アンテナからトライポッドの底部までの距離が 1.8 m の場合、および送信機が地面から 1.2 m の場合) 操作モード 5 NCC / FCC : 12 km、SRRC / MIC (日本) / KCC / CE : 6 km (障害物や干渉がない状態で、D-RTK 2 アンテナからトライポッドの底部までの距離が 1.8 m の場合)
	メモリ容量	16 GB
IMU	特徴	高精度 6 軸加速度計内蔵 D-RTK 2 移動監視 勾配測定 電子気泡水準器
電気的特性	消費電力	12 W
	電源	16.5 ~ 58.8 VDC
	バッテリー	タイプ：リチウムイオンバッテリー 容量：4920 mAh 電力量：37.3 Wh
	駆動時間	WB37 バッテリー：> 2 時間
物理的特性	サイズ (延長ロッド付き D-RTK 2 本体)	168 mm × 168 mm × 1708 mm
	IP 等級	IP65
動作環境温度		-20°C ~ 55°C

ファームウェアの更新

DJI Assistant 2ソフトウェアまたはアプリ*で、D-RTK 2ファームウェアを更新します。以下の説明では例としてDJI Assistant 2ソフトウェアを使用します。

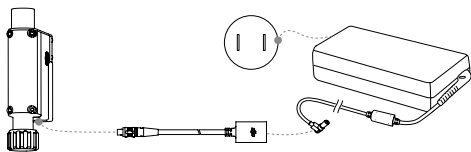
1. D-RTK 2 モバイルステーションの電源をオンにします。
2. USB-C ケーブルを介して、D-RTK 2 モバイルステーションをパソコンに接続します。
3. DJI Assistant 2 を起動し、DJI アカウントでログインします。
4. D-RTK 2 をクリックし、ファームウェア更新タグをクリックします。
5. 必要なファームウェアバージョンを選択します。
6. DJI Assistant 2 が自動的にファームウェアをダウンロードし、更新します。

*ファームウェアアップデートに対応するアプリバージョンが必要です。

アクセサリーの使用法

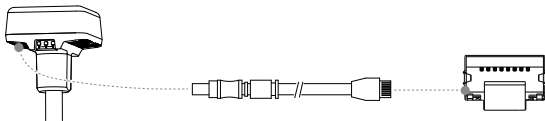
電源アダプターケーブル

電源アダプターケーブルを外部電源ポートに接続し、AC 電源ケーブルで電源アダプターを電源コンセント (100-240 V、50/60 Hz) に接続します。



LAN ケーブル

LAN ケーブルを使用して、パブリックネットワークにアクセスします。



パブリックネットワーク上で衛星測位情報を伝送する場合は、現地の法律や規制を遵守してください。

本内容は変更されることがあります。

最新版は下記よりダウンロードしてください。

<http://www.dji.com/d-rtk-2>

고지 사항

D-RTK™ 2 고정밀 GNSS 모바일 스테이션(이하 '제품')을 구매해 주셔서 감사합니다. 본 제품을 사용하기 전에 고지 사항을 주의 깊게 읽어 주십시오. 본 제품을 사용하는 것은 본 고지 사항에 동의하고 모든 내용을 읽은 것으로 간주합니다. 반드시 매뉴얼을 숙지한 후 제품을 사용하고 경고 사항에 주의를 기울이십시오. SZ DJI TECHNOLOGY CO., LTD와 해당 자회사는 지정되지 않은 액세서리의 사용을 포함하여(이에 국한되지 않음) 제품의 부적절한 사용, 설치 또는 수리로 인해 직접 또는 간접적으로 발생하는 손해 및 부상에 대해 어떠한 책임도 지지 않습니다.

DJI™는 SZ DJI TECHNOLOGY CO., LTD(약어로 'DJI')와 해당 자회사의 상표입니다. 본 매뉴얼에 표시된 제품 이름, 브랜드 등은 해당 소유 회사의 상표 또는 등록 상표입니다. DJI는 본 제품과 매뉴얼의 저작권과 함께 모든 권한을 보유합니다. 본 제품 또는 매뉴얼의 어떤 부분도 DJI의 서면 허가 또는 동의 없이 어떤 형식으로도 재생산할 수 없습니다.

이 고지 사항은 다양한 언어로 제공됩니다. 서로 다른 버전 간에 차이점이 있을 경우, 중국에서 제품 구매 시 중국어 버전이 우선적으로 적용되며, 기타 지역에서 제품 구매 시 영어 버전이 우선적으로 적용됩니다.

경고

1. 배터리 수명을 극대화하기 위해, 사용 중이 아닐 때는 D-RTK 2 모바일 스테이션에서 인텔리전트 배터리를 분리하십시오.
2. 해당 주파수 대역에서 그리고 현지 법률과 규정에 따라서만 D-RTK 2를 사용하십시오.
3. 케이블을 과도하게 구부리거나 접지 마십시오.
4. D-RTK 2 모바일 스테이션이 마운트되고 자리에 놓였을 때 완벽하게 수평이 이루어졌는지 확인하십시오.
5. 무선 간섭이 없는 개방된 공간에서만 작동하십시오. 근처에서 RTK 2 모바일 스테이션과 동일 주파수를 사용하는 기기(예: 무선기)를 끄십시오.
6. 안테나가 사용 중일 때 모든 다른 기기의 방해물 받지 않는지 확인하십시오.
7. DJI 순정 부품 또는 DJI에서 인증된 부품만 사용하십시오. 인증되지 않은 부품 또는 DJI 비공인 제조업체의 부품을 사용하면 시스템 오작동 및 안전성 저하의 원인이 될 수 있습니다.
8. D-RTK 2 모바일 스테이션과 구성품에 이물질(예: 물, 오일, 흙 및 모래)이 묻지 않도록 확인하십시오.
9. 배송 전에 이미 장착된 D-RTK 2 모바일 스테이션의 어떠한 부품도 분해하려고 시도하지 마십시오.
10. 확장 로드 및 삼각대의 날카로운 끝 부분은 주의해서 취급하십시오.
11. D-RTK 2 모바일 스테이션과 배터리가 비, 눈 및/또는 폭풍우로 인해 젖지 않도록 필요한 조치를 취하십시오. 약한 후 조건에서는 주의해서 작동하십시오.

소개

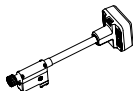
D-RTK 2 고정밀 GNSS 모바일 스테이션은 고정밀 위성 신호 수신기로서 4개의 글로벌 위성 항법 시스템인 GPS, BeiDou, GLONASS, Galileo로부터 11개의 위성 신호 대역* 수신을 지원합니다. 내장형 OCUSYNC™, LAN 및 4G 데이터 전송 링크로 다양한 응용 시나리오에서 끊임 없는 안정적인 데이터 전송을 보장합니다. D-RTK 2 모바일 스테이션을 RTK 모바일 베이스 스테이션으로 사용하여 DJI RTK 포지셔닝 시스템(예: Agras T20, T16, MG-1P RTK, Phantom 4 RTK, P4 Multispectral, MATRICE™ 300 RTK 또는 Matrice 210 RTK V2)이 장착된 기체의 포지셔닝 정확도를 센티미터 단위로 높일 수 있습니다. 강력한 자기장 간섭이 있는 환경(예: 고전압 전선 또는 금속 구조물 근처)에서도 기능이 저하되지 않습니다. D-RTK 2 모바일 스테이션은 핸드헬드 매핑 기기로도 사용할 수 있어 측량 및 매핑, 현도 제작 및 기타 엔지니어링 응용 작업 중 포인트 포지셔닝에서 향상된 정밀도를 달성할 수 있습니다. 또한 D-RTK 2 모바일 스테이션은 네트워크 RTK 서비스를 신속하게 구축할 수 있는 고정 RTK 베이스 스테이션으로 사용할 수 있습니다**.

* 자세한 내용은 사양을 참조하십시오.

** 추후 지원 예정. DJI는 기술 서비스만 지원하므로, 사용자가 네트워크 RTK 서비스 구축을 위한 현지 법률, 규정 및 요건을 준수해야 합니다.

구성품

D-RTK 2 본체 x1 확장 로드 x1 충전 허브 x1



AC 전원 어댑터 x1 인텔리전트 배터리(WB37) x2 배터리 커버 x1

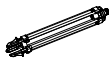


AC 전원 케이블 x1 USB-C 케이블 x1 USB-C OTG 케이블 x1 육각 렌치 x1



옵션 품목

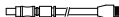
① 삼각대



② 전원 어댑터 케이블



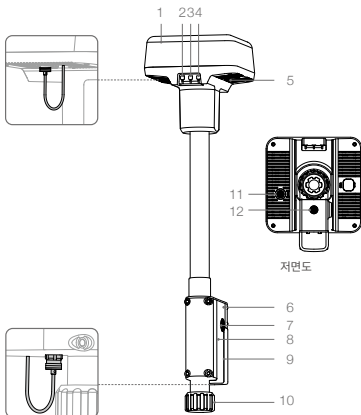
③ LAN 케이블



- ① D-RTK 2 모바일 스테이션을 모바일 베이스 스테이션으로 사용하는 경우 삼각대를 사용하여 D-RTK 2 본체를 지지하십시오.
- ② D-RTK 2 모바일 스테이션을 고정 베이스 스테이션으로 사용하는 경우 전원 어댑터 케이블과 AC 전원 어댑터를 사용하여 장기 전원 공급장치의 AC 전원에 연결합니다.
- ③ D-RTK 2 모바일 스테이션을 고정 모바일 스테이션으로 사용하는 경우 LAN 케이블을 사용하여 클라우드 서버에 액세스합니다.

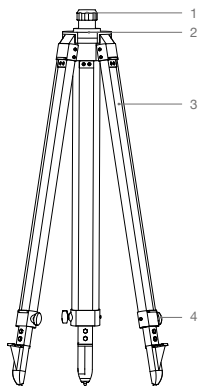
개요

D-RTK 2 본체



저면도

삼각대



1. 안테나
2. 연동 버튼 및 표시등
3. 전원 버튼 및 표시등
4. 작동 모드 버튼 및 표시등
5. USB-C 포트
6. 동글 함
7. Rosette 마운트
8. 배터리 함
9. 배터리 커버
10. 잠금 너트
11. LAN 포트*
12. 외부 전원 포트*

1. 슬리브
2. 마운트 베이스
3. 인입식 다리
4. 손잡이

* 장치를 사용 중일 때 보관할 수 있는 보호 커버가 장착됨. 사용하지 않을 때는 장치를 습기와 먼지로 부터 보호하기 위해 포트를 덮어두십시오.

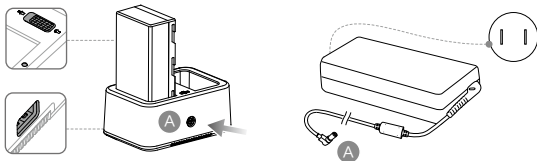
이 문서의 그림은 실제 제품과 약간 다를 수 있습니다. 실제 제품을 참조하십시오.


준비

배터리 충전

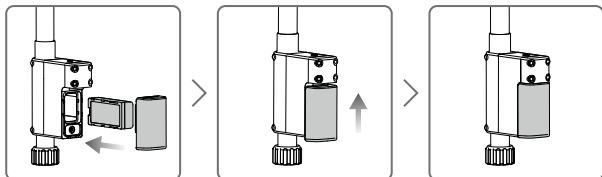
배터리 잔량 버튼을 한 번 눌러 배터리 잔량을 확인합니다. 배터리를 처음 사용하기 전에 완전히 충전합니다.

1. 배터리를 충전 허브에 넣고, AC 전원 어댑터를 충전 허브에 연결한 다음, AC 전원 어댑터를 전원 콘센트(100~240V, 50/60Hz)에 연결합니다.
2. 충전 허브는 배터리 잔량이 가장 높은 배터리부터 순서대로 충전합니다.
3. 상태 LED는 충전 중일 때 녹색으로 깜박이고 완전히 충전되면 계속 녹색으로 켜집니다. 충전이 완료되면 신호음이 울리기 시작합니다. 중지하려면 배터리를 분리하거나 버저를 끄십시오.



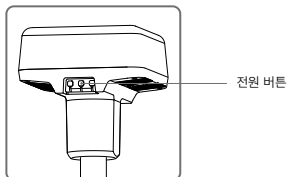
 자세한 내용은 WCH2 충전 허브 사용자 가이드 및 WB37 인텔리전트 배터리 안전 가이드를 참조하십시오.

배터리 장착



D-RTK 2 모바일 스테이션 켜기 / 끄기

D-RTK 2 모바일 스테이션의 전원을 켜고/끄려면 전원 버튼을 길게 누릅니다.



전원 표시등 설명

빨간색 유지	시스템 초기화 중/오류 알림
적색으로 빠르게 깜박임	배터리 잔량이 20% 미만
적색으로 느리게 깜박임	5개 이하의 위성에서 신호 수신함
노란색 유지	6~9개의 위성에서 신호 수신함
녹색 유지	10개 이상의 위성에서 신호 수신함

작동 모드

D-RTK 2 모바일 스테이션은 서로 다른 제품과 사용하기 위해 5개의 작동 모드를 제공합니다. 모드 사이를 전환하려면 아래 지침을 따르십시오.

1. 작동 모드 버튼을 2초 동안 누르십시오. 표시등이 녹색에서 노란색으로 바뀌어 기기가 모드 전환 상태로 들어갔음을 나타냅니다.
2. 모드를 전환하려면 작동 모드 버튼을 한 번 누릅니다. 기기가 해당 모드로 들어가도록 2초 동안 기다립니다. 표시등은 노란색에서 녹색으로 바뀝니다. 작동 모드는 표시등이 깜박이는 방식으로 표시됩니다. 아래 표를 참조하십시오.
3. 기기가 모드 전환 상태에 들어간 후 2초 내에 추가 작업이 없을 경우 원래 모드로 유지됩니다.

모드	이름 및 호환 제품	깜박임 패턴
작동 모드 1	모바일 베이스 스테이션 (T20/T16/MG-1P RTK/Phantom 4 RTK/P4 Multispectral)	한 번
작동 모드 2	고정 베이스 스테이션*	두 번
작동 모드 3	핸드헬드 매핑 기기 (T20/T16/MG-1P RTK/Phantom 4 RTK)	세 번
작동 모드 4	모바일 베이스 스테이션(M210 RTK V2)	네 번
작동 모드 5	모바일 베이스 스테이션(방송 모드, M300 RTK)	다섯 번

* 추후 지원 예정.

D-RTK 2 모바일 스테이션 사용 방법

D-RTK 2 모바일 스테이션과 다른 제품을 함께 사용하는 경우 작동은 비슷합니다. 달리 지정되지 않을 경우, 아래 설명은 해당 모드에서 작동하는 모든 제품에 호환됩니다.

조종기 또는 기체와 연결 중


연결 방식

연결 방식은 작동 모드에 따라 다릅니다. 아래 지침을 참조하십시오.

작동 모드 1

Agras 또는 Phantom 4 RTK 기체 사용


D-RTK 2 모바일 스테이션은 반드시 앱에서 조종기와 연동되어야 합니다. 다음 설명은 예로서 DJI Agras 앱을 사용합니다.

1. D-RTK 2 모바일 스테이션의 전원을 켜고, 시스템 초기화가 완료될 때까지 기다린 다음 작동 모드 1로 들어갑니다.
2. 조종기의 전원을 켜고 앱이 실행되었는지 확인합니다.
3. 앱에서, Operation View(작업 뷰) >  > RTK로 이동해 기체 RTK 기능을 활성화합니다. RTK 신호 소스를 D-RTK 2 모바일 스테이션으로 선택합니다. 그런 다음, 하단에 있는 Linking(연동)을 누릅니다. 조종기 상태 표시등이 파란색으로 깜박이고 조종기에서 신호음이 나오면 조종기가 연동되고 있음을 나타냅니다.
4. D-RTK 2 모바일 스테이션에서 Link(연동) 버튼을 누르면 연동 표시등은 빨간색과 녹색이 교대로 깜박이면서 D-RTK 2 모바일 스테이션이 연동되고 있음을 나타냅니다.
5. 조종기의 표시등이 녹색으로 유지되면 연동에 성공했다는 뜻입니다. D-RTK 2 연동 표시등은 현재 작동 상태를 표시합니다. 자세한 내용은 아래 표를 참조하십시오.

6. 조종기와 기체는 조종기가 D-RTK 2 모바일 스테이션과 연동된 후에 다시 연동되어야 합니다. 세 가지 방법으로 할 수 있습니다.

- 조종기가 D-RTK 2 모바일 스테이션과 연동한 후, 팝업 창에서 Link with Aircraft(기체와 연동)을 눌러 조종기를 기체에 연동시킵니다. 그런 다음, 기체에서 Link(연동) 버튼을 눌러 연동을 마칩니다.
- RTK 설정 페이지에서, 기체가 연결 해제되었다는 메시지 옆에 있는 ? 버튼을 누른 다음 팝업 창에서 Link with Aircraft(기체와 연동)을 눌러 기체와 연동합니다.
- RC 설정 페이지에서 기체와 조종기를 연동합니다. 연동이 완료되면 RTK 설정 페이지로 이동해 D-RTK 2 Status(D-RTK2 상태) 옆에 있는 Try to Reconnect(재연결 시도)를 눌러 D-RTK 2에 연결합니다. RTK 기능이 작동하려면 D-RTK 2 상태가 Connection Success(연결 성공)으로 표시되어야 합니다.

P4 Multispectral 기체 사용

1. D-RTK 2 모바일 스테이션의 전원을 켜고, 시스템 초기화가 완료될 때까지 기다린 다음 작동 모드 1로 들어갑니다.
2. 조종기의 전원을 켜고 DJI GS Pro 앱이 실행되었는지 확인합니다.
3. DJI GS Pro에서 Mission(임무) 페이지로 이동하여,  아이콘을 누르거나 화면 상단의 RTK를 눌러 RTK 설정 메뉴로 이동합니다. 그런 다음 RTK 신호 소스로 D-RTK 2를 선택합니다. 기체가 RTK 데이터에 액세스할 수 있도록 메뉴의 맨 아래에서 기체 RTK를 활성화합니다.
4. Link(연동)을 누릅니다. 조종기에서 신호음이 울리기 시작합니다. 그런 다음 모바일 스테이션의 연동 버튼을 누릅니다.
5. 조종기의 표시등이 녹색으로 유지되면 연동에 성공했다는 뜻입니다. D-RTK 2 연동 표시등은 현재 작동 상태를 표시합니다. 자세한 내용은 아래 표를 참조하십시오.



- D-RTK 2 모바일 스테이션이 조종기에 이미 연결되어 있고 그 조종기에 의해 기체가 제어되고 있는 동안에는 D-RTK 2 모바일 스테이션을 다른 조종기와 연동할 수 없습니다. 필요한 경우, 기체가 착륙하고 모터를 멈춘 후 연동시켜야 합니다.
- 한 개의 D-RTK 2 모바일 스테이션은 최대 5개의 조종기와 연동할 수 있습니다.

작동 모드 3

D-RTK 2 모바일 스테이션은 조종기에 연동되어 있어야 합니다.

1. D-RTK 2 모바일 스테이션의 전원을 켜고, 시스템 초기화가 완료될 때까지 기다린 다음 작동 모드 3으로 들어갑니다.
2. 조종기의 전원을 켭니다. 앱에서 Remote Controller Settings(조종기 설정)로 이동해 Linking(연동)을 누릅니다. 상태 LED가 파란색으로 깜박이며 조종기는 신호음을 두 번 반복해서 울려 조종기가 연동 준비가 되었음을 나타냅니다.
3. D-RTK 2 모바일 스테이션에서 Link(연동) 버튼을 누르면 연동 표시등은 빨간색과 녹색이 교대로 깜박이면서 D-RTK 2 모바일 스테이션이 연동되고 있음을 나타냅니다.
4. 조종기의 표시등이 녹색으로 유지되면 연동에 성공했다는 뜻입니다. D-RTK 2 연동 표시등은 현재 작동 상태를 표시합니다. 자세한 내용은 아래 표를 참조하십시오.

작동 모드 4

D-RTK 2 모바일 스테이션은 M210 RTK V2 기체에 연동되어야 합니다.

1. M210 RTK V2 기체의 전원을 켜고 조종기와 연동되었는지 확인합니다.
2. D-RTK 2 모바일 스테이션에서 Link(연동) 버튼을 누르면 연동 표시등은 빨간색과 녹색이 교대로 깜박이면서 D-RTK 2 모바일 스테이션이 연동되고 있음을 나타냅니다.
3. 기체에 있는 Link(연동) 버튼을 누릅니다.
4. 몇 초 동안 기다립니다. 기체와 모바일 스테이션 모두의 표시등이 계속 녹색이 될 경우 연동이 성공한 것입니다.

작동 모드 5

M300 RTK를 사용하는 경우, 조종기는 D-RTK 2 모바일 스테이션의 방송 네트워크에 연결해야 합니다.

1. D-RTK 2 모바일 스테이션의 전원을 켜고, 시스템 초기화가 완료될 때까지 기다린 다음 작동 모드 5로 들어갑니다.
2. 조종기의 전원을 켭니다. DJI Pilot 앱에서 RTK 설정으로 이동해 RTK 신호 소스를 D-RTK 2 모바일 스테이션으로 설정합니다.
3. D-RTK 2 모바일 스테이션 상태 디스플레이의 오른쪽에서 > 을 누르면 검색이 자동으로 시작됩니다. 검색 결과에서 원하는 RTK 베이스 스테이션을 선택하고 연결이 성공될 때까지 기다립니다.

연동 표시등 설명

연동 프로세스가 시작되면 표시등이 빨간색과 녹색으로 교대로 깜박입니다.

연동 과정이 완료되면 아래와 같은 표시등 깜박임 패턴이 보입니다.

작동 모드 1/3/4	상태
녹색 유지	OcuSync 신호 품질 >70%
녹색으로 빠르게 깜박임	Ocusync 신호 품질 35%~70%
녹색으로 느리게 깜박임	Ocusync 신호 품질 ≤35%
빨간색 유지	Ocusync 신호 품질 = 0
작동 모드 2	상태
녹색 유지	네트워크 연결됨
빨간색 유지	네트워크 연결이 끊김
작동 모드 5	상태
녹색 유지	정상 작동

활성화

처음 사용하기 전에 D-RTK 2 모바일 스테이션을 활성화하십시오. 앱 또는 DJI ASSISTANT™ 2 소프트웨어에서 활성화할 수 있습니다. 다음 설명은 예로 앱을 사용합니다.

Agras 또는 Phantom 4 RTK 기체 사용

1. D-RTK 2 모바일 스테이션의 전원을 켭니다.
2. 조종기의 전원을 켜고 앱이 실행되었는지 확인합니다.
3. 앱에서, RTK Settings(RTK 설정)로 이동해 기체 RTK 기능을 활성화합니다. RTK 신호 소스를 D-RTK 2 모바일 스테이션으로 선택합니다. 처음 연결할 때 활성화에 대한 프롬프트가 나타납니다. 활성화하려면 화면상의 단계를 따르십시오.

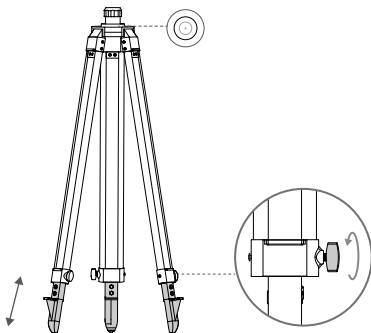
M300 RTK 또는 M210 RTK V2 기체 사용

모바일 스테이션의 전원을 켜고 기체 또는 조종기와 연동되었는지 확인합니다. DJI Pilot 앱을 실행하고 화면의 단계에 따라 활성화합니다.

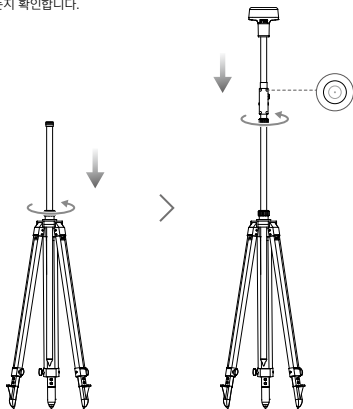
설정

모바일 베이스 스테이션으로 사용될 경우, 개방된 공간에서 D-RTK 2 모바일 스테이션을 설정합니다. 위치를 표시하고 삼각대의 중앙을 표시하여 D-RTK 2 모바일 스테이션이 동일한 위치에서 교체될 수 있도록 합니다.

1. 삼각대를 펼치고, 인입식 다리 3개를 원하는 길이로 늘린 다음 손잡이 3개를 각각 조입니다. 삼각대를 고정하면서 마운트 베이스에 있는 버블 레벨의 버블이 검은색 원(버블 레벨 상단에서 수직으로 보임) 안에 위치하는지 확인합니다.



2. 확장 로드를 삼각대에 삽입하고 삼각대의 슬리브를 조입니다. 그런 다음 D-RTK 2 본체를 확장 로드와 연결하고 D-RTK 2 본체의 잠금 너트를 조입니다. D-RTK 2에 있는 버블 레벨의 버블이 검은색 원(버블 레벨 상단에서 수직으로 보임) 안에 위치하는지 확인합니다.



- 삼각대가 레벨 상태가 된 후 삼각대 또는 D-RTK 2 모바일 스테이션의 위치 또는 각도를 변경하지 마십시오. 변경하는 경우 재조정해야 합니다.
- 설정 환경 시에는 시야가 좋아야 합니다. GNSS 신호가 흡수되거나 차단되지 않도록 구역 내에서 D-RTK 2 안테나의 수평 평면 위 15° 각도 이상 위치에 장애물(나무, 건물)이 없어야 합니다.
- 설정 위치는 GNSS 신호에 전자기 간섭을 방지하기 위해 고출력 전파 방출원(예: 텔레비전 방송국, 전파소 등)으로부터 200m 이상 그리고 고전압 전송 선로에서 50m 이상 떨어져 있어야 합니다.
- 설정 위치는 다중 경로 효과를 줄이기 위해 위성 신호 수신을 강하게 방해하는 큰 면적의 수역이나 물체에 서 떨어져 있어야 합니다.

사용법

이용 가능한 작동 모드는 D-RTK 2 모바일 스테이션과 사용된 제품에 따라 달라집니다. 사용 중인 제품에 따라 해당 작동 모드를 선택하고 아래 지침을 따르십시오.

지침

작동 모드 1/4

- D-RTK 2 모바일 스테이션을 원하는 높이로 조정하기 위해 삼각대에서 확장 로드를 들어 올리고 슬리브를 조입니다.
- D-RTK 2 모바일 스테이션의 전원을 켜고, 시스템 초기화가 완료될 때까지 기다린 다음 작동 모드 1 또는 4로 들어갑니다.
- 조종기와 기체의 전원을 켜고 앱이 실행되었는지 확인합니다.
- 앱에서, RTK Settings(RTK 설정)로 이동해 기체 RTK 기능을 활성화합니다. RTK 신호 소스를 D-RTK 2 모바일 스테이션으로 설정하고 상태 디스플레이에서 연결을 확인합니다. P4 Multispectral 기체를 사용 중인 경우, 베이스 스테이션과 연결을 위해 연결을 누릅니다.
- 시스템이 위성 검색을 시작하도록 기다립니다. RTK 아이콘이 FIX를 표시하거나 RTK 설정의 상태 표에서 기체의 방향 및 포지셔닝 모두의 상태가 FIX를 표시하는 경우 모터를 시작합니다.



비행 중에, D-RTK 2 모바일 스테이션이 이동하거나 전원이 꺼질 경우, 기체 RTK는 GNSS 모드로 전환하고 다시 RTK FIX 상태로 들어가지 않습니다. 비행 후 D-RTK 2 모바일 스테이션을 다시 시작하고 RTK FIX 상태로 들어갈 때까지 기다립니다.

작동 모드 3

1. D-RTK 2 모바일 스테이션의 전원을 켜고, 시스템 초기화가 완료될 때까지 기다린 다음 작동 모드 3으로 들어갑니다.
2. 조종기의 전원을 켜고 앱이 실행되었는지 확인합니다. 홈 화면에서 핸드헬드 매핑 기기가 연결되었는지 확인합니다.
3. RTK Settings(RTK 설정)에서, 핸드헬드 매핑 기기의 RTK 신호 소스를 선택합니다. 핸드헬드 매핑 기기로 사용된 D-RTK 2 모바일 스테이션이 베이스 스테이션이나 네트워크 RTK 서버로 사용된 또 다른 D-RTK 2 모바일 스테이션에 연결되는지 확인합니다.
4. 작동 계획을 위해 핸드헬드 RTK에 대한 계획 방식을 설정합니다.

작동 모드 5

1. D-RTK 2 모바일 스테이션의 전원을 켜고, 시스템 초기화가 완료될 때까지 기다린 다음 작동 모드 5로 들어갑니다.
2. 조종기가 D-RTK 2 모바일 스테이션의 방송 네트워크에 연결되었는지 확인합니다.
3. 시스템이 위성 검색을 시작하도록 기다립니다. RTK 설정의 상태 표에서 기체의 방향 및 포지셔닝 모두의 상태가 FIX를 표시하는 경우 모터를 시작합니다.

고급 설정

작동 모드 1/3/4

1. RTK Settings(RTK 설정)로 이동해 Advanced Settings(고급 설정)를 누릅니다.
2. 설정은 D-RTK 2 모바일 스테이션과 사용한 제품에 따라 달라집니다. 설정에는 연동된 조종기 목록 관리 및 기기 이름 보기와 편집이 포함됩니다.
3. 베이스 스테이션으로 사용 중인 경우 측정된 좌표와 고도*를 입력해 D-RTK 2 모바일 스테이션으로 설정합니다.

작동 모드 5

1. RTK Settings(RTK 설정)로 이동해 Advanced Settings(고급 설정)를 누릅니다. 관리자 비밀번호를 입력해 구성으로 들어갑니다. 기본 비밀번호는 123456입니다.
2. 모바일 스테이션의 이름을 입력하고 비밀번호를 변경합니다.
3. 베이스 스테이션으로 사용 중인 경우 측정된 좌표와 고도*를 입력해 D-RTK 2 모바일 스테이션으로 설정합니다.
4. 비밀번호는 아래 지침에 따라 재설정할 수 있습니다. 모바일 스테이션의 Link(연동) 버튼을 3초 동안 누른 다음 Operating Mode(작동 모드) 버튼을 한 번 누릅니다. 작동 모드 표시등이 빨간색에서 녹색으로 바뀌어 비밀번호가 성공적으로 재설정되었음을 나타냅니다.

* 앱에 입력한 좌표가 실제 D-RTK 2 모바일 스테이션에서 50m(작동 모드 1의 경우) 또는 15m(작동 모드 4 또는 5의 경우) 이상 떨어져 있는 경우 좌표를 가져오지 않습니다.

입력 좌표가 성공적으로 설정된 후 D-RTK 2 모바일 스테이션이 재시작된 경우, 이러한 좌표는 실제 좌표와 설정된 좌표 사이의 차이가 5m 미만일 경우에만 사용됩니다. 그렇지 않으면, 실제 포지셔닝 좌표가 사용됩니다.

부록

사양

	GNSS 주파수	동시 수신: GPS: L1, L2, L5; BeiDou: B1, B2, B3 GLONASS: F1, F2; Galileo: E1, E5A, E5B
GNSS 수신기	단일 지점 수평: 1.5 m (RMS) 수직: 3.0 m (RMS) RTK 수평: 1 cm + 1 ppm (RMS) 수직: 2 cm + 1 ppm (RMS) 1 ppm: 거리가 1km 증가할 때마다 정확도는 1mm 낮아집니다. 예를 들어, 수신측이 베이스 스테이션에서 1km 떨어져 있을 때 수평 정확도는 1.1cm입니다.	
	포지셔닝 정확도	
	포지셔닝 업데이트 속도	1 Hz, 2 Hz, 5 Hz, 10 Hz, 20 Hz

GNSS 수신기	콜드 스타트	< 45 s
	핫 스타트	< 10 s
	재포착 시간	< 1 s
	초기화 신뢰성	> 99.9%
	차분 데이터 형식	RTCM 2.x/3.x
통신 및 데이터 저장	데이터 링크	OcuSync, LAN, 4G, Wi-Fi
	작동 주파수	2.4000~2.4835 GHz, 5.725~5.850 GHz
	EIRP	OcuSync 2.4 GHz SRRC/CE/MIC/KCC: < 20 dBm FCC/NCC: < 26 dBm 5.8 GHz SRRC/NCC/FCC: < 26 dBm; CE: < 14 dBm
		Wi-Fi 2.4 GHz SRRC/CE/MIC/KCC: < 20 dBm FCC/NCC: < 22 dBm 5.8 GHz SRRC/NCC/FCC: < 22 dBm
	OcuSync 통신 거리	작동 모드 1/3 SRRC/NCC/FCC/MIC/KCC/CE: 2 km (장애물과 간섭이 없고, D-RTK 2 모바일 스테이션이 베이스 스테이션으로 사용되고, D-RTK 2 안테나에서 삼각대 밑면까지의 거리가 1.8m이고, 조종기와 D-RTK 2의 높이 차이가 2m 미만이고, 조종기가 지면에서 1.2m 높이일 경우)
작동 모드 4 기체와 모바일 스테이션 사이: NCC/FCC: 7 km; SRRC/MIC/KCC/CE: 5 km 조종기와 모바일 스테이션 사이: 200 m (약 120m 비행 고도에서 장애물과 간섭이 없고, D-RTK 2 안테나에서 삼각대 밑면까지의 거리가 1.8m이고, 조종기가 지면에서 1.2m 높이일 경우)		
메모리 용량	16 GB	
IMU	기능	내장된 고정밀 6축 가속도계 D-RTK 2 이동 모니터링 경사 측정 전자식 버블 수평계
전기적 특성	소비 전력	12 W
	전력 공급	16.5 ~ 58.8 VDC
	배터리	유형: 리튬 이온 배터리 용량: 4920 mAh 에너지: 37.3 Wh
		작동 시간
물리적 특성	크기(확장 로드가 장착된 D-RTK 2 본체)	168×168×1708 mm
	IP 등급	IP65
작동 온도	-20~55 °C	

펌웨어 업데이트

DJI Assistant 2 소프트웨어 또는 앱*에서 D-RTK 2 펌웨어를 업데이트하십시오. 다음 지침은 예로서 DJI Assistant 2 소프트웨어를 사용합니다.

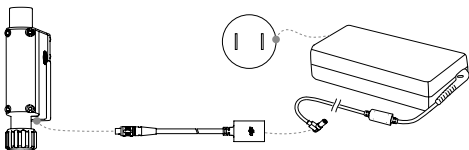
1. D-RTK 2 모바일 스테이션의 전원을 켭니다.
2. USB-C 케이블을 통해 D-RTK 2 모바일 스테이션을 컴퓨터에 연결합니다.
3. DJI Assistant 2를 실행하고 DJI 계정을 사용하여 로그인합니다.
4. D-RTK 2를 클릭한 다음 펌웨어 업데이트 태그를 클릭합니다.
5. 원하는 펌웨어 버전을 선택합니다.
6. DJI Assistant 2에서 자동으로 펌웨어를 다운로드하여 업데이트합니다.

*펌웨어 업데이트를 지원하는 앱 버전이 필요합니다.

액세서리 사용

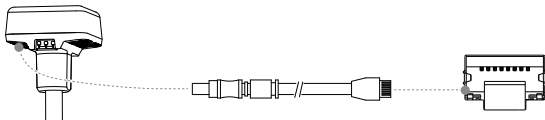
전원 어댑터 케이블

전원 어댑터 케이블을 외부 전원 포트에 연결한 다음, AC 전원 케이블을 이용해 전원 어댑터를 전원 콘센트(100~240V, 50/60Hz)에 연결합니다.



LAN 케이블

LAN 케이블을 이용해 공용 네트워크에 액세스합니다.



공용 네트워크에서 위성 포지셔닝 정보를 전송할 경우 현지 법률 및 규정을 준수하는지 확인하십시오.

이 문서의 내용은 언제든지 변경될 수 있습니다.

최신 버전은 다음 웹사이트에서 다운로드하십시오.

<http://www.dji.com/d-rtk-2>

Haftungsausschluss

Vielen Dank für den Kauf der D-RTK™ 2 GNSS Mobilstation (nachfolgend als „Produkt“ bezeichnet). Lesen Sie diesen Haftungsausschluss aufmerksam durch, bevor Sie dieses Produkt verwenden. Durch die Verwendung dieses Produkts erklären Sie sich mit diesem Haftungsausschluss einverstanden und bestätigen, dass Sie ihn vollständig gelesen haben. Bitte verwenden Sie dieses Produkt in strikter Übereinstimmung mit dieser Bedienungsanleitung und stellen Sie sicher, dass Sie die Warnhinweise befolgen. Die SZ DJI TECHNOLOGY CO., LTD., und ihre verbundenen Unternehmen übernehmen keine Haftung für Schäden oder Verletzungen, die direkt oder indirekt aus unsachgemäßer Nutzung, Montage oder Nachrüstung dieses Produkts entstehen, einschließlich der Verwendung von nicht vorgesehenem Zubehör.

DJI™ ist eine Marke von SZ DJI TECHNOLOGY CO., LTD. (kurz: „DJI“) und seiner verbundenen Unternehmen. Namen von Produkten, Marken usw., die in dieser Bedienungsanleitung enthalten sind, sind Warenzeichen oder eingetragene Warenzeichen der jeweiligen Besitzer. Dieses Produkt und diese Bedienungsanleitung sind urheberrechtlich geschütztes Eigentum von DJI und alle Rechte sind vorbehalten. Kein Teil dieses Produkts oder dieser Bedienungsanleitung darf in irgendeiner Form ohne vorherige schriftliche Zustimmung oder Genehmigung von DJI reproduziert werden.

Dieser Haftungsausschluss existiert in verschiedenen Sprachen. Im Falle von Abweichungen zwischen den verschiedenen Versionen ist die chinesische Version maßgeblich, wenn das fragliche Produkt in China erworben wurde, bzw. die englische Version, wenn das fragliche Produkt in anderen Regionen erworben wurde.

Warnhinweise

1. Um die Lebensdauer des Akkus zu verlängern, entfernen Sie die Intelligent Battery von der D-RTK 2 Mobilstation, wenn sie nicht verwendet wird.
2. Verwenden Sie die D-RTK 2 Mobilstation nur in dem entsprechenden Frequenzband und in Übereinstimmung mit den örtlichen Gesetzen und Vorschriften.
3. Biegen Sie die Kabel NICHT übermäßig, und knicken Sie sie NICHT.
4. Sorgen Sie dafür, dass die D-RTK 2 Mobilstation in einer vollkommen ebenen Position montiert und positioniert wird.
5. Betreiben Sie das Produkt ausschließlich im Freien in einer Umgebung, in der keine Funkstörsignale auftreten. Schalten Sie Geräte in der Nähe, welche dieselben Frequenzen wie die D-RTK 2 Mobilstation verwenden (z. B. Funkgeräte), aus.
6. Achten Sie darauf, dass die Antennen aller verwendeten Geräte während des Betriebs nicht blockiert sind.
7. Verwenden Sie nur DJI-Originalteile oder von DJI zertifizierte Teile. Nicht zertifizierte Teile oder Teile von Fremdherstellern können Systemstörungen verursachen und die Betriebssicherheit des Produkts beeinträchtigen.
8. Achten Sie darauf, dass die D-RTK 2 Mobilstation und ihre Bauteile keine Verunreinigungen aufweisen (z. B. Wasser, Öl, Erde, Sand).
9. Versuchen Sie NICHT, Teile der D-RTK 2 Mobilstation, die bereits vor dem Versand befestigt wurden, zu demontieren.
10. Gehen Sie mit den scharfen Enden des Verlängerungsstabs des Stativs vorsichtig um.
11. Ergreifen Sie die notwendigen Maßnahmen, um die D-RTK 2 Mobilstation und die Akkus vor Regen, Schnee und/oder Gewittern zu schützen. Bei extremen Wetterbedingungen vorsichtig betreiben.

Einführung

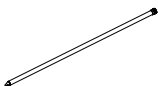
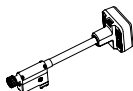
Die D-RTK 2 Hochpräzisions-GNSS-Mobilstation ist ein hochpräziser Satellitensignalempfänger, der vier globale Satellitennavigationssysteme unterstützt: GPS, BeiDou, GLONASS und Galileo mit 11-Band-Satellitensignalempfang*. Ihre integrierten OCUSYNC™-, LAN- und 4G-Datenübertragungsverbindungen gewährleisten unter verschiedenen Anwendungsszenarien eine unterbrechungsfreie und stabile Datenübertragung. Die D-RTK 2 Mobilstation kann als mobile RTK-Basisstation verwendet werden, um eine zentimetergenaue Positionierung eines Fluggeräts mit einem DJI RTK-Positionierungssystem (wie Agras T20, T16, MG-1P RTK, Phantom 4 RTK, P4 Multispectral, MATRICE™ 300 RTK oder Matrice 210 RTK V2) zu erzielen. Ihre Funktion ist selbst in Umgebungen mit starken magnetischen Störungen, beispielsweise in der Nähe von Hochspannungsleitungen oder Metallstrukturen, nicht beeinträchtigt. Die D-RTK 2 Mobilstation kann auch als handgeführtes Kartierungsgerät verwendet werden, um eine höhere Genauigkeit der Punktpositionierung bei Vermessung und Kartierung, Lofting und anderen technischen Anwendungen zu erreichen. Darüber hinaus kann die D-RTK 2 Mobilstation auch als stationäre RTK-Basisstation zum schnellen Aufbau von RTK-Netzwerkdiensten** verwendet werden.

* Einzelheiten finden Sie in den technischen Daten.

** Wird später unterstützt. DJI stellt nur technische Dienste zur Verfügung. Der Benutzer muss selbst dafür sorgen, die lokalen Gesetze, Vorschriften und Anforderungen für den Aufbau von RTK-Netzwerkdiensten einzuhalten.

Lieferumfang

D-RTK 2 Korpus x1 Verlängerungsstab x1 Akkuladestation x1



AC-Netzadapter x1 Intelligent Battery (WB37) x2 Akkudeckel x1

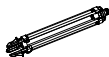


AC-Netzkabel x1 USB-C-Kabel x1 USB-C-OTG-Kabel x1 Sechskantschlüssel x1



Optionale Komponenten

① Stativ



② Netzadapterkabel



③ LAN-Kabel



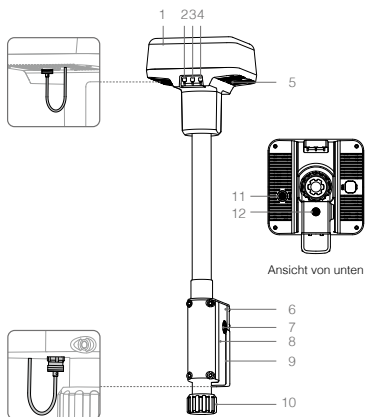
① Wenn Sie die D-RTK 2 Mobilstation als mobile Basisstation verwenden, benutzen Sie das Stativ, um den Korpus der D-RTK 2 zu halten.

② Wenn Sie die D-RTK 2 Mobilstation als stationäre Basisstation verwenden, benutzen Sie das Netzadapterkabel und den Wechselstrom-Adapter für eine dauerhafte Stromversorgung.

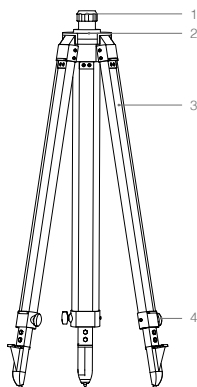
③ Wenn Sie die D-RTK 2 Mobilstation als stationäre Basisstation verwenden, benutzen Sie für den Zugriff auf den Cloud-Server das LAN-Kabel.

Übersicht

D-RTK 2 Korpus



Stativ



1. Antenne
2. Kopplungstaste und -anzeige
3. Netztaste und -anzeige
4. Betriebsmodustaste und -anzeige
5. USB-C-Anschluss
6. Dongle-Fach
7. Rosettenhalterung
8. Akkufach
9. Akkudeckel
10. Feststellmutter
11. LAN-Anschluss*
12. Externer Stromanschluss*

1. Sleeve
2. Befestigungsbasis
3. Einziehbare Beine
4. Drehgriffe

* Ausgestattet mit einer Schutzhülle, die aufbewahrt werden kann, wenn das Gerät in Betrieb ist. Wenn Sie das Gerät nicht benutzen, decken Sie die Anschlüsse ab, um das Gerät vor Feuchtigkeit und Staub zu schützen.

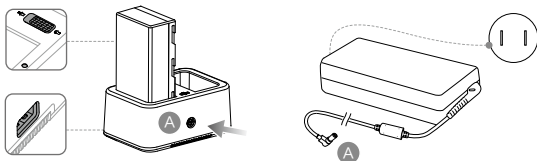
Die Abbildungen in diesem Dokument können vom tatsächlichen Produkt geringfügig abweichen. Bitte beziehen Sie sich auf das tatsächliche Produkt.

Vorbereitung

Laden des Akkus

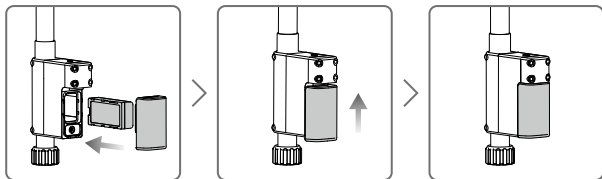
Drücken Sie die Akkuladestandstaste einmal, um den Akkuladestand zu prüfen. Laden Sie die Akkus vor dem erstmaligen Gebrauch vollständig auf.

1. Platzieren Sie den Akku in der Akkuladestation. Schließen Sie daraufhin den AC-Netzadapter erst an die Ladestation und dann an eine Steckdose an (100-240 V, 50/60 Hz).
2. Die Akkuladestation lädt die Akkus der Reihe nach automatisch nach Ladestand (Akku mit dem höchsten Ladestand zuerst, Akku mit dem niedrigsten Ladestand zuletzt).
3. Die Status-LED blinkt während des Ladevorgangs grün. Sobald sie durchgehend grün leuchtet, ist der Ladevorgang abgeschlossen. Einen Piepton ertönt, sobald der Ladevorgang abgeschlossen ist. Entfernen Sie den Akku oder schalten Sie den Pieper ab, um den Ton abzuschalten.



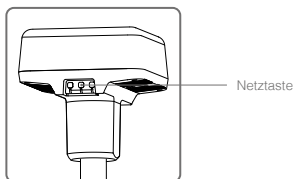
💡 Weitere Informationen finden Sie im Benutzerhandbuch zur WCH2-Akkuladestation und in den Sicherheitsrichtlinien der WB37 Intelligent Battery.

Einsetzen des Akkus



Ein- und Ausschalten der D-RTK 2 Mobilstation

Drücken und halten Sie die Netzstaste, um die D-RTK 2 Mobilstation ein- bzw. auszuschalten.



Beschreibungen der Stromanzeige

Leuchtet durchgehend rot	Systeminitialisierung/Fehlerbenachrichtigung
Blinkt schnell rot	Akkuladestand unter 20 %
Blinkt langsam rot	Signale von ≤ 5 Satelliten empfangen
Leuchtet durchgehend gelb	Signale von 6-9 Satelliten empfangen
Leuchtet durchgehend grün	Signale von ≥ 10 Satelliten empfangen

Betriebsmodi

Die D-RTK 2 Mobilstation verfügt über fünf Betriebsmodi, die sich mit verschiedenen Produkten verwenden lassen. Befolgen Sie zum Moduswechsel die nachstehenden Anweisungen.

1. Drücken Sie die Betriebsmodustaste und halten Sie diese zwei Sekunden lang gedrückt. Die Anzeige wechselt von Grün auf Gelb, um anzuzeigen, dass sich das Gerät im Moduswechsel-Status befindet.
2. Drücken Sie die Betriebsmodustaste einmal, um den Modus zu wechseln. Warten Sie zwei Sekunden lang, bis das Gerät in den entsprechenden Modus wechselt. Die Anzeige wechselt von Gelb auf Grün. Die Betriebsmodi werden durch die Blinkfolge der Anzeige angezeigt. Siehe nachstehende Tabelle.
3. Das Gerät verbleibt im Originalmodus, wenn innerhalb von zwei Sekunden nach dem Wechsel in den Moduswechsel-Status keine weitere Operation ausgeführt wird.

Modi	Name und kompatible Produkte	Blinkfolge
Betriebsmodus 1	Mobile Basisstation (T20/T16/MG-1P RTK/Phantom 4 RTK/P4 Multispectral)	Einmal
Betriebsmodus 2	Stationäre Basisstation*	Zweimal
Betriebsmodus 3	Hand-Kartierungsgerät (T20/T16/MG-1P RTK/Phantom 4 RTK)	Dreimal
Betriebsmodus 4	Mobile Basisstation (M210 RTK V2)	Viermal
Betriebsmodus 5	Mobile Basisstation (Übertragungsmodus, M300 RTK)	Fünfmal

* Wird später unterstützt.

Verwendung der D-RTK 2 Mobilstation

Die Bedienung der D-RTK 2 Mobilstation ist bei Betrieb mit verschiedenen Produkten ähnlich. Sofern nicht anders angegeben, sind die nachstehenden Beschreibungen mit allen Produkten kompatibel, die sich im entsprechenden Modus betreiben lassen.

Verbindung zwischen Fernsteuerung und Fluggerät herstellen


Verbindungsmethode


Die Verbindungsmethode ist je nach Betriebsmodus unterschiedlich. Siehe nachstehende Anweisungen.

Betriebsmodus 1


Verwendung mit Agras oder Phantom 4 RTK

Die Verbindung der D-RTK 2 Mobilstation mit der Fernsteuerung muss in der App erfolgen. Die folgenden Beschreibungen verwenden die DJI Agras App als Beispiel.

1. Schalten Sie die D-RTK 2 Mobilstation ein. Warten Sie, bis die Systeminitialisierung abgeschlossen ist, und wechseln Sie in den Betriebsmodus 1.
2. Schalten Sie die Fernsteuerung ein und sorgen Sie dafür, dass die App startet.
3. Gehen Sie in der App zu „Operation View“ >  > RTK, um die RTK-Funktion des Fluggeräts zu aktivieren. Stellen Sie die RTK-Signalquelle auf D-RTK 2 Mobile Station. Tippen Sie dann unten auf „Linking“. Die Statusleuchte der Fernsteuerung blinkt blau und ein Piepton von der Fernsteuerung zeigt an, dass die Fernsteuerung gekoppelt wurde.

- Drücken Sie die Kopplungstaste an der D-RTK 2 Mobilstation. Daraufhin blinkt die Verbindungsanzeige abwechselnd rot und grün, um anzuzeigen, dass die D-RTK 2 Mobilstation gekoppelt ist.
- Das Koppeln war erfolgreich, wenn die Statusbeleuchtung an der Fernsteuerung durchgehend grün leuchtet. Die D-RTK 2 Kopplungsanzeige zeigt den aktuellen Betriebsstatus an. Genauere Informationen finden Sie in der Tabelle unten.
- Die Fernsteuerung und das Fluggerät müssen neu gekoppelt werden, nachdem die Fernsteuerung mit der D-RTK 2 Mobilstation gekoppelt wurde. Es gibt drei Möglichkeiten, dies zu tun:
 - Nachdem Sie die Fernsteuerung mit der D-RTK 2 Mobilstation gekoppelt haben, tippen Sie auf „**Link with Aircraft**“ im Popup-Fenster, um sie mit dem Fluggerät zu koppeln. Drücken Sie dann die Kopplungstaste am Fluggerät, um die Kopplung abzuschließen.
 - Tippen Sie auf der RTK-Einstellungsseite auf die Schaltfläche  neben der Meldung, dass das Fluggerät getrennt wurde. Tippen Sie danach auf „**Link with Aircraft**“ im Popup-Fenster, um das Fluggerät zu koppeln.
 - Koppeln Sie die Fernsteuerung mit dem Fluggerät auf der RC-Einstellungsseite. Wenn Sie fertig sind, wechseln Sie zur RTK-Einstellungsseite und tippen Sie auf „**Try to Reconnect**“ neben dem D-RTK 2 Status zum erneuten Koppeln mit der D-RTK 2. Der D-RTK 2-Status muss „**Connection Success**“ anzeigen, damit die RTK-Funktionen funktionieren.

Verwendung mit P4-Multispectral-Fluggerät

- Schalten Sie die D-RTK 2 Mobilstation ein. Warten Sie, bis die Systeminitialisierung abgeschlossen ist, und wechseln Sie in den Betriebsmodus 1.
- Schalten Sie die Fernsteuerung ein und sorgen Sie dafür, dass die DJI GS Pro-App gestartet wird.
- Gehen Sie in DJI GS Pro zur Missionsseite, tippen Sie auf das -Symbol oder auf RTK oben auf dem Bildschirm, um zum RTK-Einstellungsmenü zu gelangen. Wählen Sie dann D-RTK 2 als die RTK-Signalquelle aus. Aktivieren Sie unten auf dem Menü die Fluggerät-RTK, um zu gewährleisten, dass das Fluggerät Zugang auf RTK-Daten hat.
- Tippen Sie auf Link. Die Fernsteuerung beginnt zu piepen. Drücken Sie dann die Kopplungstaste auf der Mobilstation.
- Das Koppeln war erfolgreich, wenn die Statusbeleuchtung an der Fernsteuerung durchgehend grün leuchtet. Die D-RTK 2 Kopplungsanzeige zeigt den aktuellen Betriebsstatus an. Siehe die nachstehende Tabelle mit Einzelheiten.



- Wenn die D-RTK 2 Mobilstation mit der Fernsteuerung verbunden ist und das Fluggerät von dieser gesteuert wird, kann die D-RTK 2 Mobilstation nicht mit anderen Fernsteuerungen verbunden werden. Falls erforderlich, nehmen Sie die Kopplung vor, nachdem das Fluggerät gelandet ist und die Motoren zum Stehen gekommen sind.
- Eine D-RTK 2 Mobilstation kann mit bis zu fünf Fernsteuerungen gekoppelt werden.

Betriebsmodus 3

Die D-RTK 2 Mobilstation muss mit der Fernsteuerung verbunden werden.

- Schalten Sie die D-RTK 2 Mobilstation ein. Warten Sie, bis die Systeminitialisierung abgeschlossen ist, und wechseln Sie in den Betriebsmodus 3.
- Schalten Sie die Fernsteuerung ein. Gehen Sie in der App zu Fernsteuerungseinstellungen und tippen Sie auf „Linking“ (Verbindung herstellen). Die Status-LED blinkt blau und die Fernsteuerung piept zweimal nacheinander, wodurch angezeigt wird, dass die Fernsteuerung zur Verbindung bereit ist.
- Drücken Sie die Kopplungstaste an der D-RTK 2 Mobilstation. Daraufhin blinkt die Verbindungsanzeige abwechselnd rot und grün, um anzuzeigen, dass die D-RTK 2 Mobilstation gekoppelt ist.
- Das Koppeln war erfolgreich, wenn die Statusbeleuchtung an der Fernsteuerung durchgehend grün leuchtet. Die D-RTK 2 Kopplungsanzeige zeigt den aktuellen Betriebsstatus an. Siehe die nachstehende Tabelle mit Einzelheiten.

Betriebsmodus 4

Die D-RTK 2 Mobilstation muss mit dem Fluggerät M210 RTK V2 verbunden sein.

1. Schalten Sie das Fluggerät M210 RTK V2 ein und stellen Sie sicher, dass es mit der Fernsteuerung verbunden ist.
2. Drücken Sie die Kopplungstaste an der D-RTK 2 Mobilstation. Daraufhin blinkt die Verbindungsanzeige abwechselnd rot und grün, um anzuzeigen, dass die D-RTK 2 Mobilstation gekoppelt ist.
3. Drücken Sie die Kopplungstaste am Fluggerät.
4. Warten Sie einige Sekunden. Die Verbindung ist erfolgreich, wenn die Statusleuchten sowohl am Fluggerät als auch an der Mobilstation durchgehend grün leuchten.

Betriebsmodus 5

Bei Verwendung mit der M300 RTK muss die Fernsteuerung Teil des Übertragungsnetzwerks der D-RTK 2 Mobilstation sein.

1. Schalten Sie die D-RTK 2 Mobilstation ein. Warten Sie, bis die Systeminitialisierung abgeschlossen ist, und wechseln Sie in den Betriebsmodus 5.
2. Schalten Sie die Fernsteuerung ein. Gehen Sie in der DJI Pilot-App zu RTK-Einstellungen, und stellen Sie die RTK-Signalquelle auf D-RTK 2 Mobilstation.
3. Tippen Sie auf > rechts von der Statusanzeige der D-RTK 2 Mobilstation, wodurch eine Suchaktion automatisch gestartet wird. Wählen Sie in den Suchergebnissen die gewünschte RTK-Basisstation aus und warten Sie auf eine erfolgreiche Verbindung.

Beschreibungen der Kopplungsanzeige

Wenn der Kopplungsprozess beginnt, blinkt die Anzeige abwechselnd rot und grün.

Sobald der Kopplungsprozess beendet ist, erscheint eines der unten beschriebenen Blinkmuster.

Betriebsmodus 1/3/4	Status
Leuchtet durchgehend grün	OcuSync-Signalqualität >70 %
Blinkt schnell grün	OcuSync-Signalqualität 35 % bis 70 %
Blinkt langsam grün	OcuSync-Signalqualität ≤35 %
Leuchtet durchgehend rot	OcuSync-Signalqualität = 0
Betriebsmodus 2	Status
Leuchtet durchgehend grün	Netzwerk verbunden
Leuchtet durchgehend rot	Netzwerk getrennt
Betriebsmodus 5	Status
Leuchtet durchgehend grün	Normaler Betrieb

Aktivierung

Achten Sie darauf, die D-RTK 2 Mobilstation vor dem ersten Gebrauch zu aktivieren. Die Aktivierung kann in der App oder in der DJI ASSISTANT™ 2 Software erfolgen. Die folgenden Beschreibungen verwenden die App als Beispiel.

Verwendung mit Agras oder Phantom 4 RTK

1. Schalten Sie die D-RTK 2 Mobilstation ein.
2. Schalten Sie die Fernsteuerung ein und sorgen Sie dafür, dass die App startet.
3. Gehen Sie in der App zu RTK-Einstellungen, um die RTK-Funktion des Fluggeräts zu aktivieren. Stellen Sie die RTK-Signalquelle auf D-RTK 2 Mobile Station. Wenn Sie zum ersten Mal eine Verbindung herstellen, wird eine Aufforderung zur Aktivierung angezeigt. Befolgen Sie die Schritte auf dem Bildschirm zur Aktivierung.

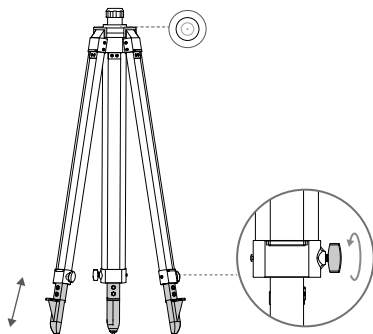
Verwendung des Fluggeräts mit M300 RTK oder M210 RTK V2

Schalten Sie die Mobilstation ein und sorgen Sie dafür, dass sie mit dem Fluggerät oder der Fernsteuerung verbunden ist. Starten Sie die DJI Pilot-App und befolgen Sie die Aktivierungsschritte auf dem Bildschirm.

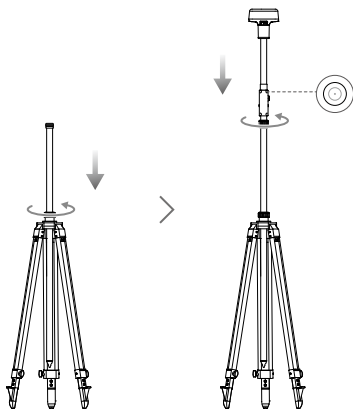
Einrichtung

Wenn Sie zur Verwendung als mobile Basisstation einen offenen Bereich für die Einrichtung der D-RTK 2 Mobilstation aus. Markieren Sie den Standort und richten Sie die Mitte des Stativs an der Markierung aus, um sicherzustellen, dass die D-RTK 2 Mobilstation am gleichen Ort ausgetauscht werden kann.

1. Klappen Sie das Stativ auseinander, stellen Sie die drei einziehbaren Beine auf die gewünschte Länge ein und ziehen dann jeden der drei Drehgriffe fest. Achten Sie darauf, dass sich die Blase der Wasserwaage auf der Halterung innerhalb des schwarzen Kreises befindet (von oben betrachtet bei vertikaler Wasserwaage) und das Stativ sicher steht.



2. Führen Sie den Verlängerungsstab in das Stativ ein und ziehen Sie den Sleeve am Stativ fest. Befestigen Sie dann den D-RTK 2 Korpus am Verlängerungsstab und ziehen Sie die Sicherungsmutter am Korpus fest. Stellen Sie sicher, dass sich die Blase der Wasserwaage am D-RTK 2 innerhalb des schwarzen Kreises befindet (von oben betrachtet bei vertikaler Wasserwaage).





- Ändern Sie nach dem Nivellieren des Stativs die Position oder den Winkel des Stativs bzw. der D-RTK 2 Mobilstation NICHT MHER. Andernfalls muss das Stativ neu eingestellt werden.
- Die Einrichtungsumgebung erfordert ein breites Sichtfeld. Achten Sie darauf, dass sich innerhalb der Zone keine Hindernisse (Bäume, Gebäude) befinden, die mehr als 15° über der horizontalen Ebene der D-RTK 2 Antenne liegen, um zu verhindern, dass die GNSS-Signale absorbiert oder blockiert werden.
- Der Aufstellungsort sollte mindestens 200 m von starken Radiostrahlungsquellen (wie Fernsehsendemasten, Mikrowellengeräten usw.) und mindestens 50 m von Hochspannungsleitungen entfernt sein, um elektromagnetische Störungen bei GNSS-Signalen zu vermeiden.
- Der Aufstellungsort sollte weit entfernt von großen Gewässern oder Objekten liegen, die den Empfang von Satellitensignalen stark stören, um Mehrwegeeffekte zu reduzieren.

Benutzung

Die verfügbaren Betriebsmodi sind je nach Produkt, das mit der D-RTK 2 Mobilstation verwendet wird, verschieden. Wählen Sie den entsprechenden Betriebsmodus für das verwendete Produkt aus und befolgen Sie die nachstehenden Anweisungen.

Anleitung

Betriebsmodus 1/4

1. Fahren Sie den Verlängerungsstab im Stativ aus, um die D-RTK 2 Mobilstation auf die gewünschte Höhe einzustellen, und ziehen Sie den Sleeve fest.
2. Schalten Sie die D-RTK 2 Mobilstation ein. Warten Sie, bis die Systeminitialisierung abgeschlossen ist, und wechseln Sie in den Betriebsmodus 1 oder 4.
3. Schalten Sie die Fernsteuerung und das Fluggerät ein und sorgen Sie dafür, dass die App startet.
4. Gehen Sie in der App zu den RTK-Einstellungen, um die RTK-Funktion des Fluggeräts zu aktivieren. Stellen Sie die RTK-Signalquelle auf D-RTK 2 Mobilstation und überprüfen Sie die Verbindung in der Statusanzeige. Tippen Sie bei Verwendung eines P4-Multispectral-Fluggeräts auf „Verbinden“ (Connect), um eine Verbindung mit der Basisstation herzustellen.
5. Warten Sie, bis das System nach Satelliten sucht. Starten Sie die Motoren, wenn das RTK-Symbol „FIX“ anzeigt, oder wenn der Status der Ausrichtung des Fluggeräts und der Status der Positionierung in der Statustabelle in den RTK-Einstellungen „FIX“ anzeigt.



Falls die D-RTK 2 Mobilstation während des Flugs bewegt oder ausgeschaltet wird, wechselt die RTK des Fluggeräts in den GNSS-Modus und nicht erneut in den Status RTK FIX. Starten Sie die D-RTK 2 Mobilstation nach dem Flug neu und warten Sie, bis sie den Status RTK FIX erreicht.

Betriebsmodus 3

1. Schalten Sie die D-RTK 2 Mobilstation ein. Warten Sie, bis die Systeminitialisierung abgeschlossen ist, und wechseln Sie in den Betriebsmodus 3.
2. Schalten Sie die Fernsteuerung ein und sorgen Sie dafür, dass die App startet. Überprüfen Sie den Startbildschirm, um sicherzustellen, dass das Hand-Kartierungsgerät verbunden ist.
3. Wählen Sie in RTK-Einstellungen die Signalquelle für das Hand-Kartierungsgerät aus. Sorgen Sie dafür, dass die als Hand-Kartierungsgerät verwendete D-RTK 2 Mobilstation mit einer anderen D-RTK 2 Mobilstation verbunden ist, die als Basisstation oder RTK-Netzwerkserver dient.
4. Stellen Sie die Planungsmethode auf RTK-Handgerät für die Betriebsplanung ein.

Betriebsmodus 5

1. Schalten Sie die D-RTK 2 Mobilstation ein. Warten Sie, bis die Systeminitialisierung abgeschlossen ist, und wechseln Sie in den Betriebsmodus 5.
2. Sorgen Sie dafür, dass die Fernsteuerung mit dem Übertragungsnetzwerk der D-RTK 2 Mobilstation verbunden ist.

3. Warten Sie, bis das System nach Satelliten sucht. Starten Sie die Motoren, wenn sowohl der Status der Ausrichtung des Fluggeräts als auch der Status der Positionierung in der Statustabelle in den RTK-Einstellungen „FIX“ anzeigen.

Erweiterte Einstellungen

Betriebsmodus 1/3/4

1. Gehen Sie zum Ende der RTK-Einstellungen und tippen Sie dort auf „Erweiterte Einstellungen“ (Advanced Settings).
2. Die Einstellungen sind abhängig vom mit der D-RTK 2 Mobilstation verwendeten Produkt verschieden. Die Einstellungen umfassen das Verwalten der Liste der verbundenen Fernsteuerungen und das Anzeigen und Bearbeiten des Gerätenamens.
3. Geben Sie bei Verwendung der D-RTK 2 Mobilstation als Basisstation die gemessenen Koordinaten und die Flughöhe* ein.

Betriebsmodus 5

1. Gehen Sie zum Ende der RTK-Einstellungen und tippen Sie dort auf „Erweiterte Einstellungen“ (Advanced Settings). Geben Sie das Administrator-Passwort ein, um auf die Konfiguration zuzugreifen. Das Standardpasswort lautet 123456.
2. Bearbeiten Sie den Namen der Mobilstation und ändern Sie das Passwort.
3. Geben Sie bei Verwendung der D-RTK 2 Mobilstation als Basisstation die gemessenen Koordinaten und die Flughöhe* ein.
4. Das Passwort lässt sich zurücksetzen, indem Sie die nachstehenden Anweisungen befolgen. Drücken Sie die Kopplungstaste auf der Mobilstation und halten Sie diese drei Sekunden lang gedrückt. Drücken Sie danach einmal auf die Betriebsmodustaste. Die Betriebsmodusanzeige wechselt von Rot auf Grün und zeigt damit an, dass das Passwort erfolgreich zurückgesetzt wurde.

*Wenn die in die App eingegebenen Koordinaten mehr als 50 m (für Betriebsmodus 1) oder 15 m (für Betriebsmodus 4 oder 5) von den tatsächlichen Koordinaten der D-RTK 2 Mobilstation abweichen, werden die Koordinaten nicht importiert.

Wenn die D-RTK 2 Mobilstation neu gestartet wird, nachdem die Eingabekoordinaten erfolgreich eingestellt wurden, werden diese Koordinaten nur dann verwendet, wenn die Differenz zwischen den tatsächlichen Koordinaten und den eingestellten Koordinaten weniger als 5 m beträgt. Andernfalls werden die tatsächlichen Positionskoordinaten verwendet.

Anhang

Technische Daten

GNSS-Empfänger	GNSS-Frequenz	Simultaner Empfang: GPS: L1, L2, L5; BeiDou: B1, B2, B3 GLONASS: F1, F2; Galileo: E1, E5A, E5B
	Positioniergenauigkeit	Einzelpunkt Horizontal: 1,5 m (RMS) Vertikal: 3,0 m (RMS) RTK Horizontal: 1 cm + 1 ppm (RMS) Vertikal: 2 cm + 1 ppm (RMS) 1 ppm: Für jeden zusätzlichen Kilometer Abstand wird die Präzision um 1 mm verringert. Zum Beispiel beträgt die horizontale Genauigkeit 1,1 cm, wenn die Entfernung des Empfängers von der Basisstation 1 km beträgt.
	Aktualisierungsrate der Position	1 Hz, 2 Hz, 5 Hz, 10 Hz und 20 Hz
	Kaltstart	< 45 s
	Warmstart	< 10 s
	Zeit erneuter Aufnahme	< 1 s

GNSS-Empfänger	Initialisierungszuverlässigkeit	> 99,9 %
	Differenzialdatenformat	RTCM 2.x/3.x
Kommunikation und Datenspeicherung	Datenverbindung	OcuSync, LAN, 4G, Wi-Fi
	Betriebsfrequenz	2,4000 bis 2,4835 GHz, 5,725 bis 5,850 GHz
	Strahlungsleistung (EIRP)	OcuSync 2,4 GHz SRRC/CE/MIC/KCC: < 20 dBm FCC/NCC: < 26 dBm 5,8 GHz SRRC/NCC/FCC: < 26 dBm; CE: < 14 dBm Wi-Fi 2,4 GHz SRRC/CE/MIC/KCC: < 20 dBm FCC/NCC: < 22 dBm 5,8 GHz SRRC/NCC/FCC: < 22 dBm
	OcuSync-Kommunikationsreichweite	Betriebsmodus 1/3 SRRC/NCC/FCC/MIC/KCC/CE: 2 km (Ohne Hindernisse und Interferenzen, wenn die D-RTK 2 Mobilstation als Basisstation verwendet wird und der Abstand zwischen der Antenne der D-RTK-2 und der Unterseite des Stativs 1,8 m und der Höhenunterschied zwischen der Fernsteuerung und der D-RTK 2 weniger als 2 m beträgt, und wenn die Fernsteuerung sich 1,2 m über dem Boden befindet) Betriebsmodus 4 Zwischen Fluggerät und Mobilstation: NCC/FCC: 7 km; SRRC/MIC/KCC/CE: 5 km Zwischen Fernsteuerung und Mobilstation: 200 m (Ohne Hindernisse und Interferenzen bei einer Flughöhe von ungefähr 120 m, wenn der Abstand zwischen der Antenne der D-RTK-2 und der Unterseite des Stativs 1,8 m beträgt, und wenn die Fernsteuerung sich 1,2 m über dem Boden befindet) Betriebsmodus 5 NCC/FCC: 12 km; SRRC/MIC/KCC/CE: 6 km (Ohne Hindernisse und Interferenzen, wenn der Abstand zwischen der Antenne der D-RTK-2 und der Unterseite des Stativs 1,8 m beträgt)
	Speicherkapazität	16 GB
IMU	Merkmale	Integrierter Beschleunigungsmesser mit 6 Achsen D-RTK 2 Bewegungsaufzeichnung Neigungsmessungen Elektronische Wasserwaage
Elektrische Eigenschaften	Leistungsaufnahme	12 W
	Stromversorgung	16,5 bis 58,8 VDC
	Akku	Typ: Lithium-Ionen-Akku Kapazität: 4920 mAh Energie: 37,3 Wh
	Akkulaufzeit	WB37 Akku: > 2 Std.
Merkmale und Abmessungen	Abmessungen (D-RTK 2 mit Verlängerungsstab)	168 mm × 168 mm × 1708 mm
	Schutzart	IP65
Betriebstemperaturbereich	-20 °C bis 55 °C	

Aktualisieren der Firmware

Aktualisieren Sie die D-RTK 2 Firmware in der DJI Assistant 2 Software oder in der App*. Für die folgenden Anweisungen wird beispielsweise die Software DJI Assistant 2 verwendet.

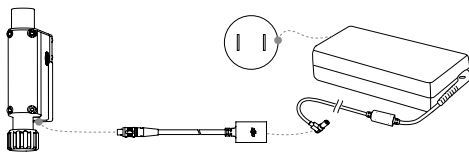
1. Schalten Sie die D-RTK 2 Mobilstation ein.
2. Verbinden Sie die D-RTK 2 Mobilstation über das USB-C-Kabel mit dem Computer.
3. Starten Sie den DJI Assistant 2 und melden Sie sich mit einem DJI-Konto an.
4. Klicken Sie auf D-RTK 2 und dann auf das Firmware-Update-Tag.
5. Wählen Sie die gewünschte Firmware-Version aus.
6. Der DJI Assistant 2 lädt die Firmware automatisch herunter und aktualisiert sie anschließend.

*Eine App-Version, die Firmware-Updates unterstützt, ist erforderlich.

Zubehörverwendung

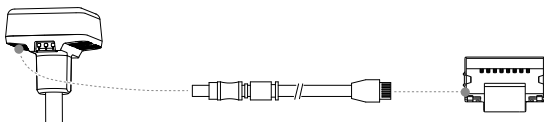
Netzadapterkabel

Verbinden Sie das Netzadapterkabel mit dem externen Stromanschluss. Verbinden Sie dann den Netzadapter über das Netzkabel mit einer Steckdose (100 bis 240 V, 50/60 Hz).



LAN-Kabel

Verwenden Sie das LAN-Kabel, um auf das öffentliche Netzwerk zuzugreifen.



Beachten Sie beim Übertragen von Satellitenpositionierungsinformationen in einem öffentlichen Netzwerk die lokalen Gesetze und Vorschriften.

Änderungen vorbehalten.

Die aktuelle Fassung finden Sie unter
<http://www.dji.com/d-rtk-2>

Renuncia de responsabilidad

Gracias por comprar la estación móvil GNSS de alta precisión D-RTK™ 2 (en adelante, el "Producto"). Lea esta renuncia de responsabilidad detenidamente antes de usar este Producto. Al utilizar este Producto, manifiesta su conformidad con esta cláusula de renuncia de responsabilidad y confirma que la ha leído completamente. Asegúrese de utilizar el Producto de conformidad con el manual y preste atención a las advertencias. SZ DJI TECHNOLOGY CO., LTD. y sus empresas filiales no asumen ninguna responsabilidad por daños o lesiones causados directa o indirectamente por un uso, instalación o montaje deficiente del producto, incluido el uso de accesorios no designados.

DJI™ es una marca comercial de SZ DJI TECHNOLOGY CO., LTD. (abreviado como "DJI") y sus filiales. Los nombres de productos, marcas, etc. que aparecen en este manual son marcas comerciales o marcas comerciales registradas de sus respectivas empresas propietarias. Este Producto y el manual están protegidos por los derechos de autor de DJI con todos los derechos reservados. Ni la totalidad ni parte de este manual o Producto deberán ser reproducidas en forma alguna sin previo consentimiento o autorización por escrito de DJI.

Esta renuncia se proporciona en diversos idiomas. En el caso de que haya divergencias entre las diferentes versiones, prevalecerá la versión en chino si el producto en cuestión se haya comprado en China. La versión inglesa prevalecerá si el producto en cuestión se ha adquirido en cualquier otra región.

Advertencias

1. Para maximizar la vida útil de la batería, retire la Batería Inteligente de la estación móvil D-RTK 2 cuando no esté en uso.
2. Solo use D-RTK 2 en la banda de frecuencia correspondiente y de conformidad con las leyes y normativas locales.
3. NO doble ni pliegue excesivamente los cables.
4. Asegúrese de que la estación móvil D-RTK 2 esté perfectamente nivelada cuando esté montada y colocada.
5. Utilice el sistema únicamente en espacios abiertos sin interferencias de radio. Apague los dispositivos cercanos que utilicen las mismas frecuencias que la estación móvil D-RTK 2 (por ejemplo, los transceptores de radio).
6. Asegúrese de que las antenas de todos los dispositivos utilizados no estén obstruidas cuando estén en uso.
7. Utilice solo piezas originales de DJI o piezas certificadas por DJI. Las piezas no autorizadas o piezas de fabricantes no certificados por DJI pueden causar un mal funcionamiento del sistema y comprometer la seguridad.
8. Asegúrese de que la estación móvil D-RTK 2 y sus componentes no estén contaminados (p. ej., con agua, aceite, tierra o arena).
9. NO intente desmontar ninguna parte de la estación móvil D-RTK 2 que ya se haya montado antes del envío.
10. Maneje los extremos afilados del brazo extensor y el trípode con precaución.
11. Tome las medidas necesarias para proteger la estación móvil D-RTK 2 y las baterías del agua de la lluvia, nieve o tormentas eléctricas. Operar con precaución en condiciones climáticas severas.

Introducción

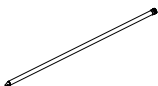
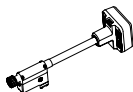
La estación móvil GNSS de alta precisión D-RTK 2 es un receptor de alta precisión capaz de recibir señal de cuatro sistemas de navegación por satélite globales diferentes: GPS, BeiDou, GLONASS y Galileo con recepción de señal de satélite de 11 bandas*. Sus sistemas de transmisión de datos OCUSYNC™, LAN y 4G integrados aseguran una transmisión de datos estable e ininterrumpida en diferentes supuestos de uso. La estación móvil D-RTK 2 se puede utilizar como una estación base móvil RTK para lograr la precisión de posicionamiento centimétrica de una aeronave equipada con un sistema de posicionamiento DJI RTK (como Agras T20, T16, MG-1P RTK, Phantom 4 RTK, P4 Multispectral, MATRICE™ 300 RTK, o Matrice 210 RTK V2). Sus funciones no se ven afectadas ni siquiera en entornos con fuertes interferencias magnéticas, como por ejemplo, cerca de líneas de alto voltaje o estructuras metálicas. La estación móvil D-RTK 2 también se puede utilizar como dispositivo de cartografía portátil para lograr una mayor precisión en el posicionamiento de puntos durante la prospección y cartografía, o el lofting y otras aplicaciones de ingeniería. Además, la estación móvil D-RTK 2 se puede utilizar como una estación base RTK estacionaria para establecer rápidamente servicios de red RTK**.

* Consulte las especificaciones para más detalles.

** Compatible próximamente. DJI solo proporciona servicios técnicos; los usuarios deben cumplir con las leyes, regulaciones y requisitos locales para construir servicios de red RTK.

Contenido del embalaje

Cuerpo de la D-RTK 2 × 1 Brazo extensor × 1 Centro de carga de baterías × 1



Adaptador de corriente CA × 1 Batería Inteligente (WB37) × 2 Tapa de la batería × 1

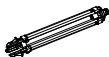


Cable de alimentación de CA × 1 Cable USB-C × 1 Cable USB-C OTG × 1 Llave hexagonal × 1



Elementos opcionales

① Trípode



② Cable de alimentación



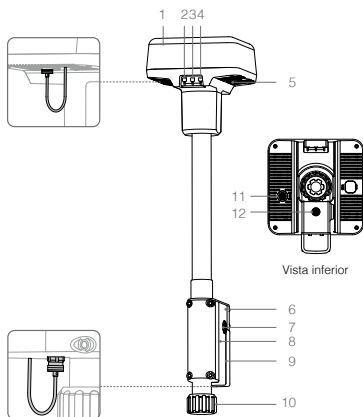
③ Cable LAN



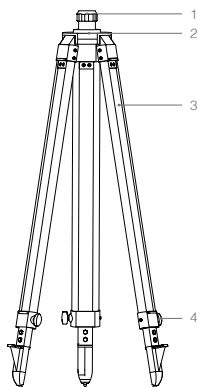
- ① El trípode se utiliza para sostener el cuerpo de la estación móvil D-RTK 2 al utilizarla como estación base móvil.
- ② El cable de alimentación y el adaptador de corriente CA conectan la estación móvil D-RTK 2 a la alimentación de CA para obtener una fuente de alimentación duradera al utilizarla como estación base estacionaria.
- ③ El cable LAN permite acceder al servidor en la nube al usar la estación móvil D-RTK 2 como estación base estacionaria.

Descripción

Cuerpo de la D-RTK 2



Trípode



1. Antena
2. Botón de enlace e indicador
3. Botón de encendido e indicador
4. Botón de modo de funcionamiento e indicador
5. Puerto USB-C
6. Compartimiento del adaptador
7. Soporte de roseta
8. Compartimento de la batería
9. Tapa de la batería
10. Tuerca de bloqueo
11. Puerto LAN*
12. Puerto de alimentación externa*

1. Manguito
2. Base de montaje
3. Patas retráctiles
4. Clavijas

* Equipado con una cubierta protectora que se puede guardar mientras se utiliza la unidad. Cuando no se esté utilizando, cubra los puertos para proteger la unidad de la humedad y el polvo.

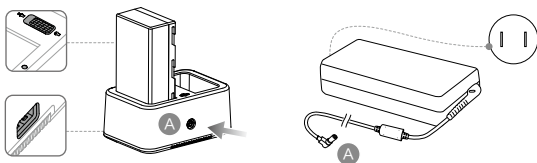
Las ilustraciones en este documento pueden ser ligeramente diferentes del producto real. Fíjese en el producto real.

Preparación

Carga de la batería

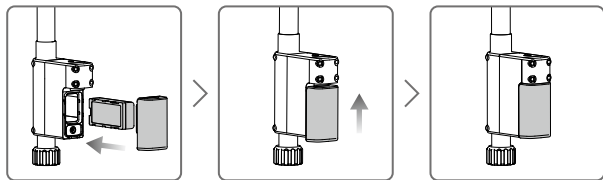
Pulse el botón de nivel de batería una vez para comprobar el nivel de la batería. Cargue completamente las baterías antes del primer uso.

1. Coloque la batería en el centro de carga de baterías, conecte el adaptador de alimentación de CA al centro de carga y luego conecte el adaptador de alimentación de CA a una toma de corriente (100-240 V, 50/60 Hz).
2. El centro de carga cargará las baterías secuencialmente de acuerdo con su nivel de carga, del más alto al más bajo.
3. El LED de estado parpadea en verde durante la carga y pasa a verde fijo al finalizar esta. El zumbador comenzará a emitir pitidos una vez finalizada la carga. Retire la batería o apague el zumbador para silenciarlo.



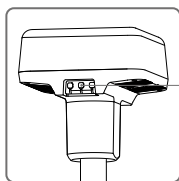
Consulte la Guía de usuario del centro de carga WCH2 y las Directrices de seguridad de la batería inteligente WB37 para obtener más detalles.

Montaje de la batería



Encendido/Apagado de la estación móvil D-RTK 2

Mantenga presionado el botón de encendido para encender/apagar la estación móvil D-RTK 2.



Botón de encendido

Descripciones del indicador de encendido

Rojo fijo	Inicialización del sistema/Notificación de error
Parpadeo rápido rojo	El nivel de batería es inferior al 20 %
Parpadeo lento rojo	Señales recibidas de ≤ 5 satélites
Amarillo fijo	Señales recibidas de 6-9 satélites
Verde fijo	Señales recibidas de ≥ 10 satélites

Modos de funcionamiento

La estación móvil D-RTK 2 proporciona cinco modos de funcionamiento para usar con diferentes productos. Siga las instrucciones a continuación para cambiar de un modo a otro.

1. Mantenga presionado el botón Modo de funcionamiento durante dos segundos. El indicador cambiará de verde a amarillo para indicar que el dispositivo ha entrado en el estado de cambio de modo.
2. Pulse el botón Modo de funcionamiento una vez para cambiar de modo. Espere dos segundos para que el dispositivo entre en el modo correspondiente. El indicador pasará de amarillo a verde. Los modos de funcionamiento se indican mediante un patrón de parpadeos en el indicador. Consulte la siguiente tabla.
3. El dispositivo permanecerá en el modo original si no se realiza ninguna otra operación dentro de los dos segundos posteriores a la entrada en el estado de cambio de modo.

Modos	Nombre y productos compatibles	Patrón de parpadeo
Modo de funcionamiento 1	Estación base móvil (T20/T16/MG-1P RTK/Phantom 4 RTK/P4 Multispectral)	Una vez
Modo de funcionamiento 2	Estación base estacionaria*	Dos veces
Modo de funcionamiento 3	Dispositivo de cartografía portátil (T20/T16/MG-1P RTK/Phantom 4 RTK)	Tres veces
Modo de funcionamiento 4	Estación base móvil (M210 RTK V2)	Cuatro veces
Modo de funcionamiento 5	Estación base móvil (Modo Emisión, M300 RTK)	Cinco veces

* Compatible próximamente.

Cómo usar la estación móvil D-RTK 2

Las operaciones son similares cuando se utiliza la estación móvil D-RTK 2 con diferentes productos. A menos que se especifique lo contrario, las descripciones a continuación son compatibles con todos los productos que funcionen en el modo correspondiente.

Conexión con el control remoto o la aeronave

Método de conexión



El método de conexión varía según el modo de funcionamiento. Consulte las instrucciones a continuación.

Modo de funcionamiento 1


Uso con aeronaves Agras o Phantom 4 RTK

La estación móvil D-RTK 2 debe estar vinculada al control remoto en la aplicación. Las siguientes descripciones utilizan la aplicación DJI Agras como ejemplo.

1. Encienda la estación móvil D-RTK 2, espere a que el sistema se inicialice, y entre en el Modo de funcionamiento 1.

- Encienda el control remoto y asegúrese de que se ha abierto la aplicación.
- En la aplicación, vaya a Operation View >  > RTK para habilitar la función RTK de la aeronave. Seleccione la fuente de señal RTK para la estación móvil D-RTK 2. Entonces, toque Vinculación en la parte inferior. El indicador de estado del control remoto parpadeará en azul y un pitido del control remoto indicará que este está vinculado.
- Presione el botón de enlace en la estación móvil D-RTK 2 y el indicador de enlace parpadeará en rojo y verde alternativamente, indicando que la estación móvil D-RTK 2 está vinculada.
- El enlace se realiza correctamente cuando la luz indicadora en el control remoto se vuelve verde fijo. El indicador de enlace de la D-RTK 2 muestra el estado de funcionamiento actual. Consulte los detalles en la siguiente tabla.
- El control remoto y la aeronave deben volver a enlazarse después de vincular el control remoto con la estación móvil D-RTK 2. Esto se puede hacer de tres maneras:
 - Después de vincular el control remoto con la estación móvil D-RTK 2, toque **Vincular con aeronave** en la ventana emergente para enlazarla con la aeronave. Luego presione el botón de enlace de la aeronave para terminar de enlazar.
 - En la página de Configuración RTK, toque el  botón junto al indicador que indica que la aeronave se ha desconectado, y luego toque **Enlace con aeronave** en la ventana emergente para enlazarla con la aeronave.
 - Enlace el control remoto con la aeronave en la página RC Settings. Cuando haya terminado, vaya a la página de Configuración RTK y toque **Try to Reconnect** junto al estado de la D-RTK 2 para volver a conectarse a esta. El estado de la D-RTK 2 debe indicar **Connection Success** para que las funciones RTK funcionen.

Uso con aeronave P4 Multispectral

- Encienda la estación móvil D-RTK 2, espere a que el sistema se inicialice, y entre en el Modo de funcionamiento 1.
- Encienda el control remoto y asegúrese de que se ha abierto la aplicación DJI GS Pro.
- Vaya a la Página de misiones en DJI GS Pro, toque el icono  o RTK en la parte superior de la pantalla para ir al menú de configuración de RTK y luego seleccione D-RTK 2 como fuente de señal RTK. Active el RTK de la aeronave en la parte inferior del menú para garantizar que la aeronave tenga acceso a los datos RTK.
- Pulse Vincular. El control remoto empieza a emitir pitidos. Luego pulse el botón de enlace en la estación móvil.
- El enlace se realiza correctamente cuando la luz indicadora en el control remoto se vuelve verde fijo. El indicador de enlace de la D-RTK 2 muestra el estado de funcionamiento actual. Consulte la siguiente tabla para obtener detalles.



- Cuando la estación móvil D-RTK 2 se haya conectado al control remoto y la aeronave esté siendo controlada por el control remoto, la estación móvil D-RTK 2 no se puede vincular con otros controles remotos. Si es necesario, realice el enlace después de que la aeronave aterrice y los motores se detengan.
- Una estación móvil D-RTK 2 puede conectarse con hasta cinco controles remotos.

Modo de funcionamiento 3

La estación móvil D-RTK 2 debe estar vinculada al control remoto.

- Encienda la estación móvil D-RTK 2, espere a que el sistema se inicialice, y entre en el Modo de funcionamiento 3.
- Encienda el control remoto. Vaya a Configuración del control remoto en la aplicación y toque Vinculación. El led de estado parpadeará en azul y el control remoto emitirá repetidamente un doble pitido, indicando que está preparado para vincularse.
- Presione el botón de enlace en la estación móvil D-RTK 2 y el indicador de enlace parpadeará en rojo y verde alternativamente, indicando que la estación móvil D-RTK 2 está vinculada.
- El enlace se realiza correctamente cuando la luz indicadora en el control remoto se vuelve verde fijo. El indicador de enlace de la D-RTK 2 muestra el estado de funcionamiento actual. Consulte la siguiente tabla para obtener detalles.

Modo de funcionamiento 4

La estación móvil D-RTK 2 debe estar vinculada a la aeronave M210 RTK V2.

1. Encienda la aeronave M210 RTK V2 y asegúrese de que esté vinculada al control remoto.
2. Presione el botón de enlace en la estación móvil D-RTK 2 y el indicador de enlace parpadeará en rojo y verde alternativamente, indicando que la estación móvil D-RTK 2 está vinculada.
3. Pulse el botón de enlace en la aeronave.
4. Espere unos segundos. La vinculación se habrá realizado correctamente cuando las luces del indicador de la aeronave y las de la estación móvil se pongan en verde fijo.

Modo de funcionamiento 5

Cuando se usa con el M300 RTK, el control remoto debe unirse a la red de emisión de la estación móvil D-RTK 2.

1. Encienda la estación móvil D-RTK 2, espere a que el sistema se inicialice, y entre en el Modo de funcionamiento 5.
2. Encienda el control remoto. Vaya a Configuración RTK en la aplicación DJI Pilot y configure la fuente de señal RTK en la estación móvil D-RTK 2.
3. Toque **>** a la derecha de la pantalla de estado de la estación móvil D-RTK 2 y se iniciará una búsqueda automáticamente. Seleccione la estación base RTK deseada en los resultados de búsqueda y espere hasta que se logre una conexión correcta.

Descripciones de indicadores de enlace

Cuando comienza el proceso de enlace, el indicador parpadea en rojo y verde alternativamente.

Cuando finaliza el proceso de enlace, los patrones de parpadeo del indicador son los que se muestran a continuación.

Modo de funcionamiento 1/3/4	Estado
Verde fijo	Calidad de la señal OcuSync >70 %
Parpadeo rápido verde	Calidad de la señal OcuSync 35-70 %
Parpadeo lento verde	Calidad de la señal OcuSync ≤35 %
Rojo fijo	Calidad de la señal OcuSync = 0
Modo de funcionamiento 2	Estado
Verde fijo	Red conectada
Rojo fijo	Red desconectada
Modo de funcionamiento 5	Estado
Verde fijo	Funcionando normalmente

Activación

Asegúrese de activar la estación móvil D-RTK 2 antes de usarla por primera vez. La activación se puede realizar en la aplicación o en el software DJI ASSISTANT™ 2. Las siguientes descripciones usan la aplicación, por ejemplo.

Uso con aeronaves Agram o Phantom 4 RTK

1. Encienda la estación móvil D-RTK 2.
2. Encienda el control remoto y asegúrese de que se ha abierto la aplicación.
3. En la aplicación, vaya a Configuración RTK para habilitar la función RTK de la aeronave. Seleccione la fuente de señal RTK para la estación móvil D-RTK 2. Cuando se conecte por primera vez, aparecerá un mensaje de activación. Siga los pasos en pantalla para la activación.

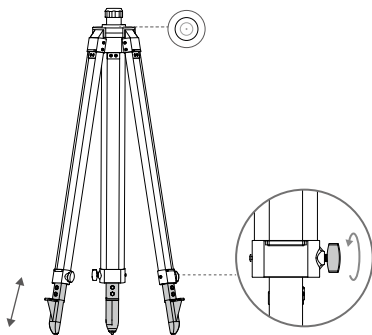
Uso con aeronave M300 RTK o M210 RTK V2

Encienda la estación móvil y asegúrese de que esté vinculada a la aeronave o al control remoto. Inicie la aplicación DJI Pilot y siga los pasos en pantalla para la activación.

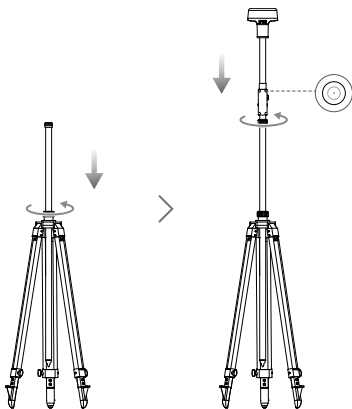
Preparación

Cuando se utiliza como estación base móvil, elija un área abierta para configurar la estación móvil D-RTK 2. Marque la ubicación y alinee el centro del trípode con la marca para asegurarse de que la estación móvil D-RTK 2 se pueda reubicar en el mismo lugar.

1. Despliegue el trípode, estire las tres patas retráctiles hasta la longitud deseada y luego apriete cada una de las tres clavijas. Asegúrese de que la burbuja de nivel en la base del soporte esté dentro del círculo negro (visto desde la parte superior del nivel de burbuja verticalmente) mientras mantiene el trípode fijo.



2. Inserte el brazo extensor en el trípode y apriete el manguito en el trípode. Luego coloque el cuerpo de la D-RTK 2 en el brazo extensor y apriete la tuerca de bloqueo en el cuerpo de la D-RTK 2. Asegúrese de que la burbuja de nivel en la D-RTK 2 esté dentro del círculo negro (visto desde la parte superior del nivel de burbuja verticalmente).





- NO cambie la posición o el ángulo del trípode o la estación móvil D-RTK 2 después de que el trípode se haya nivelado o, de lo contrario, deberá reajustarse.
- El entorno de instalación requiere un amplio campo de visión. Asegúrese de que no haya obstrucciones (árboles, edificios) dentro de la zona a un ángulo de más de 15° por encima del plano horizontal de la antena de la D-RTK 2 para evitar que las señales GNSS se absorban o bloqueen.
- La ubicación de configuración debe estar a 200 m como mínimo de las fuentes de emisión de radio de alta potencia (como estaciones de televisión, estaciones de microondas, etc.) y al menos a 50 m de las líneas de transmisión de alto voltaje para evitar la interferencia electromagnética de las señales GNSS.
- La ubicación de configuración debe estar alejada de aguas u objetos de gran área que interfieran fuertemente con la recepción de la señal del satélite para reducir los efectos de trayectos múltiples.

Uso

Los modos de funcionamiento disponibles varían según los productos utilizados con la estación móvil D-RTK 2. Seleccione el modo de funcionamiento correspondiente según el producto que esté utilizando y siga las instrucciones a continuación.

Instrucciones

Modo de funcionamiento 1/4

1. Levante el brazo extensor en el trípode para ajustar la estación móvil D-RTK 2 a la altura deseada y apriete el manguito.
2. Encienda la estación móvil D-RTK 2, espere a que el sistema se inicialice, y entre en el Modo de funcionamiento 1 o 4.
3. Encienda el control remoto y la aeronave y asegúrese de que se ha abierto la aplicación.
4. En la aplicación, vaya a Configuración RTK para habilitar la función RTK de la aeronave. Configure la fuente de señal RTK en la estación móvil D-RTK 2 y mire la pantalla de estado para verificar la conexión. Cuando use una aeronave Multispectral P4, toque Conectar para establecer una conexión con la estación base.
5. Espere a que el sistema comience a buscar satélites. Arranque los motores cuando el icono RTK muestre FIX o el estado de la orientación y el posicionamiento de la aeronave en la tabla de estado en la configuración RTK muestre FIX.



Durante el vuelo, si la estación móvil D-RTK 2 se mueve o se apaga, el RTK de la aeronave cambiará al modo GNSS y no volverá a entrar al estado RTK FIX. Reinicie la estación móvil D-RTK 2 después del vuelo y espere a que entre en el estado RTK FIX.

Modo de funcionamiento 3

1. Encienda la estación móvil D-RTK 2, espere a que el sistema se inicialice, y entre en el Modo de funcionamiento 3.
2. Encienda el control remoto y asegúrese de que se ha abierto la aplicación. Compruebe la pantalla de inicio para asegurarse de que el dispositivo de cartografía portátil esté conectado.
3. En Configuración RTK, seleccione la fuente de señal RTK para el dispositivo de cartografía portátil. Asegúrese de que la estación móvil D-RTK 2 utilizada como dispositivo de cartografía portátil esté conectada a otra estación móvil D-RTK 2 utilizada como estación base o servidor RTK de red.
4. Establezca el método de planificación en RTK portátil para la planificación de la operación.

Modo de funcionamiento 5

1. Encienda la estación móvil D-RTK 2, espere a que el sistema se inicialice, y entre en el Modo de funcionamiento 5.
2. Asegúrese de que el control remoto esté conectado a la red de emisión de la estación móvil D-RTK 2.
3. Espere a que el sistema comience a buscar satélites. Arranque los motores cuando el estado de la orientación y el posicionamiento de la aeronave en la tabla de estado en la configuración RTK muestre FIX.

Ajustes avanzados

Modo de funcionamiento 1/3/4

1. Vaya a la parte inferior de Configuración RTK y toque Configuración Avanzada.
2. La configuración varía según el producto utilizado con la estación móvil D-RTK 2. La configuración incluye gestionar la lista de controles remotos vinculados y ver y editar el nombre del dispositivo.
3. Introduzca las coordenadas y la altitud medidas* para configurarlas en la estación móvil D-RTK 2 cuando se utilice como estación base.

Modo de funcionamiento 5

1. Vaya a la parte inferior de Configuración RTK y toque Configuración Avanzada. Introduzca la contraseña de administrador para entrar a la configuración. La contraseña predeterminada es 123456.
2. Edite el nombre de la estación móvil y cambie la contraseña.
3. Introduzca las coordenadas y la altitud medidas* para configurarlas en la estación móvil D-RTK 2 cuando se utilice como estación base.
4. La contraseña se puede restaurar siguiendo las instrucciones a continuación. Mantenga presionado el botón de enlace en la estación móvil durante tres segundos y luego presione el botón Modo de funcionamiento una vez. El indicador de modo de funcionamiento cambia de rojo a verde, lo que indica que la contraseña se ha restaurado correctamente.

* Si las coordenadas introducidas en la aplicación están a más de 50 m (para el modo de funcionamiento 1) o 15 m (para el modo de funcionamiento 4 o 5) de las coordenadas reales de la estación móvil D-RTK 2, no se importarán.

Si la estación móvil D-RTK 2 se reinicia después de que las coordenadas de introducidas se hayan establecido correctamente, estas coordenadas solo se utilizarán si la diferencia entre las coordenadas reales y las coordenadas establecidas es inferior a 5 m. De lo contrario, se utilizarán las coordenadas reales.

Apéndice

Especificaciones

Receptor GNSS	Frecuencia GNSS	Recibir simultáneamente: GPS: L1, L2, L5; BeiDou: B1, B2, B3 GLONASS: F1, F2; Galileo: E1, E5A, E5B
	Precisión de posicionamiento	Punto único Horizontal: 1.5 m (RMS) Vertical: 3.0 m (RMS) RTK Horizontal: 1 cm + 1 ppm (RMS) Vertical: 2 cm + 1 ppm (RMS) 1 ppm: Por cada aumento de 1 km en distancia, la precisión será de 1 mm menos. Por ejemplo, la precisión horizontal es de 1.1 cm cuando el extremo receptor está a 1 km de distancia de la estación base.
	Tasa de actualización de posicionamiento	1 Hz, 2 Hz, 5 Hz, 10 Hz y 20 Hz
	Encendido en frío	<45 s
	Encendido en caliente (reencendido)	<10 s
	Tiempo de recaptura	<1 s
	Fiabilidad de inicialización	>99.9 %
	Formato de datos diferenciales	RTCM 2.x/3.x

Comunicación y almacenamiento de datos	Conexión de datos	OcuSync, LAN, 4G, Wi-Fi
	Frecuencia de funcionamiento	2.4000-2.4835 GHz, 5.725-5.850 GHz
	PIRE	OcuSync 2.4 GHz SRRC/CE/MIC/KCC: <20 dBm FCC/NCC: <26 dBm 5.8 GHz SRRC/NCC/FCC: <26 dBm; CE: <14 dBm Wi-Fi 2.4 GHz SRRC/CE/MIC/KCC: <20 dBm FCC/NCC: <22 dBm 5.8 GHz SRRC/NCC/FCC: <22 dBm
	Distancia de comunicación OcuSync	Modo de funcionamiento 1/3 SRRC/NCC/FCC/MIC/KCC/CE: 2 km (Sin obstrucciones y sin interferencias, cuando la estación móvil D-RTK 2 se usa como estación base y la distancia de la antena de la D-RTK 2 a la parte inferior del trípode es de 1.8 m, cuando la diferencia de altura entre el control remoto y la D-RTK 2 es inferior a 2 m, y cuando el control remoto está a 1.2 m del nivel del suelo) Modo de funcionamiento 4 Entre la aeronave y la estación móvil: NCC/FCC: 7 km; SRRC/MIC/KCC/CE: 5 km Entre el control remoto y la estación móvil: 200 m (Sin obstrucciones y sin interferencias a una altitud de vuelo de aproximadamente 120 m, cuando la distancia desde la antena D-RTK 2 hasta la parte inferior del trípode sea de 1.8 m y cuando el control remoto esté a 1.2 m del nivel del suelo) Modo de funcionamiento 5 NCC/FCC: 12 km; SRRC/MIC/KCC/CE: 6 km (Sin obstrucciones y sin interferencias, cuando la distancia desde la antena D-RTK 2 hasta la parte inferior del trípode sea de 1.8 m)
	Capacidad de memoria	16 GB
IMU	Funciones	Acelerómetro de 6 ejes incorporado de alta precisión Supervisión de movimiento de la D-RTK 2 Medidas de pendiente Nivel de burbuja electrónico
Características eléctricas	Consumo eléctrico	12 W
	Fuente de alimentación	De 16.5 a 58.8 V de CC
	Batería	Tipo: Batería de iones de litio Capacidad: 4920 mAh Energía: 37.3 WH
	Tiempo de funcionamiento	Batería WB37: >2 h

Características físicas	Dimensiones (cuerpo de la D-RTK 2 con brazo extensor)	168 mm × 168 mm × 1708 mm
	Nivel IP	IP65
Temperatura de funcionamiento	de -20 a 55 °C (de -4 a 131 °F)	

Actualización del firmware

Actualice el firmware de la D-RTK 2 en el software DJI Assistant 2 o en la aplicación*. Las siguientes instrucciones utilizan el software DJI Assistant 2, por ejemplo.

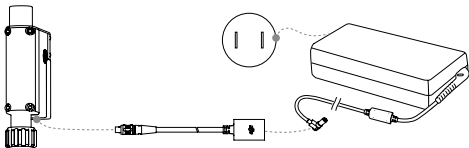
1. Encienda la estación móvil D-RTK 2.
2. Conecte la estación móvil D-RTK 2 al ordenador a través del cable USB-C.
3. Abra DJI Assistant 2 e inicie sesión con sus datos de cuenta DJI.
4. Haga clic en la D-RTK 2 y luego haga clic en la etiqueta de actualización del firmware.
5. Seleccione la versión de firmware deseada.
6. DJI Assistant 2 descargará e instalará la actualización del firmware automáticamente.

* Se requiere una versión de la aplicación que admita la actualización del firmware.

Uso de accesorios

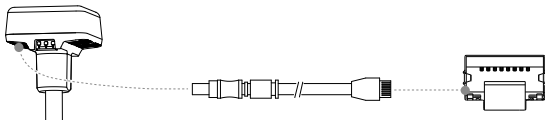
Cable de alimentación

Conecte el cable de alimentación II al puerto de alimentación externo, luego conecte el adaptador de alimentación a una toma de corriente (100-240 V, 50/60 Hz) con el cable de alimentación de CA.



Cable LAN

Utilice el cable LAN para acceder a la red pública.



Asegúrese de cumplir con las leyes y regulaciones locales cuando transmita información de posicionamiento satelital en una red pública.

El contenido está sujeto a cambios.

Descargue la última versión en
<http://www.dji.com/d-rtk-2>

Clause d'exclusion de responsabilité

Merci d'avoir acheté la station GNSS mobile D-RTK™ 2 de haute précision (ci-après dénommée « le Produit ».). Lisez attentivement la présente clause d'exclusion de responsabilité avant d'utiliser ce Produit. En utilisant ce Produit, vous acceptez la présente clause d'exclusion de responsabilité et confirmez l'avoir lue dans son intégralité. Veuillez strictement utiliser ce Produit conformément au manuel et respecter la mise en garde. SZ DJI TECHNOLOGY CO., LTD., et ses sociétés affiliées n'assument aucune responsabilité pour les dommages ou blessures encourus directement ou indirectement par l'utilisation, l'installation ou la réinstallation incorrecte de ce Produit, y compris, mais sans s'y limiter, l'utilisation d'accessoires non désignés.

DJI™ est une marque commerciale de SZ DJI TECHNOLOGY CO., LTD. (« DJI » en abrégé) et de ses sociétés affiliées. Les noms de produits, de marques, etc. apparaissant dans le présent manuel sont des marques commerciales ou des marques déposées de leurs détenteurs respectifs. Ce Produit et ce manuel sont la propriété de DJI, et tous les droits sont réservés. Aucune partie de ce Produit ou du présent manuel ne peut être reproduite sous quelque forme que ce soit sans l'autorisation ou le consentement écrit préalable de DJI.

Cette clause de non-responsabilité est disponible en plusieurs langues. En cas de divergence entre les différentes versions, la version chinoise prévaut lorsque le produit en question est acheté en Chine, et la version anglaise prévaut lorsque le produit en question est acheté dans toute autre région.

Avertissements

1. Pour maximiser la durée de vie de la batterie, retirez la batterie intelligente de la station mobile D-RTK 2 lorsque celle-ci n'est pas utilisée.
2. Utilisez uniquement la D-RTK 2 dans la bande de fréquences correspondante et conformément aux lois et réglementations locales.
3. NE PAS tordre ou plier les câbles de manière excessive.
4. Assurez-vous que la station mobile D-RTK 2 est parfaitement à niveau lorsqu'elle est montée et installée.
5. Utilisez l'appareil dans un environnement ouvert, sans interférences radio. Éteignez les appareils à proximité qui utilisent les mêmes fréquences que la station mobile D-RTK 2 (par exemple, les émetteurs-récepteurs radio).
6. Veillez à ce que les antennes de tous les appareils utilisés ne soient pas obstruées lors de leur utilisation.
7. N'utilisez que des pièces officielles DJI ou certifiées par DJI. L'utilisation de pièces non homologuées ou provenant de fabricants non certifiés par DJI peut entraîner des dysfonctionnements système et compromettre votre sécurité.
8. Assurez-vous que la station mobile D-RTK 2 et ses composants sont exempts de toute contamination (par exemple, eau, huile, terre et sable).
9. N'essayez pas de démonter une partie de la station mobile D-RTK 2 qui a été montée a priori avant l'expédition.
10. Manipulez les extrémités pointues de la barre d'extension et du trépied avec précaution.
11. Prenez les mesures nécessaires pour protéger la station mobile D-RTK 2 et ses batteries contre l'eau en cas de pluie, de neige et/ou d'orage. Faites preuve de prudence dans des conditions météorologiques difficiles.

Introduction

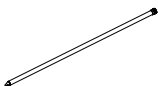
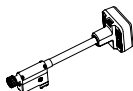
La station mobile GNSS de haute précision D-RTK 2 est un récepteur de signal satellite haute précision de nouvelle génération compatible avec quatre systèmes mondiaux de navigation par satellite : GPS, BEIDOU, GLONASS et Galileo avec réception du signal* satellite sur 11 bandes. Son OCUSYNC™ et ses liaisons de transmission de données LAN et 4G intégrées garantissent une transmission de données stable et ininterrompue dans divers scénarios d'application. La station mobile D-RTK 2 peut être utilisée comme station de base mobile RTK pour obtenir une précision de positionnement au centimètre près d'un appareil équipé d'un système de positionnement DJI RTK (tel que AGRAS T20, T16, MG-1P RTK, Phantom 4 RTK, P4 Multispectral, MATRICE™ 300 RTK, ou Matrice 210 RTK V2). Même si elle se trouve dans des environnements à fortes interférences magnétiques, par exemple à proximité de lignes électriques à haute tension ou de structures métalliques, ses fonctions ne seront pas compromises. La station mobile D-RTK 2 peut également être utilisée en tant que périphérique de cartographie portatif pour obtenir une précision accrue du positionnement lors des relevés topographiques et de la cartographie, du lofting et autres applications d'ingénierie. En outre, la station mobile D-RTK 2 peut être utilisée comme station de base RTK fixe pour créer rapidement des services réseau RTK**.

* Référez-vous aux spécifications pour plus de détails.

** Pris en charge ultérieurement. DJI fournit uniquement des services techniques, les utilisateurs doivent se conformer aux lois, réglementations et exigences locales pour la construction de services RTK en réseau.

Contenu de l'emballage

Boîtier de la D-RTK 2 x 1 Barre d'extension x 1 Station de recharge x 1



Adaptateur d'alimentation CA x 1 Batterie intelligente (WB37) x 2 Couverture de batterie x 1



Câble d'alimentation CA x 1 Câble USB-C x 1 Câble USB-C OTG x 1 Clé hexagonale x 1



Éléments optionnels

① Trépied

② Câble d'alimentation de l'adaptateur secteur

③ Câble LAN



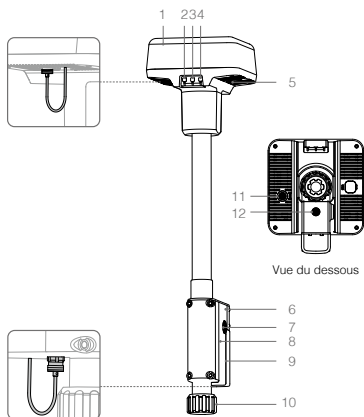
① Lorsque vous utilisez la station mobile D-RTK 2 en tant que station de base mobile, utilisez le trépied pour supporter le boîtier de la D-RTK 2.

② Lorsque vous utilisez la station mobile D-RTK 2 en tant que station de base fixe, utilisez le câble d'alimentation de l'adaptateur et l'adaptateur d'alimentation CA pour vous brancher au secteur pour une alimentation de longue durée.

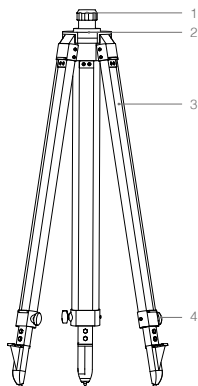
③ Lorsque vous utilisez la station mobile D-RTK 2 comme station de base fixe, utilisez le câble LAN pour vous connecter au serveur Cloud.

Vue d'ensemble

Boîtier de la D-RTK 2



Trépied



1. Antenne
2. Bouton et indicateur d'appariement
3. Bouton et indicateur d'alimentation
4. Bouton et indicateur de mode de fonctionnement
5. Port USB-C
6. Compartiment Dongle
7. Support de rosette
8. Compartiment des batteries
9. Couvercle de batterie
10. Écrou de verrouillage
11. Port LAN*
12. Port d'alimentation externe*

1. Étui
2. Base du support
3. Pattes rétractables
4. Boutons

* Equipé d'un couvercle de protection qui peut être rangé lorsque l'appareil est utilisé. Lorsqu'ils ne sont pas utilisés, couvrez les ports pour protéger l'appareil de l'humidité et de la poussière.

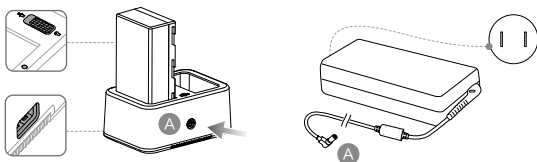
Les illustrations de ce document peuvent être légèrement différentes du produit réel. Veuillez vous reporter au produit réel.

Préparation

Recharge de la batterie

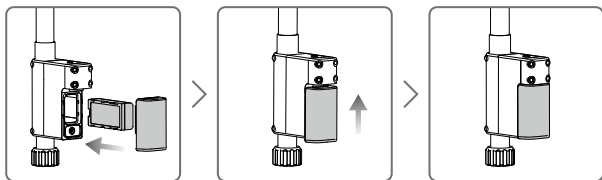
Appuyez une fois sur le bouton du niveau de batterie pour vérifier le niveau de la batterie. Chargez entièrement les batteries avant de les utiliser pour la première fois.

1. Placez la batterie dans la station de recharge, connectez l'adaptateur d'alimentation CA à la station de recharge, puis branchez l'adaptateur d'alimentation CA à une prise de courant (100 à 240 V, 50/60 Hz).
2. La station de recharge chargera intelligemment les batteries en séquence selon les niveaux de puissance des batteries, du plus élevé au plus bas.
3. La LED d'état clignote en vert lors de la charge et devient vert fixe une fois complètement chargée. Le buzzer se met à sonner lorsque la charge est terminée. Retirez la batterie ou éteignez le buzzer pour l'arrêter.



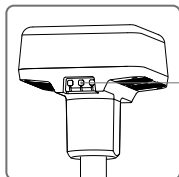
Pour plus de détails, consultez le guide d'utilisation de la station de recharge WCH2, ainsi que les directives de sécurité concernant la batterie intelligente WB37.

Montage de la batterie



Allumer et éteindre la station mobile D-RTK 2

Appuyez et maintenez le bouton d'alimentation pour allumer/éteindre la station mobile D-RTK 2.



Bouton d'alimentation

Descriptions des indicateurs d'alimentation

Rouge fixe	Initialisation du système/notification d'erreur
Clignotant rouge rapide	Le niveau de la batterie est inférieur à 20 %.
Clignotement rouge lent	Signaux de ≤ 5 satellites reçus
Jaune fixe	Signaux de 6 à 9 satellites reçus
Vert fixe	Signaux de ≥ 10 satellites reçus

Mode de fonctionnement

La station mobile D-RTK 2 propose cinq modes de fonctionnement à utiliser avec différents produits. Suivez les instructions ci-dessous pour passer d'un mode à l'autre.

- Appuyez sur le bouton Mode de fonctionnement et maintenez-le enfoncé pendant deux secondes. L'indicateur passera du vert au jaune pour indiquer que l'appareil est entré en état de changement de mode.
- Appuyez une fois sur le bouton Mode de fonctionnement pour changer de mode. Attendez deux secondes pour que l'appareil entre dans le mode correspondant. L'indicateur passera du jaune au vert. Les modes de fonctionnement sont indiqués par le clignotement de l'indicateur. Voir le tableau ci-dessous.
- L'appareil restera dans le mode d'origine si aucune opération n'est effectuée dans les deux secondes suivant l'entrée en mode de commutation.

Modes	Nom et produits compatibles	Clignotement
Mode de fonctionnement 1	Station de base mobile (T20/T16/MG-1P RTK/Phantom 4 RTK/P4 Multispectral)	Une fois
Mode de fonctionnement 2	Station de base stationnaire*	Deux fois
Mode de fonctionnement 3	Appareil cartographique portatif (T20/T16/MG-1P RTK/Phantom 4 RTK)	Trois fois
Mode de fonctionnement 4	Station de base mobile (M210 RTK V2)	Quatre fois
Mode de fonctionnement 5	Station de base mobile (mode Diffusion, M300 RTK)	Cinq fois

* Pris en charge ultérieurement.

Comment utiliser la station mobile D-RTK 2

Les opérations sont similaires lorsque l'on utilise la station mobile D-RTK 2 avec des produits différents. Sauf indication contraire, les descriptions ci-dessous sont compatibles avec tous les produits fonctionnant dans le mode correspondant.

Connexion à la radiocommande ou à l'appareil

Méthode de connexion



La méthode de connexion varie en fonction du mode de fonctionnement. Voir les instructions ci-dessous.

Mode de fonctionnement 1


Utilisation avec les appareils Agras ou Phantom 4 RTK

La station mobile D-RTK 2 doit être reliée à la radiocommande dans l'application. Les descriptions suivantes utilisent l'application DJI Agras comme exemple.

- Allumez la station mobile D-RTK 2, attendez que l'initialisation du système soit terminée, et passez en mode de fonctionnement 1.
- Allumez la radiocommande et assurez-vous que l'application est lancée.

- Dans l'application, allez à Affichage du fonctionnement >  > RTK pour activer la fonction RTK de l'appareil. Sélectionnez la source du signal RTK vers la station mobile D-RTK 2. Puis, appuyez sur Appairage (Link) en bas. L'indicateur d'état de la radiocommande clignote en bleu et un bip sonore de la radiocommande indique que la radiocommande est en cours d'appairage.
- Appuyez sur le bouton d'appairage de la station mobile D-RTK 2 et l'indicateur d'appairage clignotera alternativement en rouge et en vert, indiquant que la station mobile D-RTK 2 est en cours d'appairage.
- L'appairage est réussi lorsque le voyant lumineux de la radiocommande devient vert fixe. L'indicateur d'appairage de la D-RTK 2 indique l'état de fonctionnement actuel. Consultez le tableau ci-dessous pour plus de détails.
- La radiocommande et l'appareil doivent être reliés à nouveau après que la radiocommande ait été appairée à la station mobile D-RTK 2. Cela peut se faire de trois façons :
 - Après avoir appairé la radiocommande avec la station mobile D-RTK 2, appuyez sur Appairer avec l'appareil dans la fenêtre pop-up pour l'appairer à l'appareil. Appuyez ensuite sur le bouton d'appairage de l'appareil pour terminer la liaison.
 - Sur la page Paramètres RTK, appuyez sur le bouton  à côté de l'invite indiquant que l'appareil a été déconnecté, puis appuyez sur Appairer avec l'appareil dans la fenêtre pop-up, pour l'appairer avec l'appareil.
 - Appairer la radiocommande à l'appareil sur la page des paramètres RC. Lorsque vous avez terminé, allez à la page Paramètres RTK et appuyez sur Tenter de reconnecter à côté de l'état D-RTK 2 afin de reconnecter à la D-RTK 2. L'état D-RTK 2 doit indiquer Connexion réussie pour que les fonctions de la RTK puissent fonctionner.

Utilisation avec l'appareil multispectral P4

- Allumez la station mobile D-RTK 2, attendez que l'initialisation du système soit terminée et passez en mode de fonctionnement 1.
- Allumez la radiocommande et assurez-vous que l'application DJI GS Pro est lancée.
- Allez à la page Mission dans GS Pro, appuyez sur l'icône  ou sur RTK en haut de l'écran pour accéder au menu des paramètres RTK, puis sélectionnez D-RTK 2 comme source de signal RTK. Activez la RTK de l'appareil en bas du menu pour vous assurer que l'appareil a accès aux données RTK.
- Appuyez sur Appairage La radiocommande commence à bipper. Appuyez ensuite sur le bouton d'appairage de la station mobile.
- L'appairage est réussi lorsque le voyant lumineux de la radiocommande devient vert fixe. L'indicateur d'appairage de la D-RTK 2 indique l'état de fonctionnement actuel. Consultez le tableau ci-dessous pour plus de détails.



- Lorsque la station mobile D-RTK 2 a été connectée à la radiocommande et que l'appareil est contrôlé par la radiocommande, la station mobile D-RTK 2 ne peut pas être appairée à d'autres radiocommandes. Le cas échéant, l'appairage se fait après l'atterrissage de l'appareil et l'arrêt des moteurs.
 - Une station mobile D-RTK 2 peut être appairée à un maximum de cinq radiocommandes.
-

Mode de fonctionnement 3

La station mobile D-RTK 2 doit être appairée à la radiocommande.

- Allumez la station mobile D-RTK 2, attendez que l'initialisation du système soit terminée et passez en mode de fonctionnement 3.
- Allumez la radiocommande. Allez à Paramètres de la radiocommande dans l'application, et appuyez sur Appairage. La LED d'état clignote en bleu et la radiocommande émet deux bips répétés, indiquant que la radiocommande est prête à être appairée.
- Appuyez sur le bouton d'appairage de la station mobile D-RTK 2 et l'indicateur d'appairage clignotera alternativement en rouge et vert, indiquant que la station mobile D-RTK 2 est en cours d'appairage.
- L'appairage est réussi lorsque le voyant lumineux de la radiocommande devient vert fixe. L'indicateur d'appairage de la D-RTK 2 indique l'état de fonctionnement actuel. Consultez le tableau ci-dessous pour plus de détails.

Mode de fonctionnement 4

La station mobile D-RTK 2 doit être appairée à l'appareil M210 RTK V2.

1. Allumez l'appareil M210 RTK V2 et assurez-vous qu'il est appairé à la radiocommande.
2. Appuyez sur le bouton d'appairage de la station mobile D-RTK 2 et l'indicateur d'appairage clignotera alternativement en rouge et vert, indiquant que la station mobile D-RTK 2 est en cours d'appairage.
3. Appuyez sur le bouton d'appairage de l'appareil.
4. Attendez quelques secondes. L'appairage est réussi lorsque les voyants lumineux de l'appareil et de la station mobile passent au vert fixe.

Mode de fonctionnement 5

Lorsqu'elle est utilisée avec le M300 RTK, la radiocommande doit rejoindre le réseau de diffusion de la station mobile D-RTK 2.

1. Allumez la station mobile D-RTK 2, attendez que l'initialisation du système soit terminée et passez en mode de fonctionnement 5.
2. Allumez la radiocommande. Allez dans Paramètres RTK dans l'application DJI Pilot, et réglez la source du signal RTK sur la station mobile D-RTK 2.
3. Appuyez sur ➤ à droite de l'affichage de l'état de la station mobile D-RTK 2, et une recherche sera lancée automatiquement. Sélectionnez la station de base RTK souhaitée dans les résultats de la recherche et attendez qu'une connexion soit effectuée avec succès.

Description de l'indicateur d'appairage

Lorsque le processus d'appairage commence, l'indicateur clignote alternativement en rouge et en vert. Lorsque le processus d'appairage est terminé, l'indicateur clignote comme indiqué ci-dessous.

Mode de fonctionnement 1/3/4	État
Vert fixe	Qualité du signal OcuSync >70 %.
Clignotant vert rapide	Qualité du signal OcuSync 35 % à 70 %
Clignotement vert lent	Qualité du signal OcuSync ≤ 35 %
Rouge fixe	Qualité du signal OcuSync = 0
Mode de fonctionnement 2	État
Vert fixe	Réseau connecté.
Rouge fixe	Réseau déconnecté
Mode de fonctionnement 5	État
Vert fixe	Fonctionnement normal

Activation

Veillez à activer la station mobile D-RTK 2 avant la première utilisation. L'activation peut se faire dans l'application ou dans le logiciel DJI ASSISTANT™ 2. Les descriptions suivantes utilisent l'application comme exemple.

Utilisation avec les appareils Agras ou Phantom 4 RTK

1. Allumez la station mobile D-RTK 2.
2. Allumez la radiocommande et assurez-vous que l'application est lancée.
3. Dans l'application, allez à Paramètres RTK pour activer la fonction RTK de l'appareil. Sélectionnez la source du signal RTK vers la station mobile D-RTK 2. Lors de la première connexion, une demande d'activation apparaîtra. Suivez les étapes à l'écran pour effectuer l'activation.

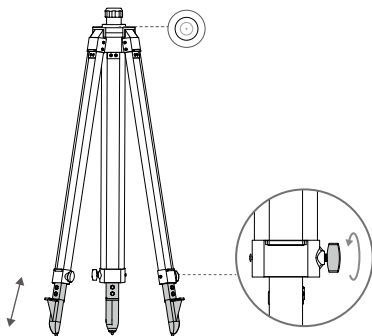
Utilisation avec l'appareil M300 RTK ou M210 RTK V2

Allumez la station mobile et assurez-vous qu'elle est appairée à l'appareil ou à la radiocommande. Lancez l'application DJI Pilot et suivez les étapes à l'écran pour l'activer.

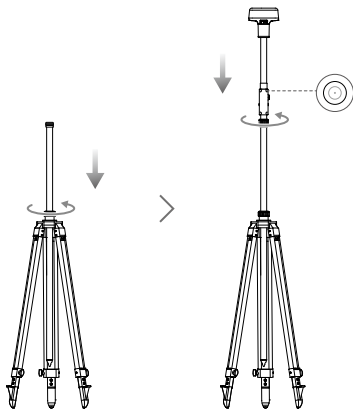
Installation

Lorsqu'elle est utilisée comme station de base mobile, choisissez une zone ouverte pour installer la station mobile D-RTK 2. Marquez l'emplacement et alignez le centre du trépied avec la marque pour vous assurer que la station mobile D-RTK 2 peut être replacée au même endroit.

1. Dépliez le trépied, étirez les trois pattes rétractables à la longueur souhaitée, puis serrez chacun des trois boutons. Assurez-vous que la bulle du niveau à bulle sur la base de montage est située à l'intérieur du cercle noir (vue du dessus du niveau à bulle verticalement) tout en gardant le trépied bien en place.



2. Insérez la barre d'extension dans le trépied et serrez l'étui sur le trépied. Fixez ensuite le boîtier du D-RTK 2 sur la barre d'extension et serrez l'écrou de verrouillage du boîtier du D-RTK 2. Assurez-vous que la bulle du niveau à bulle de la D-RTK 2 est située dans le cercle noir (vue du dessus du niveau à bulle verticalement).





- NE changez PAS la position ou l'angle du trépied ou de la station mobile D-RTK 2 après que le trépied a été mis à niveau, sinon il faudra le réajuster.
- Le lieu de l'installation doit offrir un champ de vision étendu. Assurez-vous qu'il n'y ait pas d'obstacles (arbres, bâtiments) dans la zone à plus de 15° au-dessus du plan horizontal de l'antenne D-RTK 2 afin d'éviter que les signaux GNSS ne soient absorbés ou bloqués.
- Le lieu de l'installation doit être éloigné d'au moins 200 m des sources d'émission radio de forte puissance (telles que les stations de télévision, les stations micro-ondes, etc.) et d'au moins 50 m des lignes de transmission à haute tension ; cela permettra d'éviter toute interférence électromagnétique avec les signaux GNSS.
- Le lieu de l'installation doit être éloigné des grandes étendues d'eau ou d'objets qui interfèrent fortement avec la réception des signaux satellites afin de réduire les effets de trajets multiples.

Utilisation

Les modes de fonctionnement disponibles varient en fonction des produits utilisés avec la station mobile D-RTK 2. Sélectionnez le mode de fonctionnement correspondant en fonction du produit utilisé et suivez les instructions ci-dessous.

Instructions

Mode de fonctionnement 1/4

1. Soulevez la barre d'extension dans le trépied pour ajuster la station mobile D-RTK 2 à la hauteur souhaitée et serrez l'étui.
2. Allumez la station mobile D-RTK 2, attendez que l'initialisation du système soit terminée et passez en mode de fonctionnement 1 ou 4.
3. Allumez la radiocommande et l'appareil et assurez-vous que l'application est lancée.
4. Dans l'application, allez à Paramètres RTK pour activer la fonction RTK de l'appareil. Réglez la source du signal RTK sur la station mobile D-RTK 2 et consultez l'affichage de l'état pour vérifier la connexion. Lorsque vous utilisez un appareil P4 Multispectral, appuyez sur Connecter pour établir une connexion avec la station de base.
5. Attendez que le système initie la recherche de satellites. Démarrez les moteurs lorsque l'icône RTK affiche FIX ou lorsque l'état de l'orientation et du positionnement de l'appareil dans le tableau d'état des paramètres RTK affiche FIX.



Pendant le vol, si la station mobile D-RTK 2 est déplacée ou si elle est mise hors tension, le RTK de l'appareil passera en mode GNSS et n'entrera plus dans le statut RTK FIX. Redémarrez la station mobile D-RTK 2 après le vol, puis attendez qu'elle passe au statut RTK FIX.

Mode de fonctionnement 3

1. Allumez la station mobile D-RTK 2, attendez que l'initialisation du système soit terminée et passez en mode de fonctionnement 3.
2. Allumez la radiocommande et assurez-vous que l'application est lancée. Vérifiez l'écran d'accueil pour vous assurer que l'appareil de cartographie portable est bien connecté.
3. Dans Paramètres RTK, sélectionnez la source de signal RTK pour l'appareil de cartographie portable. Assurez-vous que la station mobile D-RTK 2 utilisée comme appareil de cartographie portable est bien connectée à une autre station mobile D-RTK 2 utilisée comme station de base, ou à un serveur RTK de réseau.
4. Configurez la méthode de planification sur RTK portable pour la planification des opérations.

Mode de fonctionnement 5

1. Allumez la station mobile D-RTK 2, attendez que l'initialisation du système soit terminée et passez en mode de fonctionnement 5.
2. Assurez-vous que la radiocommande est bien connectée au réseau de diffusion de la station mobile D-RTK 2.
3. Attendez que le système initie la recherche de satellites. Démarrez les moteurs lorsque l'état de l'orientation et du positionnement de l'appareil dans le tableau d'état des paramètres RTK indique FIX.

Paramètres avancés

Mode de fonctionnement 1/3/4

1. Allez au bas des Paramètres RTK et appuyez sur Paramètres avancés.
2. Les paramètres varient en fonction du produit utilisé avec la station mobile D-RTK 2. Les paramètres incluent la gestion de la liste des radiocommandes appairées, ainsi que l'affichage et la modification du nom de l'appareil.
3. Saisissez les coordonnées et l'altitude mesurées* afin de les configurer sur la station mobile D-RTK 2, lorsque celle-ci est utilisée comme station de base.

Mode de fonctionnement 5

1. Allez au bas des Paramètres RTK et appuyez sur Paramètres avancés. Saisissez le mot de passe administrateur pour entrer dans la configuration. Le mot de passe par défaut est 123456.
2. Modifiez le nom de la station mobile et changez le mot de passe.
3. Saisissez les coordonnées et l'altitude mesurées* afin de les configurer sur la station mobile D-RTK 2, lorsque celle-ci est utilisée comme station de base.
4. Le mot de passe peut être réinitialisé en suivant les instructions ci-dessous. Appuyez sur le bouton d'appairage de la station mobile et maintenez-le enfoncé pendant trois secondes, puis appuyez une fois sur le bouton Mode de fonctionnement. L'indicateur de mode de fonctionnement passe du rouge au vert, indiquant que le mot de passe a été réinitialisé avec succès.

* Si les coordonnées entrées dans l'application sont éloignées de plus de 50 m (pour le mode de fonctionnement 1) ou de 15 m (pour le mode de fonctionnement 4 ou 5) des coordonnées réelles de la station mobile D-RTK 2, celles-ci ne seront pas importées.

Si la station mobile D-RTK 2 est redémarrée après que les coordonnées entrées ont été configurées avec succès, ces coordonnées ne seront utilisées que si la différence entre les coordonnées réelles et les coordonnées configurées est inférieure à 5 m. Sinon, ce sont les coordonnées de positionnement réelles qui seront utilisées.

Annexe

Caractéristiques techniques

Récepteur GNSS	Fréquence GNSS	Reçoivent simultanément : GPS : L1, L2, L5 ; BeiDou : B1, B2, B3 GLONASS : F1, F2 ; Galileo : E1, E5A, E5B
	Précision de positionnement	Point unique Horizontal : 1,5 m (RMS) Vertical : 3 m (RMS) RTK Horizontal : 1 cm + 1 ppm (RMS) Vertical : 2 cm + 1 ppm (RMS) 1 ppm : Pour chaque 1 km supplémentaire de distance, la précision est réduite de 1 mm. Par exemple, la précision horizontale est de 1,1 cm lorsque le récepteur se trouve à 1 km de la station de base.
	Taux de mise à jour du positionnement	1 Hz, 2 Hz, 5 Hz, 10 Hz et 20 Hz
	Démarrage à froid	< 45 s
	Démarrage à chaud	< 10 s
	Délai de récupération	< 1 s
	Fiabilité de l'initialisation	> 99,9 %
	Format de données différentielles	RTCM 2.X/3.X

Communication et stockage des données	Liaison des données	OcuSync, Wi-Fi, LAN, 4G
	Fréquence de fonctionnement	2.4000-2.4835 GHz, 5.725-5.850 GHz
	EIRP	OcuSync 2,4 GHz SRRC/CE/MIC/KCC : < 20 dBm FCC/NCC : < 26 dBm 5,8 GHz SRRC/NCC/FCC : < 26 dBm ; CE : < 14 dBm Wi-Fi 2,4 GHz SRRC/CE/MIC/KCC : < 20 dBm FCC/NCC : < 22 dBm 5,8 GHz SRRC/NCC/FCC : < 22 dBm
	Distance de communication OcuSync	Mode de fonctionnement 1/3 SRRC/NCC/FCC/MIC/KCC/CE : 2 km (Libre et sans interférence, lorsque la station mobile D-RTK 2 est utilisée comme station de base et que la distance entre l'antenne D-RTK 2 et le bas du trépied est de 1,8 m, lorsque la différence de hauteur entre la radiocommande et le D-RTK 2 est inférieure à 2 m, et lorsque la radiocommande est à 1,2 m du sol) Mode de fonctionnement 4 Entre l'appareil et la station mobile : NCC/FCC : 7 km ; SRRC/MIC/KCC/CE : 5 km Entre la radiocommande et la station mobile : 200 m (Libre et sans interférence à une altitude de vol d'environ 120 m, lorsque la distance entre l'antenne D-RTK 2 et le bas du trépied est de 1,8 m, et lorsque la radiocommande se trouve à 1,2 m du sol) Mode de fonctionnement 5 NCC/FCC : 12 km ; SRRC/MIC/KCC/CE : 6 km (Libre et sans interférence, lorsque la distance entre l'antenne D-RTK 2 et le bas du trépied est de 1,8 m)
	Capacité mémoire	16 Go
IMU	Fonctionnalités	Accéléromètre 6 axes intégré de haute précision Surveillance des mouvements D-RTK 2 Mesures d'inclinaison Niveau à bulle électronique
Caractéristiques électriques	Consommation électrique	12 W
	Alimentation	16,5 à 58,8 V c.c.
	Batterie	Type : Batterie Lithium-ion Capacité : 4 920 mAh Énergie : 37,3 Wh
	Autonomie	Batterie WB37 : > 2 h
Caractéristiques physiques	Dimensions (boîtier de la D-RTK 2 avec la barre d'extension)	168 mm × 168 mm × 1 708 mm
	Indice de protection	IP65
Température de fonctionnement	-20° à 55° C	

Mise à jour du firmware

Mettez à jour le firmware D-RTK 2 dans le logiciel DJI Assistant 2 ou dans l'application*. Les instructions suivantes utilisent par exemple le logiciel DJI Assistant 2.

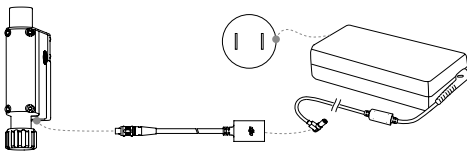
1. Allumez la station mobile D-RTK 2.
2. Connectez la station mobile D-RTK 2 à l'ordinateur via le câble USB-C.
3. Lancez DJI Assistant 2 et connectez-vous à l'aide de votre compte DJI.
4. Cliquez sur D-RTK 2, puis sur la balise de mise à jour du firmware.
5. Sélectionnez la version de firmware souhaitée.
6. DJI Assistant 2 téléchargera et mettra le firmware à jour automatiquement.

* Une version de l' application qui prend en charge la mise à jour du firmware est nécessaire.

Utilisation des accessoires

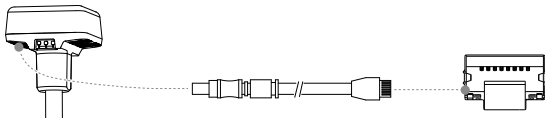
Câble d'alimentation de l'adaptateur secteur

Connectez le câble de l'adaptateur d'alimentation au port d'alimentation externe, puis branchez l'adaptateur d'alimentation à une prise de courant (100 à 240 V, 50/60 Hz) avec le câble d'alimentation CA.



Câble LAN

Utilisez le câble LAN pour accéder au réseau public.



Veillez à respecter les lois et réglementations locales lorsque vous transmettez des informations de positionnement par satellite sur un réseau public.

Contenu sujet à modifications.

Téléchargez la dernière version sur
<http://www.dji.com/d-rtk-2>

Limitazioni di responsabilità

Grazie per aver acquistato la Stazione mobile ad alta precisione D-RTK™ 2 (qui di seguito denominata il "Prodotto"). Leggere attentamente le presenti limitazioni di responsabilità prima di utilizzare questo prodotto. Utilizzando il prodotto, l'utente accetta le presenti limitazioni di responsabilità e dichiara di averle lette per intero. Utilizzare questo prodotto in conformità con quanto riportato nel manuale e assicurarsi di rispettare le avvertenze. SZ DJI TECHNOLOGY CO., LTD. e le sue società affiliate declinano ogni responsabilità per danni o lesioni direttamente o indirettamente imputabili all'utilizzo, all'installazione o al refitting impropri del Prodotto, ivi compreso, a titolo esemplificativo, l'uso di accessori non destinati ad esso.

DJI™ è un marchio registrato di SZ DJI TECHNOLOGY CO., LTD. (abbreviato come "DJI") e delle sue società affiliate. I nomi di prodotti, marchi e altre informazioni citati nel presente documento sono marchi o marchi registrati delle rispettive società proprietarie. Il presente Prodotto e il relativo manuale sono protetti da copyright di proprietà di DJI e tutti i diritti sono riservati. Nessuna parte di questo Prodotto o del relativo manuale potrà essere riprodotta, in qualsiasi forma, senza previa autorizzazione o consenso scritto da parte di DJI.

Le presenti limitazioni di responsabilità sono redatte in varie lingue. In caso di divergenza tra versioni differenti, prevarrà la versione in lingua cinese, qualora il prodotto in questione venga acquistato in Cina, e la versione in inglese qualora il prodotto venga acquistato in qualunque altro Paese.

Avvertenze

1. Al fine di massimizzare la durata di vita della batteria, rimuovere la batteria intelligente dalla Stazione mobile D-RTK 2 quando non la si utilizza.
2. Usare D-RTK 2 esclusivamente nella banda di frequenza corrispondente e in conformità con le leggi e normative locali.
3. NON piegare o curvare eccessivamente i cavi.
4. Accertarsi che la Stazione mobile D-RTK 2 sia perfettamente in piano durante il montaggio e il posizionamento.
5. Operare esclusivamente in un ambiente aperto privo di interferenze radio. Spegnerne i dispositivi situati nelle vicinanze che usano le stesse frequenze della Stazione mobile D-RTK 2 (ad es. ricetrasmittitori radio).
6. Accertarsi che le antenne di tutti i dispositivi usati non siano ostruite durante l'uso.
7. Utilizzare esclusivamente componenti originali DJI o certificati da DJI. Componenti non autorizzati o prodotti forniti da costruttori sprovvisti di certificazione DJI possono causare il funzionamento anomalo del sistema e comprometterne la sicurezza.
8. Accertarsi che la Stazione mobile D-RTK 2 e i suoi componenti non siano contaminati (ad es. da acqua, olio, terra e sabbia).
9. NON tentare di smontare i componenti della Stazione mobile D-RTK 2 già montati prima della spedizione.
10. Maneggiare le estremità affilate del manico telescopico e del treppiede facendo attenzione.
11. Adottare le misure necessarie atte a proteggere la Stazione mobile D-RTK 2 e le batterie dall'acqua di pioggia, neve e/o temporali. Fare attenzione durante l'uso in condizioni meteorologiche avverse.

Introduzione

La Stazione mobile GNSS ad alta precisione D-RTK 2 è un ricevitore di segnale satellitare ad alta precisione che supporta quattro sistemi globali di navigazione satellitare: GPS, BEIDOU, GLONASS e Galileo con ricezione del segnale satellitare a undici bande*. I collegamenti integrati alla trasmissione dati OCUSYNC™, LAN e 4G assicurano una trasmissione stabile e ininterrotta dei dati in diversi scenari applicativi. La Stazione mobile D-RTK 2 può essere utilizzata come base mobile RTK per rilevare, con precisione centimetrica, il posizionamento di un aeromobile dotato di un sistema di posizionamento DJI RTK (come Agras T20, T16, MG-1P RTK, Phantom 4 RTK, P4 Multispectral, MATRICE™ 300 RTK, o Matrice 210 RTK V2). Sono garantite alte prestazioni operative anche in ambienti con forti interferenze magnetiche, come in prossimità di linee elettriche o di strutture metalliche. La stazione mobile D-RTK 2 può anche essere utilizzata come dispositivo portatile per ottenere maggiore precisione nel posizionamento dei punti durante rilievi e mappature, oppure per la creazione di modelli o altre applicazioni tecniche. Inoltre, la Stazione mobile D-RTK 2 può essere utilizzata come stazione di base RTK fissa per generare rapidamente servizi** RTK di rete.

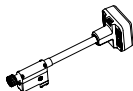
* Per informazioni dettagliate, fare riferimento alle Caratteristiche tecniche.

** Supportato in seguito. DJI fornisce esclusivamente servizi tecnici; gli utenti devono rispettare le leggi, le normative e i requisiti locali sullo sviluppo di servizi RTK di rete.

Contenuto della confezione

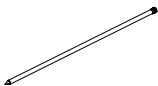
Corpo di D-RTK 2

x1



Manico telescopico

x1



Stazione di ricarica

x1



Adattatore di alimentazione CAx1



Batteria intelligente (WB37)

x2



Sportello del vano batteria

x1



Cavo di alimentazione CA

x1



Cavo USB-C

x1



Cavo USB-C OTG

x1



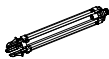
Chiave esagonale

x1



Componenti opzionali

① Treppiede



② Cavo per adattatore di alimentazione



③ Cavo LAN



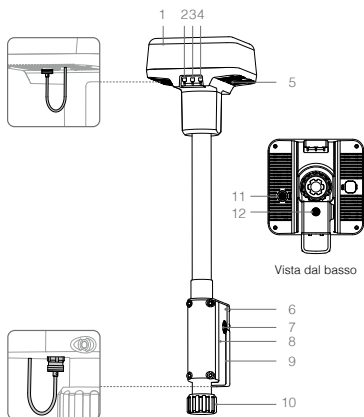
① Quando si utilizza la Stazione mobile D-RTK 2 come stazione di base mobile, utilizzare il treppiede per supportare il corpo di D-RTK 2.

② Quando si utilizza la Stazione mobile D-RTK 2 come stazione di base fissa, utilizzare l'adattatore di alimentazione e l'adattatore di alimentazione CA per eseguire il collegamento alla fonte di alimentazione CA e consentire l'alimentazione a lungo termine.

③ Quando si utilizza la Stazione mobile D-RTK 2 come stazione di base fissa, utilizzare il cavo LAN per accedere al server cloud.

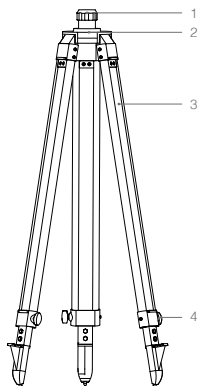
Panoramica generale

Corpo di D-RTK 2



Vista dal basso

Treppiede



1. Antenna
2. Pulsante di collegamento e indicatore
3. Pulsante di accensione e indicatore
4. Pulsante modalità di funzionamento e indicatore
5. Porta USB-C
6. Vano della chiave
7. Supporto a rosetta
8. Vano batteria
9. Sportello del vano batteria
10. Controdado
11. Porta LAN*
12. Porta di alimentazione esterna*

1. Manicotto
2. Base supporto
3. Gambe retrattili
4. Manopole

* Dotata di sportello protettivo che è possibile conservare quando l'unità è in uso. Quando non la si utilizza, coprire le porte onde proteggere l'unità da umidità e polvere.

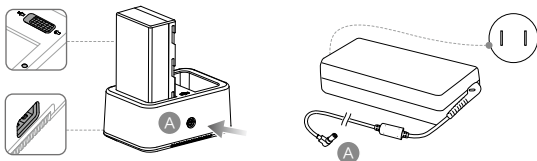
Le illustrazioni in questo documento potrebbero essere leggermente diverse dal prodotto reale. Il prodotto reale funge da riferimento finale.


Preparazione

Ricarica della batteria

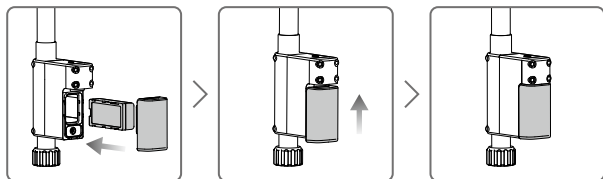
Premere una volta il pulsante del livello di carica della batteria per controllare il livello. Ricaricare completamente le batterie prima del primo utilizzo.

1. Posizionare la batteria nella stazione di ricarica, collegare l'adattatore di alimentazione CA alla stazione di ricarica e successivamente a una presa di alimentazione (100 – 240V, 50/60 Hz).
2. La stazione di ricarica caricherà batterie in modo intelligente in sequenza in base al loro livello di carica residua, dal più alto al più basso.
3. Il LED di stato lampeggia in verde durante la ricarica e si illumina di verde fisso una volta terminato di caricare. Al termine della ricarica, il buzzer inizierà ad emettere dei segnali acustici. Rimuovere la batteria o spegnere il buzzer per arrestarlo.



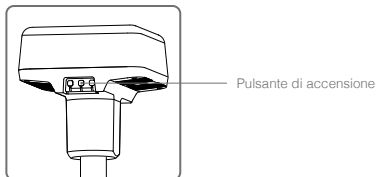
 Per informazioni dettagliate, fare riferimento al Manuale d'uso della stazione di ricarica WCH2 e alle Linee guida sulla sicurezza della batteria intelligente WB37.

Inserimento della batteria



Accensione/Spengimento della Stazione mobile D-RTK 2

Premere e tenere premuto il pulsante di accensione per accendere/spengere la Stazione mobile D-RTK 2.



Descrizioni dell'indicatore di alimentazione

Rosso fisso	Inizializzazione del sistema/notifica di errore
Lampeggio rosso rapido	Il livello della batteria è inferiore al 20%
Lampeggio rosso lento	Ricevuti segnali da ≤ 5 satelliti
Giallo fisso	Ricevuti segnali da 6 – 9 satelliti
Verde fisso	Ricevuti segnali da ≥ 10 satelliti

Modalità di funzionamento

La Stazione mobile D-RTK 2 conta di cinque modalità di funzionamento per l'uso con prodotti differenti. Procedere come segue per passare da una modalità all'altra.

1. Premere e tenere premuto il pulsante Modalità di funzionamento per due secondi. L'indicatore passerà dal verde al giallo, per indicare che il dispositivo è entrato nello stato di cambio di modalità.
2. Premere una volta il pulsante Modalità di funzionamento per passare da una modalità all'altra. Attendere due secondi perché il dispositivo entri nella modalità corrispondente. L'indicatore passerà dal giallo al verde. Le modalità di funzionamento sono indicate dallo schema di lampeggiamento dell'indicatore. Fare riferimento alla tabella seguente.
3. Il dispositivo resterà nella modalità originale in caso di assenza di ulteriori operazioni entro due secondi dall'attivazione dello stato di cambio di modalità.

Modalità	Nome e prodotti compatibili	Schema di lampeggiamento
Modalità di funzionamento 1	Stazione base mobile (T20/T16/MG-1P RTK/Phantom 4 RTK/P4 Multispectral)	Una volta
Modalità di funzionamento 2	Stazione base fissa*	Due volte
Modalità di funzionamento 3	Dispositivo di mappatura portatile (T20/T16/MG-1P RTK/Phantom 4 RTK)	Tre volte
Modalità di funzionamento 4	Stazione base mobile (M210 RTK V2)	Quattro volte
Modalità di funzionamento 5	Stazione base mobile (modalità Broadcast, M300 RTK)	Cinque volte

* Supportato in seguito.

Come usare la stazione mobile D-RTK 2

Le operazioni sono simili quando si usa la Stazione mobile D-RTK 2 con prodotti differenti. Fatto salvo per quanto diversamente specificato, le descrizioni seguenti sono compatibili con tutti i prodotti che funzionano nella modalità corrispondente.

Connessione al radiocomando o all'aeromobile

Metodo di connessione



Il metodo di connessione varia in base alla modalità di funzionamento. Vedere le istruzioni qui di seguito.

Modalità di funzionamento 1


Utilizzo con aeromobili Agras o Phantom 4 RTK

La Stazione mobile D-RTK 2 deve essere connessa al radiocomando nell'app. Le descrizioni qui di seguito si riferiscono all'app DJI Agras quale esempio.

1. Accendere la Stazione mobile D-RTK 2, attendere il completamento dell'inizializzazione del sistema e accedere alla Modalità di funzionamento 1.
2. Accendere il radiocomando e accertarsi che l'app sia avviata.

3. Nell'app, andare a Operation View >  > RTK per attivare la funzione RTK dell'aeromobile. Impostare la fonte del segnale RTK su Stazione mobile D-RTK 2. Successivamente, toccare Linking in basso. L'indicatore di stato dell'aeromobile lampeggerà di blu e il radiocomando emetterà un segnale acustico a indicare l'effettuazione della connessione.
4. Premere il pulsante di collegamento della Stazione mobile D-RTK 2 e l'indicatore di collegamento lampeggerà alternativamente di rosso e verde, a indicare l'effettuazione della connessione della Stazione mobile D-RTK 2.
5. Il collegamento ha successo quando il LED indicatore sul radiocomando si accende di verde fisso. L'indicatore di collegamento D-RTK 2 mostra lo stato di funzionamento attuale. Per informazioni dettagliate, fare riferimento alla tabella seguente.
6. Una volta connesso il radiocomando alla Stazione mobile D-RTK 2, è necessario eseguire nuovamente il collegamento tra il radiocomando e l'aeromobile. Vi sono tre modi per farlo:
 - Una volta collegato il radiocomando alla Stazione mobile D-RTK 2, toccare Link with Aircraft nella finestra pop-up per eseguire il collegamento con l'aeromobile. Successivamente, premere il pulsante di collegamento dell'aeromobile per terminare.
 - Nella pagina delle impostazioni RTK, toccare il pulsante  accanto al messaggio indicante che l'aeromobile è stato disconnesso, quindi toccare Link with Aircraft nella finestra pop-up per eseguire il collegamento con l'aeromobile.
 - Collegare il radiocomando con l'aeromobile nella pagina delle impostazioni RC. Una volta terminato, andare alla pagina delle impostazioni RTK e toccare Try to Reconnect accanto allo stato di D-RTK 2 per eseguire nuovamente il collegamento a D-RTK 2. Perché le funzioni RTK siano disponibili, lo stato di D-RTK 2 deve indicare Connection Success.

Utilizzo dell'aeromobile P4 Multispectral

1. Accendere la Stazione mobile D-RTK 2, attendere il completamento dell'inizializzazione del sistema e accedere alla Modalità di funzionamento 1.
2. Accendere il radiocomando e accertarsi che l'app DJI GS Pro sia avviata.
3. Andare a Mission Page in DJI GS Pro, toccare l'icona  o RTK nella parte superiore dello schermo per accedere al menu delle impostazioni RTK, quindi selezionare D-RTK 2 quale fonte del segnale RTK. Attivare l'RTK dell'aeromobile in basso nello schermo per accertarsi che l'aeromobile abbia accesso ai dati RTK.
4. Toccare Link. Il radiocomando inizierà a lampeggiare. Successivamente premere il pulsante di collegamento nella stazione mobile.
5. Il collegamento ha successo quando il LED indicatore sul radiocomando si accende di verde fisso. L'indicatore di collegamento D-RTK 2 mostra lo stato di funzionamento attuale. Per informazioni dettagliate, fare riferimento alla tabella seguente.



- Una volta connessa la Stazione mobile D-RTK 2 al radiocomando e l'aeromobile è controllato dal radiocomando, non è possibile connettere la Stazione mobile D-RTK 2 ad altri radiocomandi. Se necessario, eseguire il collegamento una volta atterrato l'aeromobile e arrestati i motori.
- Una Stazione mobile D-RTK 2 è in grado di connettersi con fino a cinque radiocomandi.

Modalità di funzionamento 3

La Stazione mobile D-RTK 2 deve essere connessa al radiocomando.

1. Accendere la Stazione mobile D-RTK 2, attendere il completamento dell'inizializzazione del sistema e accedere alla Modalità di funzionamento 3.
2. Accendere il radiocomando. Andare a Remote Controller Settings nell'app e toccare Linking. Il LED di stato lampeggia di blu e il radiocomando emetterà ripetutamente due segnali acustici, a indicare che è pronto per eseguire il collegamento.
3. Premere il pulsante di collegamento della Stazione mobile D-RTK 2 e l'indicatore di collegamento lampeggerà alternativamente di rosso e verde, a indicare l'effettuazione della connessione della Stazione mobile D-RTK 2.
4. Il collegamento ha successo quando il LED indicatore sul radiocomando si accende di verde fisso. L'indicatore di collegamento D-RTK 2 mostra lo stato di funzionamento attuale. Per informazioni dettagliate, fare riferimento alla tabella seguente.

Modalità di funzionamento 4

La Stazione mobile D-RTK 2 deve essere collegata all'aeromobile M210 RTK V2.

1. Accendere l'aeromobile M210 RTK V2 e accertarsi che sia connesso al radiocomando.
2. Premere il pulsante di collegamento della Stazione mobile D-RTK 2 e l'indicatore di collegamento lampeggerà alternativamente di rosso e verde, a indicare l'effettuazione della connessione della Stazione mobile D-RTK 2.
3. Premere il pulsante di collegamento nell'aeromobile.
4. Attendere alcuni secondi. Il collegamento è stato eseguito con successo una volta che i LED indicatori sull'aeromobile e sulla stazione mobile si accendono di verde fisso.

Modalità di funzionamento 5

In caso di utilizzo insieme a M300 RTK, il radiocomando deve accedere alla rete di trasmissione della Stazione mobile D-RTK 2.

1. Accendere la Stazione mobile D-RTK 2, attendere il completamento dell'inizializzazione del sistema e accedere alla Modalità di funzionamento 5.
2. Accendere il radiocomando. Andare a RTK Settings nell'app DJI Pilot e impostare la fonte del segnale RTK su Stazione mobile D-RTK 2.
3. Toccare ➤ sulla destra del display dello stato della Stazione mobile D-RTK 2 per avviare automaticamente una ricerca. Selezionare la stazione base RTK desiderata nei risultati di ricerca e attendere l'esecuzione della connessione.

Descrizione degli indicatori di collegamento

All'avvio del processo di collegamento, l'indicatore lampeggia alternativamente di rosso e verde.

Al termine del processo di collegamento, gli schemi di lampeggiamento dell'indicatore sono mostrati come segue.

Modalità di funzionamento 1/3/4	Status
Verde fisso	Qualità del segnale OcuSync >70%
Verde lampeggiante rapido	Qualità del segnale OcuSync 35% – 70%
Verde lampeggiante lento	Qualità del segnale OcuSync ≤ 35%
Rosso fisso	Qualità del segnale OcuSync = 0
Modalità di funzionamento 2	Status
Verde fisso	Connessione alla rete eseguita
Rosso fisso	Rete disconnessa
Modalità di funzionamento 5	Status
Verde fisso	Funzionamento normale

Attivazione

Accertarsi di attivare la Stazione mobile D-RTK 2 prima del primo utilizzo. È possibile eseguire l'attivazione nell'app o nel software DJI ASSISTANT™ 2. Le descrizioni qui di seguito si riferiscono all'app quale esempio.

Utilizzo con aeromobili Agras o Phantom 4 RTK

1. Accendere la Stazione mobile D-RTK 2.
2. Accendere il radiocomando e accertarsi che l'app sia avviata.
3. Nell'app, andare a RTK Settings per attivare la funzione RTK dell'aeromobile. Impostare la fonte del segnale RTK su Stazione mobile D-RTK 2. Quando si esegue la prima connessione, sarà visualizzato un avviso per l'attivazione. Seguire le istruzioni visualizzate per l'attivazione.

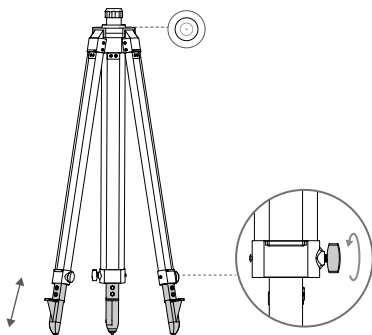
Utilizzo con aeromobili M300 RTK o M210 RTK V2

Accendere la stazione mobile e accertarsi che sia connessa all'aeromobile o al radiocomando. Avviare l'app DJI Pilot e seguire le istruzioni visualizzate per l'attivazione.

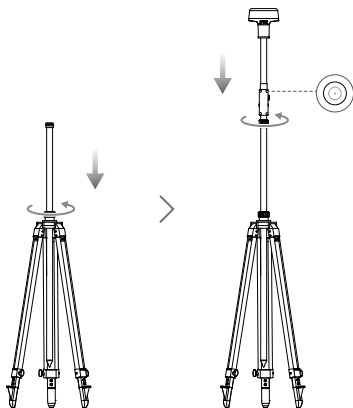
Configurazione

Durante l'uso come stazione base mobile, selezionare una zona aperta per configurare la Stazione mobile D-RTK 2. Contrassegnare l'ubicazione e allineare il centro del treppiede al contrassegno, onde accertarsi che sia possibile posizionare nuovamente la Stazione mobile D-RTK 2 nello stesso punto.

1. Aprire il treppiede, estendere le tre gambe retrattili della lunghezza desiderata, quindi serrare le tre manopole. Accertarsi che la bolla del livello bolla nella base del supporto si trovi all'interno del cerchio nero (quando vista verticalmente dall'alto del livello della bolla), mantenendo al contempo il treppiede sicuro.



2. Inserire il manico telescopico nel treppiede e serrare il manicotto sul treppiede. Successivamente, fissare il corpo di D-RTK 2 al manico telescopico e serrare il controdado sul corpo di D-RTK 2. Accertarsi che la bolla del livello bolla in D-RTK 2 si trovi all'interno del cerchio nero (quando vista verticalmente dall'alto del livello della bolla).





- NON modificare la posizione o l'angolazione del treppiede o della Stazione mobile D-RTK 2 una volta messo in piano il treppiede, altrimenti sarà necessario eseguire nuovamente la regolazione.
- L'ambiente di configurazione necessita di un campo visivo ampio. Accertarsi che non vi siano ostruzioni (alberi, edifici) entro la zona a un'angolazione di oltre 15 ° sopra il piano orizzontale dell'antenna di D-RTK 2, onde evitare l'assorbimento o il blocco dei segnali GNSS.
- Il luogo di configurazione deve trovarsi ad almeno 200 m di distanza dalle fonti di emissioni radio ad alta potenza (come stazioni televisive, stazioni di microonde, ecc.) e ad almeno 50 m di distanza dalle linee di trasmissione dell'alta tensione, onde evitare interferenze elettromagnetiche con i segnali GNSS.
- Il luogo di configurazione deve trovarsi lontano da distese d'acqua od oggetti di grandi dimensioni che interferiscono significativamente con la ricezione dei segnali satellitare, così da ridurre gli effetti multipath.

Utilizzo

Le modalità di funzionamento disponibili variano in base ai prodotti usati con la Stazione mobile D-RTK 2. Selezionare la modalità di funzionamento corrispondente in base al prodotto in uso e osservare le istruzioni qui di seguito.

Istruzioni

Modalità di funzionamento 1/4

1. Sollevare il manico telescopico del treppiede per regolare la Stazione mobile D-RTK 2 in base all'altezza desiderata e serrare il manicotto.
2. Accendere la Stazione mobile D-RTK 2, attendere il completamento dell'inizializzazione del sistema e accedere alla Modalità di funzionamento 1 o 4.
3. Accendere il radiocomando e l'aeromobile e accertarsi che l'app sia avviata.
4. Nell'app, andare a RTK Settings per attivare la funzione RTK dell'aeromobile. Impostare la fonte del segnale RTK su Stazione mobile D-RTK 2 e visualizzare il display sullo stato per verificare la connessione. Quando si usa un aeromobile P4 Multispectral, toccare Connect per stabilire una connessione con la stazione base.
5. Attendere che il sistemi avvii la ricerca dei satelliti. Avviare i motori quando l'icona RTK visualizza FIX o lo stato sia dell'orientamento, sia del posizionamento dell'aeromobile nella tabella sullo stato in RTK Setting indicano FIX.



Durante il volo, se si sposta o spegne la Stazione mobile D-RTK 2, l'aeromobile RTK passerà alla modalità GNSS e non entrerà nuovamente nello stato RTK FIX. Riavviare la Stazione mobile D-RTK 2 dopo il volo e attendere che entri nello stato RTK FIX.

Modalità di funzionamento 3

1. Accendere la Stazione mobile D-RTK 2, attendere il completamento dell'inizializzazione del sistema e accedere alla Modalità di funzionamento 3.
2. Accendere il radiocomando e accertarsi che l'app sia avviata. Verificare la schermata iniziale per accertarsi che il dispositivo di mappatura portatile sia connesso.
3. In RTK, selezionare la fonte del segnale RTK per il dispositivo di mappatura portatile. Accertarsi che la Stazione mobile D-RTK 2 usata come dispositivo di mappatura portatile sia connessa a un'altra Stazione mobile D-RTK 2 come stazione base o server RTK di rete.
4. Impostare il metodo di pianificazione su RTK portatile per la pianificazione delle operazioni.

Modalità di funzionamento 5

1. Accendere la Stazione mobile D-RTK 2, attendere il completamento dell'inizializzazione del sistema e accedere alla Modalità di funzionamento 5.
2. Accertarsi che il radiocomando sia connesso alla rete di trasmissione della Stazione mobile D-RTK 2.
3. Attendere che il sistemi avvii la ricerca dei satelliti. Avviare i motori quando lo stato sia dell'orientamento, sia del posizionamento dell'aeromobile nella tabella sullo stato in RTK Setting indicano FIX.

Impostazioni avanzate

Modalità di funzionamento 1/3/4

1. Andare in fondo a RTK Settings e toccare Advanced Settings.
2. Le impostazioni variano a seconda del prodotto usato con la Stazione mobile D-RTK 2. Le impostazioni comprendono la gestione dell'elenco di radiocomandi collegati e la visualizzazione e la modifica del nome del dispositivo.
3. Immettere le coordinate e l'altitudine* misurate per impostarle sulla Stazione mobile D-RTK 2 durante l'uso come stazione base.

Modalità di funzionamento 5

1. Andare in fondo a RTK Settings e toccare Advanced Settings. Immettere la password amministratore per accedere alla configurazione. La password predefinita è 123456.
2. Modificare il nome della stazione mobile e cambiare la password.
3. Immettere le coordinate e l'altitudine* misurate per impostarle sulla Stazione mobile D-RTK 2 durante l'uso come stazione base.
4. È possibile ripristinare la password osservando le istruzioni qui di seguito. Tenere premuto il pulsante di collegamento nella stazione mobile per tre secondi, quindi premere una volta il pulsante Operating Mode. L'indicatore della modalità di funzionamento passa dal rosso al verde, a indicare che la password è stata ripristinata con successo.

* Se le coordinate immesse nell'app si trovano a più di 50 m (per la modalità di funzionamento 1) o 15 m (per la modalità di funzionamento 4 o 5) di distanza dalle coordinate effettive della Stazione mobile D-RTK 2, non saranno importate. In caso di riavvio della Stazione mobile D-RTK 2 dopo la configurazione eseguita con successo delle coordinate inserite, tali coordinate saranno usate solo se la differenza tra le coordinate effettive e quelle inserite è inferiore a 5 m. In caso contrario, saranno utilizzate le coordinate di posizionamento effettive.

Appendice

Caratteristiche tecniche

Ricevitore GNSS	Frequenza GNSS	Ricezione simultanea: GPS: L1, L2, L5; BeiDou: B1, B2, B3 GLONASS: F1, F2; Galileo: E1, E5A, E5B
	Accuratezza di posizionamento	Punto singolo Orizzontale: 1,5 m (RMS) Verticale: 3,0 m (RMS) RTK Orizzontale: 1 cm + 1 ppm (RMS) Verticale: 2 cm + 1 ppm (RMS) 1 ppm: Per ogni aumento di distanza di 1 km, l'accuratezza si ridurrà di 1 mm. Ad esempio, l'accuratezza orizzontale è di 1,1 cm quando il terminale ricevente è a 1 km di distanza dalla stazione di base.
	Frequenza di aggiornamento posizione	1 Hz, 2 Hz, 5 Hz, 10 Hz e 20 Hz
	Avvio a freddo	< 45 s
	Avvio a caldo	< 10 s
	Tempo di recupero	< 1 s
	Affidabilità di inizializzazione	> 99,9%
	Formato dati differenziali	RTCM 2.x/3.x

Comunicazione e archiviazione dati	Collegamento dati	OcuSync, LAN, 4G, Wi-Fi
	Frequenza operativa	2,4000 – 2,4835 GHz, 5,725 – 5,850 GHz
	EIRP	OcuSync 2,4 GHz SRRC/CE/MIC/KCC: < 20 dBm FCC/NCC: < 26 dBm 5,8 GHz SRRC/NCC/FCC: < 26 dBm; CE: < 14 dBm Wi-Fi 2,4 GHz SRRC/CE/MIC/KCC: < 20 dBm FCC/NCC: < 22 dBm 5,8 GHz FCC/SRRC/NCC: < 22 dBm
	Distanza di comunicazione Ocusync	Modalità di funzionamento 1/3 SRRC/NCC/FCC/MIC/KCC/CE: 2 km (Senza ostacoli e interferenze, quando la Stazione mobile D-RTK 2 è usata come stazione base e la distanza dall'antenna D-RTK 2 sulla base del treppiede è di 1,8 m, quando la differenza in altezza tra il radiocomando e D-RTK 2 è minore di 2 m, e quando il radiocomando è a un'altezza di 1,2 m da terra) Modalità di funzionamento 4 Tra l'aeromobile e la stazione mobile: NCC/FCC: 7 km; SRRC/MIC/KCC/CE: 5 km Tra il radiocomando e la stazione mobile: 200 m (Senza ostacoli e interferenze, a un'altitudine di volo di circa 120 m, quando la distanza dall'antenna D-RTK 2 sulla base del treppiede è di 1,8 m e quando il radiocomando è a un'altezza di 1,2 m da terra) Modalità di funzionamento 5 NCC/FCC: 12 km; SRRC/MIC/KCC/CE: 6 km (Senza ostacoli e interferenze, quando la distanza dall'antenna D-RTK 2 sulla base del treppiede è di 1,8 m)
	Capacità di memoria	16 GB
IMU	Caratteristiche	Accelerometro a 6 assi ad alta precisione integrato Monitoraggio del movimento di D-RTK 2 Misurazioni della pendenza Livello bolla elettronica
Caratteristiche elettriche	Consumo energetico	12 W
	Alimentazione	16,5 – 58,8 VDC
	Batteria	Tipo: Batteria agli ioni di litio Capacità: 4920 mAh Energia: 37,3 WH
	Tempo di esecuzione	Batteria WB37: > 2 h
Caratteristiche fisiche	Dimensioni (corpo di D-RTK 2 con manico telescopico)	168 mm × 168 mm × 1708 mm
	Classe IP	IP65
Temperatura operativa	Tra -20 °C e 55 °C (tra -4 °F e 131 °F)	

Aggiornamento del firmware

Aggiornare il firmware D-RTK 2 nel software DJI Assistant 2 o nell'app*. Le istruzioni seguenti usano il software DJI Assistant 2 quale esempio.

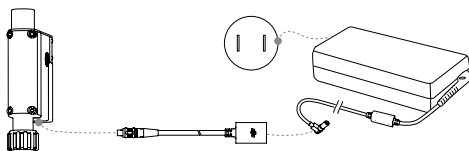
1. Spegnere la Stazione mobile D-RTK 2.
2. Collegare la Stazione mobile D-RTK 2 al computer per mezzo del cavo USB-C.
3. Avviare DJI Assistant 2 e accedere con un account DJI.
4. Fare clic su D-RTK 2 e successivamente sul tag di aggiornamento del sistema.
5. Selezionare la versione firmware desiderata.
6. DJI Assistant 2 scaricherà e aggiornerà automaticamente il firmware.

* È necessaria una versione app che supporta l'aggiornamento del firmware.

Utilizzo degli accessori

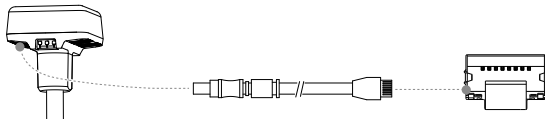
Cavo per adattatore di alimentazione

Collegare il cavo per adattatore di alimentazione alla porta di alimentazione esterna, quindi collegare l'adattatore di alimentazione a una presa di alimentazione (100 240V, 50/60 Hz) con il cavo di alimentazione CA.



Cavo LAN

Usare il cavo LAN per accedere alla rete pubblica.



Accertarsi di rispettare le leggi e normative locali durante la trasmissione di informazioni sul posizionamento satellitare su una rete pubblica.

Il contenuto di questo manuale è soggetto a modifiche.

Scaricare l'ultima versione da
<http://www.dji.com/d-rtk-2>

Disclaimer

Bedankt voor de aankoop van het mobiele GNSS-station D-RTK™ 2 met hoge precisie (hierna het "product" genoemd). Lees vóór gebruik van dit product deze disclaimer zorgvuldig door. Door dit product te gebruiken, gaat u akkoord met deze disclaimer en geeft u aan de inhoud hiervan volledig te hebben gelezen. Gebruik dit product strikt conform de handleiding en besteed de nodige aandacht aan de waarschuwingen. SZ DJI TECHNOLOGY CO., LTD., en gelieerde bedrijven aanvaarden geen aansprakelijkheid voor schade(s) of letsel(s) die direct of indirect voortvloeien uit het onjuiste gebruik, installatie of ombouwen van dit product, met inbegrip van maar niet beperkt tot het gebruik van niet-originele accessoires.

DJI™ is een handelsmerk van SZ DJI TECHNOLOGY CO., LTD. (afgekort 'DJI') en zijn gelieerde bedrijven. Namen van producten, merken enz. in deze handleiding zijn handelsmerken of gedeponeerde handelsmerken van hun respectievelijke eigenaren. Het auteursrecht voor dit product en deze handleiding berust bij DJI. Alle rechten zijn voorbehouden. Geen enkel onderdeel van dit product of van deze handleiding mag worden gereproduceerd in welke vorm dan ook, zonder voorafgaande schriftelijke toestemming van DJI.

Deze disclaimer is opgesteld in verschillende talen. In het geval van verschil tussen de verschillende versies, heeft de Chinese versie voorrang indien het product in kwestie is gekocht in China. De Engelstalige versie heeft dan voorrang indien het product in kwestie in een andere regio is gekocht.

Waarschuwingen

1. Verwijder de Intelligent Battery uit het D-RTK 2 Mobile Station wanneer deze niet wordt gebruikt.
2. Gebruik de D-RTK 2 alleen in de corresponderende frequentieband en in overeenstemming met de plaatselijke wet- en regelgeving.
3. Buig of vouw de kabels NIET overmatig.
4. Zorg ervoor dat het D-RTK 2 Mobile Station perfect waterpas staat wanneer het wordt gemonteerd en geplaatst.
5. Bestuur de drone alleen in een open omgeving zonder radio-interferentie. Schakel apparaten in de buurt met dezelfde frequenties als het D-RTK 2 Mobile Station (bijv. radiozondontvangers) uit.
6. Zorg ervoor dat de antennes van alle gebruikte apparaten niet worden belemmerd tijdens het gebruik.
7. Gebruik uitsluitend originele DJI-onderdelen of onderdelen die door DJI zijn gecertificeerd. Niet-goedgekeurde onderdelen of onderdelen van fabrikanten die niet door DJI zijn gecertificeerd, kunnen leiden tot storingen in het systeem en een gevaar voor de veiligheid vormen.
8. Zorg ervoor dat het D-RTK 2 Mobile Station en de componenten hiervan vrij zijn van verontreiniging (bijv. water, olie, grond en zand).
9. Probeer NIET om enig onderdeel van het D-RTK 2 Mobile Station te demonteren dat al voor de verzending is gemonteerd.
10. Ga voorzichtig om met de scherpe uiteinden van de verlengstang en het statief.
11. Neem de nodige maatregelen om het D-RTK 2 Mobile Station en de accu's te beschermen tegen water in regen, sneeuw of onweer. Ga bij zware weersomstandigheden voorzichtig te werk.

Inleiding

Het D-RTK 2 High Precision GNSS Mobile Station is een uiterst nauwkeurige satellietontvanger die vier wereldwijde satellietnavigatiesystemen ondersteunt: GPS, BEIDOU, GLONASS en Galileo met ontvangst van 11-bands satellietsignalen*. Zijn ingebouwde OCUSYNC™, LAN en 4G-datatransmissielinks zorgen voor een ononderbroken, stabiele datatransmissie onder verschillende toepassingsscenario's. Het D-RTK 2 Mobile Station kan worden gebruikt als een RTK mobiel basisstation om een nauwkeurigheid op centimeterniveau te bereiken bij de positionering van een drone uitgerust met een DJI RTK-positioneringssysteem (zoals Agras T20, T16, MG-1P RTK, Phantom 4 RTK, P4 Multispectral, MATRICE™ 300 RTK, of Matrice 210 RTK V2). De functies ervan zijn compromisloos, zelfs in omgevingen met sterke magnetische interferentie, bijvoorbeeld in de buurt van hoogspanningskabels of metalen structuren. Het D-RTK 2 mobiele station kan ook worden gebruikt als een apparaat voor handmatige mapping om een verbeterde precisie te bereiken bij puntpositionering tijdens landmetingen en mapping, of bij lofting en andere technische toepassingen. Bovendien kan het D-RTK 2 Mobile Station worden gebruikt als een stationair RTK-basisstation om snel RTK-netwerkservices** te bouwen.

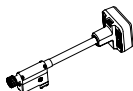
* Zie de specificaties voor details.

** Wordt later ondersteund. DJI levert alleen technische diensten, gebruikers moeten voldoen aan de lokale wet- en regelgeving en eisen voor het bouwen van RTK-netwerkservices.

In de doos

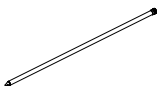
D-RTK 2 body

x1



Uitschuifstang

x1



Lader

x1



AC-voedingsadapter

x1



Intelligent Battery (WB37)

x2



Accudeksel

x1



Voedingskabel

x1



USB-C kabel

x1



USB-C OTG-kabel

x1



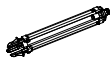
Inbussleutel

x1



Optionele items

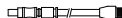
① Statief



② Kabel voedingsadapter



③ LAN-kabel

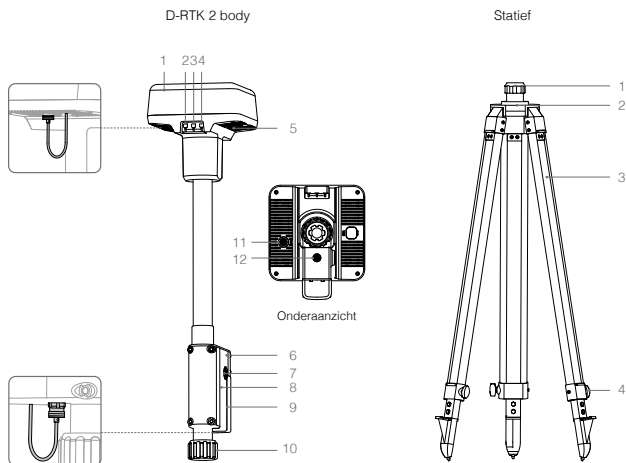


① Gebruik het statief om de behuizing van de D-RTK 2 te ondersteunen, wanneer het D-RTK 2 Mobile Station als mobiel basisstation wordt gebruikt.

② Gebruik de kabel van de voedingsadapter en AC-voedingsadapter wanneer het D-RTK 2 Mobile Station als stationair basisstation wordt gebruikt.

③ Gebruik de LAN-kabel voor toegang tot de cloudserver, wanneer het D-RTK 2 Mobile Station als stationair basisstation wordt gebruikt.

Overzicht



1. Antenne
2. Link-knop en indicatielampje
3. Aan/uit-knop en accu-indicatielampje
4. Bedrijfsmodus-knop en indicatielampje
5. USB-C poort
6. Donglecompartiment
7. Rozetbevestiging
8. Accucompartiment
9. Accudeksel
10. Borgmoer
11. LAN-poort*
12. Externe voedingsaansluiting*

1. Mof
2. Montagebasis
3. Inschuifbare poten
4. Knoppen

* Uitgerust met een beschermkap die kan worden opgeborgen als het apparaat in gebruik is. Dek de poorten af als het apparaat niet wordt gebruikt, om het apparaat tegen vocht en stof te beschermen.

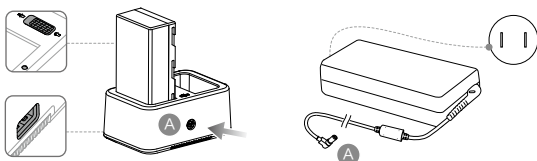
De afbeeldingen in dit document kunnen enigszins afwijken van het eigenlijke product. Ga uit van de feitelijke situatie.

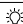
Vorbereiding

De accu opladen

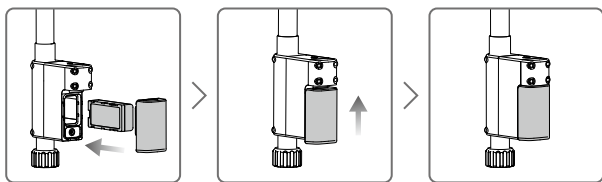
Druk één keer op de knop van het accuniveau om het accuniveau te controleren. Laad de accu's vóór het eerste gebruik volledig op.

1. Plaats de accu in de lader, sluit de wisselstroomadapter aan op de lader en sluit vervolgens de wisselstroomadapter aan op een stopcontact (100-240 V, 50/60 Hz).
2. De lader laadt de accu's op intelligente wijze in een cyclus op, afhankelijk van het vermogen van de accu, van hoog naar laag.
3. De status-LED knippert groen bij het opladen en wordt continu groen als hij volledig is opgeladen. De zoemer begint te piepen als het laden voltooid is. Verwijder de accu of schakel de zoemer uit om deze te stoppen.



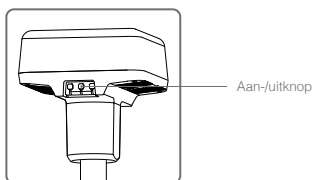
 Raadpleeg de WCH2 Gebruikershandleiding voor de lader en de WB37 Intelligent Battery veiligheidsrichtlijnen voor meer details.

De accu plaatsen



Aan/uitschakelen van het D-RTK 2 Mobile Station

Houd de aan/uit-knop ingedrukt om het D-RTK 2 Mobile Station in/uit te schakelen.



Beschrijvingen indicatielampje

Continu rood	Systeeminitialisatie/foutmelding
Snel rood knipperend	Het accuniveau is minder dan 20%
Langzaam rood knipperend	Signalen van ≤ 5 ontvangen satelliet
Continu geel	Signalen van 6-9 satellieten ontvangen
Continu groen	Signalen van ≥ 10 satellieten ontvangen

Bedrijfsmodi

Het D-RTK 2 Mobile Station biedt vijf bedrijfsmodi voor gebruik met verschillende producten. Volg de onderstaande instructies om tussen de verschillende modi te schakelen.

1. Houd de knop voor bedrijfsmodus twee seconden lang ingedrukt. De indicator gaat van groen naar geel, om aan te geven dat het apparaat de modusschakelstatus heeft bereikt.
2. Druk één keer op de knop voor de bedrijfsmodus om van modus te wisselen. Wacht twee seconden totdat het apparaat in de overeenkomstige modus komt. Het indicatielampje gaat van geel naar groen. De bedrijfsmodi worden aangegeven door het knipperende patroon van de indicator. Zie onderstaande tabel.
3. Het apparaat blijft in de oorspronkelijke modus als er binnen twee seconden na het invoeren van de status van de modusschakelaar geen verdere bediening plaatsvindt.

Modi	Naam en compatibele producten	Knipperpatroon
Bedrijfsmodus 1	Mobiel basisstation (T20/T16/MG-1P RTK/Phantom 4 RTK/P4 Multispectral)	Eenmaal
Bedrijfsmodus 2	Stationair basisstation*	Twee keer
Bedrijfsmodus 3	Aparaat voor handmatige mapping (T20/T16/MG-1P RTK/Phantom 4 RTK)	Drie keer
Bedrijfsmodus 4	Mobiel basisstation (M210 RTK V2)	Vier keer
Bedrijfsmodus 5	Mobiel basisstation (Uitzendmodus, M300 RTK)	Vijf keer

* Wordt later ondersteund.

Het gebruik van het D-RTK 2 Mobile Station

De handelingen zijn vergelijkbaar wanneer het D-RTK 2 Mobile Station met verschillende producten wordt gebruikt. Tenzij anders vermeld, zijn de onderstaande beschrijvingen van toepassing bij alle producten die in de overeenkomstige modus werken.

Aansluiting op de afstandsbediening of de drone

Verbindingsmethode

De verbindingmethode varieert afhankelijk van de bedrijfsmodus. Zie de instructies hieronder.

Bedrijfsmodus 1


Gebruik met Agras of Phantom 4 RTK drone

Het D-RTK 2 Mobile Station moet in de app aan de afstandsbediening worden gekoppeld. De volgende beschrijvingen gebruiken de DJI Agras-app als voorbeeld.

1. Schakel het D-RTK 2 Mobile Station in, wacht totdat de systeeminitialisatie is voltooid en ga naar Bedrijfsmodus 1.
2. Schakel de afstandsbediening in en zorg ervoor dat de app is gestart.

- Ga in de app naar Operation View >  >RTK om de RTK-functie van de drone in te schakelen. Selecteer de RTK-signaalbron naar het D-RTK 2 Mobile Station. Tik dan op Linking aan de onderkant. De statusindicator van de afstandsbediening knippert blauw en een piepend geluid van de afstandsbediening geeft aan dat de afstandsbediening wordt gekoppeld.
- Druk op de Link-knop op het D-RTK 2 Mobile Station. De linkindicator zal dan afwisselend rood en groen knipperen, om aan te geven dat het D-RTK 2 Mobile Station wordt gekoppeld.
- De koppeling is geslaagd als het indicatielampje op de afstandsbediening continu groen wordt. De linkindicator van de D-RTK 2 geeft de huidige werkstatus aan. Raadpleeg de onderstaande tabel voor de details.
- De afstandsbediening en de drone moeten opnieuw worden gekoppeld nadat de afstandsbediening is gekoppeld aan het D-RTK 2 Mobile Station. Er zijn drie manieren om dit te doen:
 - Nadat u de afstandsbediening met het D-RTK 2 Mobile Station hebt verbonden, tikt u op **Link with Aircraft** in het pop-upvenster om het met de drone te koppelen. Druk dan op de Link-knop op de drone om het koppelen te voltooien.
 - Op de RTK-instellingenpagina tikt u op de  knop naast de prompt die aangeeft dat de verbinding met de drone is verbroken. Vervolgens tikt u op **Link with Aircraft** in het pop-upvenster om het met de drone te koppelen.
 - Koppel de afstandsbediening aan de drone op de RC-instellingenpagina. Wanneer u klaar bent, gaat u naar de RTK-instellingenpagina. Hier tikt u op **Try to Reconnect** naast de D-RTK 2 Status, om opnieuw verbinding met de D-RTK 2 te maken. De D-RTK 2-status moet **Connection Success** aangeven om de RTK-functies te laten werken.

Gebruik met P4 Multispectral drone

- Schakel het D-RTK 2 Mobile Station in, wacht totdat de systeeminitialisatie is voltooid en ga naar Bedrijfsmodus 1.
- Zet de afstandsbediening aan en zorg ervoor dat de DJI GS Pro-app is gestart.
- Ga naar de Mission-pagina in DJI GS Pro en tik op het  pictogram of RTK bovenaan het scherm om naar het menu met RTK-instellingen te gaan en selecteer vervolgens D-RTK 2 als de RTK-signaalbron. Schakel de drone-RTK onderaan het menu in, zodat de drone toegang heeft tot RTK-data.
- Tik op Link. De afstandsbediening begint te piepen. Druk vervolgens op de linkknop op het mobiele station.
- De koppeling is geslaagd als het indicatielampje op de afstandsbediening continu groen wordt. De linkindicator van de D-RTK 2 geeft de huidige werkstatus aan. Raadpleeg onderstaande tabel voor details.



- Wanneer het D-RTK 2 Mobile Station met de afstandsbediening verbonden is en de drone wordt met de afstandsbediening wordt bestuurd, kan het D-RTK 2 Mobile Station niet aan andere afstandsbedieningen worden gekoppeld. Koppel indien nodig de drone nadat deze is geland en de motoren zijn gestopt.
- Eén D-RTK 2 Mobile Station kan gekoppeld worden aan maximaal vijf afstandsbedieningen.

Bedrijfsmodus 3

Het D-RTK 2 Mobile Station moet worden gekoppeld aan de afstandsbediening.

- Schakel het D-RTK 2 Mobile Station in, wacht totdat de systeeminitialisatie is voltooid en ga naar Bedrijfsmodus 3.
- Schakel de afstandsbediening in. Ga naar Instellingen voor de afstandsbediening in de app en tik op Koppelen. De status-LED knippert blauw en de afstandsbediening piept twee keer, wat aangeeft dat de afstandsbediening klaar is om te koppelen.
- Druk op de Link-knop op het D-RTK 2 Mobile Station. De linkindicator zal dan afwisselend rood en groen knipperen, om aan te geven dat het D-RTK 2 Mobile Station wordt gekoppeld.
- De koppeling is geslaagd als het indicatielampje op de afstandsbediening continu groen wordt. De linkindicator van de D-RTK 2 geeft de huidige werkstatus aan. Raadpleeg onderstaande tabel voor details.

Bedrijfsmodus 4

Het D-RTK 2 Mobile Station moet gekoppeld zijn aan de M210 RTK V2-drone.

1. Schakel de M210 RTK V2-drone in en zorg ervoor dat deze aan de afstandsbediening is gekoppeld.
2. Druk op de Link-knop op het D-RTK 2 Mobile Station. De linkindicator zal dan afwisselend rood en groen knipperen, om aan te geven dat het D-RTK 2 Mobile Station wordt gekoppeld.
3. Druk op de Link-knop op de drone.
4. Wacht enkele seconden. De koppeling is succesvol als de indicatielampjes van zowel de drone als het mobiele station continu groen worden.

Bedrijfsmodus 5

Bij gebruik met de M300 RTK moet de afstandsbediening worden aangesloten op het uitzendnetwerk van het D-RTK 2 Mobile Station.

1. Schakel het D-RTK 2 Mobile Station in, wacht totdat de systeeminitialisatie is voltooid en ga naar Bedrijfsmodus 5.
2. Schakel de afstandsbediening in. Ga naar RTK Settings in de DJI Pilot-app en stel de RTK-signaalbron in op D-RTK 2 Mobile Station.
3. Druk op  op de rechterzijde van het display van het D-RTK 2 Mobile Station en het zoeken begint automatisch. Selecteer het gewenste RTK-basisstation in de zoekresultaten en wacht op een succesvolle verbinding.

Beschrijving van Link-indicator

Als het koppelingsproces begint, knippert de indicator afwisselend rood en groen.

Wanneer het koppelingsproces is voltooid, zijn de knipperende patronen van de indicator zoals hieronder weergegeven.

Bedrijfsmodus 1/3/4	Status
Continu groen	OcuSync-signaalkwaliteit >70%
Snel groen knipperend	OcuSync-signaalkwaliteit 35-70%
Langzaam groen knipperend	OcuSync-signaalkwaliteit ≤ 35%
Continu rood	OcuSync-signaalkwaliteit = 0
Bedrijfsmodus 2	Status
Continu groen	Netwerk verbonden
Continu rood	Netwerkverbinding verbroken
Bedrijfsmodus 5	Status
Continu groen	Werkt normaal

Activering

Zorg ervoor dat u het D-RTK 2 Mobile Station voorafgaand aan het eerste gebruik activeert. De activering kan in de app of in de DJI ASSISTANT™ gebeuren 2 software worden uitgevoerd. De volgende beschrijvingen gebruiken de app als voorbeeld.

Gebruik met Agras of Phantom 4 RTK drone

1. Schakel het D-RTK 2 Mobile Station in.
2. Schakel de afstandsbediening in en zorg ervoor dat de app is gestart.
3. Ga in de app naar RTK Settings om de RTK-functie van de drone in te schakelen. Selecteer de RTK-signaalbron naar het D-RTK 2 Mobile Station. Wanneer u voor de eerste keer verbinding maakt, verschijnt er een activeringsmelding. Volg de stappen op het scherm voor activering.

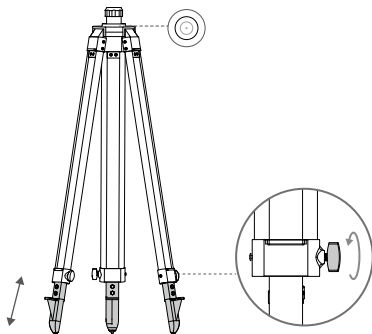
Gebruik met M300 RTK of M210 RTK V2 drone

Zet het mobiele station aan en zorg ervoor dat het is gekoppeld aan de drone of de afstandsbediening. Start de DJI Pilot-app en volg de stappen op het scherm voor activering.

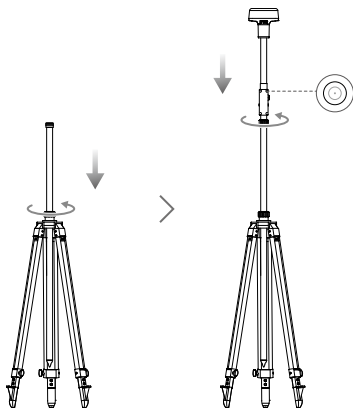
Instelling

Bij gebruik als mobiel basisstation kiest u een open ruimte om het D-RTK 2 Mobile Station in te richten. Markeer de locatie en lijn het midden van het statief uit met de markering om ervoor te zorgen dat het D-RTK 2 Mobile Station op dezelfde locatie kan worden vervangen.

1. Vouw het statief uit, schuif de drie poten tot de gewenste lengte uit en draai vervolgens de drie knoppen aan. Zorg ervoor dat de luchtbel van de waterpas op de montagebasis zich binnen de zwarte cirkel bevindt (gezien vanaf de bovenkant van de waterpas in verticale richting), terwijl u het statief goed vasthoudt.



2. Steek de verlengstang in het statief en draai de bus op het statief vast. Bevestig vervolgens de D-RTK 2-body op de verlengstang en draai de borgmoer op de D-RTK 2-body vast. Zorg ervoor dat de luchtbel van de waterpas op de D-RTK 2 zich binnen de zwarte cirkel bevindt (gezien vanaf de bovenkant van de waterpas verticaal).





- Verander NIET de positie of de hoek van het statief of het D-RTK 2 Mobile Station nadat het statief is genivelleerd, anders moet het worden bijgesteld.
- Voor de instelling is een omgeving met vrij zichtveld vereist. Zorg ervoor dat er zich binnen de zone geen obstakels (bomen, gebouwen) in grotere hoek dan 15° boven het horizontale vlak van de D-RTK 2 antenne bevinden, om te voorkomen dat de GNSS-signalen worden geabsorbeerd of geblokkeerd.
- De instellingslocatie moet ten minste 200 m van krachtige radio-emissiebronnen (zoals televisiestations, microgolfsstations, enz.) en ten minste 50 m van hoogspanningsleidingen verwijderd zijn om elektromagnetische interferentie met GNSS-signalen te voorkomen.
- De instellingslocatie moet uit de buurt van grote wateroppervlakken of van objecten die de ontvangst van satellietsignalen sterk verstoren zijn om multipath-effecten te verminderen.

Gebruik

De beschikbare bedrijfsmodi variëren afhankelijk van de producten die met het D-RTK 2 Mobile Station worden gebruikt. Selecteer de betreffende bedrijfsmodus in overeenstemming met het gebruikte product en volg de onderstaande instructies op.

Instructies

Bedrijfsmodus 1/4

1. Til de verlengstang in het statief op om het D-RTK 2 Mobile Station op de gewenste hoogte te brengen en draai de mof vast.
2. Schakel het D-RTK 2 Mobile Station in, wacht tot de systeeminitialisatie is voltooid en ga naar Bedrijfsmodus 1 of 4.
3. Zet de afstandsbediening en de drone aan en zorg ervoor dat de app is gestart.
4. Ga in de app naar RTK-instellingen om de RTK-functie van de drone in te schakelen. Stel de RTK-signaalbron in op D-RTK 2 Mobile Station en bekijk de statusweergave om de verbinding te controleren. Wanneer u een P4 Multispectral drone gebruikt, tikt u op Connect om een verbinding met het basisstation tot stand te brengen.
5. Wacht tot het systeem begint naar satellieten te zoeken. Start de motoren wanneer het RTK-pictogram FIX weergeeft of de status van zowel de oriëntatie als de positionering van de drone in de statustabel in RTK-instellingen FIX aangeeft.



Als het D-RTK 2 Mobile Station tijdens de vlucht wordt verplaatst of wordt uitgeschakeld, schakelt de drone RTK over naar de GNSS-modus en zal hij niet meer in de RTK FIX-status overgaan. Herstart het D-RTK 2 Mobile Station na de vlucht en wacht totdat het de RTK FIX-status heeft.

Bedrijfsmodus 3

1. Schakel het D-RTK 2 Mobile Station in, wacht totdat de systeeminitialisatie is voltooid en ga naar Bedrijfsmodus 3.
2. Schakel de afstandsbediening in en zorg ervoor dat de app is gestart. Controleer het startscherm om er zeker van te zijn dat het apparaat voor handmatige mapping verbonden is.
3. Selecteer in RTK-instellingen de RTK-signaalbron voor het apparaat voor handmatige mapping. Zorg ervoor dat het D-RTK 2 Mobile Station dat gebruikt wordt als een apparaat voor handmatige mapping is verbonden met een ander D-RTK 2 Mobile Station dat gebruikt wordt als een basisstation of een Netwerk RTK-server.
4. Stel de planningsmethode in op handheld RTK.

Bedrijfsmodus 5

1. Schakel het D-RTK 2 Mobile Station in, wacht totdat de systeeminitialisatie is voltooid en ga naar Bedrijfsmodus 5.
2. Zorg ervoor dat de afstandsbediening is aangesloten op het uitzendnetwerk van het D-RTK 2 Mobile Station.
3. Wacht tot het systeem begint naar satellieten te zoeken. Start de motoren als de status van zowel de oriëntatie als de positionering van de drone in de statustabel in de RTK-instellingen FIX aangeeft.

Geavanceerde instellingen

Bedrijfsmodus 1/3/4

1. Ga naar de onderkant van RTK-instellingen en tik op Advanced Settings.
2. De instellingen zijn afhankelijk van het product dat met het D-RTK 2 Mobile Station wordt gebruikt. De instellingen omvatten ook het beheer van de lijst met gekoppelde afstandsbedieningen en het bekijken en bewerken van de naam van het apparaat.
3. Voer de gemeten coördinaten en de hoogte* in om deze op het D-RTK 2 Mobile Station in te stellen bij gebruik als basisstation.

Bedrijfsmodus 5

1. Ga naar de onderkant van RTK-instellingen en tik op Advanced Settings. Voer het beheerderswachtwoord in om de configuratie in te voeren. Het standaardwachtwoord is 123456.
2. Bewerk de naam van het mobiele station en wijzig het wachtwoord.
3. Voer de gemeten coördinaten en de hoogte* in om deze op het D-RTK 2 Mobile Station in te stellen bij gebruik als basisstation.
4. Het wachtwoord kan worden gereset door de onderstaande instructies te volgen. Houd de Link-knop op het mobiele station drie seconden lang ingedrukt en druk vervolgens één keer op de knop Operating Mode. De indicator voor de bedrijfsmodus verandert van rood naar groen, wat aangeeft dat het wachtwoord met succes is gereset.

* Als de in de app ingevoerde coördinaten meer dan 50 m (voor bedrijfsmodus 1) of 15 m (voor bedrijfsmodus 4 of 5) verwijderd zijn van de werkelijke coördinaten van het D-RTK 2 Mobile Station, dan worden deze niet geïmporteerd. Als het D-RTK 2 Mobile Station opnieuw wordt opgestart nadat de ingevoerde coördinaten met succes zijn ingesteld, zullen deze coördinaten alleen worden gebruikt als het verschil tussen de werkelijke coördinaten en de ingestelde coördinaten minder dan 5 m bedraagt. Anders worden de eigenlijke positioneringscoördinaten gebruikt.

Bijlage

Technische gegevens

GNSS-ontvanger	GNSS-frequentie	Gelijktijdige ontvangst: GPS: L1, L2, L5; BeiDou: B1, B2, B3 GLONASS: F1, F2; Galileo: E1, E5A, E5B
	Nauwkeurigheid positionering	Enkele punt Horizontaal: 1,5 m (RMS) Verticaal: 3,0 m (RMS) RTK Horizontaal: 1 cm + 1 ppm (RMS) Verticaal: 2 cm + 1 ppm (RMS) 1 ppm: Voor elke 1 km toename in afstand zal de nauwkeurigheid 1 mm minder zijn. De horizontale nauwkeurigheid is bijvoorbeeld 1,1 cm wanneer het ontvangende uiteinde 1 km van het basisstation verwijderd is.
	Positionering Update Rate	1 Hz, 2 Hz, 5 Hz, 10 Hz en 20 Hz
	Koude start	<45 s
	Warme start	<10 s
	Terugwintijd	<1 s
	Initialisatie betrouwbaarheid	>99,9%
	Differentiaal gegevensformaat	RTCM 2.x/3.x

Communicatie en gegevensopslag	Datalink	OcuSync, LAN, 4G, Wi-Fi
	Bedieningsfrequentie	2,4000-2,4835 GHz, 5,725-5,850 GHz
	EIRP	OcuSync 2,4 GHz SRRC/CE/MIC/KCC: <20 dBm FCC/NCC: <26 dBm 5,8 GHz SRRC/NCC/FCC: <26 dBm; CE: <14 dBm Wifi 2,4 GHz SRRC/CE/MIC/KCC: <20 dBm FCC/NCC: <22 dBm 5,8 GHz SRRC/NCC/FCC: <22 dBm
	OcuSync-communicatieafstand	Bedrijfsmodus 1/3 SRRC/NCC/FCC/MIC/KCC/CE: 2 km (Ongehinderd en storingsvrij, wanneer het D-RTK 2 Mobile Station als basisstation wordt gebruikt en de afstand van de D-RTK 2-antenne tot de onderkant van het statief 1,8 m bedraagt, wanneer het hoogteverschil tussen de afstandsbediening en D-RTK 2 minder dan 2 m bedraagt en wanneer de afstandsbediening zich 1,2 m van de grond af bevindt) Bedrijfsmodus 4 Tussen de drone en het mobiele station: NCC/FCC: 7 km; SRRC/MIC/KCC/CE: 5 km Tussen de afstandsbediening en het mobiele station: 200 m (Ongestoord en storingsvrij op een vlieghoogte van ongeveer 120 m, wanneer de afstand van de D-RTK 2-antenne tot de onderkant van het statief 1,8 m bedraagt en wanneer de afstandsbediening zich 1,2 m van de grond af bevindt) Bedrijfsmodus 5 NCC/FCC: 12 km; SRRC/MIC/KCC/CE: 6 km (Ongehinderd en storingsvrij, wanneer de afstand van de D-RTK 2-antenne tot de onderkant van het statief 1,8 m bedraagt)
	Geheugencapaciteit	16 GB
IMU	Kenmerken	Ingebouwde zeer nauwkeurige 6-assige acceleratiemeter D-RTK 2-bewegingsmonitoring Hellende metingen Elektronische waterpas
Elektrische kenmerken	Stroomverbruik	12 W
	Voeding	16,5 tot 58,8 VDC
	Accu	Type: Lithium-ion accu Capaciteit: 4920 mAh Vermogen: 37,3 Wh
	Gebruiksduur	WB37-accu: >2 uur

Fysieke kenmerken	Afmetingen (D-RTK 2-body met verlengstang)	168 mm × 168 mm × 1708 mm
	IP-classificatie	IP65
Bedrijfstemperatuur	-20 °C tot 55 °C	

De firmware updaten

Update de firmware van de D-RTK 2 in de DJI Assistant 2-software of de app*. Bij de volgende instructies wordt de DJI Assistant 2 software als voorbeeld gebruikt.

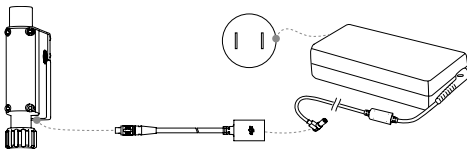
1. Zet het D-RTK 2 Mobile Station aan.
2. Sluit het D-RTK 2 Mobile Station met de USB-C kabel aan op de computer.
3. Start DJI Assistant 2 en meld u aan met een DJI-account.
4. Klik op D-RTK 2 en klik vervolgens op de firmware-updatetag.
5. Selecteer de gewenste firmwareversie.
6. DJI Assistant 2 zal de firmware automatisch downloaden en updaten.

* Een app-versie die firmware-update ondersteunt is vereist.

Accessoires Gebruik

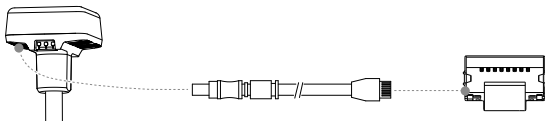
Kabel voedingsadapter

Sluit de kabel van de voedingsadapter aan op de externe voedingspoort en sluit vervolgens de voedingsadapter met de AC-voedingskabel aan op een stopcontact (100-240 V, 50/60 Hz).



LAN-kabel

Gebruik de LAN-kabel om toegang te krijgen tot het openbare netwerk.



Zorg ervoor dat u zich houdt aan de lokale wet- en regelgeving wanneer u informatie over de positiebepaling van satellieten op een openbaar netwerk uitzendt.

De inhoud van dit document kan gewijzigd worden.

Download de nieuwste versie vanaf
<http://www.dji.com/d-rtk-2>

Exoneração de responsabilidade

Obrigado por adquirir a Estação Móvel GNSS de Alta Precisão D-RTK™ 2 (a seguir denominada "Produto"). Leia atentamente a presente exoneração de responsabilidade antes de utilizar este Produto. Ao utilizar este Produto, aceita a presente exoneração de responsabilidade e confirma que leu o documento na íntegra. Utilize este Produto respeitando rigorosamente o manual e preste especial atenção aos Avisos. A SZ DJI TECHNOLOGY CO., LTD. e respetivas empresas afiliadas não assumem qualquer responsabilidade relativa a dano(s) ou ferimentos direta ou indiretamente resultantes da utilização, instalação ou retificação deste Produto de modo inadequado, incluindo, entre outros, a utilização de acessórios não designados.

A DJI™ é uma marca comercial da SZ DJI TECHNOLOGY CO., LTD. (abreviada como "DJI") e das respetivas empresas afiliadas. Todos os nomes de produtos, marcas, etc., incluídos no presente manual são marcas comerciais ou marcas comerciais registadas das respetivas empresas detentoras. Este Produto e este manual estão protegidos por direitos de autor pela DJI, com todos os direitos reservados. Nenhuma parte deste Produto ou documento deverá ser reproduzida, seja de que forma for, sem o consentimento ou autorização prévios, por escrito, da DJI.

Esta exoneração de responsabilidade está disponível em diversos idiomas. Em caso de discrepâncias entre as diferentes versões, a versão chinesa prevalece quando o Produto em questão for adquirido na China, e a versão inglesa prevalece quando o Produto em questão for adquirido em qualquer outra região.

Avisos

1. Para maximizar a vida útil da bateria, remova a bateria inteligente da estação móvel D-RTK 2 quando não estiver em uso.
2. Use apenas o D-RTK 2 na banda de frequência correspondente e de acordo com as leis e regulamentos locais.
3. NÃO torça nem dobre os cabos excessivamente.
4. Verifique se a estação móvel D-RTK 2 está perfeitamente nivelada quando montada e colocada.
5. Opere apenas num ambiente aberto sem interferência rádio. Desligue dispositivos próximos usando as mesmas frequências que a estação móvel D-RTK 2 (por exemplo, emissor-recetor de rádio).
6. Verifique se as antenas de todos os dispositivos usados estão desobstruídas quando em uso.
7. Use apenas peças DJI originais ou peças certificadas pela DJI. Peças ou peças não autorizadas de fabricantes certificados não-DJI podem fazer com que o sistema avarie e comprometa a segurança.
8. Verifique se a Estação Móvel D-RTK 2 e os seus componentes estão livres de contaminação (por exemplo, água, óleo, sujidade e areia).
9. NÃO tente desmontar nenhuma parte da Estação Móvel D-RTK 2 que já tenha sido montada antes do envio.
10. Manuseie com cuidado as extremidades afiadas da haste de extensão e do tripé.
11. Tome as medidas necessárias para proteger a Estação Móvel D-RTK 2 e as baterias da água durante períodos de chuva, neve e/ou tempestades. Opere com cuidado em condições climáticas severas.

Introdução

A Estação móvel GNSS de alta precisão D-RTK 2 é um recetor de sinal de satélite de alta precisão que suporta quatro sistemas globais de navegação por satélite: GPS, BEIDOU, GLONASS e Galileo com receção de sinal de satélite de 11 bandas*. Os seus links de transmissão de dados OCUSYNC™, Wi-Fi e 4G embutidos garantem transmissão de dados estável e ininterrupta sob uma variedade de cenários de aplicações. A Estação Móvel D-RTK 2 pode ser usada como uma estação base móvel RTK para alcançar precisão de posicionamento em nível centimétrico de uma aeronave equipada com um sistema de posicionamento DJI RTK (como Agras T20, T16, MG-1P RTK, Phantom 4 RTK, P4 Multispectral, MATRICE™ 300 RTK, ou Matrice 210 RTK V2). As suas funções não são comprometidas mesmo em ambientes com forte interferência magnética, por exemplo, perto de linhas de alta tensão ou estruturas metálicas. A Estação Móvel D-RTK 2 também pode ser usada como dispositivo de mapeamento portátil para obter maior precisão no posicionamento de pontos durante o levantamento e mapeamento, ou lofting e outras aplicações de engenharia. Além disso, a Estação Móvel D-RTK 2 pode ser usada como uma estação base RTK fixa para construir rapidamente serviços RTK de rede**.

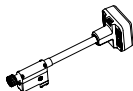
* Consulte as especificações para obter detalhes.

** Compatível posteriormente. A DJI fornece apenas serviços técnicos, os utilizadores devem cumprir as leis, regulamentos e requisitos locais para a criação de serviços RTK em rede.

Incluído na embalagem

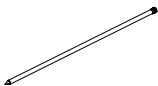
Estrutura da D-RTK 2

x1



Haste de extensão

x1



Terminal de carregamento

x1



Transformador CA

x1



Bateria inteligente (WB37)

x2



Tampa da bateria

x1



Cabo de
alimentação CA

x1



Cabo USB-C

x1



Cabo USB-C OTG

x1



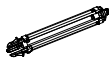
Chave sextavada

x1



Itens opcionais

① Tripé



② Cabo do transformador CA



③ Cabo LAN



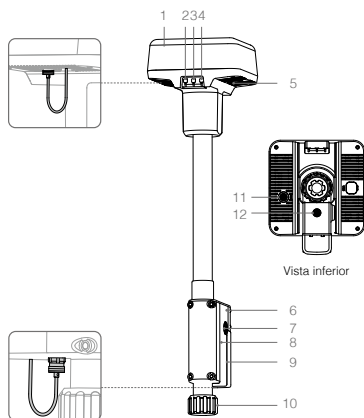
① Ao usar a Estação Móvel D-RTK 2 como estação móvel, use o tripé para suportar a estrutura da D-RTK 2.

② Quando utilizar a Estação Móvel D-RTK 2 como uma estação base fixa, utilize o cabo do transformador e o transformador CA para ligar à alimentação CA para alimentação a longo prazo.

③ Quando utilizar a Estação Móvel D-RTK 2 como uma estação base fixa, utilize o cabo LAN para aceder ao servidor da nuvem.

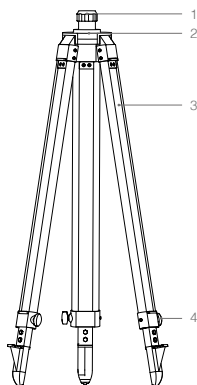
Visão geral

Estrutura da D-RTK 2



Vista inferior

Tripé



1. Antena
2. Botão e Indicador de Ligação
3. Botão de Alimentação e Indicador
4. Botão de Modo de Funcionamento e Indicador
5. Porta USB-C
6. Compartimento Dongle
7. Montagem Rosette
8. Compartimento da bateria
9. Tampa da bateria
10. Porca de fixação
11. Porta LAN*
12. Porta de alimentação externa*

1. Manga
2. Base de montagem
3. Pernas retráteis
4. Botão

* Equipado com uma tampa protetora que pode ser armazenada quando a unidade estiver em uso. Quando não estiver em uso, tape as portas para proteger a unidade contra humidade e poeira.

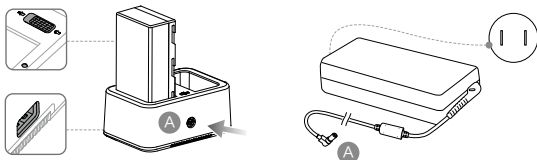
As ilustrações neste documento podem ser ligeiramente diferentes do produto real. Consulte o produto real.


Preparação

Carregamento da bateria

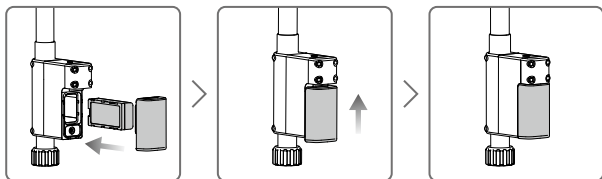
Prima o botão de carregamento da bateria uma vez para verificar o nível da bateria. Carregue totalmente as baterias antes da primeira utilização.

1. Coloque a bateria no terminal de carregamento, ligue o transformador CA ao terminal de carregamento e, em seguida, ligue o transformador CA a uma tomada (100–240V, 50/60Hz).
2. O terminal de carregamento carregará as baterias de forma inteligente em sequência, de acordo com os níveis de carregamento, de superior para inferior.
3. O LED de estado pisca a verde durante o carregamento e fica verde estável quando totalmente carregado. O alarme começará a tocar quando o carregamento estiver concluído. Remova a bateria ou desligue o alarme para pará-la.



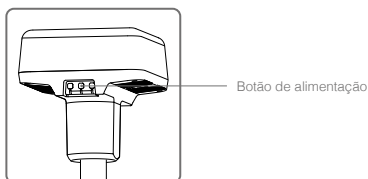
 Consulte o guia do utilizador do terminal de carregamento WCH2 e as diretrizes de segurança da bateria inteligente WB37 para obter mais detalhes.

Montagem da bateria



Ligar/desligar a estação móvel D-RTK 2

Mantenha pressionado o botão de alimentação para ligar/desligar a estação móvel D-RTK 2.



Descrições dos indicadores de alimentação

Luz vermelha continuamente acesa	Inicialização do sistema/notificação de erro
Pisca rapidamente a vermelho	O nível da bateria é inferior a 20%
Pisca lentamente a vermelho	Sinais de ≤ 5 satélites recebidos
Luz amarela continuamente acesa	Sinais de 6-9 satélite recebidos
Luz verde continuamente acesa	Sinais de ≥ 10 satélite recebidos

Modos de funcionamento

A Estação Móvel D-RTK 2 disponibiliza cinco modos de funcionamento para utilização com diferentes produtos. Siga as instruções abaixo para alternar entre os modos.

1. Pressione e segure o botão Modo de Funcionamento durante dois segundos. O indicador passará de verde para amarelo para indicar que o dispositivo entrou no estado do interruptor de modo.
2. Pressione o botão Modo de Funcionamento uma vez para alternar os modos. Aguarde dois segundos para que o dispositivo entre no modo correspondente. O indicador passará de amarelo para verde. Os modos de funcionamento são indicados pelo padrão de intermitência do indicador. Consulte a tabela abaixo.
3. O dispositivo permanecerá no modo original se não ocorrer funcionamento dentro de dois segundos após a entrada no estado do interruptor de modo.

Modos	Nome e produtos compatíveis	Padrão de intermitência
Modo de funcionamento 1	Estação base móvel (T20/T16/MG-1P RTK/Phantom 4 RTK/P4 Multispectral)	Uma vez
Modo de funcionamento 2	Estação de base fixa*	Dois vezes
Modo de funcionamento 3	Dispositivo de mapeamento portátil (T20/T16/MG-1P RTK/Phantom 4 RTK)	Três vezes
Modo de funcionamento 4	Estação base móvel (M210 RTK V2)	Quatro vezes
Modo de funcionamento 5	Estação base móvel (modo de transmissão, RTK M300)	Cinco vezes

* compatível posteriormente

Como usar a Estação Móvel D-RTK 2

As operações são semelhantes ao usar a Estação Móvel D-RTK 2 com produtos diferentes. Salvo especificação em contrário, as descrições abaixo são compatíveis com todos os produtos que funcionam no modo correspondente.

Ligar ao telecomando ou aeronave

Método de ligação



O método de ligação varia consoante o modo de funcionamento. Veja as instruções abaixo.

Modo de funcionamento 1


Usar aeronaves Agras ou Phantom 4 RTK

A Estação Móvel D-RTK 2 deve estar ligada ao telecomando na aplicação. As descrições a seguir usam a aplicação DJI Agras como exemplo.

1. Ligue a Estação Móvel D-RTK 2, aguarde até a inicialização do sistema ser concluída e entre no Modo de Funcionamento 1.
2. Ligue o telecomando e verifique se a aplicação foi iniciada.

3. Na aplicação, vá para Vista de Operação >  > RTK para ativar a função RTK da aeronave. Selecione a fonte de sinal RTK para a Estação Móvel D-RTK 2. Em seguida, toque em Ligar na parte inferior. O indicador de estado do telecomando pisca a azul e um sinal sonoro do telecomando indica que o telecomando está a ser ligado.
4. Pressione o botão Ligação na Estação Móvel D-RTK 2 e o indicador de ligação piscará a vermelho e verde alternadamente, indicando que a Estação Móvel D-RTK 2 está a ser ligada.
5. A ligação é bem-sucedida quando a luz indicadora no telecomando fica verde constante. O indicador de ligação D-RTK 2 mostra o estado atual de funcionamento. Consulte a tabela abaixo para obter mais informações detalhadas.
6. O telecomando e a aeronave devem ser ligados novamente depois de o telecomando estar ligado à Estação Móvel D-RTK 2. Existem três formas de fazê-lo:
 - Depois de ligar o telecomando à Estação Móvel D-RTK 2, toque em **Ligar a aeronave** na janela pop-up para ligá-lo à aeronave. Em seguida, pressione o botão Ligar na aeronave para concluir a ligação.
 - Na página Definições de RTK, toque no botão  ao lado do aviso indicando que a aeronave foi desligada e depois toque em **Ligar a aeronave** na janela pop-up para ligá-lo à aeronave.
 - Ligue o telecomando à aeronave na página Definições de RC. Quando terminar, vá para a página Definições de RTK e toque em **Tentar ligar novamente** próximo de Estado da D-RTK 2 para ligar novamente à D-RTK 2. O estado da D-RTK 2 deve indicar **Sucesso da ligação** para que as funções RTK funcionem.

Usar com aeronaves multispectrais P4

1. Ligue a Estação Móvel D-RTK 2, aguarde até a inicialização do sistema ser concluída e entre no Modo de Funcionamento 1.
2. Ligue o telecomando e verifique se a aplicação DJI GS Pro foi iniciada.
3. Vá para a Página de Missão na DJI GS Pro, toque no ícone  ou RTK no topo do ecrã para ir para o menu de definições RTK e, em seguida, selecione D-RTK 2 como fonte de sinal RTK. Ative o RTK da aeronave na parte inferior do menu para garantir que a aeronave tem acesso aos dados RTK.
4. Toque em Ligação. O telecomando começará a apitar. Em seguida, pressione o botão de ligação na estação móvel.
5. A ligação é bem-sucedida quando a luz indicadora no telecomando fica verde constante. O indicador de ligação D-RTK 2 mostra o estado atual de funcionamento. Consulte a tabela abaixo para obter mais informações detalhadas.



- Quando a Estação Móvel D-RTK 2 estiver ligada ao telecomando e a aeronave estiver a ser controlada pelo telecomando, a Estação Móvel D-RTK 2 não poderá ser ligada a outros telecomandos. Se necessário, faça a ligação depois de a aeronave pousar e os motores pararem.
- Uma Estação Móvel D-RTK 2 pode ligar-se a até cinco controladores remotos.

Modo de funcionamento 3

A Estação Móvel D-RTK 2 deve estar ligada ao telecomando.

1. Ligue a Estação Móvel D-RTK 2, aguarde até a inicialização do sistema ser concluída e entre no Modo de Funcionamento 3.
2. Ligue o telecomando. Vá a Definições do Telecomando na aplicação e toque em Ligação. O LED de estado pisca a azul e o telecomando emite dois bipes repetidamente, indicando que o telecomando está pronto para a ligação.
3. Pressione o botão Ligação na Estação Móvel D-RTK 2 e o indicador de ligação piscará a vermelho e verde alternadamente, indicando que a Estação Móvel D-RTK 2 está a ser ligada.
4. A ligação é bem-sucedida quando a luz indicadora no telecomando fica verde constante. O indicador de ligação D-RTK 2 mostra o estado atual de funcionamento. Consulte a tabela abaixo para obter mais informações detalhadas.

Modo de funcionamento 4

A Estação Móvel D-RTK 2 deve estar ligada à aeronave M210 RTK V2.

1. Ligue a aeronave M210 RTK V2 e verifique se está ligada ao telecomando.
2. Pressione o botão Ligação na Estação Móvel D-RTK 2 e o indicador de ligação piscará a vermelho e verde alternadamente, indicando que a Estação Móvel D-RTK 2 está a ser ligada.
3. Pressione o botão Ligação na aeronave.
4. Aguarde alguns segundos. A ligação é bem-sucedida quando as luzes indicadoras da aeronave e da estação móvel ficam verdes sólidas.

Modo de funcionamento 5

Ao usar com o M300 RTK, o telecomando deve aderir à rede de transmissão da Estação Móvel D-RTK 2.

1. Ligue a Estação Móvel D-RTK 2, aguarde até que a inicialização do sistema seja concluída e entre no Modo de Funcionamento 5.
2. Ligue o telecomando. Vá a Definições de RTK na aplicação DJI Pilot e defina a fonte de sinal RTK como Estação Móvel D-RTK 2.
3. Toque em ➤ à direita do ecrã de estado da Estação Móvel D-RTK 2 e a pesquisa será iniciada automaticamente. Selecione a estação base RTK desejada nos resultados da pesquisa e aguarde uma ligação bem-sucedida.

Descrição do indicador de ligação

Quando o processo de ligação é iniciado, o indicador pisca a vermelho e verde alternadamente.

Quando o processo de ligação é concluído, os padrões de intermitência do indicador são mostrados abaixo.

Modo de funcionamento 1/3/4	Estado
Luz verde continuamente acesa	Qualidade de sinal OcuSync >70%
Pisca rapidamente a verde	Qualidade de sinal OcuSync 35%-70%
Pisca lentamente a verde	Qualidade de sinal OcuSync ≤ 35%
Luz vermelha continuamente acesa	Qualidade de sinal OcuSync = 0
Modo de funcionamento 2	Estado
Luz verde continuamente acesa	Rede ligada
Luz vermelha continuamente acesa	Rede desligada
Modo de funcionamento 5	Estado
Luz verde continuamente acesa	A trabalhar normalmente

Ativação

Certifique-se de que ativa a Estação Móvel D-RTK 2 antes da primeira utilização. A ativação pode ser feita na aplicação ou no software DJI ASSISTANT™ 2. As descrições a seguir usam a aplicação como exemplo.

Usar aeronaves Agras ou Phantom 4 RTK

1. Ligue a Estação Móvel D-RTK 2.
2. Ligue o telecomando e verifique se a aplicação foi iniciada.
3. Na aplicação, vá a Definições de RTK para ativar a função RTK da aeronave. Selecione a fonte de sinal RTK para a Estação Móvel D-RTK 2. Ao ligar pela primeira vez, será exibida uma mensagem de ativação. Siga os passos no ecrã para ativação.

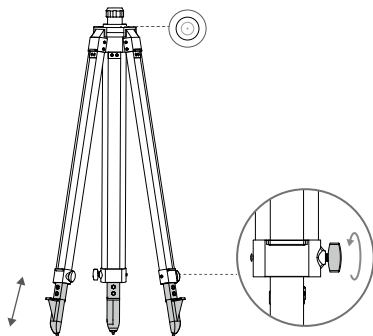
Usar com aeronaves M300 RTK ou M210 RTK V2

Ligue a estação móvel e verifique se está ligada à aeronave ou ao telecomando. Inicie a aplicação DJI Pilot e siga os passos no ecrã para ativação.

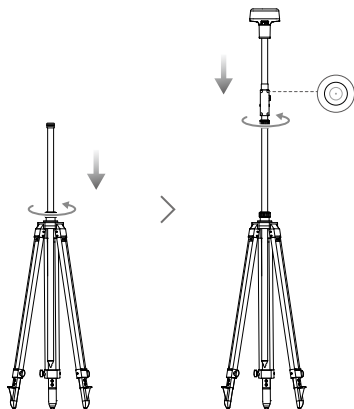
Configuração

Quando usada como uma estação base móvel, escolha uma área aberta para configurar a Estação Móvel D-RTK 2. Marque a localização e alinhe o centro do tripé com a marca para garantir que a Estação Móvel D-RTK 2 pode ser substituída no mesmo local.

1. Desdobre o tripé, estique as três pernas retráteis no comprimento desejado e depois aperte cada um dos três botões. Verifique se a bolha do nível de bolha na base de montagem está localizada dentro do círculo preto (visto da parte superior do nível de bolha verticalmente) enquanto mantém o tripé seguro.



2. Insira a haste de extensão no tripé e aperte a manga no tripé. Em seguida, fixe a estrutura da D-RTK 2 na haste de extensão e aperte a porca de fixação no corpo da D-RTK 2. Verifique se a bolha do nível de bolha na D-RTK 2 está localizada dentro do círculo preto (visto da parte superior do nível de bolha verticalmente).





- NÃO altere a posição ou o ângulo do tripé ou da Estação Móvel D-RTK 2 após o tripé ter sido nivelado, ou deve ser reajustado.
- O ambiente de configuração requer um campo de visão selvagem. Verifique se não há obstruções (árvores, edifícios) dentro da zona a mais de um ângulo de 15° acima do plano horizontal da antena D-RTK 2 para impedir que os sinais GNSS sejam absorvidos ou bloqueados.
- O local da instalação deve estar a, pelo menos, 200 m de distância das fontes de emissão de rádio de alta potência (como estações de televisão, estações de microondas, etc.) e a pelo menos 50 m de linhas de transmissão de alta tensão para evitar interferência eletromagnética nos sinais GNSS.
- O local da instalação deve estar longe de grandes áreas de água ou objetos que interfiram fortemente na recepção do sinal de satélite para reduzir os efeitos de caminhos múltiplos.

Utilização

Os modos de funcionamento disponíveis variam de acordo com os produtos utilizados com a Estação Móvel D-RTK 2. Selecione o modo de funcionamento correspondente de acordo com o produto em uso e siga as instruções abaixo.

Instruções

Modo de funcionamento 1/4

1. Levante a haste de extensão no tripé para ajustar a Estação Móvel D-RTK 2 na altura desejada e aperte a manga.
2. Ligue a Estação Móvel D-RTK 2, aguarde até que a inicialização do sistema seja concluída e entre no Modo de Funcionamento 1 ou 4.
3. Ligue o telecommando e a aeronave e verifique se a aplicação foi iniciada.
4. Na aplicação, vá para Definições de RTK para ativar a função RTK da aeronave. Defina a fonte do sinal RTK como Estação Móvel D-RTK 2 e visualize o ecrã Estado para verificar a ligação. Ao usar uma aeronave multispectral P4, toque em Ligar para estabelecer uma ligação à estação base.
5. Aguarde que o sistema comece a procurar satélites. Inicie os motores quando o ícone RTK exibir FIX ou o estado da orientação e do posicionamento da aeronave na tabela de estado nas definições RTK mostrar FIX.



Durante o voo, se a Estação Móvel D-RTK 2 for movida ou desligada, o RTK da aeronave passará para o modo GNSS e não entrará no estado RTK FIX novamente. Reinicie a Estação Móvel D-RTK 2 após o voo e aguarde até que entre no estado RTK FIX.

Modo de funcionamento 3

1. Ligue a Estação Móvel D-RTK 2, aguarde até que a inicialização seja concluída e entre no Modo de Funcionamento 3.
2. Ligue o telecommando e verifique se a aplicação foi iniciada. Verifique o ecrã inicial para garantir que o dispositivo de mapeamento portátil está ligado.
3. Em Definições de RTK, selecione a fonte de sinal RTK para o dispositivo de mapeamento portátil. Verifique se a Estação Móvel D-RTK 2 usada como dispositivo de mapeamento de mão está ligada a outra Estação Móvel D-RTK 2 usada como estação base ou servidor de rede RTK.
4. Defina o método de planeamento como RTK portátil para o planeamento da operação.

Modo de funcionamento 5

1. Ligue a Estação Móvel D-RTK 2, aguarde até que a inicialização do sistema seja concluída e entre no Modo de Funcionamento 5.
2. Verifique se o telecommando está ligado à rede de transmissão da Estação Móvel D-RTK 2.
3. Aguarde que o sistema comece a procurar satélites. Inicie os motores quando o estado da orientação e do posicionamento da aeronave na tabela de estado nas definições RTK mostrar FIX.

Definições avançadas

Modo de funcionamento 1/3/4

1. Vá para a parte inferior de Definições RTK e toque em Definições Avançadas.
2. As definições variam de acordo com o produto usado com a Estação Móvel D-RTK 2. As definições incluem gerir a lista de telecomandos ligados e exibir e editar o nome do dispositivo.
3. Insira as coordenadas e a altitude medidas* para configurá-las na Estação Móvel D-RTK 2 ao usar como estação base.

Modo de funcionamento 5

1. Vá para a parte inferior de Definições RTK e toque em Definições Avançadas. Insira a palavra-passe do administrador para entrar na configuração. A palavra-passe padrão é 123456.
2. Edite o nome da estação móvel e altere a palavra-passe.
3. Insira as coordenadas e a altitude medidas* para configurá-las na Estação Móvel D-RTK 2 ao usar como estação base.
4. A palavra-passe pode ser redefinida seguindo as instruções abaixo. Mantenha pressionado o botão Ligação na estação móvel por três segundos e, em seguida, pressione o botão Modo de Funcionamento uma vez. O indicador do Modo de Funcionamento passa de vermelho para verde, indicando que a palavra-passe foi redefinida com sucesso.

* Se as coordenadas inseridas na aplicação estiverem a mais de 50 m (para o Modo de Funcionamento 1) ou 15 m (para o Modo de Funcionamento 4 ou 5) das coordenadas reais da Estação Móvel D-RTK 2, estas não serão importadas.

Se a Estação Móvel D-RTK 2 for reiniciada depois de as coordenadas de entrada serem definidas com sucesso, estas coordenadas serão usadas apenas se a diferença entre as coordenadas reais e as coordenadas definidas for menor que 5 m. Caso contrário, serão usadas as coordenadas de posicionamento reais.

Apêndice

Especificações

Receptor GNSS	Frequência GNSS	Receber simultaneamente: GPS: L1, L2, L5; BeiDou: B1, B2, B3 GLONASS: F1, F2; Galileo: E1, E5A, E5B
	Precisão de posicionamento	Ponto único Horizontal: 1,5 m (RMS) Vertical: 3,0 m (RMS) RTK Horizontal: 1 cm + 1 ppm (RMS) Vertical: 2 cm + 1 ppm (RMS) 1 ppm: Para cada aumento de 1 km de distância, a precisão será de 1 mm a menos. Por exemplo, a precisão horizontal é de 1,1 cm quando a extremidade receptora está a 1 km da estação base.
	Taxa de atualização de posicionamento	1 Hz, 2 Hz, 5 Hz, 10 Hz e 20 Hz
	Arranque a frio	< 45 s
	Arranque a quente	< 10 s
	Tempo de recaptura	< 1 s
	Fiabilidade de inicialização	> 99,9%
Formato de dados diferenciais	RTCM 2.x/3.x	

Comunicação e armazenamento de dados	Ligação de dados	OcuSync, LAN, 4G, Wi-Fi
	Frequência de funcionamento	2,4000-2,4835 GHz, 5,725-5,850 GHz
	EIRP	OcuSync 2,4 GHz SRRC/CE/MIC/KCC: < 20 dBm FCC/NCC: < 26 dBm 5,8 GHz SRRC/NCC/FCC: < 26 dBm; CE: < 14 dBm Wi-Fi 2,4 GHz SRRC/CE/MIC/KCC: < 20 dBm FCC/NCC: < 22 dBm 5,8 GHz SRRC/NCC/FCC: < 22 dBm
	Distância de comunicação OcuSync	Modo de funcionamento 1/3 SRRC/NCC/FCC/MIC/KCC/CE: 2 km (Desobstruído e livre de interferências, quando a Estação Móvel D-RTK 2 é usada como estação base e a distância da antena D-RTK 2 até à parte inferior do tripé é de 1,8 m, quando a diferença de altura entre o telecomando e D-RTK 2 for menor que 2 m e quando o telecomando estiver a 1,2 m do nível do solo) Modo de funcionamento 4 Entre a aeronave e a estação móvel: NCC/FCC: 7 km; SRRC/MIC/KCC/CE: 5 km Entre o telecomando e a estação móvel: 200 m (Desobstruído e livre de interferências a uma altitude de voo de cerca de 120 m, quando a distância da antena D-RTK 2 até à parte inferior do tripé for de 1,8 m e quando o telecomando estiver a 1,2 m do nível do solo) Modo de funcionamento 5 NCC/FCC: 12 km; SRRC/MIC/KCC/CE: 6 km (Desobstruído e livre de interferências, quando a distância da antena D-RTK 2 até à parte inferior do tripé for de 1,8 m)
	Capacidade de memória	16 GB
IMU	Recursos	Acelerómetro de 6 eixos de alta precisão integrado Monitorização de movimento D-RTK 2 Medições inclinadas Nível de bolha eletrónica
Características elétricas	Consumo de energia	12 W
	Fonte de alimentação	16,5 a 58,8VDC
	Bateria	Tipo: Bateria de iões de lítio Capacidade: 4920 mAh Energia: 37,3 WH
	Tempo de execução	Bateria WB37: > 2 h

Características físicas	Dimensões (estrutura da D-RTK 2 com haste de extensão)	168 mm × 168 mm × 1708 mm
	Classificação IP	IP65
Temperatura de funcionamento	-20° a 55° C (-4° a 131° F)	

Atualizar o firmware

Atualize o firmware da D-RTK 2 no software DJI Assistant 2 ou na aplicação*. As instruções a seguir usam o software DJI Assistant 2 como exemplo.

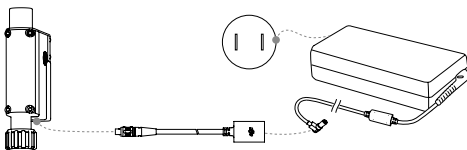
1. Ligue a Estação Móvel D-RTK 2.
2. Ligue a Estação Móvel D-RTK 2 ao computador através do cabo USB-C.
3. Inicie o DJI Assistant 2 e faça login com uma conta DJI.
4. Clique em D-RTK 2 e clique na etiqueta de atualização de firmware.
5. Selecione a versão de firmware desejada.
6. O DJI Assistant 2 fará o download e atualizará o firmware automaticamente.

* É necessária uma versão da aplicação compatível com atualização de firmware.

Uso de acessórios

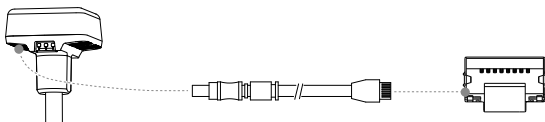
Cabo do transformador

Ligue o cabo do transformador à porta de alimentação externa e, em seguida, ligue o transformador a uma tomada (100-240V, 50/60Hz) com o cabo de alimentação CA.



Cabo LAN

Use o cabo LAN para aceder à rede pública.



Certifique-se de que cumpre as leis e regulamentos locais ao transmitir informações de posicionamento por satélite numa rede pública.

Este conteúdo está sujeito a alterações.

Transfira a versão mais recente disponível em
<http://www.dji.com/d-rtk-2>

Isenção de Responsabilidade

Agradecemos por adquirir a Estação Móvel GNSS de Alta Precisão D-RTK™ 2 (doravante denominada "Produto"). Leia esta isenção de responsabilidade com atenção antes de usar este Produto. Ao usar este Produto, você concorda com esta isenção de responsabilidade e confirma que a leu completamente. Use este Produto em estrita conformidade com o manual e não se esqueça de prestar atenção aos Avisos. SZ DJI TECHNOLOGY CO., LTD. e suas empresas afiliadas não assumem nenhuma responsabilidade por danos ou lesões decorrentes, direta ou indiretamente de uso, instalação ou reinstalação incorreta do produto, incluindo, mas não limitado ao uso de acessórios não designados.

DJI™ é uma marca comercial da SZ DJI TECHNOLOGY CO., LTD. (abreviada como "DJI") e das respectivas empresas afiliadas. Todos os nomes de produtos, marcas, etc. incluídos no presente manual são marcas comerciais ou marcas comerciais registradas das respectivas empresas detentoras. Este Produto e manual são protegidos pela DJI com todos os direitos reservados. Nenhuma parte deste Produto ou manual deve ser reproduzida de qualquer forma, sem o consentimento prévio por escrito ou autorização da DJI.

Existem versões em vários idiomas desta isenção de responsabilidade. Em caso de divergência entre as diferentes versões, prevalecerá a versão em chinês quando o produto em questão for comprado na China, e a versão em inglês deverá prevalecer quando o produto em questão for comprado em qualquer outra região.

Avisos

1. Para maximizar a vida útil da bateria, remova a bateria inteligente da estação móvel D-RTK 2 quando esta não estiver em uso.
2. Use apenas a D-RTK 2 na faixa de frequência correspondente e de acordo com leis e regulamentos locais.
3. NÃO curve ou dobre os cabos excessivamente.
4. Certifique-se de que a estação móvel D-RTK 2 esteja perfeitamente nivelada quando presa e encaixada.
5. Opere somente em ambientes abertos e livres de interferência de rádio. Desligue dispositivos próximos que estejam usando as mesmas frequências que a estação móvel D-RTK 2 (por exemplo, transceptores de rádio).
6. Verifique se as antenas de todos os dispositivos utilizados estão desobstruídas quando em uso.
7. Use somente peças originais DJI ou peças certificadas pela DJI. Peças não autorizadas ou peças de fabricantes não certificados pela DJI podem causar mau funcionamento do sistema e comprometer a segurança.
8. Verifique se a estação móvel D-RTK 2 e seus componentes estão livres de contaminação (por exemplo, água, óleo, terra e areia).
9. NÃO tente desmontar qualquer parte da estação móvel D-RTK 2 que já tenha sido montada antes do envio.
10. Manuseie as extremidades afiadas do cabo extensor e do tripé com cuidado.
11. Tome as medidas necessárias para proteger a Estação Móvel D-RTK 2 e as baterias de água da chuva, neve e/ou tempestades. Use com cuidado em condições climáticas severas.

Introdução

A estação móvel GNSS de alta precisão D-RTK 2 é um receptor de sinal de satélite de alta precisão que suporta quatro sistemas globais de navegação por satélite: GPS, BEIDOU, GLONASS e Galileo com recepção de sinal* de satélite de 11 bandas. Seus links de transmissão de dados integrados OCUSYNC™, LAN e 4G garantem uma transmissão de dados estável e ininterrupta sob uma variedade de cenários de aplicação. A estação móvel D-RTK 2 pode ser usada como estação base móvel RTK para obter precisão de posicionamento em nível de centímetro de uma aeronave equipada com um sistema de posicionamento DJI RTK (como Agras T20, T16, MG-1P RTK, Phantom 4 RTK, P4 multispectral, MATRICE™ 300 RTK ou Matrice 210 RTK V2). Suas funções não são comprometidas, mesmo em ambientes com forte interferência magnética, como por exemplo, perto de linhas de alta tensão ou estruturas metálicas. A estação móvel D-RTK 2 também pode ser usada como um dispositivo de mapeamento portátil para obter precisão aprimorada no posicionamento de pontos durante levantamento e mapeamento, ou elevação e outras aplicações de engenharia. Além disso, a estação móvel D-RTK 2 pode ser usada como estação base RTK estacionária para criar rapidamente serviços RTK em rede**.

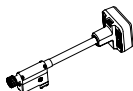
* Consulte as especificações para obter detalhes.

** Com suporte posterior. A DJI fornece apenas serviços técnicos; os usuários devem cumprir as leis, regulamentos e requisitos locais para a criação de serviços RTK em rede.

Incluído na embalagem

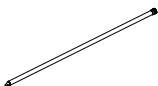
Estrutura da D-RTK 2

x1



Cabo extensor

x1



Carregador com múltiplas entradas

x1



Adaptador de Energia CA

x1



Bateria Inteligente (WB37)

x2



Tampa da bateria

x1



Cabo de alimentação CA

x1



Cabo USB-C

x1



Cabo USB-C OTG

x1



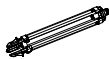
Chave sextavada

x1



Itens opcionais

① Tripé



② Cabo do Adaptador de Energia



③ Cabo LAN



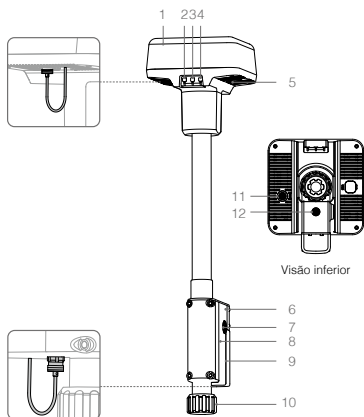
① Ao usar a estação móvel D-RTK 2 como estação base móvel, use o tripé para suportar a estrutura da D-RTK 2.

② Ao usar a estação móvel D-RTK 2 como estação base estacionária, use o cabo do adaptador de energia e o adaptador de energia CA para conectar à energia CA da fonte de alimentação de longo prazo.

③ Ao usar a estação móvel D-RTK 2 como estação base estacionária, use o cabo LAN para acessar o servidor na nuvem.

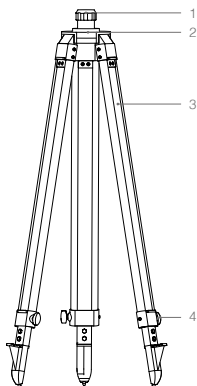
Visão geral

Estrutura da D-RTK 2



Visão inferior

Tripé



1. Antena
2. Botão de vinculação e Indicador
3. Botão liga/desliga e Indicador
4. Botão de modo operacional e Indicador
5. Porta USB-C
6. Compartimento do Dongle
7. Suporte em Roseta
8. Compartimento da bateria
9. Tampa da bateria
10. Porca de fixação
11. Entrada LAN*
12. Entrada de alimentação externa*

1. Bolsa
2. Base de suporte
3. Pernas retráteis
4. Puxadores

* Equipado com uma capa protetora que pode ser armazenada quando o equipamento estiver em uso. Quando não estiver em uso, cubra as portas para proteger o equipamento contra umidade e poeira.

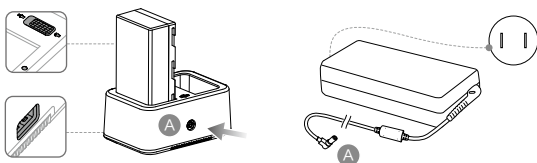
As ilustrações neste documento podem ser ligeiramente diferentes do produto real. Consulte o produto.

Preparação

Carregamento da bateria

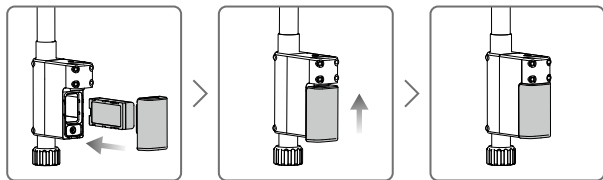
Pressione o botão do nível da bateria uma vez para verificar o nível da bateria. Carregue totalmente as baterias antes da primeira utilização.

1. Coloque a bateria no carregador com múltiplas entradas, conecte o adaptador de energia CA ao carregador com múltiplas entradas e, em seguida, conecte o adaptador de energia CA a uma tomada elétrica (100 a 240V, 50/60Hz).
2. O carregador com múltiplas entradas carregará as baterias de maneira inteligente em sequência, de acordo com os níveis de potência da bateria, do mais alto para o mais baixo.
3. O LED de status pisca em verde durante o carregamento e fica aceso em verde quando a carga estiver plena. O sinal sonoro começará a tocar quando o carregamento estiver completo. Remova a bateria ou desligue o sinal sonoro para pará-lo.



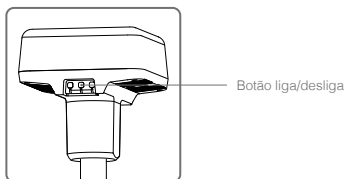
Consulte o Guia do usuário do carregador com múltiplas entradas WCH2 e as Diretrizes de segurança da bateria inteligente WB37 para obter mais detalhes.

Colocação da bateria



Ligar/desligar a estação móvel D-RTK 2

Pressione e segure o botão liga/desliga para ligar/desligar a estação móvel D-RTK 2.



Descrições dos indicadores de potência

Aceso em vermelho	Inicialização do sistema/notificação de erro
Piscando rapidamente luz vermelha	Nível da bateria está abaixo de 20%
Piscando lentamente luz vermelha	Sinais de ≤ 5 satélites recebidos
Aceso em amarelo	Sinais de 6 a 9 satélites recebidos
Aceso em verde	Sinais de ≥ 10 satélites recebidos

Modo operacional

A estação móvel D-RTK 2 oferece cinco modos de operação para uso com diferentes produtos. Siga as instruções abaixo para alternar entre os modos.

1. Pressione e segure o botão Modos de operação por dois segundos. O indicador passará de verde para amarelo para indicar que o dispositivo entrou no status de alteração de modo.
2. Pressione o botão Modos de operação uma vez para alternar os modos. Aguarde dois segundos para o dispositivo entrar no modo correspondente. O indicador passará de amarelo para verde. Os modos de operação são indicados pelo padrão piscante do indicador. Consulte a tabela abaixo.
3. O dispositivo permanecerá no modo original se não for utilizado dentro de dois segundos após a inserção do status do alteração de modo.

Modos	Nome e produtos compatíveis	Padrão de luzes piscando
Modo operacional 1	Estação de base móvel (T20/T16/MG-1P RTK/Phantom 4 RTK/P4 multiespectral)	Uma vez
Modo operacional 2	Estação de base estacionária*	Duas vezes
Modo operacional 3	Dispositivo de mapeamento portátil (T20/T16/MG-1P RTK/Phantom 4 RTK)	Três vezes
Modo operacional 4	Estação de base móvel (M210 RTK V2)	Quatro vezes
Modo operacional 5	Estação de base móvel (modo transmissão, M300 RTK)	Cinco vezes

* Com suporte posterior.

Como usar a estação móvel D-RTK 2

As operações são semelhantes ao usar a estação móvel D-RTK 2 com produtos diferentes. Salvo indicação em contrário, as descrições abaixo são compatíveis com todos os produtos que funcionam no modo correspondente.

Como conectar-se ao controle remoto ou aeronave


Método de conexão

O método de conexão varia dependendo do modo operacional. Veja as instruções abaixo.

Modo operacional 1


Utilização com aeronaves Agras ou Phantom 4 RTK

A estação móvel D-RTK 2 deve estar vinculada ao controle remoto no aplicativo. As descrições a seguir usam o aplicativo DJI Agras como exemplo.

1. Ligue a estação móvel D-RTK 2, aguarde até a inicialização do sistema ser concluída e entre no Modo operacional 1.
2. Ligue o controle remoto e verifique se o aplicativo foi iniciado.
3. No aplicativo, vá até Visualização de Operação >  > RTK para ativar a função RTK da aeronave. Selecione a fonte de sinal RTK para a estação móvel D-RTK 2. Em seguida, toque em Vincular na parte inferior. O indicador de status do controle remoto piscará em azul e um sinal sonoro do controle remoto indicará que o controle remoto está sendo vinculado.
4. Pressione o botão de vinculação na estação móvel D-RTK 2 e o indicador de vinculação piscará em vermelho e verde alternadamente, indicando que a estação móvel D-RTK 2 está sendo vinculada.

5. A vinculação é bem-sucedida quando a luz indicadora no controle remoto ficar verde constante. O indicador de link da D-RTK 2 mostra o status atual de funcionamento. Consulte a tabela abaixo para obter detalhes.
6. O controle remoto e a aeronave devem ser vinculados novamente depois que o controle remoto for vinculado à estação móvel D-RTK 2. Existem três maneiras de fazer isso:
 - Após conectar o controle remoto à estação móvel D-RTK 2, clique em Vincular com a aeronave na janela pop-up para vinculá-lo à aeronave. Em seguida, pressione o botão de vinculação na aeronave para concluir a vinculação.
 - Na página de Configurações do RTK, clique no botão (?) próximo ao prompt indicando que a aeronave foi desconectada, e depois clique em Vincular com a aeronave na janela pop-up para vinculá-lo à aeronave.
 - Vincule o controle remoto à aeronave na página de Configurações de RC. Quando terminar, vá para a página de Configurações do RTK e clique em Tentar reconexão próximo ao Status do D-RTK 2 para reconectar-se ao D-RTK 2. O status do D-RTK 2 deve indicar Conexão bem sucedida para que as funções do RTK funcionem.

Como usar com aeronaves multiespectrais P4

1. Ligue a estação móvel D-RTK 2, aguarde até a inicialização do sistema ser concluída e entre no Modo operacional 1.
2. Ligue o controle remoto e verifique se o aplicativo DJI GS Pro foi iniciado.
3. Vá para a Página de Missão no DJI GS Pro, clique no ícone  ou RTK na parte superior da tela para acessar o menu de configurações RTK e, em seguida, selecione D-RTK 2 como fonte de sinal RTK. Ative o RTK da aeronave na parte inferior do menu para garantir que a aeronave tenha acesso aos dados RTK.
4. Clique em Vincular. O controle remoto começará a apitar. Em seguida, pressione o botão de vinculação na estação móvel.
5. A vinculação é bem-sucedida quando a luz indicadora no controle remoto ficar verde constante. O indicador de link da D-RTK 2 mostra o status atual de funcionamento. Consulte a tabela abaixo para obter detalhes.



- Quando a estação móvel D-RTK 2 estiver conectada ao controle remoto e a aeronave estiver sendo controlada pelo controle remoto, a estação móvel D-RTK 2 não poderá ser vinculada a outros controles remotos. Se necessário, vincule depois que a aeronave pousar e os motores pararem.
- Uma estação móvel D-RTK 2 pode conectar-se a até cinco controles remotos.

Modo operacional 3

A estação móvel D-RTK 2 deve estar vinculada ao controle remoto.

1. Ligue a estação móvel D-RTK 2, aguarde até a inicialização do sistema ser concluída e entre no Modo operacional 3.
2. Ligue o controle remoto. Vá para Configurações do controle remoto no aplicativo e clique em Vinculação. O LED de status pisca em azul e o controle remoto emite dois bipes repetidamente, indicando que o controle remoto está pronto para vinculação.
3. Pressione o botão de vinculação na estação móvel D-RTK 2 e o indicador de vinculação piscará em vermelho e verde alternadamente, indicando que a estação móvel D-RTK 2 está sendo vinculada.
4. A vinculação é bem-sucedida quando a luz indicadora no controle remoto ficar verde constante. O indicador de link da D-RTK 2 mostra o status atual de funcionamento. Consulte a tabela abaixo para obter detalhes.

Modo operacional 4

A estação móvel D-RTK 2 deve estar vinculada à aeronave M210 RTK V2.

1. Ligue a aeronave M210 RTK V2 e verifique se ela está vinculada ao controle remoto.
2. Pressione o botão de vinculação na estação móvel D-RTK 2 e o indicador de vinculação piscará em vermelho e verde alternadamente, indicando que a estação móvel D-RTK 2 está sendo vinculada.
3. Pressione o botão de vinculação na aeronave.
4. Aguarde alguns segundos. Você saberá que a vinculação foi bem-sucedida quando as luzes indicadoras da aeronave e da estação móvel ficarem verde constante.

Modo operacional 5

Ao usar com o M300 RTK, o controle remoto deve ingressar na rede de transmissão da estação móvel D-RTK 2.

1. Ligue a estação móvel D-RTK 2, aguarde até a inicialização do sistema ser concluída e entre no Modo operacional 5.
2. Ligue o controle remoto. Vá para Configurações RTK no aplicativo DJI Pilot e defina a fonte de sinal RTK como a estação móvel D-RTK 2.
3. Clique em ➤ à direita da tela de status da estação móvel D-RTK 2 e uma busca será iniciada automaticamente. Selecione a estação base RTK desejada nos resultados da pesquisa e aguarde uma conexão bem-sucedida.

Descrições dos Indicadores de Link

Quando o processo de vinculação iniciar, o indicador piscará em vermelho e verde, alternadamente.

Quando o processo de vinculação for concluído, os padrões de piscamento do indicador serão como mostrado abaixo.

Modo operacional 1/3/4	Status
Aceso em verde	OcuSync qualidade do sinal superior a 70%
Verde piscando rápido	OcuSync qualidade do sinal 35% a 70%
Verde piscando devagar	OcuSync qualidade do sinal ≤ 35%
Aceso em vermelho	OcuSync qualidade do sinal = 0
Modo operacional 2	Status
Aceso em verde	Rede conectada
Aceso em vermelho	Rede desconectada
Modo operacional 5	Status
Aceso em verde	Funcionando normalmente

Ativação

Certifique-se de ativar a estação móvel D-RTK 2 antes da primeira utilização. A ativação pode ser feita no aplicativo ou no software DJI ASSISTANT™ 2. As descrições a seguir usam o aplicativo como exemplo.

Utilização com aeronaves Agram ou Phantom 4 RTK

1. Ligue a estação móvel D-RTK 2.
2. Ligue o controle remoto e verifique se o aplicativo foi iniciado.
3. No aplicativo, vá até Configurações RTK para ativar a função RTK da aeronave. Selecione a fonte de sinal RTK para a estação móvel D-RTK 2. Ao conectar pela primeira vez, um prompt de ativação será exibido. Siga as etapas na tela para ativação.

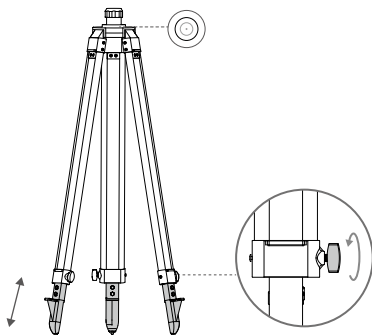
Utilização com a aeronave M300 RTK ou M210 RTK V2

Ligue a estação móvel e verifique se ela está vinculada à aeronave ou ao controle remoto. Inicie o aplicativo DJI Pilot e siga as etapas na tela para ativação.

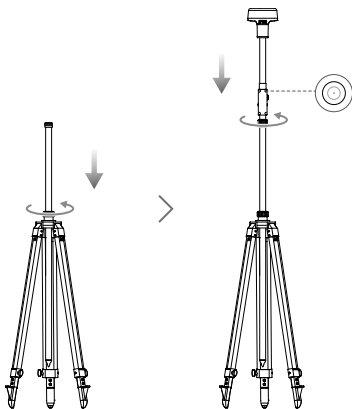
Configuração

Quando usada como uma estação base móvel, escolha uma área aberta para configurar a estação móvel D-RTK 2. Marque a localização e alinhe o centro do tripé com a marca para garantir que a estação móvel D-RTK 2 possa ser substituída no mesmo local.

1. Desdobre o tripé, estique as três pernas retráteis no comprimento desejado e depois aperte cada um dos três puxadores. Verifique se a bolha do nível de bolha na base de suporte está localizada dentro do círculo preto (visto da parte superior do nível de bolha, verticalmente) enquanto mantém o tripé seguro.



2. Insira o cabo extensor no tripé e aperte a bolsa no tripé. Em seguida, conecte a estrutura do D-RTK 2 no cabo extensor e aperte a porca de trava na estrutura do D-RTK 2. Verifique se a bolha do nível de bolha no D-RTK 2 está localizada dentro do círculo preto (visto da parte superior do nível de bolha, verticalmente).





- NÃO altere a posição ou o ângulo do tripé ou da estação móvel D-RTK 2 após o nivelamento do tripé; caso contrário, ele deve ser reajustado.
- O ambiente de instalação requer um campo de visão amplo. Verifique se não há obstruções (árvores, edifícios) dentro da zona superior a um ângulo de 15° acima do plano horizontal da antena D-RTK 2 para impedir que os sinais GNSS sejam absorvidos ou bloqueados.
- O local da instalação deve estar a pelo menos 200 m de distância das fontes de emissão de rádio de alta potência (tais como estações de TV, estações de micro-ondas, etc.) e a pelo menos 50 m de linhas de transmissão de alta tensão para evitar interferência eletromagnética nos sinais GNSS.
- O local da instalação deve estar longe de grandes áreas com água ou objetos que interfiram fortemente na recepção do sinal de satélite, reduzindo os efeitos de caminhos múltiplos.

Uso

Os modos de operação disponíveis variam, dependendo dos produtos utilizados com a estação móvel D-RTK 2. Selecione o modo operacional correspondente, de acordo com o produto em uso e siga as instruções abaixo.

Instruções

Modo operacional 1/4

1. Levante o cabo extensor no tripé para ajustar a estação móvel D-RTK 2 na altura desejada e aperte a bolsa.
2. Ligue a estação móvel D-RTK 2, aguarde até a inicialização do sistema ser concluída e entre no Modo operacional 1 ou 4.
3. Ligue o controle remoto e a aeronave e verifique se o aplicativo foi iniciado.
4. No aplicativo, vá até Configurações RTK para ativar a função RTK da aeronave. Defina a fonte do sinal RTK para a estação móvel D-RTK 2 e visualize a tela Status para verificar a conexão. Ao usar uma aeronave multiespectral P4, toque em Conectar para estabelecer uma conexão com a estação base.
5. Aguarde o sistema começar a procurar satélites. Ligue os motores quando o ícone RTK exibir FIX ou o status da orientação e do posicionamento da aeronave na tabela de status nas configurações RTK mostrar FIX.



Durante o voo, se a estação móvel D-RTK 2 for movida ou desligada, o RTK da aeronave passará para o modo GNSS e não entrará no status RTK FIX novamente. Reinicie a estação móvel D-RTK 2 após o voo e aguarde até que ela entre no status RTK FIX.

Modo operacional 3

1. Ligue a estação móvel D-RTK 2, aguarde até a inicialização do sistema ser concluída e entre no Modo operacional 3.
2. Ligue o controle remoto e verifique se o aplicativo foi iniciado. Verifique a tela inicial para garantir que o dispositivo de mapeamento portátil esteja conectado.
3. Em Configurações RTK, selecione a fonte de sinal RTK para o dispositivo de mapeamento portátil. Verifique se a estação móvel D-RTK 2 usada como dispositivo de mapeamento portátil está conectada a outra estação móvel D-RTK 2 usada como estação base ou servidor de rede RTK.
4. Defina o método de planejamento como RTK portátil para o planejamento da operação.

Modo operacional 5

1. Ligue a estação móvel D-RTK 2, aguarde até a inicialização do sistema ser concluída e entre no Modo operacional 5.
2. Verifique se o controle remoto está conectado à rede de transmissão da estação móvel D-RTK 2.
3. Aguarde o sistema começar a procurar satélites. Inicie os motores quando o status da orientação e do posicionamento da aeronave na tabela de status nas configurações RTK mostrar FIX.

Configurações avançadas

Modo operacional 1/3/4

1. Vá até a parte inferior de Configurações RTK e clique em Configurações avançadas.
2. As configurações variam de acordo com o produto usado com a estação móvel D-RTK 2. As configurações incluem gerenciar a lista de controles remotos vinculados e exibir e editar o nome do dispositivo.
3. Insira as coordenadas e a altitude* medidas para configurá-las na estação móvel D-RTK 2 ao usar como estação base.

Modo operacional 5

1. Vá até a parte inferior de Configurações RTK e clique em Configurações avançadas. Digite a senha do administrador para entrar na configuração. A senha padrão é 123456.
2. Edite o nome da estação móvel e altere a senha.
3. Insira as coordenadas e a altitude* medidas para configurá-las na estação móvel D-RTK 2 ao usar como estação base.
4. A senha pode ser redefinida seguindo as instruções abaixo. Mantenha pressionado o botão de vinculação na estação móvel por três segundos e, em seguida, pressione o botão modo operacional uma vez. O indicador do modo operacional muda de vermelho para verde, indicando que a senha foi redefinida com sucesso.

* Se as coordenadas inseridas no aplicativo estiverem a mais de 50 m (para o Modo operacional 1) ou 15 m (para o modo operacional 4 ou 5) das coordenadas reais da estação móvel D-RTK 2, elas não serão importadas. Se a estação móvel D-RTK 2 for reiniciada depois que as coordenadas de entrada forem definidas com sucesso, essas coordenadas serão usadas apenas se a diferença entre as coordenadas reais e as coordenadas definidas for menor que 5 m. Caso contrário, as coordenadas de posicionamento reais serão usadas.

Apêndice

Especificações

Receptor GNSS	Frequência GNSS	Receba simultaneamente: GPS: L1, L2, L5; BeiDou: B1, B2, B3 GLONASS: F1, F2; Galileo: E1, E5A, E5B
	Precisão de posicionamento	Ponto único Horizontal: 1,5 m (RMS) Vertical: 3,0 m (RMS) RTK Horizontal: 1 cm + 1 ppm (RMS) Vertical: 2 cm + 1 ppm (RMS) 1 ppm: Para cada aumento de 1 km na distância, a precisão será 1 mm menor. Por exemplo, a precisão horizontal será de 1,1 cm quando a parte receptora estiver a 1 km da estação base.
	Taxa de atualização de posicionamento	1 Hz, 2 Hz, 5 Hz, 10 Hz e 20 Hz
	Partida a frio	< 45 s
	Partida a quente	< 10 s
	Tempo de recaptura	< 1 s
	Confiabilidade de inicialização	> 99,9%
	Formato de dados diferenciais	RTCM 2.x/3.x

Comunicação e armazenamento de dados	Link de dados	OcuSync, LAN, 4G, Wi-Fi
	Frequência de funcionamento	2,4 a 2,4835 GHz; 5,725 a 5,850 GHz
	EIRP	OcuSync 2,4 GHz SRRC/CE/MIC/KCC: < 20 dBm FCC/NCC: < 26 dBm 5,8 GHz SRRC/NCC/FCC: < 26 dBm; CE: < 14 dBm Wi-Fi 2,4 GHz SRRC/CE/MIC/KCC: < 20 dBm FCC/NCC: < 22 dBm 5,8 GHz SRRC/NCC/FCC: < 22 dBm
	Distância de comunicação OcuSync	Modo operacional 1/3 SRRC/NCC/FCC/MIC/KCC/CE: 2 km (Desobstruído e sem interferências, quando a estação móvel D-RTK 2 for usada como estação base e a distância da antena D-RTK 2 até a parte inferior do tripé for de 1,8 m, quando a diferença de altura entre o controle remoto e D-RTK 2 for menor que 2 m e quando o controle remoto estiver a 1,2 m do nível do solo) Modo operacional 4 Entre a aeronave e a estação móvel: NCC/FCC: 7 km; SRRC/MIC/KCC/CE: 5 km Entre o controle remoto e a estação móvel: 200 m (Desobstruído e sem interferências a uma altitude de voo de cerca de 120 m, quando a distância da antena D-RTK 2 até a parte inferior do tripé for de 1,8 m e quando o controle remoto estiver a 1,2 m do nível do solo) Modo operacional 5 NCC/FCC: 12 km; SRRC/MIC/KCC/CE: 6 km (Desobstruído e sem interferências, quando a distância da antena D-RTK 2 até a parte inferior do tripé for de 1,8 m)
	Capacidade de memória	16 GB
UMI	Recursos	Acelerômetro de 6 eixos de alta precisão embutido Monitoramento de movimento D-RTK 2 Medições inclinadas Nível de bolha eletrônico
Características elétricas	Consumo de energia	12 W
	Fonte de alimentação	16,5 to 58,8 VCC
	Bateria	Tipo: Bateria de íons de lítio Capacidade: 4.920 mAh Energia: 37,3 WH
	Tempo de execução	Bateria WB37: > 2 h

Características físicas	Dimensões (D-RTK 2 estrutura com cabo extensor)	168 mm × 168 mm × 1708 mm
	Classificação IP	IP65
Temperatura de funcionamento	-20° a 55 °C (-4° a 131 °F)	

Atualização do firmware

Atualize o firmware do D-RTK 2 no software DJI Assistant 2 ou no aplicativo*. As instruções a seguir usam o software DJI Assistant 2 como exemplo.

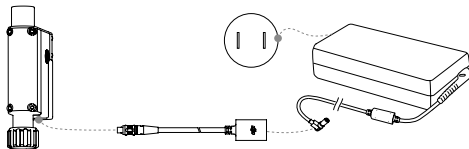
1. Ligue a estação móvel D-RTK 2.
2. Conecte a estação móvel D-RTK 2 ao computador através do cabo USB-C.
3. Inicie o DJI Assistant 2 e faça login com uma conta da DJI.
4. Clique em D-RTK 2 e clique na tag de atualização de firmware.
5. Selecione a versão do firmware desejada.
6. O DJI Assistant 2 fará o download e atualizará o firmware automaticamente.

* É necessária uma versão do aplicativo compatível com a atualização do firmware.

Uso de acessórios

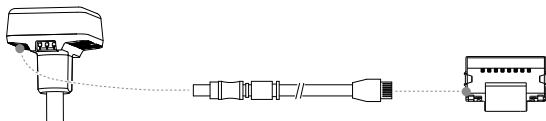
Cabo do Adaptador de Energia

Conecte o cabo do adaptador de energia à entrada de alimentação externa e, em seguida, conecte o adaptador de energia a uma tomada elétrica (100 a 240V, 50/60Hz) com o cabo de energia CA.



Cabo LAN

Use o cabo LAN para acessar a rede pública.



Certifique-se de cumprir leis e regulamentos locais ao transmitir informações de posicionamento por satélite em uma rede pública.

Este conteúdo está sujeito a alterações.

Baixe a versão mais recente disponível em
<http://www.dji.com/d-rtk-2>

Отказ от ответственности

Благодарим вас за приобретение мобильной станции D-RTK™ 2 для высокоточной спутниковой системы позиционирования (в дальнейшем именуемой «Продукт»). Ознакомьтесь с этим отказом от ответственности перед использованием Продукта. Используя данный Продукт, вы подтверждаете, что полностью прочитали этот отказ от ответственности и соглашаетесь с ним. Осуществляйте эксплуатацию данного Продукта в строгом соответствии с руководством пользователя и уделяйте особое внимание Предупреждениям. SZ DJI TECHNOLOGY CO., LTD. и дочерние компании не несут никакой ответственности за ущерб или травмы, напрямую или косвенно причиненные в результате использования, установки или внесения изменений в конструкцию этого Продукта, включая, без ограничений, использование не предназначенных для него аксессуаров.

DJI™ — это товарный знак компании SZ DJI TECHNOLOGY CO., LTD. (сокращенно «DJI») и дочерних компаний. Названия продуктов, торговых марок и т. д., содержащиеся в данном руководстве, являются товарными знаками или зарегистрированными товарными знаками соответствующих компаний-владельцев. Данный Продукт и руководство DJI охраняются законом о защите авторских прав. Все права защищены. Никакая часть данного Продукта или руководства не может быть воспроизведена в любой форме без предварительного письменного согласия или разрешения DJI.

Этот отказ от ответственности доступен на нескольких языках. В случае расхождений между разными версиями документа, версия на китайском языке будет иметь преимущественную силу, если данный Продукт был приобретен в Китае. Версия на английском языке имеет преимущественную силу, если Продукт был приобретен в любом другом регионе.

Предупреждения

1. Для увеличения срока службы аккумулятора извлекайте аккумулятор Intelligent Battery, когда мобильная станция D-RTK 2 не используется.
2. Эксплуатируйте мобильную станцию D-RTK 2 только в соответствующем диапазоне частот согласно местным законам и нормативным актам.
3. НЕ складывайте и НЕ изгибайте кабели чрезмерно.
4. Убедитесь, что мобильная станция D-RTK 2 установлена и закреплена в идеально ровном положении.
5. Эксплуатируйте устройство только на открытой местности при отсутствии радиопомех. При эксплуатации мобильной станции D-RTK 2 выключайте расположенные рядом устройства, работающие на тех же частотах (например, радиопередатчики).
6. При эксплуатации убедитесь, что антенны всех используемых устройств не загорожены.
7. Используйте только оригинальные или сертифицированные запчасти DJI. Компоненты сторонних и не сертифицированных компаний DJI производителей могут привести к неисправности системы и вызвать угрозу безопасности.
8. Убедитесь, что на мобильной станции D-RTK 2 и ее компонентах отсутствуют загрязнения (такие как вода, масло, почва, песок и т. д.).
9. Не пытайтесь разобрать какие-либо части мобильной станции D-RTK 2, которые были предварительно собраны или смонтированы перед поставкой.
10. Соблюдайте осторожность при обращении с острыми концами монопода и штатива.
11. Примите необходимые меры для защиты мобильной станции D-RTK 2 и аккумуляторов от воды, в частности, от дождя и снега. Эксплуатируйте с осторожностью в неблагоприятных погодных условиях.

Введение

Мобильная станция для высокоточной спутниковой системы позиционирования D-RTK 2 представляет собой высокоточный приемник спутникового сигнала, поддерживающий четыре глобальные спутниковые навигационные системы: GPS, BeiDou, ГЛОНАСС и Галилео с 11-полосным приемником спутникового сигнала*. Ее встроенные модули передачи данных OCUSYNC™, LAN и 4G обеспечивают бесперебойную и стабильную передачу данных при различных сценариях эксплуатации. Мобильная станция D-RTK 2 может использоваться в качестве мобильной базовой станции RTK, которая обеспечит позиционирование с точностью до сантиметра для дрона, оборудованного системой позиционирования DJI RTK (например, Agras T20, T16, MG-1P RTK, Phantom 4 RTK, P4 Multispectral, MATRICE™ 300 RTK или Matrice 210 RTK V2). Станция может работать без перебоев даже в средах с сильными магнитными помехами, например, рядом с высоковольтными линиями электропередачи или металлическими конструкциями. Мобильная станция D-RTK 2 также может применяться в качестве портативного картографического устройства для достижения повышенной точности позиционирования точек во время съемки, картографирования или лофтинга, а также выполнения других технических задач. Мобильная станция D-RTK 2 может также использоваться в качестве стационарной базовой станции RTK для быстрого предоставления сетевых сервисов RTK**.

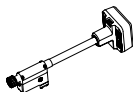
* Подробная информация приведена в разделе «Технические характеристики».

** Поддержка будет доступна в будущем. Компания DJI предоставляет только технические услуги. Пользователи должны соблюдать местные законы, нормативные акты и требования, применимые к предоставлению сетевых сервисов RTK.

Комплект поставки

Корпус D-RTK 2

×1



Монопод

×1



Зарядный концентратор

×1



Адаптер питания переменного тока

×1



Аккумулятор Intelligent Battery (WB37)

×2



Крышка отсека аккумулятора

×1



Кабель питания переменного тока

×1



Кабель USB-C

×1



Кабель USB-C OTG

×1



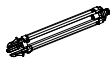
Шестигранный ключ

×1



Дополнительные аксессуары

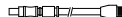
① Штатив



② Кабель для сетевого адаптера



③ Кабель LAN



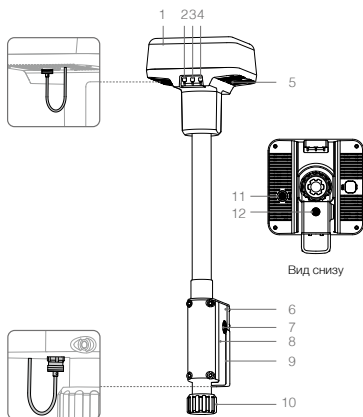
① При использовании мобильной станции D-RTK 2 в качестве мобильной базовой станции устанавливайте ее на штатив.

② При использовании мобильной станции D-RTK 2 в качестве стационарной базовой станции воспользуйтесь адаптером питания переменного тока и кабелем адаптера для ее подключения к источнику переменного тока и обеспечения непрерывного питания.

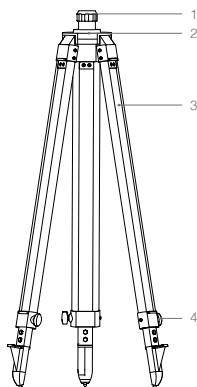
③ При использовании мобильной станции D-RTK 2 в качестве стационарной базовой станции воспользуйтесь кабелем LAN для подключения к облачному серверу.

Общий вид

Корпус D-RTK 2



Штатив



1. Антенна
2. Индикатор и кнопка сопряжения
3. Индикатор и кнопка питания
4. Индикатор и кнопка режима работы
5. Порт USB-C
6. Отсек для модема
7. Универсальное крепление
8. Отсек для аккумулятора
9. Крышка отсека аккумулятора
10. Стопорная гайка
11. Порт LAN*
12. Порт для внешнего питания*

1. Муфта
2. Основание крепления
3. Складные ножки
4. Ручки регулировки

* Оснащен защитной крышкой, которую следует сохранить, когда устройство эксплуатируется. По завершении эксплуатации необходимо закрыть порты крышками, чтобы защитить их от влаги и пыли.

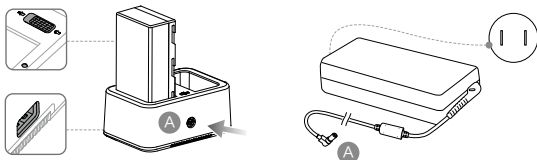
Иллюстрации в настоящем документе могут немного отличаться от фактического внешнего вида. Принимайте за эталон фактический вид устройства.


Подготовка

Зарядка аккумулятора

Нажмите кнопку уровня заряда аккумулятора один раз, чтобы проверить уровень его заряда. Полностью зарядите аккумуляторы перед первым использованием.

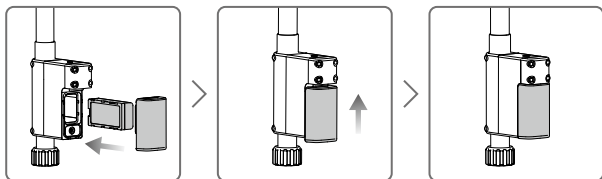
1. Вставьте аккумулятор в зарядный концентратор, подключите к концентратору адаптер питания переменного тока, а затем включите адаптер в розетку (100–240 В, 50/60 Гц).
2. Зарядный концентратор обеспечивает интеллектуальную зарядку аккумуляторов согласно их уровню заряда: от высокого к низкому.
3. При зарядке светодиодный индикатор состояния мигает зеленым цветом, а по достижении полного заряда начинает непрерывно светиться зеленым. По завершении зарядки начинает подаваться звуковой сигнал. Извлеките аккумулятор или выключите звуковой сигнал.



 Более подробная информация приведена в руководстве пользователя зарядного концентратора WCH2 и инструкции по технике безопасности аккумулятора Intelligent Flight Battery WB37.

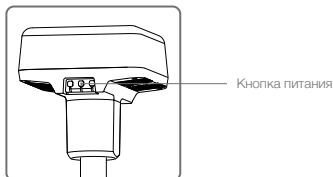
RU

Установка аккумулятора



Включение/выключение мобильной станции D-RTK 2

Для включения/выключения мобильной станции D-RTK 2 нажмите и удерживайте кнопку питания.



Расшифровка значений сигналов индикатора питания

Непрерывно горит красным	Инициализация системы / Уведомление об ошибке
Быстро мигает красным	Уровень заряда аккумулятора менее 20%
Медленно мигает красным	Принимаются сигналы от ≤ 5 спутников
Непрерывно горит желтым	Принимаются сигналы от 6–9 спутников
Непрерывно горит зеленым	Принимаются сигналы от ≥ 10 спутников

Режимы работы

У мобильной станции D-RTK 2 предусмотрено пять режимов работы для использования с разными устройствами. Для переключения режимов следуйте инструкциям ниже.

1. Нажмите и удерживайте кнопку режима работы в течение двух секунд. Цвет индикатора изменится с зеленого на желтый, что указывает на то, что устройство перешло в состояние переключения режима.
2. Нажмите кнопку режима работы один раз для переключения режима. Подождите две секунды, пока устройство перейдет в соответствующий режим. Цвет индикатора изменится с желтого на зеленый. Режимы работы обозначаются с помощью характера мигания индикатора. См. таблицу ниже.
3. Режим работы устройства останется без изменений, если не последует никаких действий по прошествии двух секунд после перехода устройства в состояние переключения режима.

Режимы	Название и совместимые устройства	Характер мигания
Режим работы 1	Мобильная базовая станция (T20/T16/MG-1P RTK/Phantom 4 RTK/P4 Multispectral)	Один раз
Режим работы 2	Стационарная базовая станция*	Два раза
Режим работы 3	Портативное картографическое устройство (T20/T16/MG-1P RTK/Phantom 4 RTK)	Три раза
Режим работы 4	Мобильная базовая станция (M210 RTK V2)	Четыре раза
Режим работы 5	Мобильная базовая станция (телевещательный режим, M300 RTK)	Пять раз

* Поддержка будет доступна в будущем.

Эксплуатация мобильной станции D-RTK 2

Мобильная станция D-RTK 2 функционирует сходным образом при использовании с различными устройствами. Если не указано иное, приведенные ниже описания подходят ко всем устройствам, работающим в соответствующем режиме.

Подключение к пульта управления или дрону


Способ подключения

Способ подключения изменяется в зависимости от режима работы. См. инструкции ниже.

Режим работы 1


Использование с дроном Phantom 4 RTK или Aгras

Необходимо выполнить сопряжение мобильной станции D-RTK 2 с пультом управления в приложении. В следующих описаниях используется приложение DJI Aгras в качестве примера.

1. Включите мобильную станцию D-RTK 2, дождитесь выполнения инициализации системы и перейдите в режим работы 1.
2. Включите пульт управления и убедитесь, что приложение запущено.
3. В приложении перейдите в «Рабочий вид» (Operation View) >  > RTK, чтобы включить функцию RTK дрона. В качестве источника сигнала RTK выберите мобильную станцию D-RTK 2. Затем нажмите «Сопряжение» (Linking) внизу. Индикатор состояния пульта управления начнет мигать синим, а звуковой сигнал пульта управления оповестит о выполнении процесса сопряжения.

4. Нажмите кнопку сопряжения на мобильной станции D-RTK 2, и индикатор сопряжения начнет попеременно мигать красным и зеленым, указывая на выполнение процесса сопряжения.
5. Когда индикатор на пульте управления начнет непрерывно светиться зеленым, это укажет на успешное выполнение сопряжения. Индикатор сопряжения D-RTK 2 указывает текущее рабочее состояние. Подробная информация приведена в таблице ниже.
6. После выполнения сопряжения пульта управления с мобильной станцией D-RTK 2 необходимо повторно выполнить сопряжение пульта управления с дроном. Это можно сделать тремя способами:
 - После сопряжения пульта управления с мобильной станцией D-RTK 2, выберите Сопряжение с дроном во всплывающем окне, чтобы выполнить сопряжение с дроном. Затем нажмите кнопку сопряжения на дроне для завершения сопряжения.
 - На странице настроек RTK нажмите кнопку  рядом с уведомлением об отключении дрона, и затем выберите Сопряжение с дроном во всплывающем окне, чтобы выполнить сопряжение с дроном.
 - Выполните сопряжение пульта управления с дроном на странице настроек RC. По окончании перейдите на страницу настроек RTK и нажмите Повторить попытку подключения рядом с указателем состояния D-RTK 2 для повторного подключения к D-RTK 2. Если в состоянии D-RTK 2 указано Успешное подключение, функции RTK будут работать.

Использование с дроном P4 Multispectral

1. Включите мобильную станцию D-RTK 2, дождитесь выполнения инициализации системы и перейдите в режим работы 1.
2. Включите пульт управления и убедитесь, что приложение DJI GS Pro запущено.
3. В приложении DJI GS Pro перейдите на страницу просмотра задачи (Mission), нажмите значок  или RTK в верхней части экрана, чтобы перейти в меню настроек RTK, а затем выберите D-RTK 2 в качестве источника сигнала RTK. Включите систему RTK дрона в нижней части меню, чтобы обеспечить доступ дрона к данным RTK.
4. Нажмите «Сопряжение». Пульт управления начнет подавать звуковой сигнал. Затем нажмите кнопку сопряжения на мобильной станции.
5. Когда индикатор на пульте управления начнет непрерывно светиться зеленым, это укажет на успешное выполнение сопряжения. Индикатор сопряжения D-RTK 2 указывает текущее рабочее состояние. Подробная информация приведена в таблице ниже.



- После подключения мобильной станции D-RTK 2 к пульту управления и управления дроном с этого пульта, нельзя будет выполнить сопряжение мобильной станции D-RTK 2 с другими пультами управления. Если это необходимо, выполните сопряжение после посадки дрона и выключения моторов.
- Одна мобильная станция D-RTK 2 может быть сопряжена не более чем с пятью пультами управления.

Режим работы 3

Необходимо выполнить сопряжение мобильной станции D-RTK 2 с пультом управления.

1. Включите мобильную станцию D-RTK 2, дождитесь выполнения инициализации системы и перейдите в режим работы 3.
2. Включите пульт управления. В приложении перейдите в настройки пульта управления и нажмите «Сопряжение» (Linking). Светодиодный индикатор состояния начнет мигать синим, и пульт управления подаст дважды повторяющийся звуковой сигнал, оповещающий о том, что пульт управления готов к сопряжению.
3. Нажмите кнопку сопряжения на мобильной станции D-RTK 2, и индикатор сопряжения начнет попеременно мигать красным и зеленым, указывая на выполнение процесса сопряжения.
4. Когда индикатор на пульте управления начнет непрерывно светиться зеленым, это укажет на успешное выполнение сопряжения. Индикатор сопряжения D-RTK 2 указывает текущее рабочее состояние. Подробная информация приведена в таблице ниже.

Режим работы 4


Необходимо выполнить сопряжение мобильной станции D-RTK 2 с дроном M210 RTK V2.

1. Включите дрон M210 RTK V2 и убедитесь, что он сопряжен с пультом управления.

2. Нажмите кнопку сопряжения на мобильной станции D-RTK 2, и индикатор сопряжения начнет попеременно мигать красным и зеленым, указывая на выполнение процесса сопряжения.
3. Нажмите кнопку сопряжения на дроне.
4. Подождите несколько секунд. Когда индикаторы на дроне и на пульте управления начнут непрерывно светиться зеленым, это укажет на успешное выполнение сопряжения.

Режим работы 5

При использовании M300 RTK необходимо, чтобы пульт управления был подключен к сети вещания мобильной станции D-RTK 2.

1. Включите мобильную станцию D-RTK 2, дождитесь выполнения инициализации системы и перейдите в режим работы 5.
2. Включите пульт управления. В приложении DJI Pilot перейдите в настройки RTK и установите мобильную станцию D-RTK 2 в качестве источника сигнала RTK.
3. Нажмите  справа от указателя состояния мобильной станции D-RTK 2, и поиск начнется автоматически. Выберите необходимую базовую станцию RTK в результатах поиска и дождитесь успешного подключения.

Расшифровка значений сигналов индикатора сопряжения

В начале процесса сопряжения индикатор будет попеременно мигать красным и зеленым.

По окончании процесса характер мигания индикатора будет описывать состояния, указанные ниже.

Режимы работы 1/3/4	Статус
Непрерывно горит зеленым	Качество сигнала OcuSync > 70%
Быстро мигает зеленым	Качество сигнала OcuSync 35–70%
Медленно мигает зеленым	Качество сигнала OcuSync ≤ 35%
Непрерывно горит красным	Качество сигнала OcuSync = 0
Режим работы 2	Статус
Непрерывно горит зеленым	Есть подключение к сети
Непрерывно горит красным	Нет подключения к сети
Режим работы 5	Статус
Непрерывно горит зеленым	Нормальная работа

Активация

Перед первым использованием убедитесь, что мобильная станция D-RTK 2 активирована. Активацию можно выполнить в приложении или при помощи ПО DJI ASSISTANT™ 2. В следующих описаниях в качестве примера используется приложение.

Использование с дроном Phantom 4 RTK или Agram

1. Включите мобильную станцию D-RTK 2.
2. Включите пульт управления и убедитесь, что приложение запущено.
3. В приложении перейдите в Настройки RTK, чтобы включить функцию RTK дрона. В качестве источника сигнала RTK выберите мобильную станцию D-RTK 2. При первом подключении появится сообщение с запросом на активацию. Для активации выполните шаги, указанные на экране.

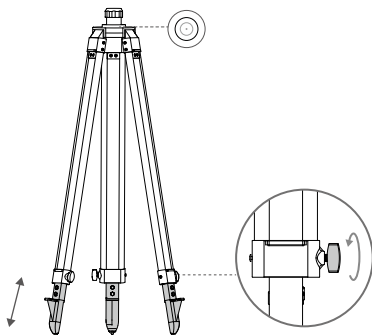
Использование с дроном M300 RTK или M210 RTK V2

Включите мобильную станцию и убедитесь, что она сопряжена с дроном или пультом управления. Запустите приложение DJI Pilot и для активации выполните шаги, указанные на экране.

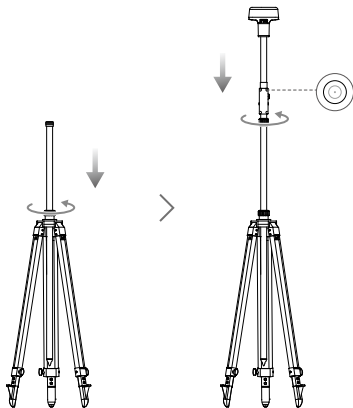
Установка

При использовании в качестве мобильной базовой станции выберите открытый участок для установки мобильной станции D-RTK 2. Отметьте положение и сопоставьте центр штатива с этой отметкой, чтобы при повторной установке мобильная станция D-RTK 2 была установлена на том же месте.

1. Разложите штатив, выдвиньте три складные ножки на необходимую длину и затем затяните каждую из трех ручек регулировки. При закреплении штатива убедитесь, что метка в пузырьковом уровне в основании крепления располагается в черном круге (если смотреть на пузырьковый уровень вертикально сверху).



2. Вставьте монопод в штатив и затяните муфту на штативе. Затем установите корпус D-RTK 2 на монопод и затяните стопорную гайку на корпусе D-RTK 2. Убедитесь, что метка в пузырьковом уровне на корпусе D-RTK 2 располагается в черном круге (если смотреть на пузырьковый уровень вертикально сверху).





- НЕ изменяйте положение или угол штатива или мобильной станции D-RTK 2 после выравнивания штатива. В противном случае регулировку придется выполнить заново.
- На участке, где установлено устройство, требуется обширное поле обзора. Убедитесь в отсутствии препятствий (деревьев, зданий и т. п.) в пределах зоны более чем 15° вверх от горизонтальной плоскости антенны D-RTK 2 во избежание поглощения или блокирования сигнала спутниковых систем позиционирования.
- Во избежание воздействия электромагнитных помех на сигналы спутниковых систем позиционирования место установки должно находиться не менее чем в 200 м от мощных источников радиоизлучения (например, телевизионных станций, микроволновых радиорелейных станций и т. п.) и не менее чем в 50 м от высоковольтных линий электропередачи.
- Во избежание эффекта многолучевого распространения место установки должно находиться на удалении от крупных водоемов или объектов, которые могут создавать сильные помехи для приема спутникового сигнала.

Использование

Доступные режимы работы изменяются в зависимости от устройств, используемых совместно с мобильной станцией D-RTK 2. Выберите подходящий режим работы в соответствии с используемым устройством и следуйте инструкциям ниже.

Инструкции

Режимы работы 1/4

1. Поднимите монопод на штативе, чтобы установить мобильную станцию D-RTK 2 на необходимую высоту, и затяните муфту.
2. Включите мобильную станцию D-RTK 2, дождитесь выполнения инициализации системы и перейдите в режим работы 1 или 4.
3. Включите пульт управления и дрона, а также убедитесь, что приложение запущено.
4. В приложении перейдите в Настройки RTK, чтобы включить функцию RTK дрона. Установите мобильную станцию D-RTK 2 в качестве источника сигнала RTK и проверьте подключение по указателю состояния. При использовании дрона P4 Multispectral нажмите «Подключение», чтобы установить соединение с базовой станцией.
5. Дождитесь, пока система начнет поиск спутников. Включите моторы, когда на значке RTK появится FIX или состояние ориентации и позиционирования дрона будет указано как FIX в таблице состояний в настройках RTK.



Если во время полета мобильная станция D-RTK 2 будет перемещена или выключена, RTK дрона переключится в режим спутниковых систем позиционирования и в дальнейшем не будет переходить в состояние RTK FIX. Перезапустите мобильную станцию D-RTK 2 после полета и дождитесь, пока она перейдет в состояние RTK FIX.

Режим работы 3

1. Включите мобильную станцию D-RTK 2, дождитесь выполнения инициализации системы и перейдите в режим работы 3.
2. Включите пульт управления и убедитесь, что приложение запущено. Убедитесь, что в главном меню указано, что портативное картографическое устройство подключено.
3. В настройках RTK выберите портативное картографическое устройство в качестве источника сигнала RTK. Убедитесь, что мобильная станция D-RTK 2, используемая в качестве портативного картографического устройства, подключена к другой мобильной станции D-RTK 2 в качестве базовой станции или сетевого сервера RTK.
4. Установите портативный RTK в качестве метода планирования операций.

Режим работы 5

1. Включите мобильную станцию D-RTK 2, дождитесь выполнения инициализации системы и перейдите в режим работы 5.
2. Убедитесь, что пульт управления подключен к сети вещания мобильной станции D-RTK 2.
3. Дождитесь, пока система начнет поиск спутников. Включите моторы, когда состояние ориентации и позиционирования дрона будет указано как FIX в таблице состояний в настройках RTK.

Расширенные настройки

Режимы работы 1/3/4

1. Перейдите в нижнюю часть Настроек RTK и нажмите «Расширенные настройки».
2. Настройки меняются в зависимости от устройств, используемых совместно с мобильной станцией D-RTK 2. Настройки включают в себя управление списком сопряженных пультов управления, а также просмотр и изменение названия устройства.
3. Введите измеренные координаты и высоту*, чтобы задать их в мобильной станции D-RTK 2 при ее использовании в качестве базовой станции.

Режим работы 5

1. Перейдите в нижнюю часть Настроек RTK и нажмите «Расширенные настройки». Введите пароль администратора, чтобы перейти к разделу конфигурации. Пароль по умолчанию: 123456.
2. Отредактируйте название мобильной станции и измените пароль.
3. Введите измеренные координаты и высоту*, чтобы задать их в мобильной станции D-RTK 2 при ее использовании в качестве базовой станции.
4. Чтобы переустановить пароль, следуйте инструкциям ниже. Нажмите и удерживайте кнопку сопряжения на мобильной станции в течение трех секунд и затем один раз нажмите кнопку режима работы. Цвет индикатора режима работы изменится с красного на зеленый, указывая, что пароль успешно переустановлен.

* Если введенные в приложение координаты отличаются более чем на 50 м (для Режимы работы 1) или на 15 м (для Режимы работы 4 или 5) от фактических координат мобильной станции D-RTK 2, они не будут импортированы. В случае перезапуска мобильной станции D-RTK 2 после того, как введенные координаты были успешно заданы, эти координаты будут использоваться, только если разница между фактическими и заданными координатами не будет превышать 5 м. В противном случае будут использоваться фактические координаты позиционирования.

Приложение

Технические характеристики

Приемник спутниковых систем позиционирования	Частота спутниковых систем позиционирования	Одновременный прием: GPS: L1, L2, L5; BeiDou: B1, B2, B3 ГЛОНАСС: F1, F2; Галилео: E1, E5A, E5B
	Точность позиционирования	Одна точка В горизонтальной плоскости: 1,5 м (ср. кв.) В вертикальной плоскости: 3 м (ср. кв.) RTK В горизонтальной плоскости: 1 см + 1 мд (ppm) (ср. кв.) В вертикальной плоскости: 2 см + 1 мд (ppm) (ср. кв.) 1 мд (ppm): При увеличении расстояния на каждый 1 км точность уменьшается на 1 мм. Например, если станция приема находится в 1 км от базовой станции, точность в горизонтальной плоскости составит 1,1 см.
	Частота обновления позиционирования	1 Гц, 2 Гц, 5 Гц, 10 Гц и 20 Гц
	Холодный запуск	< 45 с
	Горячий запуск	< 10 с
	Время восстановления данных	< 1 с
	Надежность инициализации	> 99,9%
Формат дифференциальных данных	RTCM 2.x/3.x	

	Канал связи	OcuSync, LAN, 4G, Wi-Fi
	Диапазон рабочих частот	2,4000–2,4835 ГГц, 5,725–5,850 ГГц
	ЭИИМ	OcuSync 2,4 ГГц SRRC/CE/MIC/KCC: < 20 дБм FCC/NCC: < 26 дБм 5,8 ГГц SRRC/NCC/FCC: < 26 дБм; CE: < 14 дБм Wi-Fi 2,4 ГГц SRRC/CE/MIC/KCC: < 20 дБм FCC/NCC: < 22 дБм 5,8 ГГц SRRC/NCC/FCC: < 22 дБм
	Расстояние передачи сигнала OcuSync	Режимы работы 1/3 SRRC/NCC/FCC/MIC/KCC/CE: 2 км (На открытом пространстве без источников помех, при использовании мобильной станции D-RTK 2 в качестве базовой станции и расстоянии от антенны D-RTK 2 до основания штатива 1,8 м, при разности высот между положениями пульта управления и D-RTK 2 менее 2 м, и при расстоянии от пульта управления до поверхности земли 1,2 м) Режим работы 4 Между дроном и мобильной станцией: NCC/FCC: 7 км; SRRC/MIC/KCC/CE: 5 км Между пультом управления и мобильной станцией: 200 м (На открытом пространстве без источников помех, при высоте полета около 120 м, при расстоянии от антенны D-RTK 2 до основания штатива 1,8 м, и при расстоянии от пульта управления до поверхности земли 1,2 м) Режим работы 5 NCC/FCC: 12 км; SRRC/MIC/KCC/CE: 6 км (На открытом пространстве без источников помех, при расстоянии от антенны D-RTK 2 до основания штатива 1,8 м)
	Объем памяти	16 ГБ
Модуль IMU	Функции	Встроенный высокоточный 6-осевой акселерометр Отслеживание движения D-RTK 2 Измерение наклона Электронный уровень
Электрические характеристики	Потребляемая мощность	12 Вт
	Питание	16,5–58,8 В постоянного тока
	Аккумулятор	Тип: Литий-ионный аккумулятор Емкость: 4920 мАч Энергия: 37,3 Вт·ч
	Время работы	Аккумулятор WB37: > 2 ч
Физические характеристики	Размеры (корпус D-RTK 2 с моноподом)	168 × 168 × 1708 мм
	Степень защиты	IP65
Диапазон рабочих температур		–20...+55 °С

Обновление программного обеспечения (ПО)

Обновление ПО D-RTK 2 в программе DJI Assistant 2 или в приложении*. В инструкциях ниже в качестве примера используется программа DJI Assistant 2.

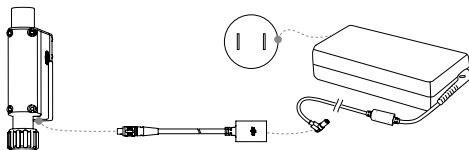
1. Включите мобильную станцию D-RTK 2.
2. Подключите мобильную станцию D-RTK 2 к компьютеру кабелем USB-C.
3. Запустите DJI Assistant 2 и войдите в учетную запись DJI.
4. Выберите D-RTK 2 и затем щелкните на ярлыке обновления ПО.
5. Выберите необходимую версию ПО.
6. Программа DJI Assistant 2 автоматически выполнит загрузку и обновление ПО.

* Необходима версия приложения с поддержкой обновления ПО.

Использование комплектующих

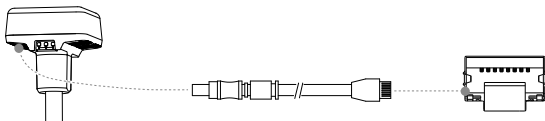
Кабель для сетевого адаптера

Подключите кабель для сетевого адаптера к порту для внешнего питания, после чего подключите сетевой адаптер к розетке (100–240 В, 50/60 Гц) сетевым кабелем.



Кабель LAN

Кабель LAN служит для доступа к сети общего пользования.



Обеспечивайте соблюдение местных законов и нормативных актов при передаче информации спутниковой системы позиционирования в сеть общего доступа.

В содержание данного документа могут быть внесены изменения.

Актуальную версию документа можно скачать с сайта
<http://www.dji.com/d-rtk-2>

Compliance Information

FCC Compliance Notice

This device complies with Part 15 of the FCC Rules. Operation is subject to the following two conditions: (1) This device may not cause harmful interference, and (2) This device must accept any interference received, including interference that may cause undesired operation.

Any changes or modifications not expressly approved by the party responsible for compliance could void the user's authority to operate the equipment.

This equipment has been tested and found to comply with the limits for a Class B digital device, pursuant to part 15 of the FCC Rules. These limits are designed to provide reasonable protection against harmful interference in a residential installation. This equipment generates, uses and can radiate radio frequency energy and, if not installed and used in accordance with the instructions, may cause harmful interference to radio communications. However, there is no guarantee that interference will not occur in a particular installation. If this equipment does cause harmful interference to radio or television reception, which can be determined by turning the equipment off and on, the user is encouraged to try to correct the interference by one or more of the following measures:

- Reorient or relocate the receiving antenna.
- Increase the separation between the equipment and receiver.
- Connect the equipment into an outlet on a circuit different from that to which the receiver is connected.
- Consult the dealer or an experienced radio/TV technician for help.

RF Exposure Information

This equipment complies with FCC radiation exposure limits set forth for an uncontrolled environment. In order to avoid the possibility of exceeding the FCC radio frequency exposure limits, human proximity to the antenna shall not be less than 20cm during normal operation.

ISED Warning

This device contains licence-exempt transmitter(s)/receiver(s) that comply with Innovation, Science and Economic Development Canada's licence-exempt RSS(s). Operation is subject to the following two conditions: (1) This device may not cause interference. (2) This device must accept any interference, including interference that may cause undesired operation of the device.

L'émetteur/récepteur exempt de licence contenu dans le présent appareil est conforme aux CNR d'Innovation, Sciences et Développement économique Canada applicables aux appareils radio exempts de licence. L'exploitation est autorisée aux deux conditions suivantes : (1) L'appareil ne doit pas produire de brouillage; (2) L'appareil doit accepter tout brouillage radioélectrique subi, même si le brouillage est susceptible d'en compromettre le fonctionnement.

This equipment complies with RSS-102 radiation exposure limits set forth for an uncontrolled environment. This equipment should be installed and operated with minimum distance 20cm between the radiator and your body. This transmitter must not be co-located or operating in conjunction with any other antenna or transmitter.

Cet équipement est conforme aux limites d'exposition aux radiations CNR-102 établies pour un environnement non contrôlé. Cet équipement doit être installé et utilisé avec une distance minimale de 20 cm entre le radiateur et votre corps.

KCC Warning Message

"해당무선설비는 운용 중 전파혼신 가능성이 있으므로 인명안전과 관련된 서비스는 할 수 없습니다."

"해당 무선설비는 운용 중 전파혼신 가능성이 있음"

NCC Warning Message

低功率電波輻射性電機管理辦法

第十二條 經型式認證合格之低功率射頻電機，非經許可，公司、商號或使用者均不得擅自變更頻率、加大功率或變更原設計之特性及功能。

第十四條 低功率射頻電機之使用不得影響飛航安全及干擾合法通信；經發現有干擾現象時，應改善至無干擾時方得繼續使用。前項合法通信，指依電信法規定作業之無線電通信。低功率射頻電機須忍受合法通信或工業、科學及醫療用電波輻射性電機設備之干擾。

EU Compliance Statement: SZ DJI TECHNOLOGY CO., LTD. hereby declares that this device is in compliance with the essential requirements and other relevant provisions of the Directive 2014/53/EU.

A copy of the EU Declaration of Conformity is available online at www.dji.com/euro-compliance

EU contact address: DJI GmbH, Industriestrasse 12, 97618, Niederlauer, Germany

Declaración de cumplimiento UE: SZ DJI TECHNOLOGY CO., LTD. por la presente declara que este dispositivo cumple los requisitos básicos y el resto de provisiones relevantes de la Directiva 2014/53/EU.

Hay disponible online una copia de la Declaración de conformidad UE en www.dji.com/euro-compliance

Dirección de contacto de la UE: DJI GmbH, Industriestrasse 12, 97618, Niederlauer, Germany

EU-verklaring van overeenstemming: SZ DJI TECHNOLOGY CO., LTD. verklaart hierbij dat dit apparaat voldoet aan de essentiële vereisten en andere relevante bepalingen van Richtlijn 2014/53/EU.

De EU-verklaring van overeenstemming is online beschikbaar op www.dji.com/euro-compliance

Contactadres EU: DJI GmbH, Industriestrasse 12, 97618, Niederlauer, Germany

Declaração de conformidade da UE: A SZ DJI TECHNOLOGY CO., LTD. declara, através deste documento, que este dispositivo está em conformidade com os requisitos essenciais e outras disposições relevantes da Diretiva 2014/53/EU.

Existe uma cópia da Declaração de conformidade da UE disponível online em www.dji.com/euro-compliance

Endereço de contacto na UE: DJI GmbH, Industriestrasse 12, 97618, Niederlauer, Germany

Dichiarazione di conformità UE: SZ DJI TECHNOLOGY CO., LTD. dichiara che il presente dispositivo è conforme ai requisiti essenziali e alle altre disposizioni rilevanti della direttiva 2014/53/EU.

Una copia della dichiarazione di conformità UE è disponibile online all'indirizzo Web www.dji.com/euro-compliance

Indirizzo di contatto UE: DJI GmbH, Industriestrasse 12, 97618, Niederlauer, Germany

Déclaration de conformité UE: Par la présente, SZ DJI TECHNOLOGY CO., LTD déclare que cet appareil est conforme aux principales exigences et autres clauses pertinentes de la directive européenne 2014/53/EU.

Une copie de la déclaration de conformité UE est disponible sur le site www.dji.com/euro-compliance

Adresse de contact pour l'UE : DJI GmbH, Industriestrasse 12, 97618, Niederlauer, Germany

EU-Compliance: Hiermit erklärt SZ DJI TECHNOLOGY CO., LTD., dass dieses Gerät den wesentlichen Anforderungen und anderen einschlägigen Bestimmungen der EU-Richtlinie 2014/53/EU entspricht.

Eine Kopie der EU-Konformitätserklärung finden Sie online auf www.dji.com/euro-compliance.

Kontaktadresse innerhalb der EU: DJI GmbH, Industriestrasse 12, 97618, Niederlauer, Germany

Декларация за съответствие на ЕС: SZ DJI Technology Co., Ltd. декларира, че това устройство отговаря на основните изисквания и другите приложими разпоредби на Директива 2014/53/ЕС.

Копие от Декларацията за съответствие на ЕС ще намерите онлайн на адрес www.dji.com/euro-compliance

Адрес за контакт за ЕС: DJI GmbH, Industriestrasse 12, 97618, Niederlauer, Германия

Prohlášení o shodě pro EU: Společnost SZ DJI Technology Co., Ltd. tímto prohlašuje, že tohle zařízení vyhovuje základním požadavkům a dalším příslušným ustanovením směrnice 2014/53/EU.

Kopie prohlášení o shodě pro EU je k dispozici on-line na webu www.dji.com/euro-compliance

Kontaktní adresa v EU: DJI GmbH, Industriestrasse 12, 97618, Niederlauer, Německo

EU-overensstemmelseserklæring: SZ DJI Technology Co., Ltd. erklærer hermed, at denne enhed er i overensstemmelse med de væsentlige krav og andre relevante bestemmelser i direktiv 2014/53/EU.

Der er en kopi af EU-overensstemmelseserklæringen tilgængelig online på www.dji.com/euro-compliance

EU-kontaktadresse: DJI GmbH, Industriestrasse 12, 97618, Niederlauer, Tyskland

Δήλωση Συμμόρφωσης ΕΕ: Η SZ DJI Technology Co., Ltd. δια του παρόντος δηλώνει ότι η συσκευή αυτή συμμορφώνεται με τις βασικές απαιτήσεις και άλλες σχετικές διατάξεις της Οδηγίας 2014/53/ΕΕ.

Αντίγραφο της Δήλωσης Συμμόρφωσης ΕΕ διατίθεται ηλεκτρονικά στη διεύθυνση www.dji.com/euro-compliance

Διεύθυνση επικοινωνίας στην ΕΕ: DJI GmbH, Industriestrasse 12, 97618, Niederlauer, Γερμανία

ELi vastavuskinnitus Käesolevaga teatab SZ DJI Technology Co., Ltd., et see seade on kooskõlas direktiivi 2014/53/EL oluliste nõuete ja muude asjakohaste sätetega.

ELi vastavusdeklaratsiooni koopia on kättesaadav veebis aadressil www.dji.com/euro-compliance

Kontaktiaadress ELis: DJI GmbH, Industriestrasse 12, 97618, Niederlauer, Saksamaa

Pranešimas dėl atitikties ES reikalavimams Bendrovė „SZ DJI Technology Co., Ltd.“ tvirtina, kad šis prietaisas atitinka pagrindinius 2014/53/ES direktyvos reikalavimus ir kitas susijusias nuostatas.

ES atitikties deklaracijos kopiją galite rasti adresu www.dji.com/euro-compliance

ES kontaktinis adresas: „DJI GmbH“, Industriestrasse 12, 97618, Niederlauer, Germany (Vokietija)

ES atbilstības paziņojums: SZ DJI Technology Co., Ltd ar šo apliecina, ka šī ierīce atbilst direktīvas 2014/53/ES pamatprasībām un pārējiem būtiskiem nosacījumiem.

ES atbilstības deklarācijas kopija pieejama tiešsaistē vietnē www.dji.com/euro-compliance

ES kontaktdrešure: DJI GmbH, Industriestrasse 12, 97618, Niederlauer, Vācija

EU:n vaatimustenmukaisuusvakuutus: SZ DJI Technology Co., Ltd. ilmoittaa täten, että tämä laite on direktiivin 2014/53/EU olennaisten vaatimusten ja sen muiden asiaankuuluvien ehtojen mukainen.

Kopio EU:n vaatimustenmukaisuusvakuutuksesta on saatavana verkossa osoitteessa www.dji.com/euro-compliance

Yhteystiedot EU:ssa: DJI GmbH, Industriestrasse 12, 97618, Niederlauer, Germany

RÁITEAS Comhlíonta an AE: Dearbhaíonn SZ DJI Technology Co., Ltd. leis seo go bhfuil an gléas seo de réir na gceanglas riachtanach agus na bhforálacha ábhartha eile sa Treoir 2014/53/AE.

Tá cóip de Dhearbhú Comhréireachta an AE ar fáil ar líne ag www.dji.com/euro-compliance

Seoladh teagmhála san AE: DJI GmbH, Industriestrasse 12, 97618, Niederlauer, Germany

Dikjarazzjoni ta' Konformità tal-UE: SZ DJI Technology Co., Ltd. hawnhekk tidjikkjara li dan l-apparat huwa konformi mar-rekwiżiti essenzzjali u ma' dispożizzjonijiet relevanti oħra tad-Direttiva 2014/53/EU. Kopja tad-Dikjarazzjoni ta' Konformità tal-UE hija disponibbli onlajn fis-sit www.dji.com/euro-compliance
Indirizz ta' kuntatt tal-UE: DJI GmbH, Industriestrasse 12, 97618, Niederlauer, il-Ġermanja

Declarăția UE de conformitate: Prin prezenta, SZ DJI Technology Co., Ltd. declară faptul că acest dispozitiv este conform cu cerințele esențiale și celelalte prevederi relevante ale Directivei 2014/53/EU.
Un exemplar al Declarației UE de conformitate este disponibil online, la adresa www.dji.com/euro-compliance
Adresa de contact pentru UE: DJI GmbH, Industriestrasse 12, 97618, Niederlauer, Germania

Izjava EU o skladnosti: Družba SZ DJI Technology Co., Ltd. izjavlja, da ta naprava ustreza osnovnim zahtevam in drugim ustreznim določbam Direktive 2014/53/EU.
Kopija izjave EU o skladnosti je na voljo na spletu nawww.dji.com/euro-compliance
Kontaktni naslov EU: DJI GmbH, Industriestrasse 12, 97618, Niederlauer, Nemčija

EU Izjava o skladnosti: Tvrtka SZ DJI Technology Co. Ltd. izjavljuje da je ovaj uređaj izrađen u skladu s osnovnim zahtjevima i ostalim relevantnim odredbama Direktive 2014/53/EU.
Kopija EU Izjave o skladnosti dostupna je na mrežnoj stranici www.dji.com/euro-compliance
Adresa EU kontakta: DJI GmbH, Industriestrasse 12 97618, Niederlauer, Njemačka

Vyhlasenie o zhode EÚ: SZ DJI Technology Co., Ltd. týmto vyhlasuje, že toto zariadenie je v zhode so základnými požiadavkami a ďalšími relevantnými ustanoveniami smernice 2014/53/EÚ.
Kópia tohto Vyhlasenia o zhode EÚ je k dispozícii online na www.dji.com/euro-compliance
Kontaktná adresa v EÚ: DJI GmbH, Industriestrasse 12, 97618, Niederlauer, Nemecko

Deklaracja zgodności UE: Firma SZ DJI Technology Co., Ltd. niniejszym oświadcza, że przedmiotowe urządzenie jest zgodne z zasadniczymi wymogami i innymi stosownymi postanowieniami dyrektywy 2014/53/EU.
Kopię deklaracji zgodności UE można znaleźć w Internecie na stronie www.dji.com/euro-compliance
Adres do kontaktu w UE: DJI GmbH, Industriestrasse 12, 97618, Niederlauer, Niemcy

EU megfeleléségi nyilatkozat: A DJI Technology Co., Ltd. ezúton megerősíti, hogy ez az eszköz megfelel a 2014/53/EU Irányelv alapvető követelményeinek és más vonatkozó rendelkezéseinek.
Az EU megfeleléségi nyilatkozat másolata elérhető a www.dji.com/euro-compliance oldalon
EU kapcsolati cím: DJI GmbH, Industriestrasse 12, 97618, Niederlauer, Németország

EU-försäkran om efterlevnad: SZ DJI Technology Co., Ltd. härmed förklarar att denna enhet uppfyller de väsentliga kraven och andra relevanta bestämmelser i direktivet 2014/53/EU.
En kopia av EU-försäkran om efterlevnad finns att tillgå online på adressen www.dji.com/euro-compliance
Kontaktadress EU: DJI GmbH, Industriestrasse 12, 97618, Niederlauer, Tyskland

Yfirlýsing um fylgni við reglur ESB: SZ DJI Technology Co., Ltd. lýsir hér með yfir að þetta tæki hlíti mikilvægum kröfum og öðrum viðeigandi ákvæðum tilskipunar 2014/53/ESB.
Nálágast má eintak af ESB-samræmisyfirlýsingunni á netinu á www.dji.com/euro-compliance
Heimilisfang ESB-tengiliðar: DJI GmbH, Industriestrasse 12, 97618, Niederlauer, Germany

AB Uygunluk Beyanı: SZ DJI Technology Co., Ltd. bu belge ile bu cihazın temel gerekliliklere ve 2014/53/EU sayılı Direktifin diğer ilgili hükümlerine uygun olduğunu beyan eder.
AB Uygunluk Beyanının bir kopyasına www.dji.com/euro-compliance adresinden çevrim içi olarak ulaşılabilir
AB için iletişim adresi: DJI GmbH, Industriestrasse 12, 97618, Niederlauer, Almanya



CAUTION: RISK OF EXPLOSION IF BATTERY IS REPLACED BY AN INCORRECT TYPE. DISPOSE OF USED BATTERIES ACCORDING TO THE INSTRUCTIONS

Environmentally friendly disposal

Old electrical appliances must not be disposed of together with the residual waste, but have to be disposed of separately. The disposal at the communal collecting point via private persons is for free. The owner of old appliances is responsible to bring the appliances to these collecting points or to similar collection points. With this little personal effort, you contribute to recycle valuable raw materials and the treatment of toxic substances.

Umweltfreundliche Entsorgung

Elektro-Altgeräte dürfen nicht mit gewöhnlichem Abfall entsorgt werden und müssen separat entsorgt werden. Die Entsorgung an kommunalen Sammelstellen ist für Privatpersonen kostenlos. Die Eigentümer der Altgeräte sind für den Transport zu den Sammelstellen verantwortlich. Durch diesen geringen Aufwand können Sie zur Wiederverwertung von wertvollen Rohmaterialien beitragen und dafür sorgen, dass umweltschädliche und giftige Substanzen ordnungsgemäß unschädlich gemacht werden.

Tratamiento de residuos responsable con el medio ambiente

Los aparatos eléctricos viejos no pueden desecharse junto con los residuos orgánicos, sino que deben ser desechados por separado. Existen puntos limpios donde los ciudadanos pueden dejar estos aparatos gratis. El propietario de los aparatos viejos es responsable de llevarlos a estos puntos limpios o similares puntos de recogida. Con este pequeño esfuerzo estás contribuyendo a reciclar valiosas materias primas y al tratamiento de residuos tóxicos.

Mise au rebut écologique

Les appareils électriques usagés ne doivent pas être éliminés avec les déchets résiduels. Ils doivent être éliminés séparément. La mise au rebut au point de collecte municipal par l'intermédiaire de particuliers est gratuite. Il incombe au propriétaire des appareils usagés de les apporter à ces points de collecte ou à des points de collecte similaires. Avec ce petit effort personnel, vous contribuez au recyclage de matières premières précieuses et au traitement des substances toxiques.

Smaltimento ecologico

I vecchi dispositivi elettrici non devono essere smaltiti insieme ai rifiuti residui, ma devono essere smaltiti separatamente. Lo smaltimento da parte di soggetti privati presso i punti di raccolta pubblici è gratis. È responsabilità del proprietario dei vecchi dispositivi portarli presso tali punti di raccolta o punti di raccolta analoghi. Grazie a questo piccolo impegno personale contribuirete al riciclo di materie prime preziose e al corretto trattamento di sostanze tossiche.

Milieuvriendelijk afvoeren

Oude elektrische apparaten mogen niet worden weggegooid samen met het restafval, maar moeten afzonderlijk worden afgevoerd. Afvoeren via het gemeentelijke inzamelpunt is gratis voor particulieren. De eigenaar van oude toestellen is verantwoordelijk voor het inleveren van de apparaten op deze of vergelijkbare inzamel punten. Met deze kleine persoonlijke inspanning lever je een bijdrage aan de recycling van waardevolle grondstoffen en de verwerking van giftige stoffen.

Eliminação ecológica

Os aparelhos elétricos antigos não podem ser eliminados juntamente com os materiais residuais. Têm de ser eliminados separadamente. A eliminação no ponto de recolha público através de entidades particulares é gratuita. É da responsabilidade do proprietário de aparelhos antigos levá-los a estes pontos de recolha ou a pontos de recolha semelhantes. Com este pequeno esforço pessoal, contribui para a reciclagem de matérias-primas úteis e para o tratamento de substâncias tóxicas.

Изхвърляне с оглед опазване на околната среда

Старите електрически уреди не трябва да се изхвърлят заедно с битовите отпадъци, а отделно. Изхвърлянето в общинския пункт за събиране на отпадъци от частни лица е безплатно. Собственикът на старите уреди е отговорен за пренасянето на уредите до тези или до подобни събирателни пунктове. С това малко собствено усилие допринасяте за рециклирането на ценни суровини и за обработката на токсични вещества.

Ekologicky šetrná likvidace

Stará elektrická zařízení nesmějí být likvidována spolu se zbytkovým odpadem, ale musí být likvidována samostatně. Likvidace na komunálních sběrných místech prostřednictvím soukromých osob je bezplatná. Vlastník starých zařízení odpovídá za to, že je donese do těchto sběrných míst nebo na obdobná sběrná místa. Timto můžete přispět k recyklaci hodnotných surovin a zpracování toxických látek.

Miljøvenlig bortskaffelse

Gamle elektriske apparater må ikke bortskaffes sammen med restaffald, men skal bortskaffes separat. Bortskaffelse på et fælles indsamlingssted er gratis for privatpersoner. Ejere af gamle apparater er ansvarlige for at bringe apparater hen til disse indsamlingssteder eller til lignende indsamlingssteder. Med denne lille personlige indsats bidrager du til genanvendelse af værdifulde råvarer og behandlingen af giftige stoffer.

Απόρριψη φιλική προς το περιβάλλον

Οι παλιές ηλεκτρικές συσκευές δεν πρέπει να απορρίπτονται μαζί με τα υπολειμματικά απόβλητα, αλλά ξεχωριστά. Η απόρριψη στο δημοτικό σημείο συλλογής μέσω ιδιωτών γίνεται χωρίς χρέωση. Ο κάτοχος παλιών συσκευών είναι υπεύθυνος για τη μεταφορά των συσκευών σε αυτά ή παρόμοια σημεία συλλογής. Μέσω της ατομικής σας προσπάθειας, συμβάλλετε στην ανακύκλωση πολύτιμων πρώτων υλών και την επεξεργασία των τοξικών υαίων.

Keskonnasäästlik kasutuselt kõrvaldamine

Vanu elektriseadmeid ei tohi ära visata koos olmejäätmetega, vaid tuleb koguda ja kasutuselt kõrvaldada eraldi. Kohaliku omavalitsuse elektroonikaromude kogumispunktis on äraandmine eraisikutele tasuta. Vanade seadmete sellistesse või sarnastesse kogumispunktidesse toimetamise eest vastutavad seadmete omanikud. Selle väikese isikliku panusega aitate kaasa väärtusliku toorme ringlussevõtule ja mürgiste ainete töötlemisele.

Utilizavimas nekenkiant aplinkai

Senų elektrinių prietaisų negalima išmesti kartu su buitinėmis atliekomis; juos būtina utilizuoti atskirai. Tokių prietaisų utilizavimas per komunalinius atliekų surinkimo punktus yra nemokamas. Elektrinių prietaisų savininkai utilizuojamus prietaisus privalo priduoti į atitinkamus arba analogiškus atliekų surinkimo punktus. Tokiu būdu, įdėdami nedaug pastangų, prisidėsite prie vertingų medžiagų perdavimo ir aplinkos apsaugojimo nuo toksinių medžiagų.

Videi draudzīga atkritumu likvidēšana

Vecas elektriskās ierīces nedrīkst likvidēt kopā ar pārējiem atkritumiem, bet tās jālikvidē atsevišķi. Privatpersonām atkritumu likvidēšana komunālajā savākšanas punktā ir bez maksas. Veco ierīču īpašnieks ir atbildīgs par ierīču nogādāšanu šajos savākšanas punktos vai līdzīgos savākšanas punktos. Ar šīm nelielām personiskajām pūlēm jūs veicināt vērtīgu izejmateriālu pārstrādi un toksisko vielu apstrādi.

Hävitämäinen ympäristöstävällisesti

Vanhvoja sähkölaitteita ei saa hävittää kaatopaikkajätteen mukana, vaan ne on hävitettävä erikseen. Kunnalliseen keräyspisteeseen vieminen on yksityishenkilölle ilmaista. Vanhjojen laitteiden omistaja vastaa laitteiden toimittamisesta kyseisiin keräyspisteisiin tai vastaaviin. Tällä väheisellä henkilökohtaisella vaivalla edistät omalta osaltasi arvokkaiden raaka-aineen kierrätystä ja myrkyllisten aineiden käsittelyä.

Diúscairt neamhdhiobháilach don chomhshaoil

Níor cheart seanghléasanna leictreacha a dhiúscairt leis an dramhaill iarmharach, ach caithefear iad a chur de lámh astu féin. Tá an diúscairt ag an ionad bailiúcháin pobail ag daoine príobháideacha saor in aisce. Tá freagracht ar úinéir seanghléasanna na gléasanna a thabhairt chuig na hionaid bhailiúcháin sin nó chuig ionaid bhailiúcháin den chineál céanna. Le hiarracht bheag phearsanta mar sin, cuidíonn tú le hamhábhair luachmhara a athchúrsáil agus le substaintí tocsaineacha a chóireáil

Rimi li jirispetta l-ambjent

L-apparat eletriku qadim ma g'handux jintrema flimkien ma' skart residwu, izda ghandu jintrema b'mod separat. Ir-rimi fil-post tal-ġbir komunalni minn persuni privati huwa b'xejn. Is-sit ta' apparat qadim huwa responsabbli biex iġib l-apparat f'dawn il-postijiet tal-ġbir jew f'postijiet tal-ġbir simili. B'dan l-isforz personali zghir, inti tikkontribwixxi g'har-riċklagg' ta' materja prima prezzjuza u g'hat-trattament ta' sustanzi tossiċi.

Eliminarea ecologică

Aparatele electrice vechi nu trebuie aruncate odată cu deșeurile reziduale, ci trebuie eliminate separat. Eliminarea în cadrul punctului de colectare local de către persoane fizice este gratuită. Proprietarii de aparate vechi sunt responsabili pentru transportul acestora la respectivele puncte de colectare sau la alte puncte de colectare similare. Prin acest efort personal nesemnificativ, puteți contribui la reciclarea materialelor prime valoroase și la tratarea substanțelor toxice.

Okolju prijazno odlaganje

Starih električnih aparatov ne smete odvreči skupaj z ostanke odpadkov, temveč ločeno. Odlaganje na komunalnem zbirnem mestu je za fizične osebe brezplačno. Lastnik starih naprav je odgovoren, da jih pripelje do teh ali podobnih zbirnih mest. S tako malo osebnega truda prispevate k recikliranju dragocenih surovin in obdelavi strupenih snovi.

Ekološko odlaganje

Stari električni uređaji ne smiju se odlagati zajedno s kućnim otpadom, već ih treba odlagati odvojeno. Odlaganje na komunalnom sabornom mjestu od strane privatnih osoba je besplatno. Vlasnik starih uređaja dužan je donijeti uređaje do tih sabirnih mjesta ili sličnih sabirnih mjesta. Ovim malim osobnim naporom doprinosite recikliranju vrijednih sirovina i pravilnoj obradi otrovnih tvari.

Ekologická likvidácia

Staré elektrospotrebiče sa nesmú likvidovať spolu so zvyčtovým odpadom, ale musia sa zlikvidovať samostatne. Likvidácia v komunálnom zbernom mieste prostredníctvom súkromných osôb je bezplatná. Majiteľ starých spotrebičov je zodpovedný za prinesenie spotrebičov na tieto zberné miesta alebo na podobné zberné miesta. Týmto malým osobným úsilím prispievate k recyklovaniu cenných surovín a spracovaniu toxických látok.

Utylizacja przyjazna dla środowiska

Nie można usuwać starych urządzeń elektrycznych wraz z pozostałymi odpadami. Wymagają one oddzielnej utylizacji. Utylizacja przez osoby prywatne w punkcie zbiórki odpadów komunalnych jest darmowa. Właściciel starych urządzeń jest odpowiedzialny za dostarczenie ich do takich lub podobnych punktów zbiórki. Zadając sobie tak niewielki trud, przyczyniasz się do recyklingu cennych surowców i odpowiedniego postępowania z substancjami toksycznymi.

Környezetbarát hulladékkezelés

A régi elektromos készülékeket nem szabad a nem szelektíven gyűjtött hulladékkal együtt kidobni, hanem a hulladékkezelésüket elkülönítve kell végezni. A közösségi gyűjtőpontokon a magánszemélyek ingyenesen leadhatják ezeket. A régi készülékek tulajdonosai felelnek azért, hogy a készülékeket ezekre a gyűjtőpontokra, vagy más gyűjtőpontokra elhozzák. Ezzel a kis személyes erőfeszítéssel Ön is hozzájárul az értékes nyersanyagok újrahasznosításához és a mérgező anyagok kezeléséhez.

Miljövänlig hantering av avfall

Gamla elektriska apparater får inte kasseras tillsammans med restavfallet utan måste kasseras separat. Kassering på den lokala insamlingsplatsen för privatpersoner är gratis. Ägaren av gamla apparater ansvarar för att ta apparaterna till dessa insamlingsplatser eller till liknande insamlingsplatser. Med denna lilla personliga insats bidrar du till återvinning av värdefulla råvaror och hantering av giftiga ämnen.

Umhverfisvæn förgun

Ekki má farga gömlum raftækjum með úrgangsléifum, heldur þarf að farga þeim sérstaklega. Förgun á almennum söfnunarstöðum er ókeypis fyrir einstaklinga. Eigandi gamalla tækja ber ábyrgð á að koma með tækin á þessa söfnunarstaði eða á svipaða söfnunarstaði. Með þessu litla persónulega átaki stuðlar þú að endurvinnslu verðmætra hráefna og meðferð eitrufræna.

Çevre dostu bertaraf

Eski elektrikli cihazlar, diğer atiklarla birlikte bertaraf edilmemeli, ayrıca atılmamalıdır. Özel kişiler aracılığıyla genel toplama noktasına bertaraf işlemi ücretsiz olarak yapılmaktadır. Eski cihazların sahibi, cihazları bu toplama noktalarına veya benzer toplama noktalarına getirmekten sorumludur. Bu az miktardaki kişisel çabayla, değerli ham maddelerin geri dönüştürülmesine ve toksik maddelerin işleme alınmasına katkıda bulunmuş olursunuz.

Thailand Warning message

เครื่องโทรคมนาคมและอุปกรณ์นี้ มีความสอดคล้องตามข้อกำหนดของ กทท.

Mexico Warning message

"La operación de este equipo está sujeta a las siguientes dos condiciones: (1) es posible que este equipo o dispositivo no cause interferencia perjudicial y (2) este equipo o dispositivo debe aceptar cualquier interferencia, incluyendo la que pueda causar su operación no deseada."

Brazil Warning message

Este equipamento opera em caráter secundário, isto é, não tem direito a proteção contra interferência prejudicial, mesmo de estações do mesmo tipo, e não pode causar interferência a sistemas operando em caráter primário.

部件名称	有害物质					
	铅 (Pb)	汞 (Hg)	镉 (Cd)	六价铬 (Cr ⁶⁺)	多溴联苯 (PBB)	多溴二苯醚 (PBDE)
线路板	×	○	○	○	○	○
外壳	×	○	○	○	○	○
金属部件 (铜合金)	×	○	○	○	○	○
内部线材	×	○	○	○	○	○
其他配件	×	○	○	○	○	○

本表格依据 SJ/T 11364 的规定编制。
○：表示该有害物质在该部件所有均质材料中的含量均在 GB/T 26572 规定的限量要求以下。
×：表示该有害物质至少在该部件的某一均质材料中的含量超出 GB/T 26572 规定的限量要求。
(产品符合欧盟 ROHS 指令环保要求)

DJI Support
DJI 技术支持
DJI 技術支援
DJI サポート
DJI 고객지원
DJI Support
Asistencia técnica de DJI
Assistance DJI
Assistenza DJI
DJI-ondersteuning
Assistência da DJI
Suporte DJI
Техническая поддержка DJI
<http://www.dji.com/support>

D-RTK is a trademark of DJI.
Copyright © 2020 DJI All Rights Reserved.

D-RTK 是大疆创新的商标。
Copyright © 2020 大疆创新 版权所有

If you have any questions about this document, please contact
DJI by sending a message to **DocSupport@dji.com**.

如果您对说明书有任何疑问或建议，请通过以下电子邮箱联系我们：
DocSupport@dji.com。

Printed in China.



3GMDTGSM02